

Wood Chipper

PC-3300-PEC



Unique and versatile machine

Fransgård's PC-3300-PEC wood chipper is crane-ready and designed to process logs up to Ø33 cm. It can be equipped with the patented 360° screen.



Key Features

Wide range of other machines.

Read more at www.fransgard.dk



Reinforced backplate for bearing housing

The bearing housing is protected by an extra reinforced backplate.



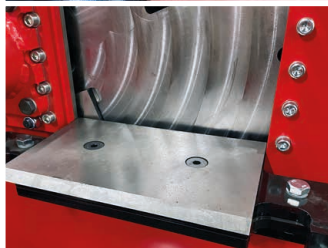
Feed rollers

The feed system consists of two horizontal feed rollers, ensuring robust construction and optimal grip on the logs. The feed speed is steplessly adjustable, allowing smooth and controlled feeding into the chipper.



Remote control

Can be operated directly from its position – either in the tractor or attached to the included belt.



Heavy-duty counter blade

The counter blade in the base holds the material in place to produce uniformly sized chips. Made of extra-hardened steel, it is easy to replace when worn.



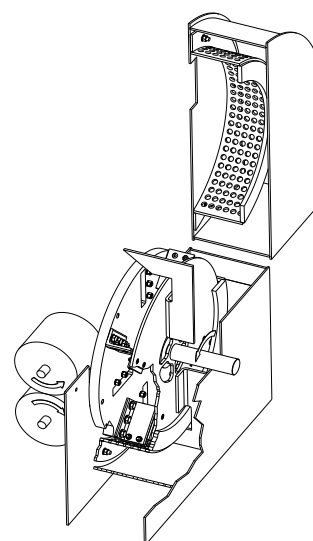
Integrated valve

The machine is equipped with a complete valve that includes both flow control and pressure relief. This ensures consistent hydraulic pressure to the feed rollers.



Hydraulically adjustable chute and top flap

Both the chute and top flap are hydraulically controlled via the tractor's hydraulics, allowing precise adjustment of chip discharge direction.



Patented system for high-quality wood chips:

Thanks to the patented 360° console, the PC-3300-PEC pellet wood chipper produces uniform **PC-FLIS®** without splinters or clumps. **PC-FLIS®** stands for high-quality wood chips with a homogeneous structure and no oversized particles.

Only chips produced with a **PC pellet wood chipper** may be referred to as **PC-FLIS®**.

PC-FLIS® is ideal for heating systems, as splinter- and clump-free chips reduce the risk of blockages in auger systems. This provides a reliable, cost-effective and environmentally friendly alternative to wood pellets.

The combination of knife settings and console size allows precise control of the chip fraction. The pellet wood chipper can therefore be configured for different applications – for example **PC-FLIS®** as high-quality animal bedding without sharp residues. The flexible setup provides a wide range of applications.

Technical Data

Specification	PC-3300-PEC
Type	Pellet chipper with 360° screen
Max. wood diameter	Ø33 cm
PTO speed	540 / 1,000 RPM
Power requirement at 540 RPM	Max. 90 kW / 120 hp
Power requirement at 1,000 RPM	Max. 186 kW / 250 hp
Main shaft spline	1 3/4" x Z6
Weight	1.750 kg
Mounting	3-point hitch for tractor
Hydraulic supply	From tractor
Number of feed rollers	2
Feed roller torque	Up to 2,130 Nm
Rotor weight (total)	Approx. 380 kg
Capacity (*)	50-100 m ³ per hour
Crane mounting option	Yes
Rotation guard	Yes, standard

* Capacity depends on knife settings, available engine power, wood quality, and rotor speed.

Made in Denmark

A strong combination of modern production equipment — including laser cutting — and skilled craftsmanship ensures that our products meet the highest standards for durable and reliable machinery. Since all machines are developed, produced and assembled at our own factory in Denmark, we can quickly adapt production to customer requirements.

This provides a high level of flexibility that our customers have appreciated for many years. With in-house production, we maintain full control over each order, ensuring that the correct machine is delivered on time.

That's Danish efficiency and quality at its best.

Dealer:

Manufacturer:

Fransgård Maskinfabrik A/S
Fredbjergvej 132 · dk-9640 Farsø
T: +45 98 63 21 22
www.fransgard.dk

 **Fransgård**