

Wood Chipper

PC-2700-PEC



Unique and flexible machine

Fransgård Machinery Factory's wood chipper PC-2700-PEC, prepared for crane mounting, is designed for chipping logs up to Ø27 cm and equipped with the patented 360° console with holes.

Valuable details



Robust main rotor

The total rotor weight of approximately 380 kg ensures smooth operation. The rotor's inertia helps chip the wood without the tractor's power being crucial.



Horizontal feed

The feed consists of two horizontally positioned feed rollers, providing the strongest construction and the best wood retention. The adjustable feed speed for introducing wood into the chipper can be continuously set to achieve a more even and customized operation.



Remote control of feed rollers and rotation guard

The direction of the rollers can be reversed (in/out) and started and stopped using remote control. The chipper comes standard with a rotation guard to ensure sufficient revolutions for wood chipping.



Counter Blade, Bottom

The bottom counter blade acts as a support for the material, ensuring that the chips are cut to the desired size.



Rubber Mounting

The heavy-duty rubber mounting dampens vibrations.



Crane Flange

The crane flange is designed for mounting a crane used for feeding the machine.

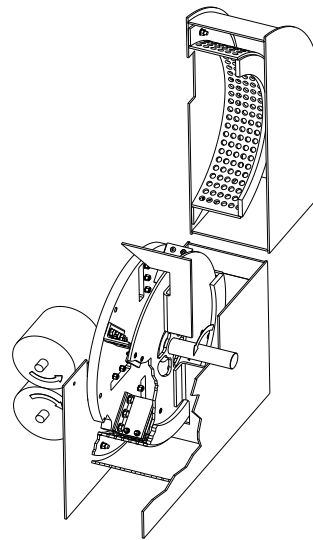
Made in Denmark

A strong combination of modern production equipment — including laser cutting — and skilled craftsmanship ensures that our products meet the highest standards for durable and reliable machinery. Since all machines are developed, produced and assembled at our own factory in Denmark, we can quickly adapt production to customer requirements.

Dealer:

Large selection of other machines

Read more at www.fransgard.dk



Patented system for high-quality wood chips:

Thanks to the patented 360° console, the PC-3300-PEC pellet wood chipper produces uniform **PC-FLIS®** without splinters or clumps. **PC-FLIS®** stands for high-quality wood chips with a homogeneous structure and no oversized particles.

Only chips produced with a PC pellet wood chipper may be referred to as PC-FLIS®.

PC-FLIS® is ideal for heating systems, as splinter- and clump-free chips reduce the risk of blockages in auger systems. This provides a reliable, cost-effective and environmentally friendly alternative to wood pellets.

The combination of knife settings and console size allows precise control of the chip fraction. The pellet wood chipper can therefore be configured for different applications – for example PC-FLIS® as high-quality animal bedding without sharp residues. The flexible setup provides a wide range of applications.

Technical data:

Technical data	PC-2700-PEC
Type	Pellet chipper with 360° disc
Wood Diameter (max)	Ø27 cm / 11"
PTO Revolutions	540 / 1,000 rpm
Power Requirement at 540 rpm	Max. 60 kW / 80 hp
Power Requirement at 1,000 rpm	Max. 112 kW / 150 hp
Spline on Main Shaft	1 3/4" x Z6
Weight	1.500 kg / 3307lb
Mounting	3-point hitch on tractor
Hydraulics	From the tractor
Number of Feed Rollers	2
Feed Torque from Feed Rollers	Up to 1,096 Nm
Rotor Weight (total)	Approx. 380 kg / 837 LB
Capacity (*)	30 m ³ / 0,291 ac-in per hour
Crane Mounting Option	Yes
Rotation Guard	Yes, standard

(*) Capacity depends on factors such as knife settings, available horsepower, wood condition, and rotor speed.

This provides a high level of flexibility that our customers have appreciated for many years. With in-house production, we maintain full control over each order, ensuring that the correct machine is delivered on time.

That's Danish efficiency and quality at its best.

Manufacturer:

Fransgård Maskinfabrik A/S
Fredbjergvej 132 · dk-9640 Farsø
T: +45 98 63 21 22
www.fransgard.dk

 **Fransgård**