

# Technical Information

## Polar 80



### FEATURES

- CombiVac™ Advanced Control System
- Sensor Vacuum Control
- Liquid Control Sensor
- Standard functions include: Compact, Liquids, Fragile/Soft, Trapped Air, Marinate, Tenderize, Vacblanch, Hyperknead, Jarring, Infusion, Red Meat, Compression, Aero Choco, Multi-Step
- 20 Program Memory
- Heavy Duty Seal Bars
- (4) Seal Bar Configuration Options
- Double Sealing Wire
- 4.7" LCD Screen
- Pump maintenance and cleaning program
- Stainless Steel Casing and Transparent Lid
- (2) Insert Plates and Inclined Plate for Liquids
- (1) Service Maintenance Kit
- 12' cord with NEMA L15-30P plug

### OPTIONAL ACCESSORIES

- Additional service kit for standard maintenance
- Zebra ZD411 thermal label printer

### OPTIONS

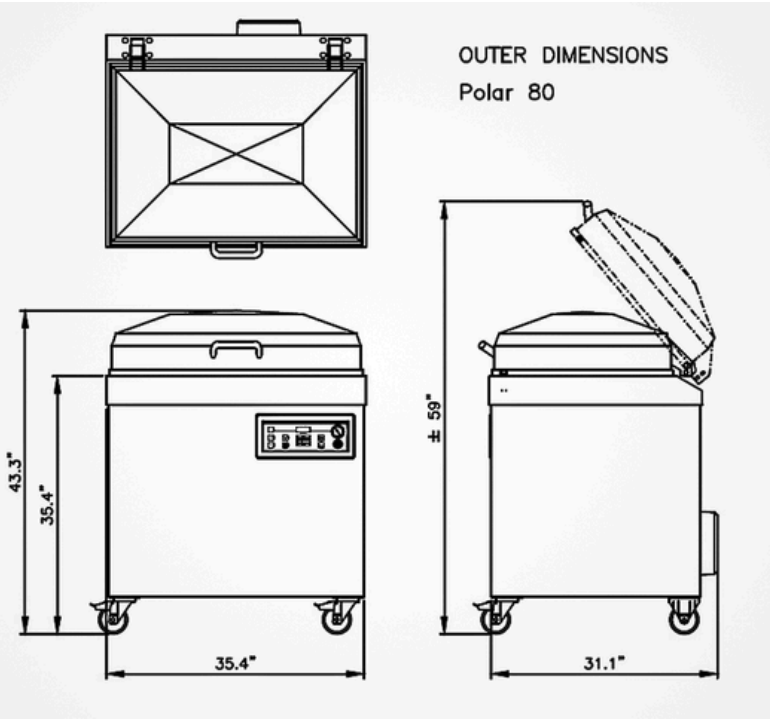
- Cut-off / wide seal
- 1-2 Cut-off/Bi-active seal
- Gas Flush (incl. compressed air connection)
- Preparation for External Pump

### PRODUCT INFORMATION

|                               |                         |
|-------------------------------|-------------------------|
| Chamber Dimension (L x W x H) | 20.1" x 29..9" x 7.9"   |
| Machine Dimension (L x W x H) | 31.1 " x 35.4" x 43.3 " |
| Pump Capacity                 | 120 m3/h / 4.6 hp       |
| Machine Cycle                 | 20 - 40 sec.            |
| Voltage / Hz                  | 208 / 3-60Hz            |
| Power (Amps)                  | 21 amps                 |
| Weight Net                    | 547 lbs.                |

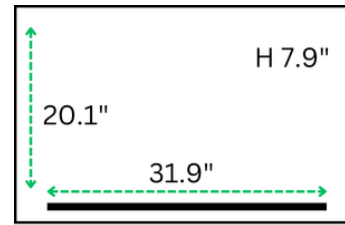
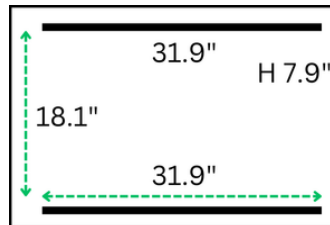
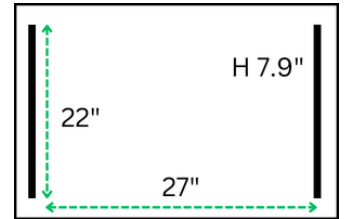
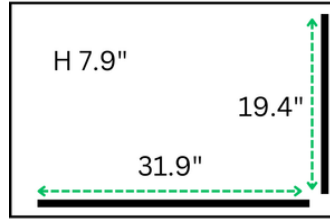
# Polar 80 Dimensions

## Unit Dimensions



## Chamber Dimension Options

### Standard



## NEMA Plug Configuration



L15-30P

Three phase 208 Volt  
3 pole, 4 wire grounding

## Certifications



3 Years Parts  
1 Year Labor



Intertek



Intertek



Invacus LLC  
493 W. Fullerton Ave  
Elmhurst, IL 60126  
+1) 331.979.2013

Sales & Information: [info@invacus.com](mailto:info@invacus.com)  
Technical Support: [service@invacus.com](mailto:service@invacus.com)  
[www.invacus.com/](http://www.invacus.com/)  
Parts: <https://parts.invacus.com/>