

Technical Information

Polar 2-75



FEATURES

- CombiVac™ Advanced Control System
- Sensor Vacuum Control
- Liquid Control Sensor
- Standard functions include: Compact, Liquids, Fragile/Soft, Trapped Air, Marinate, Tenderize, Vacblanch, Hyperknead, Jarring, Infusion, Red Meat, Compression, Aero Choco, Multi-Step
- 20 Program Memory
- Heavy Duty Seal Bars
- (2) Seal Bar Configuration Options
- Double Sealing Wire
- 4.7" LCD Screen
- Pump maintenance and cleaning program
- Stainless Steel Casing and Transparent Lid
- (2) Insert Plates and Inclined Plate for Liquids
- (1) Service Maintenance Kit
- 16' cord with NEMA 15-50P plug

OPTIONAL ACCESSORIES

- Additional service kit for standard maintenance
- Zebra ZD411 thermal label printer

OPTIONS

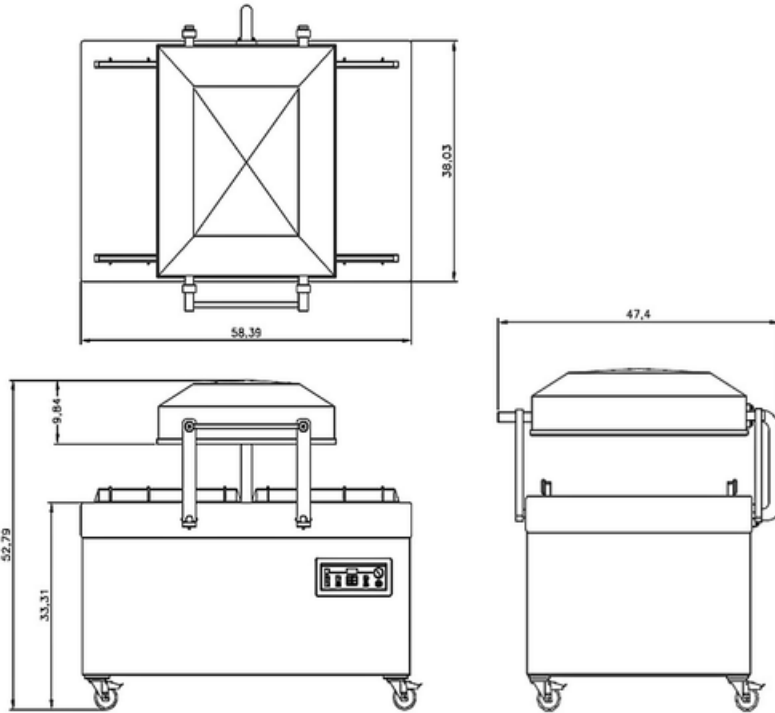
- Cut-off / wide seal
- 1-2 Cut-off/Bi-active seal
- Gas Flush (incl. compressed air connection)
- Preparation for External Pump

PRODUCT INFORMATION

Chamber Dimension (L x W x H)	29.5" x 24.4" x 9.8" (2X)
Machine Dimension (L x W x H)	47.4" x 58.4" x 52.8"
Pump Capacity	190 m ³ /h / 5.7 hp
Machine Cycle	20 - 40 sec.
Voltage / Hz	208 - 220V / 3-60Hz
Power (Amps)	26 amps
Weight Net	1,183 lbs.

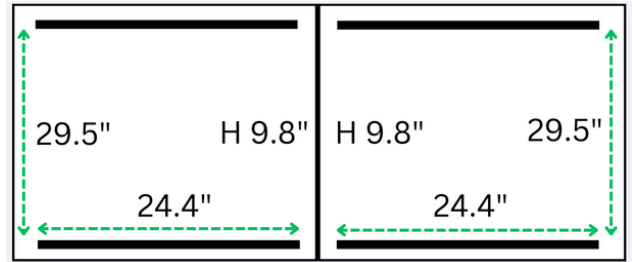
Polar 2-75 Dimensions

Unit Dimensions



Chamber Dimension Options

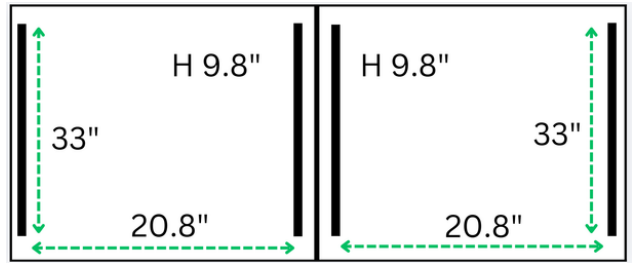
Standard



Chamber 1

Chamber 2

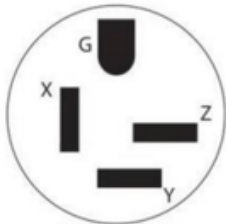
Option



Chamber 1

Chamber 2

NEMA Plug Configuration



L15-50P
50A / 250V

Three phase 208 Volt
3 pole, 4 wire grounding

Certifications



3 Years Parts
1 Year Labor



Invacus LLC
493 W. Fullerton Ave
Elmhurst, IL 60126
+1) 331.979.2013

Sales & Information: info@invacus.com
Technical Support: service@invacus.com
www.invacus.com/
Parts: <https://parts.invacus.com/>