

Technical Information

Polar 2-40



FEATURES

- CombiVac™ Advanced Control System
- Sensor Vacuum Control
- Liquid Control Sensor
- Standard functions include: Compact, Liquids, Fragile/Soft, Trapped Air, Marinate, Tenderize, Vacblanch, Hyperknead, Jarring, Infusion, Red Meat, Compression, Aero Choco, Multi-Step
- 20 Program Memory
- Heavy Duty Seal Bars
- Front / Back Seal Bar Configuration Option
- Double Sealing Wire
- 4.7" LCD Screen
- Pump maintenance and cleaning program
- Stainless Steel Casing and Transparent Lid
- (2) Insert Plates and Inclined Plate for Liquids
- (1) Service Maintenance Kit
- 12' cord with NEMA L15-30P plug

OPTIONAL ACCESSORIES

- Additional service kit for standard maintenance
- Zebra ZD411 thermal label printer

OPTIONS

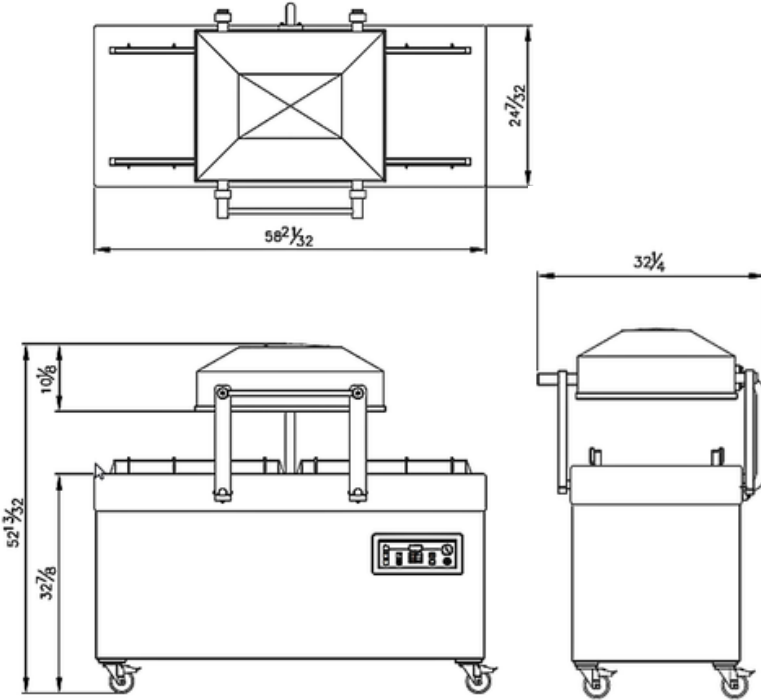
- Cut-off / wide seal
- 1-2 Cut-off/Bi-active seal
- Gas Flush (incl. compressed air connection)
- Preparation for External Pump

PRODUCT INFORMATION

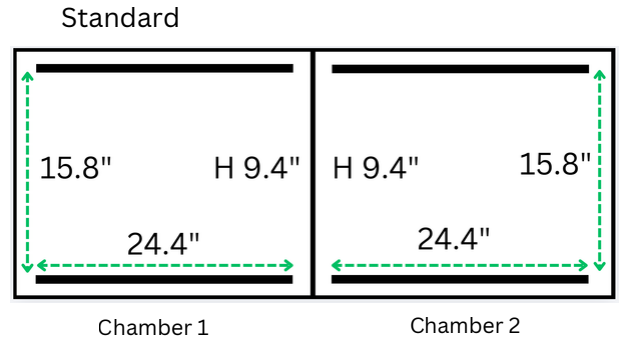
Chamber Dimension (L x W x H)	15.8" x 24.4" x 9.4" (2X)
Machine Dimension (L x W x H)	32.3" x 58.7" x 52.4"
Pump Capacity	75 m3/h / 3.2 hp
Machine Cycle	20 - 40 sec.
Volts / Hz	208 - 220V / 3-60Hz
Power (Amps)	20
Weight Net	684 lbs.

Polar 2-40 Dimensions

Unit Dimensions



Chamber Dimensions



NEMA Plug Configuration



L15-30P

Three phase 208 Volt
3 pole, 4 wire grounding

Certifications



Invacus LLC
493 W. Fullerton Ave
Elmhurst, IL 60126
+1) 331.979.2013

Sales & Information: info@invacus.com
Technical Support: service@invacus.com
www.invacus.com/
Parts: <https://parts.invacus.com/>