

Technical Information

Marlin 52



FEATURES

- CombiVac™ Advanced Control System
- Sensor Vacuum Control
- Liquid Sensor Control
- Standard functions include: Compact, Liquids, Fragile/Soft, Trapped Air, Marinate, Tenderize, Vacblanch, Hyperknead, Jarring, Infusion, Red Meat, Compression, Aero Choco, Multi-Step
- 20 Program Memory
- (2) 16.5" Seal bars (Left & Right) - Removable for Easy Cleaning
- Double Sealing Wires
- Pump maintenance and cleaning program
- Stainless Steel Casing and Transparent Lid
- (3) Insert Plates and Inclined Plate for Liquids
- (1) Service Maintenance Kit
- External Vacuum Adapter
- 12' cord with NEMA 6-30 plug

OPTIONS

- Cut-off/ wide seal
- 1-2 Cut-off/Bi-active seal
- Gas Flush (incl. compressed air connection)

OPTIONAL ACCESSORIES

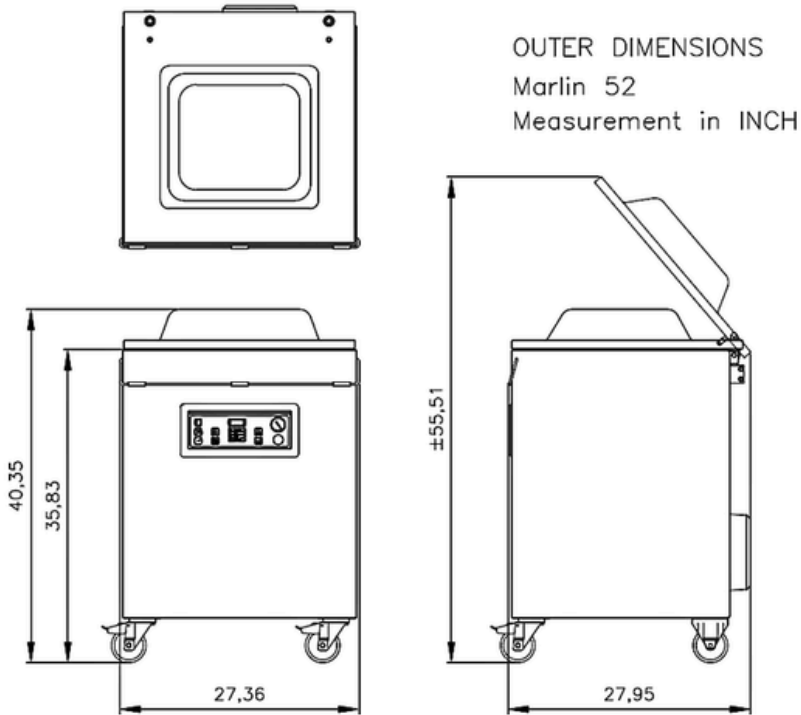
- External hose adapter for GreenVac pan system
- Additional service kit for standard maintenance
- Zebra Thermal Printer ZD411

PRODUCT INFORMATION

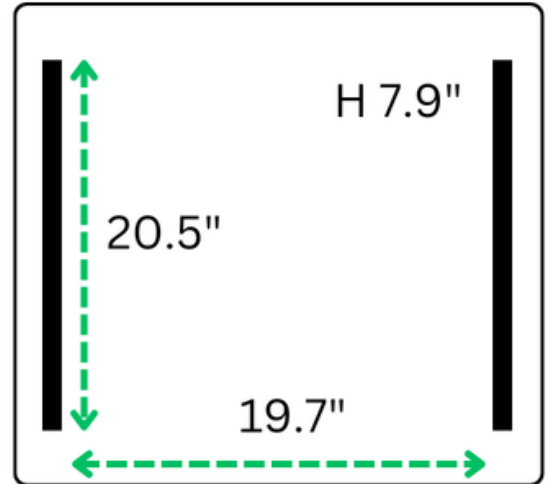
Chamber Dimension (L x W x H)	20.5" x 19.7" x 7.9"
Machine Dimension (L x W x H)	28 " x 27.4" x 40.4 "
Pump Capacity	75 m3/h / 2.8 hp
Machine Cycle	20 - 40 sec.
Voltage / Hz	220 / 1-60Hz
Power (Amps)	21 amps
Seal Length - Usable	16.5"
Weight Net	364 lbs.

Marlin 52 Dimensions

Unit Dimensions



Chamber Dimensions



NEMA Plug Configuration



NEMA 6-30

Single phase 220 Volt
2 pole, 3 wire grounding

Certifications



3 Years Parts
1 Year Labor



Intertek



Intertek



Invacus LLC
493 W. Fullerton Ave
Elmhurst, IL 60126
+1) 331.979.2013

Sales & Information: info@invacus.com
Technical Support: service@invacus.com
www.invacus.com/
Parts: <https://parts.invacus.com/>