

# Technical Information

## Marlin 52



### FEATURES

- CombiVac™ Advanced Control System
- Sensor Vacuum Control
- Liquid Sensor
- Standard functions include: Compact, Liquids, Fragile/Soft, Trapped Air, Marinade, Tenderize, Vacblanch, Hyperknead, Jarring, Infusion, Red Meat, Compression, Aero Choco, Multi-Step
- 20 Program Memory
- (2) 16.5" Seal bars (Left & Right) - Removable for Easy Cleaning
- Double Sealing Wires
- Pump maintenance and cleaning program
- Stainless Steel Casing and Transparent Lid
- (3) Insert Plates and Inclined Plate for Liquids
- (1) Service Maintenance Kit
- External Vacuum Adapter
- 12' cord with NEMA L15-30 plug

### OPTIONS

- Cut-off/ wide seal
- 1-2 Cut-off/Bi-active seal
- Gas Flush (incl. compressed air connection)

### OPTIONAL ACCESSORIES

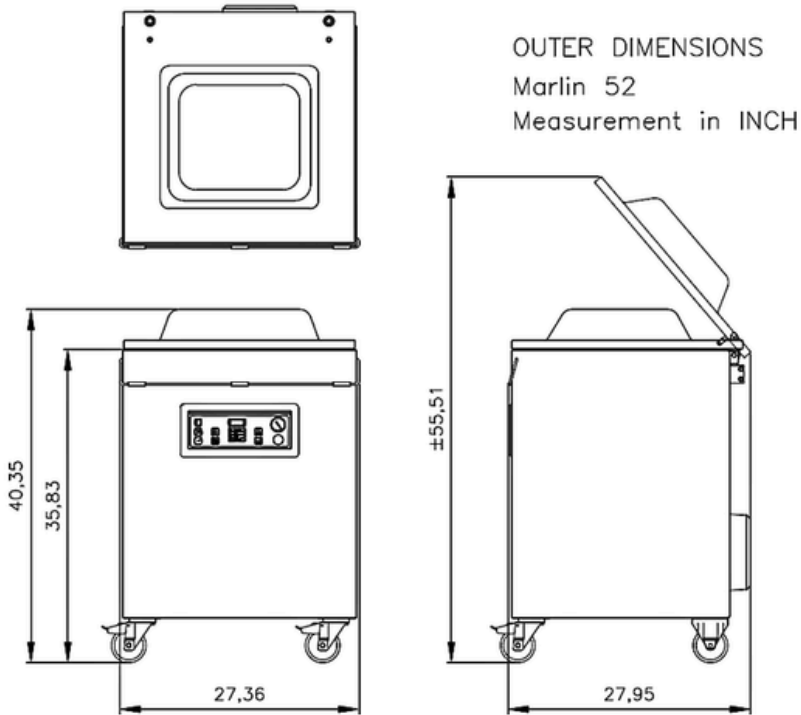
- External hose adapter for GreenVac pan system
- Additional service kit for standard maintenance
- Zebra Thermal Printer ZD411

## PRODUCT INFORMATION

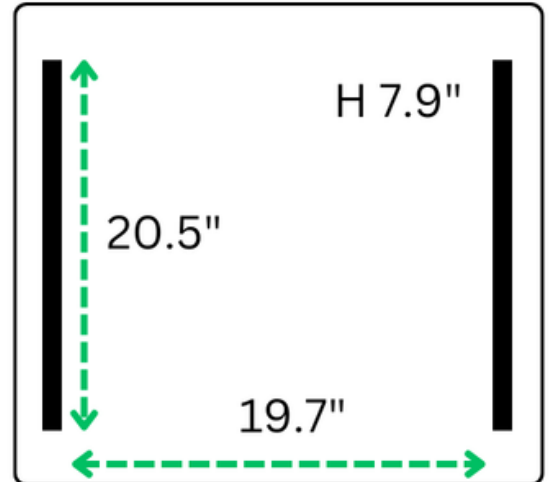
Chamber Dimension (L x W x H)	20.5" x 19.7" x 7.9"
Machine Dimension (L x W x H)	28 " x 27.4" x 40.4 "
Pump Capacity	75 m3/h / 2.8 hp
Machine Cycle	20 - 40 sec.
Voltage / Hz	208 / 3-60Hz
Power (Amps)	21 amps
Seal Length - Usable	16.5"
Weight Net	364 lbs.

# Marlin 52 Dimensions

## Unit Dimensions



## Chamber Dimensions



## NEMA Plug Configuration



L15-30P

Three phase 220 Volt  
3 pole, 4 wire grounding

## Certifications



3 Years Parts  
1 Year Labor



Intertek



Intertek



**Henkelman**  
vacuum packaging

Invacus LLC  
493 W. Fullerton Ave  
Elmhurst, IL 60126  
+1) 331.979.2013

Sales & Information: [info@invacus.com](mailto:info@invacus.com)  
Technical Support: [service@invacus.com](mailto:service@invacus.com)  
[www.invacus.com/](http://www.invacus.com/)  
Parts: <https://parts.invacus.com/>