



**GENTILI**<sup>®</sup>  
TECHNOLOGY EQUIPMENT



**DRL**

Transport Vehicle Parts & Services



**G·P·O·D**  
NUCLEO by Gentili

---

## ***“G POD” PICK-UP BODY***

*Transforming any pick-up into a perfect multi-purpose utility vehicle*

---



**G·POD**  
NUCLEO by Gentili

**“  
We have designed our  
G POD to provide solutions  
to our customers who work  
in the most demanding  
environments”**

Ernesto Gentili  
*Ernesto Gentili*

Further enhance your 4x4 vehicle with a G POD body; giving operators a perfect solution allowing them to work comfortably on difficult terrains.

The G POD, a unique product, available in 3 varieties, offers plenty of loading space and has been designed to stand up against the most severe demands and stress.

---

  
**GENTILI**  
TECHNOLOGY EQUIPMENT

▶ *Designed to offer improved performance.*

▶ *Tested extensively and to enhance loading capabilities and performance.*



Once the G POD body is fitted onto a 4x4 pick-up, the vehicle will be able to reach the most remote areas, often by travelling on rough terrain; allowing utilities and similar operators to effortlessly deal with specific and challenging operations.

Gentili have focused on the creation of an off-road utility vehicle, with specific materials used in the construction of the body, letting users operate in the most challenging of situations.

***MAKING THE TOUGHEST  
JOB EASY***

# ERGONOMICS - 270° ACCESSIBILITY

The G POD offers you extraordinary new levels of access to your tools and materials, all done safely and easily.

The G POD comes as standard with two aluminium roller-shutters, making it easy for the operator to access the storage area. These shutters run along purpose made guides and their opening and closing is facilitated by a recoil mechanism.

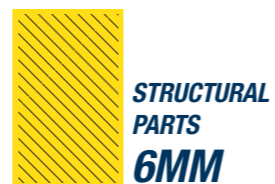
A water drainage channel protects the apertures from unwanted water entry. Keep your tools and equipment safe with the key lock on each shutter, supplied as standard.

At the rear of the G POD body a gas strut assisted rear hatch will give easy access to the rear loading area of the body, also fitted with a key lock as standard as well as a high level 3rd rear brake light.



# SINGLE GRP MOULDING, STRUCTURAL STRENGTH AND IMPROVED LOADING SPACE

By combining quality steel tube and reinforced fiberglass, we have created a lightweight solution with high performance inner strength.



The G POD from Gentili will transform your utility vehicle in 3 steps, guaranteeing high safety standards for the installation of the body onto the vehicle chassis.



Original vehicle  
(OEM specifications)



OEM tail body removal



G POD body installation

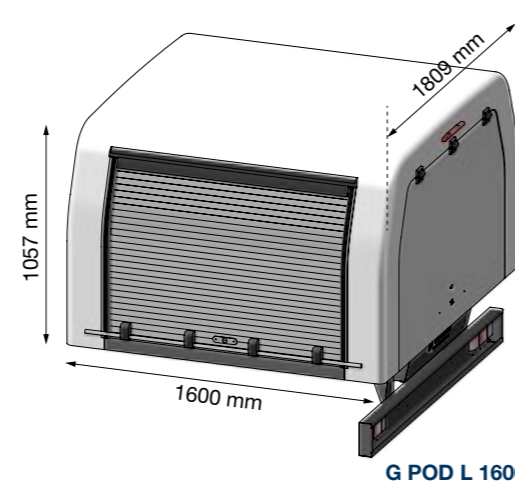
**3 STEPS, TRANSFORMING YOUR PICK-UP INTO  
AN EFFICIENT AND SMART PLACE TO WORK**

# G POD

## G POD dimensions

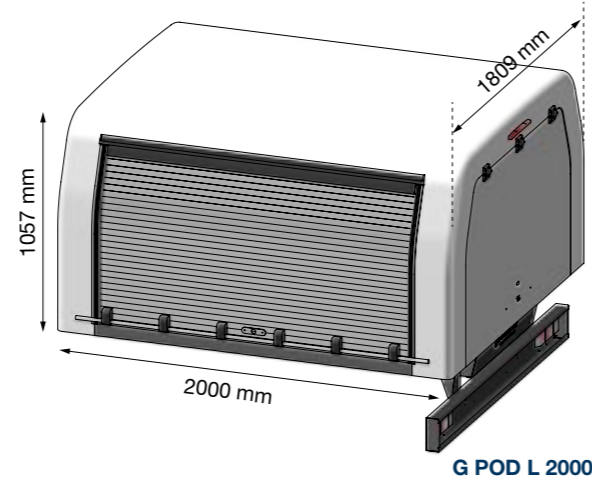
### G POD L 1600 to suit a double-cab

Length: 1600 mm  
Width: 1809 mm  
Height: 1057 mm  
Weight: 300 kg



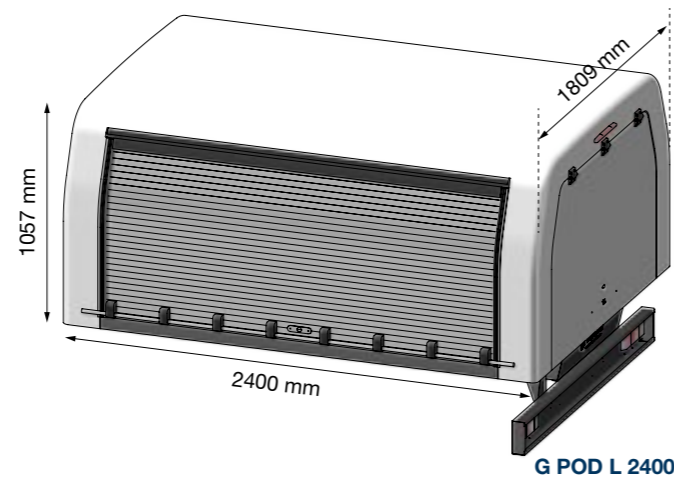
### G POD L 2000 to suit a semi/extra-cab

Length: 2000 mm  
Width: 1809 mm  
Height: 1057 mm  
Weight: 345 kg



### G POD L 2400 to suit a single-cab

Length: 2400 mm  
Width: 1809 mm  
Height: 1057 mm  
Weight: 383 kg



## AVAILABLE FOR ALL LEADING 4X4 PICK UP MAKES AND MODELS

► The single GRP mould offers great structural strength; this gave Gentili the confidence to invest in this product and provide the market with three different sizes to cover all customer needs.

## G POD + INFINITY + G2000 HARRIER ALL IN ONE

Your perfect solution created from the widest range of our Infinity modular storage solutions and high-quality roof mounted equipment like our G2000 HARRIER ladder rack; giving you the confidence to invest in your business today and introduce change in the future.



# G·P·O·D

*NUCLEO by Gentili*

---



# DRL

**Transport Vehicle Parts & Services**

103 Ashbourne Ind Est, Ashbourne, A84 WK37

01-8351944

[sales@drl-irl.com](mailto:sales@drl-irl.com)

[www.drl-irl.com](http://www.drl-irl.com)

---