



CONSTRUCTION SOLUTIONS

SOLUTIONS POUR LA CONSTRUCTION

LÖSUNGEN FÜR BAUMASCHINEN

KEEPING YOU SAFE IN THE

AU SERVICE DE VOTRE SECURITE SICHERHEIT AM

WORKPLACE

EN OPERATION ARBEITSPLATZ

At ECCO Safety Group, we understand just how dangerous the construction industry can be and we're not just talking about working on high buildings on scaffolding, large amounts of exposed electrical wiring, safely handling machinery and tools or hazardous chemicals and minerals like asbestos. We are talking about the inherent danger of operating and working around large construction equipment used to move heavy materials. ECCO offers an extensive line of safety solutions that are ideally suited for all construction sites and vehicles. We make it our job to offer warning equipment to help minimise the risk of personal injury as well as property damage.

Chez ECCO Safety Group nous comprenons parfaitement l'importance de la sécurité dans l'industrie de la construction et nous ne parlons pas seulement de travaux sur des bâtiments élevés, sur des échafaudages, de grandes quantités de câbles électriques exposés, de la manipulation en toute sécurité de machines et d'outils ou de produits chimiques dangereux et de minéraux tels que l'amiante. Nous parlons du danger inhérent à l'utilisation et au travail de gros engins de chantier utilisés pour déplacer des matériaux lourds. ECCO propose une vaste gamme de solutions de sécurité parfaitement adaptée à tous les chantiers de construction et à tous les véhicules. Nous nous faisons un devoir de proposer des équipements d'alerte permettant de minimiser les risques de blessures et de dommages matériels.

Wir bei ECCO Safety Group wissen, wie gefährlich die Arbeit auf Baustellen sein kann und damit meinen wir nicht nur die Arbeit auf Gerüsten an hohen Gebäuden, mit elektrischen Verkabelungen, das sichere Bedienen von Maschinen und Werkzeugen oder den Umgang mit gefährlichen Chemikalien und Stoffen wie Asbest. Wir sprechen von der Gefahr im Umgang mit großen Baumaschinen, sowohl für den Fahrer, als auch für die Arbeit in deren näherem Umkreis. ECCO bietet eine große Auswahl an Sicherheitslösungen, welche auf sämtliche Anforderungen im Baubereich abgestimmt sind. Wir haben es uns zur Aufgabe gemacht, Warneinrichtungen zu entwickeln, welche helfen, Unfälle zu vermeiden und somit der Sicherheit von Mensch und Maschine dienen.



These are simply a selection of products that we have chosen to suit Construction Vehicles. For our full comprehensive range, please refer to our websites and catalogues.

Il s'agit d'une simple sélection de produits que nous avons choisis et qui conviennent aux véhicules de construction. Pour notre gamme complète, veuillez vous référer à nos sites Web et catalogues.

Dies ist nur eine Auswahl an Produkten, welche auf die harten Anforderungen für den Einsatz an Baumaschinen perfekt abgestimmt sind. Unser komplettes Sortiment finden Sie auf unserer Website oder in unseren Katalogen.

SYMBOL GUIDE:

C	T	V	A	F	L	#	dB(A)				
Colour	Type	Volts	Amps	FPM	Length/ Lumens	Part No.	Decibels	Beam Pattern	Mount	Warranty	Approval

ECCOESG.CO.UK



ESGEMEA



esg-emea



ESG_EMEA



ESG EMEA



esg_emea

400 Series

R65 LED Beacons



V11050

C Amber
V 10-30
A 0.7
F 125 FPM
X 3 Bolt
⊙ R65, R10
⌚ 3 Year



V11052

C Amber
V 10-30
A 0.7
F 125 FPM
X 1 Bolt
⊙ R65, R10
⌚ 3 Year



V11053

C Amber
V 10-30
A 0.7
F 125 FPM
X Mag 50
⊙ R65, R10
⌚ 3 Year

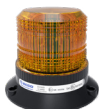


V11057

C Amber
V 10-30
A 0.7
F 125 FPM
X 1 Bolt Flexi
⊙ R65, R10
⌚ 3 Year

ECCOLED Silver

R65 LED Beacons



EB5014A

C Amber
V 12-24
A 1.8
F 135 FPM
X 3 Bolt
⊙ R65, R10
⌚ 3 Year



EB5016A

C Amber
V 12-24
A 1.8
F 135 FPM
X Flexi Pole
⊙ R65, R10
⌚ 3 Year



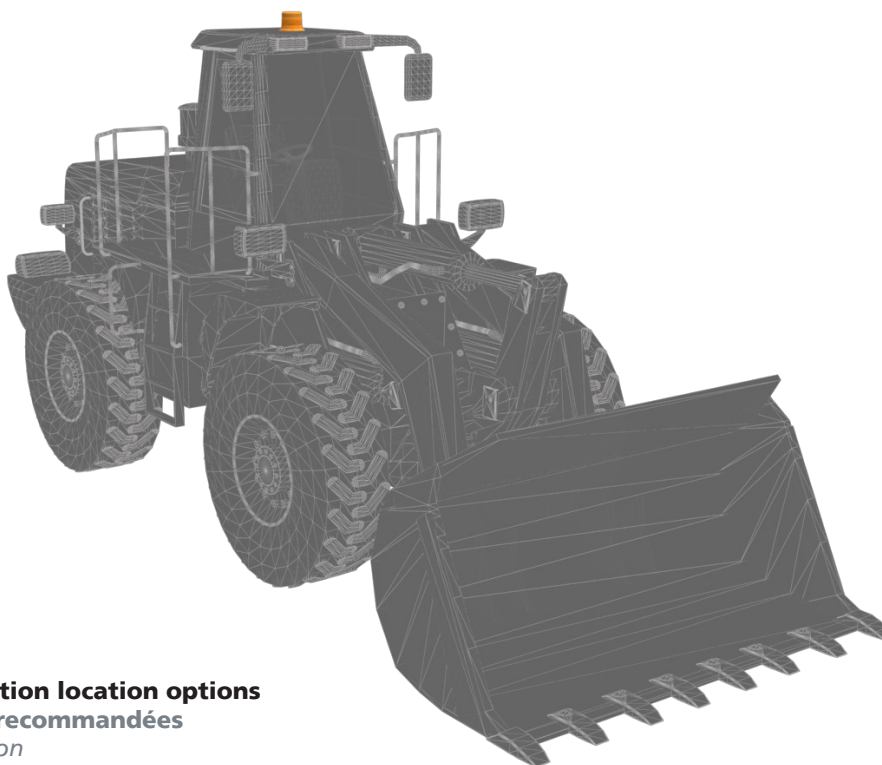
EB7181CA

C Amber
V 12-24
A 6.2
F 125 FPM
X 4 Bolt
⊙ R65 Class I, R10, IP55
⌚ 3 Year



EB7186AAA

C Amber
V 12-24
A 8.6
F 125 FPM
X 4 Bolt
⊙ R65 Class II, R10, IP55
⌚ 3 Year



Recommended installation location options

Options d'installation recommandées

Empfohlene Anbauposition

OTHER MOUNT & COLOUR OPTIONS AVAILABLE

AUTRES OPTIONS DE MONTAGE ET DE COULEUR DISPONIBLES
WEITERE BEFESTIGUNGS- UND FARBOPTIONEN ERHÄLTICH

LIGHTBARS

RAMPES LUMINEUSES

WARNBALKEN

12+ Series

R65 LED Lightbar



- 610mm** # 12-30174-E
C Amber
T 12 LEDs
V 12-24
A 7.2
✓ EMC, R65 Class I, R10
⌚ 5 Year



- 1524mm** # 12-30011-E
C Amber
T 16 LEDs
V 12-24
A 9.6
✓ EMC, R65 Class I, R10
⌚ 5 Year



- 1212mm** # 12-30009-E
C Amber
T 16 LEDs
V 12-24
A 9.6
✓ EMC, R65 Class I, R10
⌚ 5 Year



- 1828mm** # 12-30016-E
C Amber
T 16 LEDs
V 12-24
A 9.6
✓ EMC, R65 Class I, R10
⌚ 5 Year

15L Series

R65 LED Lightbar



- 590mm** # 15L-21325-V
C Amber
T 12 LEDs
V 12-24
A 4.8
✓ R10, R65
⌚ 2 Year Lightbar
5 Year Electrical



- 1372mm** # 15L-21328-V
C Amber
T 16 LEDs with opal centre
V 12-24
A 6.4
✓ R10, R65
⌚ 2 Year Lightbar
5 Year Electrical



- 1240mm** # 15L-21327-V
C Amber
T 12 LEDs with opal centre
V 12-24
A 4.8
✓ R10, R65
⌚ 2 Year Lightbar
5 Year Electrical



- 1760mm** # 15L-21330-V
C Amber
T 16 LEDs with opal centre
V 12-24
A 9.6
✓ R10, R65
⌚ 2 Year Lightbar
5 Year Electrical

CUSTOM CONFIGURATIONS AVAILABLE

AURES CONFIGURATIONS DISPONIBLES
WEITERE KONFIGURATIONEN VERFÜGBAR

ECCOESG.CO.UK



ESGEMEA



esg-emea



ESG_EMEA



ESG EMEA



esg_emea

A6 Series

R65 Aerolite LED Lightbar



520mm

A6602.000.LDV

- C Amber
- T 2 LED Triple Stack
- V 12-24
- A 5.4
- ⊕ R10, R65
- ⌚ 5 Year



1250mm

A6662.200.LDV

- C Amber
- T 2 LED Triple Stack with Centre Illumination
- V 12-24
- A 5.4
- ⊕ R10, R65
- ⌚ 5 Year



1000mm

A6642.200.LDV

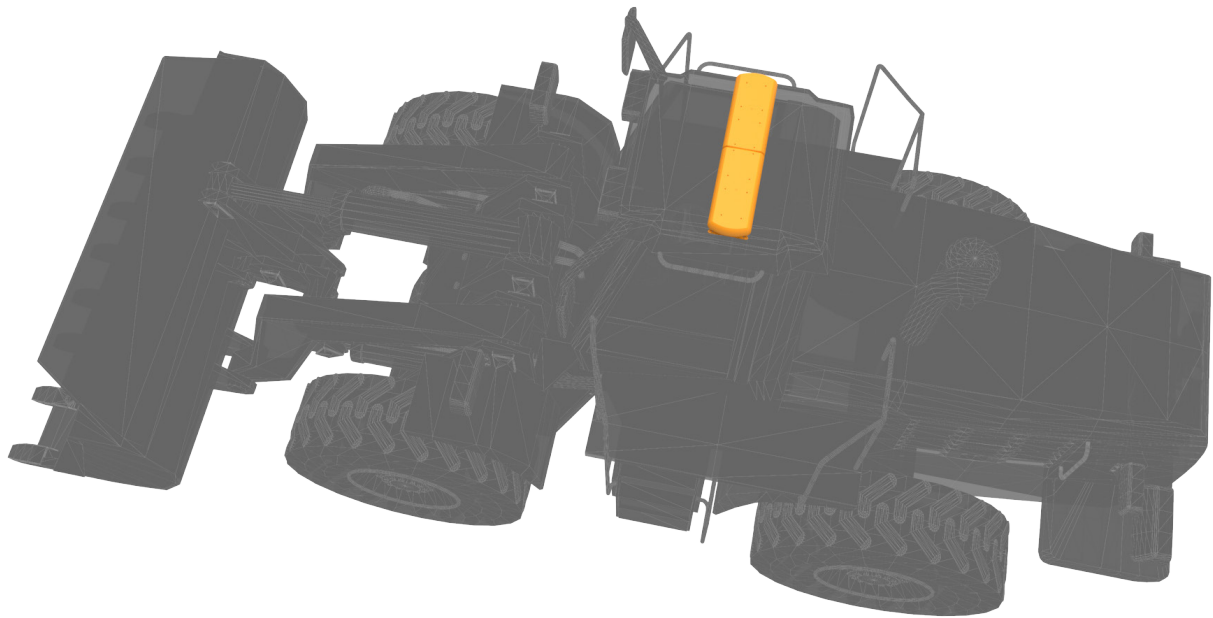
- C Amber
- T 2 LED Triple Stack with Centre Illumination
- V 12-24
- A 5.4
- ⊕ R10, R65
- ⌚ 5 Year



1500mm

A6682.200.LDV

- C Amber
- T 2 LED Triple Stack with Centre Illumination
- V 12-24
- A 5.4
- ⊕ R10, R65
- ⌚ 5 Year



Recommended installation location options

Options d'installation recommandées

Empfohlene Anbauposition

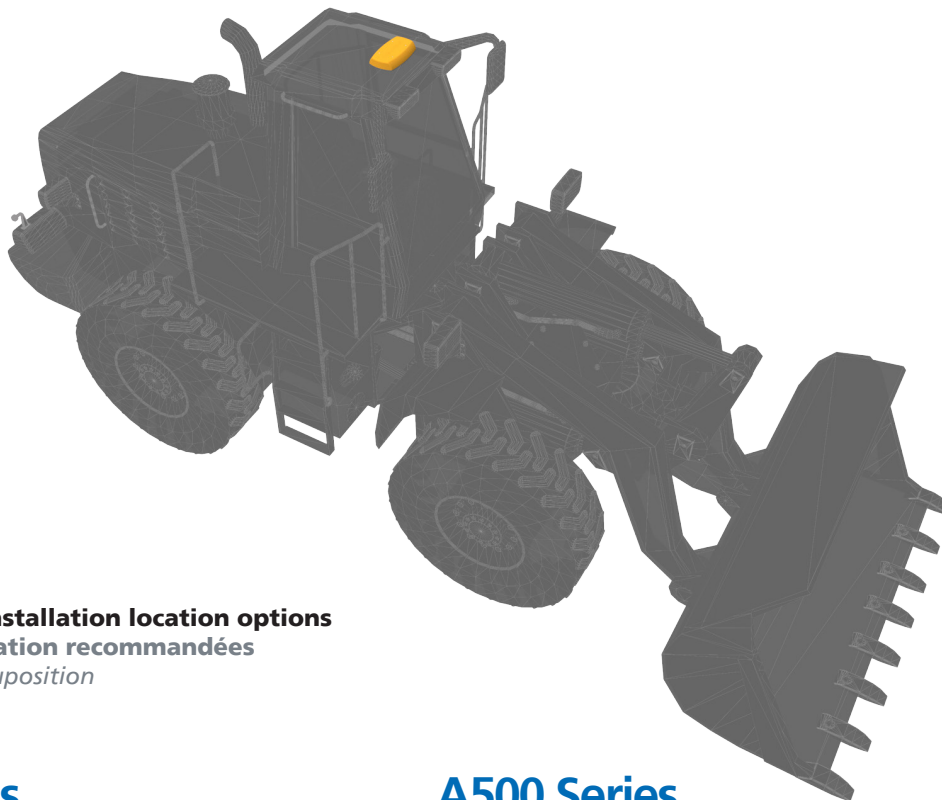
OTHER CONFIGURATIONS AVAILABLE

AUTRES CONFIGURATIONS DISPONIBLES
WEITERE KONFIGURATIONEN VERFÜGBAR

MINIBARS & DIRECTIONALS

MINI-RAMPES & FEUX DE PENETRATION

MINIBALKEN & BLITZLEUCHTEN



Recommended installation location options

Options d'installation recommandées

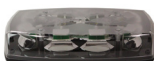
Empfohlene Anbauposition

5565 Series

R65 LED Minibar



382mm # 5565A-VA1
C Amber
V 12-24
A 2.7
F 120 FPM
X 1 Bolt
R65, R10, IP65
3 Year



382mm # 5565CA-VA1
C Amber
V 12-24
A 2.7
F 120 FPM
X 1 Bolt
R65, R10, IP65
3 Year



248mm # A511.00.LDV
C Amber
V 12-24
A 2.3
F 120 FPM x 2
X 1 Bolt
R65, R10
3 Year



400mm # A551.00.LDV
C Amber
V 12-24
A 3.1
F 120 FPM x 2
X 1 Bolt
R65, R10, IP65
3 Year

5550 Series

R65 LED Microbar



278mm # 5550A-VA1
C Amber
V 12-24
A 2.7
F 120 FPM
X 1 Bolt
R65, R10, IP65,
CE, RoHS
3 Year



278mm # 5550CA-VA1
C Amber
V 12-24
A 2.7
F 120 FPM
X 1 Bolt
R65, R10, IP65,
CE, RoSH
3 Year



420mm # A491.00.LDV
C Amber
V 12-24
A 1.0
F 120 FPM x 2
X 1 Bolt
R65, R10
3 Year



420mm # A491.40.LDV
C Amber
V 12-24
A 1.0
F 120 FPM x 2
X 1 Bolt
R65, R10
3 Year

OTHER MOUNT & COLOUR OPTIONS AVAILABLE

AUTRES OPTIONS DE MONTAGE ET DE COULEUR DISPONIBLES
WEITERE BEFESTIGUNGS- UND FARBOPTIONEN ERHALTLICH

ECCOESG.CO.UK



CONSTRUCTION SOLUTIONS



ED5100CA
C Amber
V 10-30
A 1.2
X Surface/Bracket
 Ⓞ R65, R10, IP67
 Ⓟ 3 Year

AVAILABLE COLOURS



3812A
C Amber
V 12-48
A 0.4
X Surface/Bracket
 Ⓞ R65, R10
 Ⓟ 3 Year

AVAILABLE COLOURS



ED3777A
C Amber
V 12-24
A 1.8
X Multi Mount
 Ⓞ R65, R10, CE, IP67
 Ⓟ 3 Year

AVAILABLE COLOURS



ED5110A
C Amber
V 12-24
A 1.0
X Surface
 Ⓞ R65, R10, IP69K
 Ⓟ 3 Year

AVAILABLE COLOURS



L55.10.DV
C Amber
V 12-24
A 0.6
X Surface
 Ⓞ R65, R10, IP67
 Ⓟ 5 Year

AVAILABLE COLOURS



3510A
C Amber
V 12-24
A 0.75
X Surface
 Ⓞ R10, IP67
 Ⓟ 5 Year

AVAILABLE COLOURS



ED3706A Solid - or split-colour
C Amber
V 12-24
A 0.9
X Multi
 Ⓞ R65, R10, IP67
 Ⓟ 3 Year

AVAILABLE COLOURS



ED3701A Single - or split-colour
C Amber
V 12-24
A 0.9
X Surface
 Ⓞ R65, R10
 Ⓟ 3 Year

AVAILABLE COLOURS



Where applicable, change 'A' in part number to available colour



Recommended installation location options

Options d'installation recommandées

Empfohlene Anbauposition

OTHER MOUNT & COLOUR OPTIONS AVAILABLE

AUTRES OPTIONS DE MONTAGE ET DE COULEUR DISPONIBLES
 WEITERE BEFESTIGUNGS- UND FARBOPTIONEN ERHÄLTICH

CAMERA SYSTEMS & ALARMS

SYSTEMES DE CAMERA & D'ALARMES DE RECU

KAMERASYSTEME UND ALARME

ECCO's comprehensive range of camera systems and reversing alarms are designed to prevent costly accidents, eliminate workplace injury and help to save lives. All products within our range are manufactured to both industry standards and the ECCO standard. Whatever your safety requirement, ECCO will be able to help you find the right solution to maximise visibility and enhancing safety on and off road.

ECCO also provide a range of mobile surveillance and tracking solutions for construction operational vehicles. Our technology can provide live monitoring of vehicle location, operational status of equipment, live video streams from inside and outside the vehicles, and messaging direct to the dashboard.

La gamme complète de systèmes de caméras et d'alarmes de recul d'ECCO est conçue pour éviter des accidents coûteux, éliminer les blessures sur le lieu de travail et contribuer à sauver des vies. Tous les produits de notre gamme sont fabriqués conformément aux normes de l'industrie et à la norme ECCO. Quelles que soient vos exigences en matière de sécurité, ECCO saura vous aider à trouver la bonne solution pour optimiser la visibilité et améliorer la sécurité sur et hors route.

ECCO propose également une gamme de solutions de surveillance et de suivi mobiles pour les véhicules de chantier. Notre technologie peut fournir une surveillance en direct de la localisation du véhicule, de l'état opérationnel de l'équipement, des flux vidéo en direct depuis l'intérieur et l'extérieur des véhicules, ainsi qu'une messagerie directe vers le tableau de bord.

ECCO's umfangreiches Sortiment an Kamerasystemen und Rückfahralarmen wurde entwickelt, um Unfälle zu vermeiden, Verletzungen am Arbeitsplatz zu verhindern und Leben zu retten. Alle unsere Produkte entsprechen sowohl den Industriestandards, als auch dem ECCO Standard. Was immer Sie benötigen, um bestmögliche Sicherheit zu gewährleisten ECCO unterstützt sie dabei, die passende Lösung zu finden, sowohl On-Road, als auch Off-Road.

ECCO bietet zudem ein umfangreiches Angebot an mobilen Überwachungs- und Fahrzeugverfolgungs-Systemen für Baufahrzeuge. Unsere Technologie umfasst Live-Monitoring des Fahrzeugstandortes, Betriebsstatus, Live Videostreams in und um das Fahrzeug, sowie die Übermittlung der Informationen.



EC7000B-WK

*7.0" LCD colour system
2.4 GHz digital wireless system
Internal controller
Includes monitor sunshade
Two camera expandable
Wireless system - reduces installation time
One year warranty



EC5605-WK

*5.6" LCD LCD colour screen
2.4 GHz digital wireless system
Internal controller
Includes monitor sunshade
Four camera expandable
Wireless system - reduces installation time
One year warranty



K7000B

*7" LCD colour system
CMOS 18 LED infrared camera
Includes monitor sunshade
Two camera expandable
One year warranty



EC5603-SVK

*5.6" LCD LCD colour screen
CMOS 11 LED infrared camera
Includes monitor sunshade
Three camera expandable
One year warranty

*Traduction disponible

*Übersetzung verfügbar

WE'VE GOT YOUR BACK.

ECCO camera systems are like having another pair of eyes on the job or the incident scene. With crystal clear displays and wide fields of view, camera systems from ECCO protect people, equipment and reputations.

BEST SELLING
EC7010-K

FEATURED
140-750

PREMIUM CHOICE
EC5605-WK

WIRED CAMERA SYSTEMS

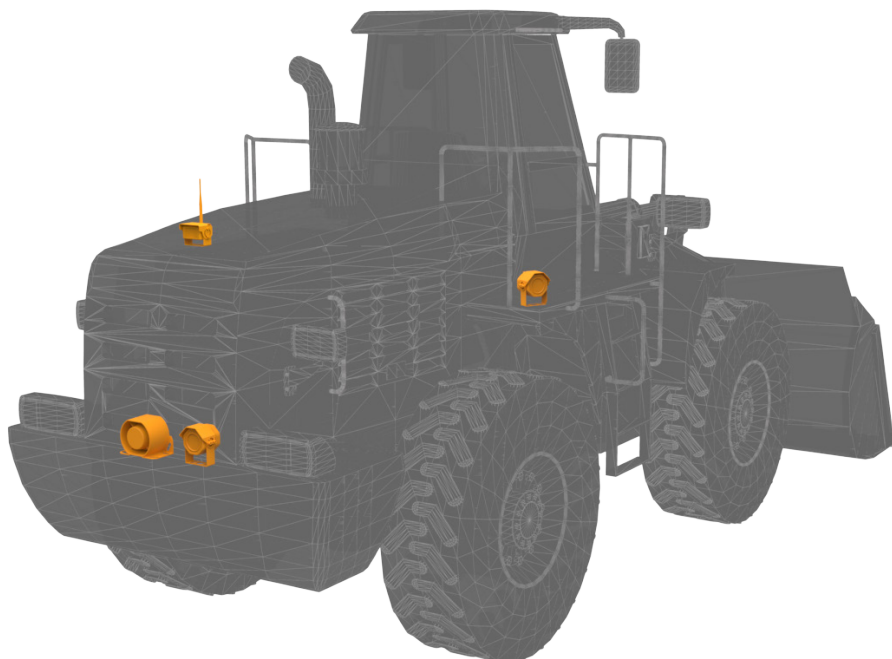
- EC7003-SVK: 7" LCD Colour System
- EC7010-K: 7.0" LCD Colour Wired System
- K7000B: 7" LCD Colour System
- 140-550: 5" Colour System
- 140-750: 7" Colour System

OTHER OPTIONS AVAILABLE

AUTRES OPTIONS DISPONIBLES
WEITERE AUSFÜHRUNGEN ERHÄLTlich

ECCOESG.CO.UK





Recommended installation location options

Options d'installation recommandées

Empfohlene Anbauposition



530-001
V 12-24
dB(A) 102
A 0.2
X 2 Bolt
 ☑ SAE J994 Type F,
 CE, R10, AMECA
 ⌚ 2 Year



950-001 **SMART ALARM**
V 12-24
dB(A) 82-102
A 0.4
X 2 Bolt
 ☑ CE, R10, UL, IP65
 ⌚ 2 Year



575-001
V 12-24
dB(A) 107
A 0.9
X 2 Bolt
 ☑ SAE J994 Type B,
 CE, R10
 ⌚ 2 Year



EA5050 **MULTI FREQUENCY**
V 12-24
dB(A) 87
A 0.34
X 2 Bolt
 ☑ SAE J994 Type D,
 CE, R10, AMECA
 ⌚ 2 Year



520
V 12-24
dB(A) 97
A 0.2
X 2 Bolt
 ☑ SAE J994 Type C,
 CE, R10, AMECA, IP65
 ⌚ 2 Year



590-001
V 12-24
dB(A) 102
A 0.4
X 2 Bolt
 ☑ CE, R10, UL, IP64
 ⌚ 2 Year



610N-001
V 12-36
dB(A) 97
A 0.4
X 2 Bolt
 ☑ SAE J994 Type C,
 CE, R10, AMECA
 ECCOLIFE™



917N-001 **SMART ALARM** **MULTI FREQUENCY**
V 12-24
dB(A) 87-112
A 1.5
X 2 Bolt
 ☑ SAE J994 Type F,
 CE, R10, AMECA
 ECCOLIFE™

OTHER OPTIONS AVAILABLE

AUTRES OPTIONS DISPONIBLES
 WEITERE AUSFÜHRUNGEN ERHÄLTlich

WHITE LIGHTING

ECLAIRAGE INTERIEUR & PROJECTEURS DE TRAVAIL

WEISSES LICHT



150mm

EW0116

- T 18 LED
- V 12
- A 0.4
- L 350 Raw, 350 Effective
- Flood
- CE, RoHS, IP65
- 3 Year

EW0126

- T 18 LED
- V 24
- A 0.1
- L 350 Raw, 350 Effective
- Flood
- CE, RoHS, IP65
- 3 Year



600mm

EW0117

- T 36 LED
- V 12
- A 0.7
- L 700 Raw, 700 Effective
- Flood
- CE, RoHS, IP65
- 3 Year

EW0127

- T 36 LED
- V 24
- A 0.4
- L 700 Raw, 700 Effective
- Flood
- CE, RoHS, IP65
- 3 Year



170mm CLEAR

EW0320

- T 8 LED
- V 12-24
- A 0.1
- L 200 Raw, 200 Effective
- Flood
- CE, RoHS,
- 3 Year



350mm MODULAR FROST

EW0351

- T 16 LED
- V 12
- A 0.5
- L 300 Raw, 250 Effective
- Flood
- CE, RoHS
- 3 Year



CONNECT MULTIPLE UNITS TOGETHER

Multiple lengths available



330mm

L897.00.LDV

- T LED
- V 10-32
- A 0.15
- L 130mm
- 130 Effective
- R10
- 5 Year

Bulb version also available



450mm

EW0600

- T 96 LED
- V 12-24
- A 1.7
- L 2000 Raw, 1900 Effective
- Flood
- CE, RoHS
- 3 Year



140mm

EW0400

- T 10 LED
- V 12-24
- A 0.4
- L 200 Raw, 200 Effective
- Flood
- CE, R10, RoHS, IP64
- 3 Year



300mm

EW0401

- T 22 LED
- V 12-24
- A 0.7
- L 450 Raw, 450 Effective
- Flood
- CE, R10, RoHS, IP64
- 3 Year



330mm

EW0700

- T 6 LED
- V 12-24
- A 0.5
- L 400 Raw, 350 Effective
- Flood
- CE, RoHS
- 3 Year



560mm

EW0701

- T 12 LED
- V 12-24
- A 0.9
- L 1250 Raw, 1200 Effective
- Flood
- CE, RoHS
- 3 Year

OTHER LENGTH & TYPE OPTIONS AVAILABLE

AUTRES OPTIONS DE LONGUEUR ET DE TYPE DISPONIBLES
WEITERE LÄNGEN UND AUSFÜHRUNGEN ERHÄLTICH

ECCOESG.CO.UK



ESGEMEA

esg-emea

ESG_EMEA

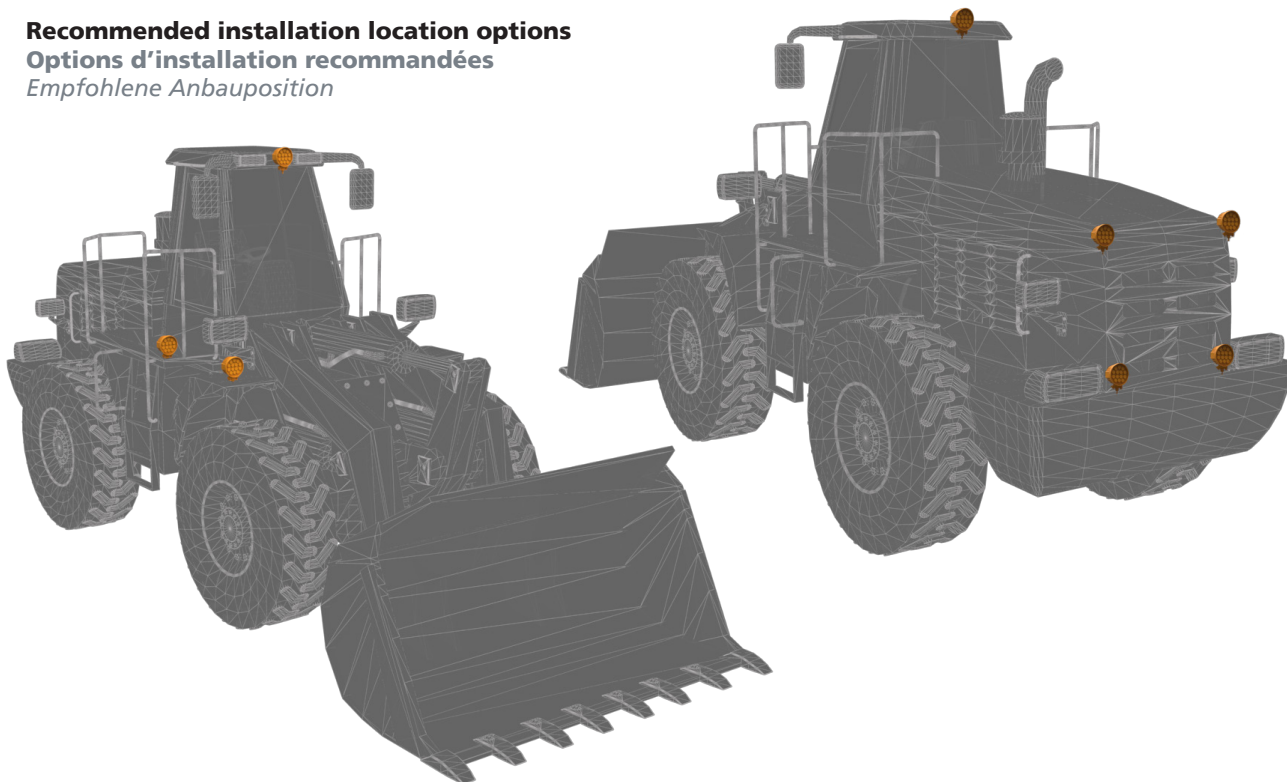
ESG EMEA

esg_emea

Recommended installation location options

Options d'installation recommandées

Empfohlene Anbauposition



EW2451
V 12-24
A 2.2
L 1300 Raw, 1100 Effective
 Flood
 CE
 3 Year



EW2461
V 12-24
A 3.2
L 650 Raw, 600 Effective
 Flood
 IP67, CE
 1 Year



EW2471
V 12-24
A 1.2
L 550 Raw, 500 Effective
 Flood
 IP67, CE, R10
 3 Year



E92027
V 12-24
A 1.2
L 900 Raw, 850 Effective
 Flood
 IP67, CE
 2 Year



EW2431
V 12-24
A 3.1
L 2600 Raw, 2100 Effective
 Flood
 IP67, CE
 2 Year



EW2411
V 12-24
A 1.3
L 1000 Raw, 900 Effective
 Flood
 IP67, CE, R10
 2 Year



EW2501
V 12-24
A 3.0
L 2900 Raw, 2450 Effective
 Flood
 IP67, CE
 2 Year



EW3124
V 12-24
A 8.7
L 5900 Raw, 4400 Effective
 Flood / Spot Combo
 R10
 3 Year

OTHER OPTIONS AVAILABLE

AUTRES OPTIONS DISPONIBLES
 WEITERE AUSFÜHRUNGEN ERHÄLTlich

MANDATORY & MIRRORS

ECLAIRAGE REGLEMENTAIRE & RETROVISEURS

VORGESCHRIEBENE FAHRZEUGBELEUCHTUNG UND SPIEGEL



L13.00.LDV
LED Rear combination lamp
12-24 VDC
Fog function also available
2 bolt mount
R6, R7, R23, R38, R10, IP67
Five years warranty



L13.01.LDV
LED Rear combination lamp
12-24 VDC
Fog function included
2 bolt mount
R6, R7, R23, R38, R10, IP67
Five years warranty



L12.01.LDV
LED Rear combination lamp
12-24 VDC
Other options available
2 bolt mount
R6, R7, R23, R38, R10, IP67
Five years warranty



L12.500.LDV
LED Rear combination lamp
12-24 VDC
5 functions ST/DI/Fog/Reverse
2 bolt mount
R6, R7, R23, R38, R10
Five years warranty



L450.100.LMV
LED marker lamp
12-24 VDC
2 bolt mount
R10, R7, R91
Five years warranty



L450.200.LMV
LED marker lamp
12-24 VDC
2 bolt mount 60°
R10, R7, R91
Five years warranty



L450.300.LMV
LED marker lamp
12-24 VDC
2 bolt mount 90°
R10, R7, R91
Five years warranty



ED00016A
Magnetic LED Warning Light
Flashing and steady burn
Neodymium magnet mount
Powered by 4 AA batteries
One year warranty



L9004.00.LDV
LED rear combination lamp
10-30 VDC
Vertical and horizontal mount
R10, R6, R7, R23, R38
Five years warranty



L867.00.LDV
Rear registrational LED Lamp
10-30 VDC
2 bolt mount
R4, R10
Five years warranty



867.00.LB
Rear registrational Bulb Lamp
12 or 24 VDC
2 Bolt Mount
R4
Two years warranty

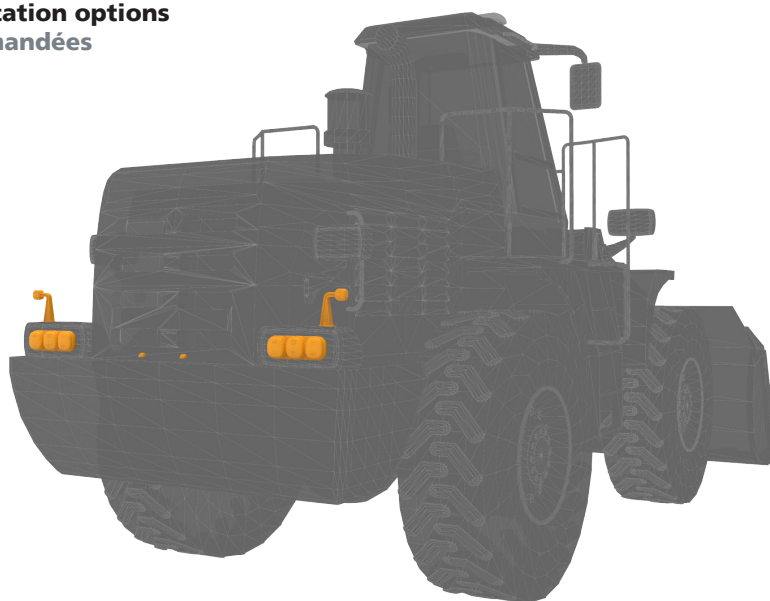


868.00.LB
Rear registrational Bulb Lamp
12 VDC
2 Bolt Mount
R4
Two years warranty

Recommended installation location options

Options d'installation recommandées

Empfohlene Anbauposition



OTHER OPTIONS AVAILABLE

AUTRES OPTIONS DISPONIBLES
WEITERE AUSFÜHRUNGEN ERHÄLTlich

ECCOESG.CO.UK



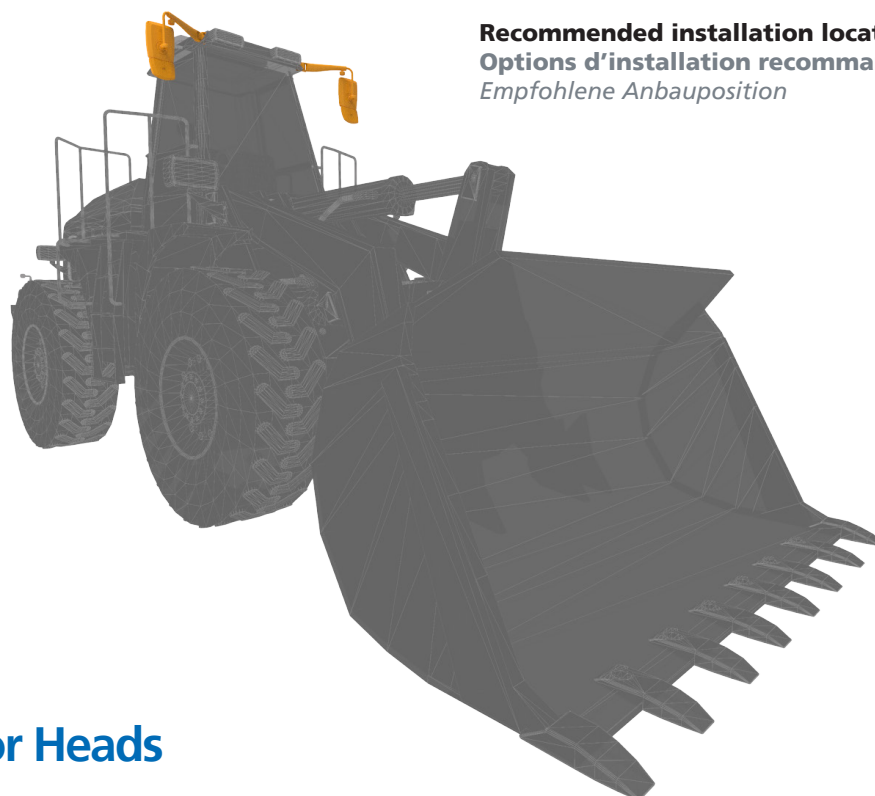
ESGEMEA

esg-emea

ESG_EMEA

ESG EMEA

esg_emea



Recommended installation location options
Options d'installation recommandées
Empfohlene Anbauposition

Mirror Heads



7106.000.A
 Rear view mirror.
 Glass spherical radius
 R1800mm. To fit
 Ø22mm arms.
 Two year warranty



7112.020.AM
 Rear view mirror.
 Glass spherical radius
 R450. To fit arms
 Ø10 - Ø22mm.
 Two year warranty



7132.201.A
 Rear view mirror
 Glass spherical radius
 R1400. To fit arms
 Ø16mm - Ø22mm.
 Two year warranty



7182.301.AM
 Rear view mirror
 Glass spherical radius
 R1200. To fit arm
 Ø16mm.
 Two year warranty



7182.320.A
 Universal fit rear view
 mirror. Glass spherical
 radius R2100mm. To fit
 arms Ø10 - Ø22mm.
 Two year warranty

Mirror Arms



7200.007.A
 Black. 'Midibrac' arm
 assembly Ø16mm
 tube. Spring loaded
 adjustment. 2 x M6
 mounting Holes.
 Two year warranty



7219.044/045
 Black. 'D' arm
 assembly Ø16mm tube.
 Spring loaded
 adjustment. 4 x 11mm
 mounting holes.
 Two year warranty



7200.050.A
 Black. 'Midibrac' arm
 assembly Ø16mm tube.
 Spring loaded
 adjustment. 2 X M6
 mounting holes.
 Two year warranty



7200.025.A
 Black. 'Midibrac' arm
 assembly Ø16mm
 tube. Spring loaded
 adjustment. 2 X M6
 mounting holes.
 Two year warranty



7200.099.A
 Black. 'Midibrac' arm
 assembly Ø16mm tube.
 Spring loaded
 adjustment. 2 X M8
 mounting holes.
 Two year warranty

OTHER OPTIONS AVAILABLE

AUTRES OPTIONS DISPONIBLES
 WEITERE AUSFÜHRUNGEN ERHÄLTlich



ESGEMEA



esg-emea



ESG_EMEA



esg_emea



ESG EMEA

FOLLOW US

SUIVEZ NOUS | FOLLOW US

For a chance to win prizes, receive exclusive offers and get the latest news from ECCO! Search for **ECCOSAFETY** on Facebook and also check out Instagram, Twitter, YouTube and LinkedIn.

Pour avoir une chance de gagner des prix, recevez des offres exclusives et recevez les dernières nouvelles d'ECCO! Recherchez ECCOSAFETY sur Facebook et consultez également Instagram, Twitter, YouTube et LinkedIn.

Suchen Sie nach ECCOSAFETY auf Facebook oder schauen Sie auf Instagram, Twitter, YouTube und LinkedIn – und gewinnen Sie Preise, erhalten exklusive Angebote, sowie die aktuellsten Neuheiten von ECCO!

FOR MORE INFORMATION VISIT

ECCOESG.CO.UK

SLEEK. INTUITIVE. COMPREHENSIVE



WHY ECCO PRODUCTS INDUSTRY RESOURCES 

BUILT RIGHT, BUILT TO LAST.

At ECCO, we know that your reputation is on the line with every construction job you undertake. That's why we make durable products that help you stay safe and focused under all kinds of conditions.



REAR VIEW

MADE TO YOUR SPECIFIC NEEDS

FRONT LOADER ▼

[VIEW ALL FRONT LOADER PRODUCTS](#)



BEST SELLING
7660 ROTOLED™ SERIES



FEATURED
MULTI-FREQUENCY ALARMS



PREMIUM CHOICE
EQUINOX™ SQUARE LED WORKLAMP

POUR PLUS D'INFORMATIONS VISITEZ LE NOUVEAU SITE ECCOESG.CO.UK, ATTRAYANT. INTUITIF. COMPLET

FÜR WEITERE INFORMATIONEN BESUCHEN SIE UNSERE NEUE WEBSITE ECCOESG.CO.UK

ESG[®]

ECCO SAFETY GROUP

ECCOESG.CO.UK



ESGEMEA



esg-emea



ESG_EMEA



ESG EMEA



esg_emea



Distributed by:
Distribué par:
Erhältlich von:

MKT021



ESG UK (EMEA HQ)

Unit 1, Green Park, Coal Road,
Leeds, LS14 1FB, United Kingdom
T: +44 (0)113 237 5340
E: sales@eccogroup.com

ESG FRANCE

Bâtiment A15, 5 Avenue Lionel Terray,
Meyzieu, 69330, France
T: +33 4 78 79 60 00
E: adv@eccogroup.com

ESG GERMANY

Riedweg 58-60,
Ulm, 89081, Germany
T: +49 731 935 210
E: ulm@eccogroup.com