



ECCO[®]
Britax



AGRICULTURAL SOLUTIONS

SOLUTIONS POUR ENGINES AGRICOLES

LÖSUNGEN FÜR DIE LANDWIRTSCHAFT

KEEPING YOU SAFE IN THE

AU SERVICE DE VOTRE SICHERHEIT AM

WORKPLACE

SECURITE

ARBEITSPLATZ

At ECCO Safety Group, we understand that Agriculture is a way of life. Planting and harvesting, calving and milking, repairs and maintenance won't wait until we have good weather conditions. You need equipment that lets you take care of business safely – rain or shine, night or day. With an ECCO solution, you can.

For decades, Agriculture has been associated with the production of essential food crops and a stable agricultural sector ensures a nation of food security. Agriculture plays a crucial role in the entire life of a given economy and it is the backbone of the economic system of a given country.

Safety is paramount in the Agricultural Industry and lighting is a crucial aspect of safety as many hours of work are spent in the dark. High powered work lamps and flood beams need to operate in very low light levels. The materials used by ECCO meet the increased requirements for stability and resistance to dirt and humidity – as also proven by our extensive quality tests. IP65 rating also offers great protection from rain and dust. Here at ECCO we supply all of the notable Agricultural vehicle manufacturers with product ranging from mirror systems, safety lighting to back-up alarms and we are pleased to offer this also via our global network of wholesale distributor.

Chez ECCO Safety Group nous comprenons que l'agriculture est un mode de vie. Les travaux agricoles, la récolte, la plantation n'attendent pas le beau temps, les équipements doivent permettre travailler dans toutes les conditions. Avec ECCO nous avons la solution.

La sécurité est primordiale dans l'agriculture et l'éclairage est un aspect crucial de cette sécurité, en particulier la nuit. Des phares de travail de haute puissance sont nécessaires dans des niveaux d'éclairage très faibles. Les produits ECCO répondent parfaitement aux exigences de conditions extérieures, comme le prouvent nos nombreux tests de qualité. La classification IP65 offre également une protection exceptionnelle contre la pluie. Nous fournissons à tous les constructeurs de véhicules agricoles notre large gamme de produits : rétroviseurs, signalisation lumineuse, système d'alarme.

Wir von ECCO Safety Group verstehen, dass ein Landwirt sein Leben nach den Anforderungen seinen Berufs ausrichten muss. Pflanzen, ernten, füttern, melken sowie Wartung und Reparaturen der Maschinen können nicht auf gutes Wetter warten. Deshalb wird Ausrüstung benötigt, die Ihre tägliche Arbeit unterstützt und den Arbeitsplatz sicherer macht. Ob bei Regen, Sonnenschein, Tag oder Nacht, unsere Lösungen helfen Ihnen dabei.

Über Jahrzehnte wurden Landwirte nur als Nahrungsmittelproduzenten verstanden. Auch heute wird noch oft übersehen, dass die Landwirtschaft eine Schlüsselrolle für das gesamte Leben einer Gesellschaft spielt und eigentlich das Rückgrat der Wirtschaft einer Region oder eines ganzen Landes ist.

Sicherheit steht über allem und Beleuchtung ist ein entscheidender Sicherheitsaspekt, da viele Arbeitseinsätze mittlerweile in der Dunkelheit stattfinden. Hochleistungsarbeitsscheinwerfer und Flutlicht müssen die Nacht zum Tag machen. Die Komponenten in ECCO Produkten sind dafür gemacht, härtesten Anforderungen zu widerstehen. Seien es Feuchtigkeit, Schmutz, Vibrationen. Das beweisen wir mit unseren umfangreichen Qualitätstests. Die Schutzklasse IP65 bietet besten Schutz gegen Feuchtigkeit und Schmutz. Unsere Spiegelsysteme, Warnleuchten und Rückfahralarme finden Sie an landwirtschaftlichen Fahrzeugen von allen namhaften Herstellern. Im Fachhandel unterstützt uns ein globales Netz aus starken Partnern.



These are simply a selection of products that we have chosen to suit Agriculture Vehicles. For our full comprehensive range, please refer to our websites and catalogues.

Dans cette brochure vous trouverez notre sélection de produits pour engins agricoles. Pour notre gamme complète, visitez notre site Internet ou consultez nos catalogues.

In dieser Broschüre zeigen wir nur einen Auszug aus unserem Programm speziell für landwirtschaftliche Fahrzeuge. Eine umfassende Produktauswahl finden Sie auf unserer Internetseite und in unseren Katalogen.

Mirror Heads



7133.000.A
Rear view mirror
Glass spherical radius R1800. To fit 22mm tube thumbwheel fixing. As fitted to: New Holland & Case
Two year warranty



7132.000.A
Rear view mirror
Glass spherical radius R1800. To fit Ø16mm - Ø22mm. As fitted to: New Holland & Case
Two year warranty



7135.013.A
Heavy duty split mirror
main mirror is remote 12V and heated. Small mirror is manual and heated. L.H As fitted to: New Holland & Case
Two year warranty



7135.014.A
Heavy duty split mirror
main mirror is remote 12V and heated. Small mirror is manual and heated. R.H As fitted to: New Holland & Case
Two year warranty



7182.320.A
Universal fit mirror
Rear view mirror
Glass spherical radius R2100mm To fit arms Ø10 - Ø22mm As fitted to: JCB and various applications
Two year warranty

Mirror Arms



7200.007.A
Black. 'Midibrac' arm assembly Ø16mm tube. Spring loaded adjustment. 2 x M6 mounting Holes. As fitted to JCB and CAT
Two year warranty



7260.031.A
Black. L.H Heavy duty extendable arm assembly Ø22mm tube 2 x M10 Mounting holes. As fitted to: New Holland & Case.
Two year warranty



7260.036.A
Black. R.H Heavy duty extendable arm assembly Ø22mm tube 2 x M10 Mounting holes. As fitted to: New Holland & Case.
Two year warranty



7260.200.A
Black. L.H Heavy duty extendable arm assembly Ø22mm tube 2 x M10 Mounting holes. As fitted to: New Holland & Case.
Two year warranty



7260.201.A
Black. R.H Heavy duty extendable arm assembly Ø22mm tube 2 x M10 Mounting holes. As fitted to: New Holland & Case.
Two year warranty



Recommended installation location options
Options d'emplacement d'installation recommandées
Empfohlene Anbauposition

MINIBARS & BEACONS

RAMPES COMPACTES & GYROPHARES

MINI LEUCHTBALKEN UND RUNDUMLEUCHTEN



Recommended installation location options
Options d'emplacement d'installation recommandées
Empfohlene Anbauposition

5565 Series - Reflex™

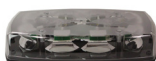
R65 LED Minibar

5550 Series - Reflex™

R65 LED Microbar



382mm # **5565A-VA1**
C Amber
V 12-24
A 2.7
F 120 FPM x 4
X 1 Bolt
⊗ R65, R10, IP65
⌚ 3 Year



382mm # **5565CA-VA1**
C Amber
V 12-24
A 2.7
F 120 FPM x 4
X 1 Bolt
⊗ R65, R10, IP65
⌚ 3 Year



278mm # **5550A-VA1**
C Amber
V 12-24
A 2.7
F 120 FPM x 4
X 1 Bolt
⊗ R65, R10, IP65,
 CE, RoHS
⌚ 3 Year



278mm # **5550CA-VA1**
C Amber
V 12-24
A 2.7
F 120 FPM x 4
X 1 Bolt
⊗ R65, R10, IP65,
 CE, RoSH
⌚ 3 Year

A450 Series

LED Minibar

DeltaLED Series

R65 LED Beacons



420mm # **A451.00.LMV**
C Amber
V 12-24
A 2.8
F 120 FPM
X 1 Bolt
⊗ R10
⌚ 5 Year



420mm # **A454.00.LMV**
C Amber
V 12-24
A 2.8
F 120 FPM
X Magnetic
⊗ R10
⌚ 5 Year



DB5007A
C Amber
V 12-24
A 1.4
F 125 FPM x 2
X Flexi 1 Bolt
⊗ R65, R10, IP65
⌚ 2 Year



DB5004A
C Amber
V 12-24
A 1.4
F 125 FPM x 2
X Magnetic
⊗ R65, R10, IP65
⌚ 2 Year

OTHER MOUNT & COLOUR OPTIONS AVAILABLE

AUTRES FIXATIONS ET COULEURS DISPONIBLES
 WEITERE MONTAGE - UND FARBMOGLICHKEITEN ERHALTLICH

EconomyLED Series

LED Beacons



DB5011A

- C Amber
- V 12-24
- A 0.35
- F 60 FPM
- X Flexi 1 Bolt
- ⊕ R10, IP65
- ⌚ 2 Year



DB5013A

- C Amber
- V 12-24
- A 0.35
- F 60 FPM
- X Magnetic
- ⊕ R10, IP65
- ⌚ 2 Year



DB5011G

- C Green
- V 12-24
- A 0.35
- F 60 FPM
- X Flexi 1 Bolt
- ⊕ R10, IP65
- ⌚ 2 Year



DB5013G

- C Green
- V 12-24
- A 0.35
- F 60 FPM
- X Magnetic
- ⊕ R10, IP65
- ⌚ 2 Year

390 Series

Rotate Beacons



395.100.12V

- C Amber
- V 12 (24 Available)
- A 4.6
- F 125 FPM x 1
- X Flexi DIN
- ⊕ R65, R10
- ⌚ 2 Year



394.00.12V

- C Amber
- V 12 (24 Available)
- A 4.6
- F 125 FPM x 1
- X Magnetic
- ⊕ R65, R10
- ⌚ 2 Year



B25.00.12V

- C Amber
- V 12 (24 Available)
- A 4.6
- F 125 FPM x 1
- X Flexi DIN
- ⊕ R65, R10
- ⌚ 2 Year



B24.00.12V

- C Amber
- V 12 (24 Available)
- A 4.6
- F 125 FPM x 1
- X Magnetic
- ⊕ R65, R10
- ⌚ 2 Year

B36 Series

Battery LED Beacon



B364.00.BAT

- C Amber
- V 2 x 1.5V (Batteries not supplied)
- F 120 FPM x 1
- X Magnetic
- ⌚ 2 Year



Recommended installation location options
Options d'emplacement d'installation recommandées
Empfohlene Anbauposition

OTHER MOUNT & COLOUR OPTIONS AVAILABLE

AUTRES FIXATIONS ET COULEURS DISPONIBLES
WEITERE MONTAGE - UND FARBMOGLICHKEITEN ERHÄLTICH

WORKLAMPS & INTERIOR LIGHTING

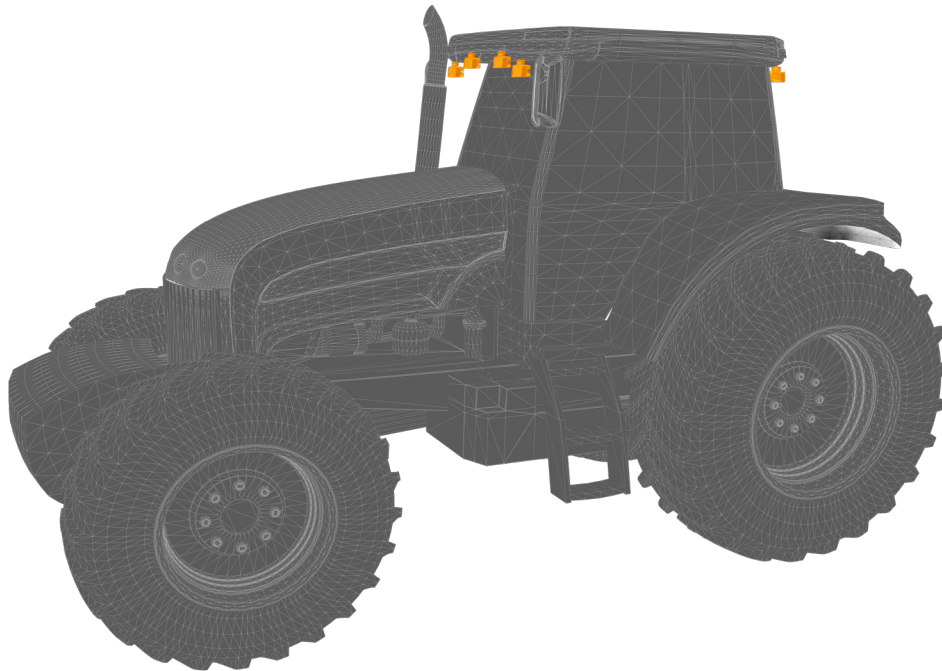
PHARES DE TRAVAIL & ECLAIRAGE INTERIEUR

ARBEITSSCHEINWERFER UND INNENLEUCHTEN

Recommended installation location options

Options d'emplacement d'installation recommandées

Empfohlene Anbauposition



EW2019

- V 12-24
- A 0.4
- L 600 Raw, 550 Effective
- Flood
- CE, IP67, RoHS
- 3 Year



EW2471

- V 12-24
- A 1.2
- L 550 Raw, 500 Effective
- Flood
- CE, R10, IP67
- 3 Year



EW2481

- V 12-24
- A 1.2
- L 600 Raw, 600 Effective
- Flood
- CE, R10, IP67
- 3 Year



EW2491

- V 12-24
- A 1.2
- L 550 Raw, 450 Effective
- Flood
- CE, R10, IP67
- 3 Year



EW2451

- V 12-24
- A 2.2
- L 1300 Raw, 1100 Effective
- Flood
- CE
- 3 Year



EW2461

- V 12-24
- A 3.2
- L 650 Raw, 600 Effective
- Flood (Magnetic)
- CE, IP67
- 1 Year



L71.02.LDV

- V 12-24
- A 1.0
- L 540 Raw, 540 Effective
- Flood (Magnetic)
- R10
- 5 Year



EW5430

- V 10-30
- A 2.4
- L 2400 Effective
- Main Beam Headlamp
- CE, R10, R112, IP68
- 2 Year

OTHER OPTIONS AVAILABLE

PLUSIEURS OPTIONS DISPONIBLES
WEITERE AUSFÜHRUNGEN ERHÄLTICH

Interior Lighting

12"

- # EW0116
 T 18 LED
 V 12
 A 0.4
 L 350 Raw, 350 Effective
 Flood
 CE, RoHS, IP65
 3 Year

24"

- # EW0127
 T 36 LED
 V 24
 A 0.4
 L 700 Raw, 700 Effective
 Flood
 CE, RoHS, IP65
 3 Year



4.5" CLEAR

- # EW0310
 T 4 LED
 V 12-24
 A 0.1
 L 100 Raw, 100 Effective
 Flood
 CE, RoHS
 3 Year



7" CLEAR

- # EW0320
 T 8 LED
 V 12-24
 A 0.1
 L 200 Raw, 200 Effective
 Flood
 CE, RoHS
 3 Year



14" MODULAR FROST

- # EW0351
 T 16 LED
 V 12
 A 0.5
 L 300 Raw, 250 Effective
 Flood
 CE, RoHS
 3 Year



CONNECT MULTIPLE UNITS TOGETHER



Multiple lengths available



13"

- # EW0700
 T 6 LED
 V 12-24
 A 0.5
 L 400 Raw, 350 Effective
 Flood
 CE, RoHS
 3 Year



22"

- # EW0701
 T 12 LED
 V 12-24
 A 0.9
 L 1250 Raw, 1200 Effective
 Flood
 CE, RoHS
 3 Year



5.5"

- # EW0400
 T 10 LED
 V 12-24
 A 0.4
 L 200 Raw, 200 Effective
 Flood
 CE, R10, RoHS, IP64
 3 Year



12"

- # EW0401
 T 22 LED
 V 12-24
 A 0.7
 L 450 Raw, 450 Effective
 Flood
 CE, R10, RoHS, IP64
 3 Year



Countertop Display

Part number POS001 (-UK or -EU)

Interior lighting countertop display (includes product and power supply)

Modèle d'exposition de l'éclairage intérieur (produits et prise de courant inclus)

Thekendisplay Innenleuchten (inklusive Leuchten und Stromversorgung)

OTHER LENGTH & TYPE OPTIONS AVAILABLE

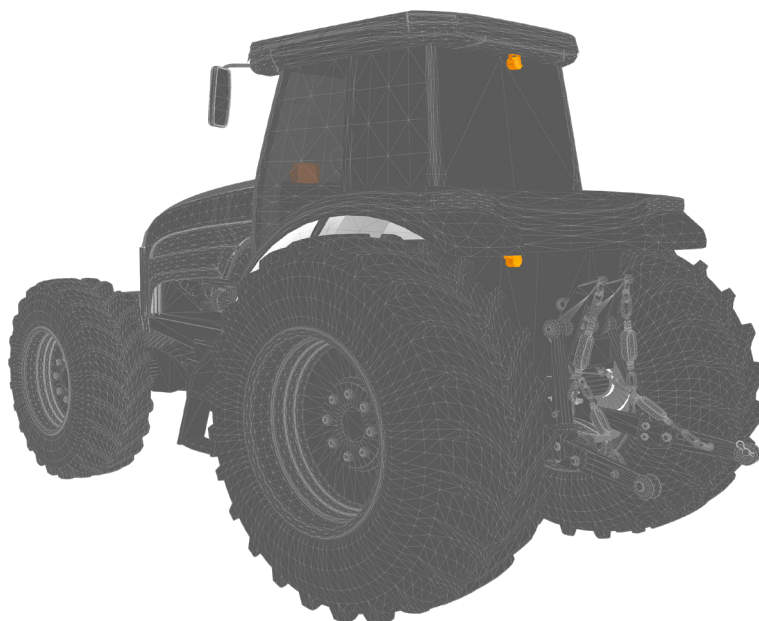
PLUSIEURS LONGUEURS ET TYPES DISPONIBLES
WEITERE LÄNGEN UND TYPEN ERHÄLTICH

REVERSING SAFETY & MANDATORY

SYSTEMES DE REcul & LANTERNERIE

RÜCKFAHR SICHERHEIT

Recommended installation location options Options d'emplacement d'installation recommandées Empfohlene Anbauposition



520-001
V 12-24
dB(A) 97
A 0.2
X 2 Bolt
 CE, e, UL, AMECA
 2 Year



SA950 SMART ALARM
V 12-24
dB(A) 82-102
A 0.4
X 2 Bolt
 CE, R10, UL, IP65
 2 Year



901N-001 SMART ALARM
V 12-24
dB(A) 82-107
A 0.3
X 2 Bolt
 CE, R10, UL, IP64
 ECCOLIFE™



830N-001
V 12-36
dB(A) 107
A 1.3
X 2 Bolt
 SAE J994 Type B,
 CE, R10, AMECA
 ECCOLIFE™



EC7000B-WK
 *7.0" LCD colour system
 2.4 GHz digital wireless system
 Internal controller
 Includes monitor sunshade
 Two camera expandable
 Wireless system - reduces
 installation time
 One year warranty



EC5605-WK
 *5.6" LCD LCD colour screen
 2.4 GHz digital wireless system
 Internal controller
 Includes monitor sunshade
 Four camera expandable
 Wireless system - reduces
 installation time
 One year warranty



K7000B
 *7" LCD colour system
 CMOS 18 LED infrared
 camera
 Includes monitor
 sunshade
 Two camera expandable
 One year warranty



EC7010-K
 *7" LCD Touch colour screen
 CMOS 18 LED infrared
 camera
 Includes monitor
 sunshade
 One camera expandable
 One year warranty

*Traduction disponible
 *Übersetzung verfügbar

OTHER CCTV & ALARM OPTIONS AVAILABLE

PLUSIEURS OPTIONS DISPONIBLES DANS NOTRE GAMME CAMERAS ET ALARMES
 WEITERE KAMERASYSTEME UND ALARMAUSFÜHRUNGEN ERHÄLTICH



L14.215.L12V

LED Rear combination lamp
12 VDC (24VDC Available)
RH Available L14.216
2 bolt mount
R3, R6, R7, R10
Five years warranty



L13.00.LDV

LED Rear combination lamp
12-24 VDC
Fog function also available
2 bolt mount
R6, R7, R23, R38, R10, IP67
Five years warranty



L12.01.LDV

LED Rear combination lamp
12-24 VDC
Other options available
2 bolt mount
R6, R7, R23, R38, R10, IP67
Five years warranty



L12.500.LDV

LED Rear combination lamp
12-24 VDC
5 functions ST/DI/Fog/Reverse
2 bolt mount
R6, R7, R23, R38, R10
Five years warranty



L450.100.LMV

LED marker lamp
12-24 VDC
2 bolt mount
R10, R7, R91
Five years warranty



L450.200.LMV

LED marker lamp
12-24 VDC
2 bolt mount 60°
R10, R7, R91
Five years warranty



L450.300.LMV

LED marker lamp
12-24 VDC
2 bolt mount 90°
R10, R7, R91
Five years warranty



ED00016A

Magnetic LED Warning Light
Flashing and steady burn
Neodymium magnet mount
Powered by 4 AA batteries
One year warranty



L47.01.LDV

LED Side Marker Lamp
12-24 VDC
Other options available
R3, R10, R91
Five years warranty



L9004.00.LDV

LED rear combination lamp
10-30 VDC
Vertical and horizontal mount
R10, R6, R7, R23, R38
Five years warranty



L867.00.LDV

Rear registrational LED Lamp
10-30 VDC
2 bolt mount
R4, R10
Five years warranty



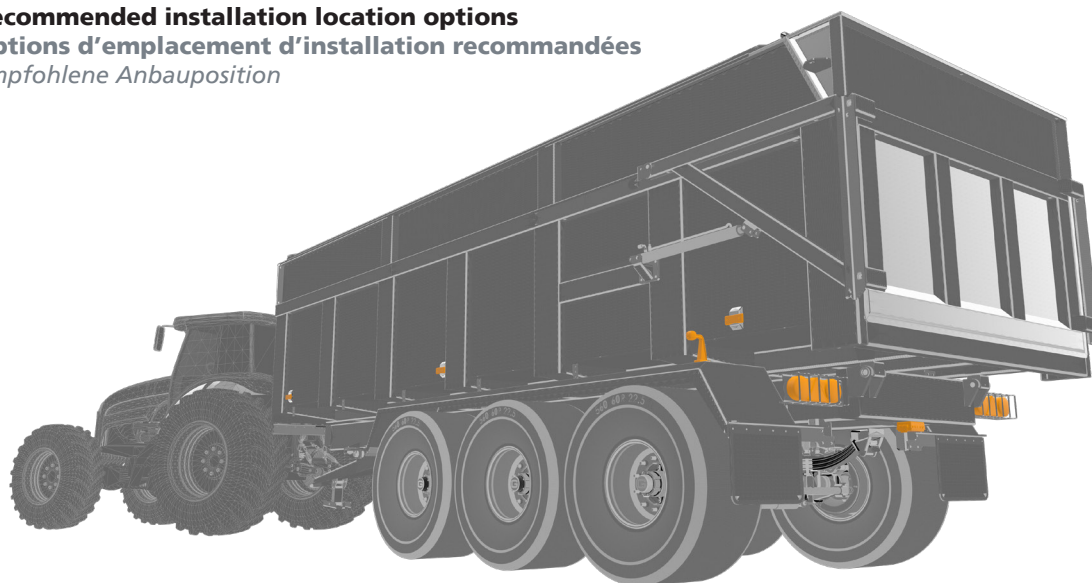
E05.00

10 way junction box
12-24 VDC
Two years warranty

Recommended installation location options

Options d'emplacement d'installation recommandées

Empfohlene Anbauposition



OTHER OPTIONS AVAILABLE

PLUSIEURS OPTIONS DISPONIBLES
WEITERE AUSFÜHRUNGEN ERHÄLTICH

DIRECTIONAL LEDS & LIGHTBARS

FEUX DE PENETRATION & RAMPES LUMINEUSES

LED BLITZMODULE UND LEUCHTBALKEN



ED5100CA

- C Amber
- V 10-30
- A 1.2
- X Surface/Bracket
- ⊗ R65, R10, IP67
- ⌚ 3 Year

AVAILABLE COLOURS

Amber, Blue, Red & Amber/Blue



3812A

- C Amber
- V 12-48
- A 0.4
- X Surface/Bracket
- ⊗ R65, R10
- ⌚ 3 Year

AVAILABLE COLOURS

Amber, Blue, Clear & Red

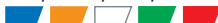


ED3777A

- C Amber
- V 12-24
- A 1.8
- X Multi Mount
- ⊗ R65, R10, CE, IP67
- ⌚ 3 Year

AVAILABLE COLOURS

Blue, Amber, Clear, Green & Red



ED0001A

- C Amber
- V 12-24
- A 0.7
- X 2 Bolt / 1 Bolt Bracket
- ⊗ R65, R10, IP67
- ⌚ 1 Year

AVAILABLE COLOURS

Amber, Blue, Clear, Green & Red



ED3701A Single - or split-colour

- C Amber
- V 12-24
- A 0.9
- X Surface
- ⊗ R65, R10
- ⌚ 3 Year

AVAILABLE COLOURS

Amber, Blue, Clear, Green & Red



L55.10.DV

- C Amber
- V 12-24
- A 1.5
- X Surface
- ⊗ R65, R10
- ⌚ 5 Year

AVAILABLE COLOURS

Amber, Blue, Clear, Green & Red



L95.00.LDV

- C Amber
- V 12-24
- A 0.6
- X Surface
- ⊗ R65, R10, IP67
- ⌚ 3 Year

AVAILABLE COLOURS

Amber, Blue



L96.00.LDV

- C Amber
- V 12-24
- A 0.3
- X Surface
- ⊗ R65, R10, IP67
- ⌚ 3 Year

AVAILABLE COLOURS

Amber, Blue



Where applicable, change A in part number to available colour

Recommended installation location options

Options d'emplacement d'installation recommandées

Empfohlene Anbauposition



OTHER MOUNT & COLOUR OPTIONS AVAILABLE

AUTRES FIXATIONS ET COULEUR DISPONIBLES
WEITERE MONTAGE - UND FARBMOEGLICHKEITEN ERHALTLICH

13 Series

R65 LED Lightbar



770mm # 13-00001-E
C Amber
T 24 LED Modules
V 12-24
A 5.6
 Ⓢ R10, R65
 Ⓟ 5 Year



1000mm # 13-00004-E
C Amber (Clear Lenses)
T 24 LED Modules
V 12-24
A 5.6
 Ⓢ R10, R65
 Ⓟ 5 Year

OPTIONAL ACCESSORY
EZ0006



- Convenient and easy control
- 24 built-in flash patterns
- Simply plug-n-play

ACCESSOIRE OPTIONNEL

- Contrôle pratique et facile
- 24 modes de clignotement
- Mise en œuvre Plug-and-play

OPTIONALES ZUBEHÖR

- Praktische und einfache Bedienung
- 24 eingebaute Blitzmuster
- Einfach Plug-and-Play

A13 Series

LED Lightbar



770mm # A13722.040.LDV
C Amber (Clear Lenses)
T 12 LED Modules
V 12-24
A 2.0
 Ⓢ R10
 Ⓟ 5 Year



1000mm # A13732.200.LDV
C Amber
T 16 LED Modules
V 12-24
A 2.5
 Ⓢ R10
 Ⓟ 5 Year

A6 Series

R65 LED Lightbar



770mm # A6624.000.LDV
C Amber
T 4 LED Modules
V 12-24
A 9.0
 Ⓢ R10, R65
 Ⓟ 5 Year



1000mm # A6642.200.LDV
C Amber, Centre Illumination
T 2 LED Modules
V 12-24
A 4.5
 Ⓢ R10, R65
 Ⓟ 5 Year

OTHER MOUNT & COLOUR OPTIONS AVAILABLE

AUTRES FIXATIONS ET COULEUR DISPONIBLES
WEITERE MONTAGE - UND FARBMOGLICHKEITEN ERHÄLTICH



ECCO[®]
Britax



Distributed by:
Distribué par:
Erhältlich von:

ESG[®]
ECCO SAFETY GROUP

European Headquarters: Unit 1, Green Park, Coal Road, Leeds, LS14 1FB
+44 (0)113 237 5340 | sales@eccogroup.com | www.eccolink.co.uk

A Division of ESG | www.eccoesg.co.uk

MKT009