



Industrial strength in capturing:

- BLENDING
- POURING
- DRY DUSTS
- MIXING
- CHEMICAL FUMES
- POWDERS

888-372-0050

Sales@IAP-AirProducts.com

www.IAP-AirProducts.com

Industrial Stainless Steel Fume Arm



Hanging Arm



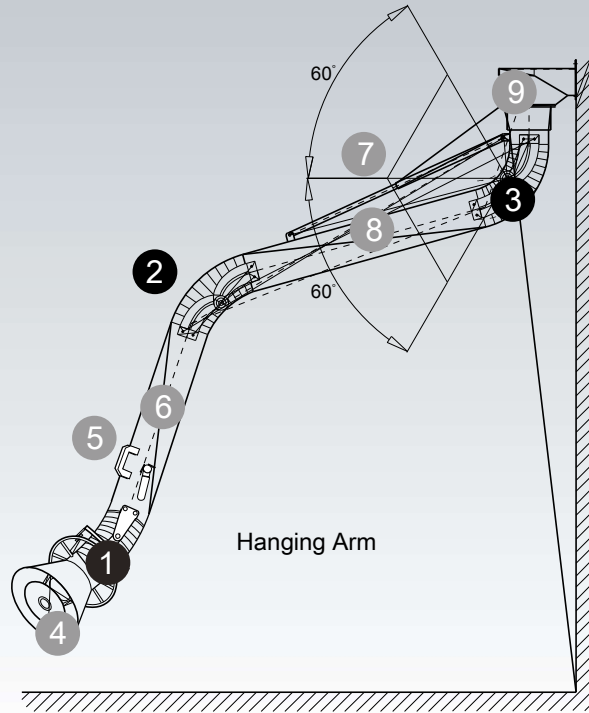
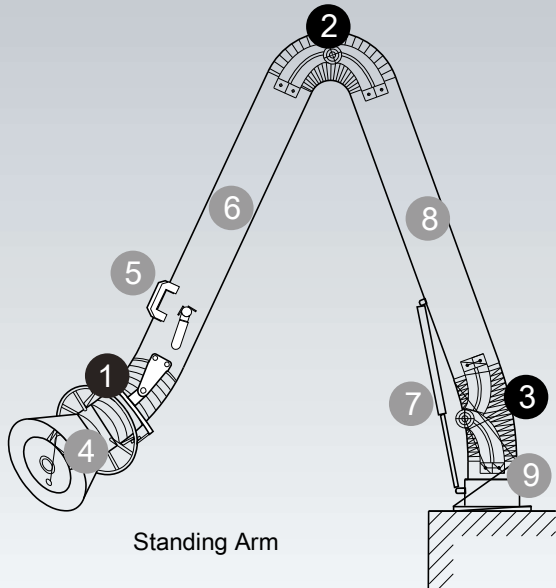
Standing Arm

Industrial Strength Construction

- 1 HOOD JOINT**
Hood easily positions forward, backward and sideways.
All external adjustments.
Flexible hose with gear clamps.

- 2 MIDDLE JOINT**
All external adjustments.
200°F Flexible hose with gear clamps.
FDA Pur Antistatic hose.

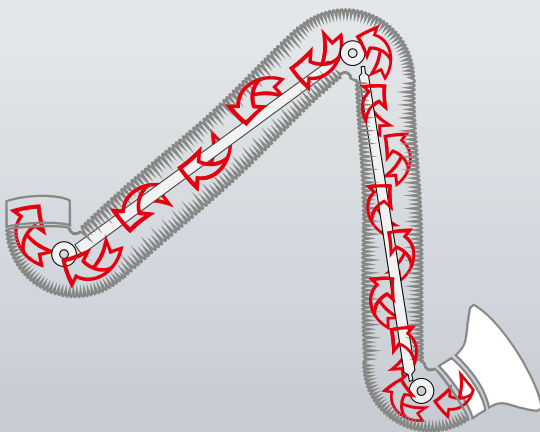
- 3 SOCKET JOINT**
Rotating swivel with safety stop, for 180° rotation. All external adjustments. Flexible hose with gear clamps.



- 4** 304 Stainless Steel Hood with surrounding grab handle.
5 Additional tube grab handle.
6 304 Stainless Steel tube with damper.
7 Support spring or gas shock on the outside on both versions.

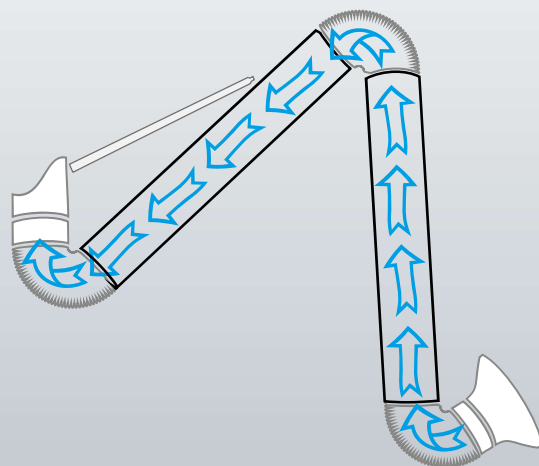
- 8** 304 Stainless Steel tube.
9 Swivel base with predrilled mounting holes, 350° rotation.

Comparison



Other Brands - Internal Components

- restricted airflow
- higher static pressure
- hard to clean
- build up on joint and components



IAP Fume Arm - External Components

- unrestricted airflow
- lower static pressure
- quick cleaning
- minimal build up

Industrial Stainless Steel Fume Arm

IAP Air Products · 888-372-0050 · Sales@IAP-AirProducts.com



Applications:

- Blending · Mixing · Pouring
- Chemical Fumes and many more!

Features:

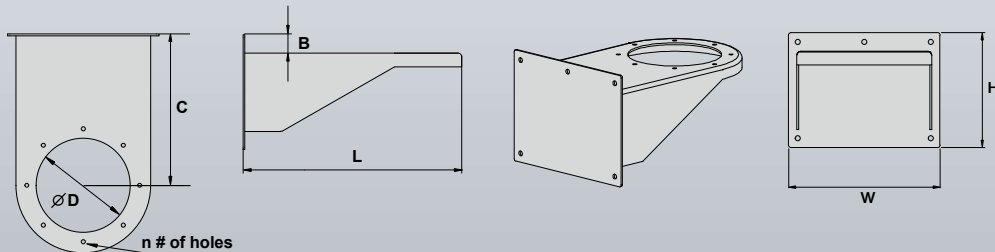
- Industrial strength
- Versatile design
- Smooth tube construction
- External joints and supports
- Hood and tube grab handles
- Air diverter in the hood
- Standard damper
- FDA Pur Antistatic hose (200°F, intermittent 260°F)

Benefits:

- Long lasting life time
- User-friendly operation
- Higher airflow performance
- Easy to adjust and maintain
- Simple positioning
- Increased capture velocity
- Damper and mounting bracket included

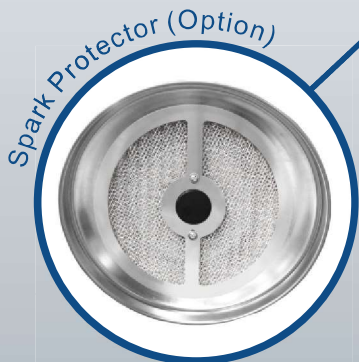
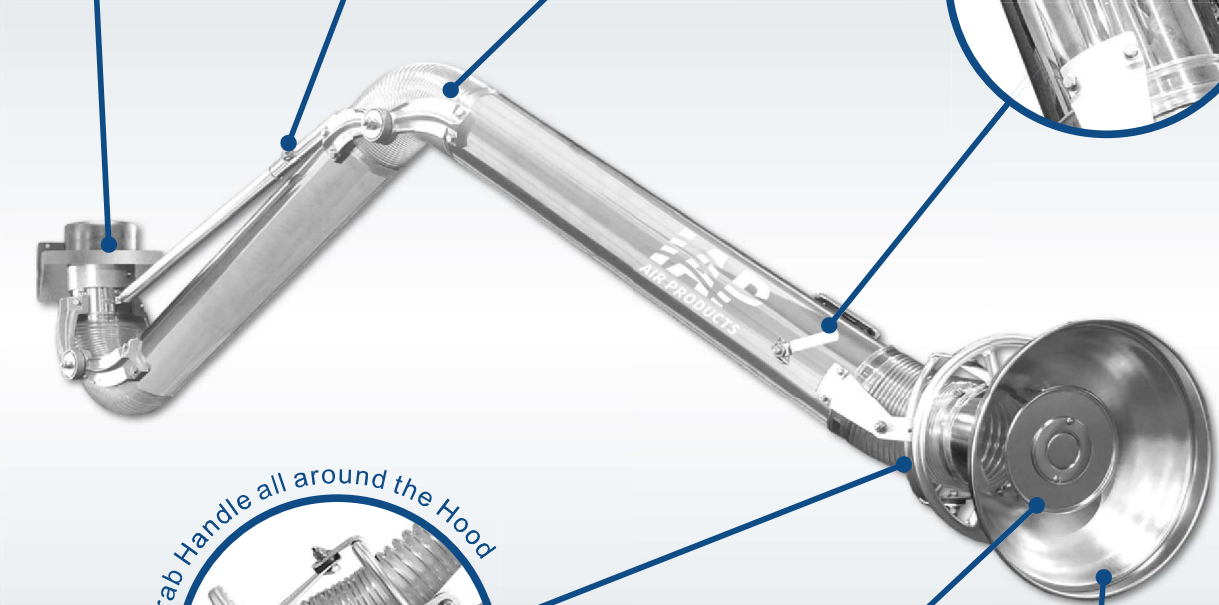
Standard Hanging Mount Brackets

Bracket type Ø [inches]	n	ØD [inches]	C [inches]	L [inches]	B [inches]	W [inches]	H [inches]
3	4	3.0	4.8	8.0	1.0	7.3	5.2
4	4	4.0	4.9	8.5	1.4	7.9	5.7
5	6	5.0	5.7	9.9	1.5	9.4	6.5
6	6	6.0	9.8	14.5	1.3	10.0	6.5
8	8	8.0	9.8	15.7	1.5	13.9	8.5



Industrial Stainless Steel Fume Arm

IAP Air Products · 888-372-0050 · Sales@IAP-AirProducts.com



Technical Data

Arm Part #	Tube Diameter [inches]	Arm Length [Feet]	Hood Diameter [inches]	Ductwork Connection [inches]	Mounting Configuration	CFM range [cfm]
FA-0303	3	3	8	3	Hanging or Standing	150-300cfm
FA-0305	3	5	8	3	Hanging or Standing	150-300cfm
FA-0405	4	5	10	4	Hanging or Standing	300-600cfm
FA-0408	4	8	10	4	Hanging	300-600cfm
FA-0507	5	7	10	5	Hanging or Standing	450-750cfm
FA-0510	5	10	10	5	Hanging	450-750cfm
FA-0607	6	7	13	6	Hanging or Standing	600-1200cfm
FA-0610	6	10	13	6	Hanging	600-1200cfm
FA-0614	6	14	13	6	Hanging	600-1200cfm
FA-0807	8	7	14	8	Hanging or Standing	950-1800cfm
FA-0810	8	10	14	8	Hanging	950-1800cfm
FA-0814	8	14	14	8	Hanging	950-1800cfm

* All hanging arms include wall bracket and galvanized ductwork connection.

EQUIPMENT OPTIONS			HOOD OPTIONS
Exhaust Fan	Floor Stanchions	Light Kits	20" diameter hoods for 6" arms
Ceiling Stanchions	Extension Booms	Wall Stanchions	20" diameter hoods for 8" arms



Dealer Information / Contact:



888-372-0050
 Sales@IAP-AirProducts.com
 IAP Air Products
 580 Technology Drive
 Sparta, TN 38583

SINGLE SOURCE FOR
 Fume / Welding / Dust Arms
 Ambient Air Cleaners, Mobile Welding Units
 Dust Collectors, Vehicle Exhaust, etc.
 at www.IAP-AirProducts.com