

Stainless Steel Hanging Fume Arm FA-0814-H-SS

Tube Diameter: 8"

Arm Length: 14'

Hood Diameter: 14"

Ductwork Connection: 8"

Mounting Configuration: Hanging

Arm Construction: Two Grade 304 stainless steel tubes, three pieces of clear FDA hose at joints, stainless steel hood, anodized aluminum swivel base, anodized aluminum support spring and stainless steel hardware, bolts and nuts.

Arm Adjustment: Externally supported, adjustments are quickly done at the joints.

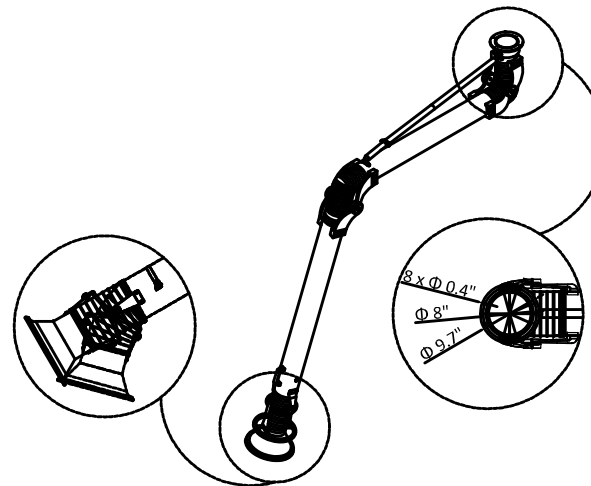
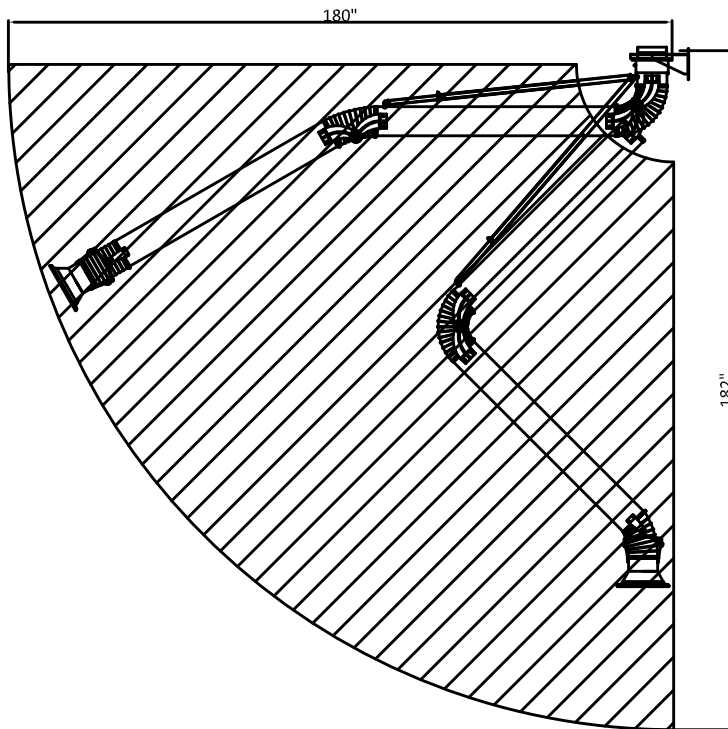
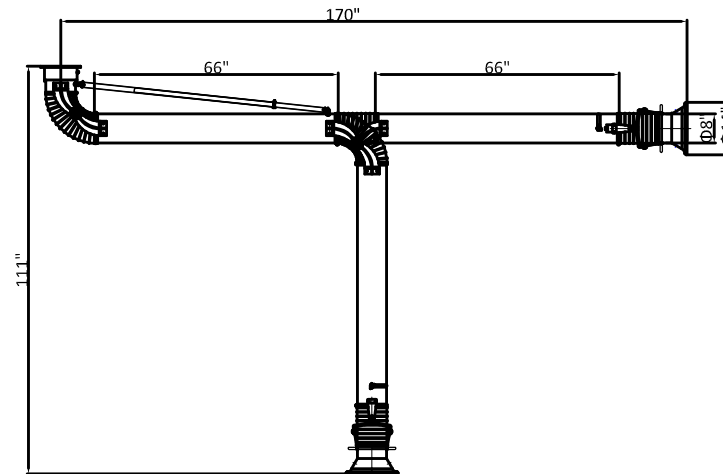
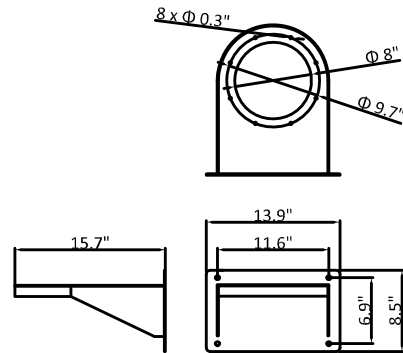
Damper: Internal with external adjustment.

Hose: Rated at 200°F (intermittent 260°F)

Mounting bracket: 8"

Accessories:

- light kit
- Spark protector



www.IAP-AirProducts.com

580 Technology Drive,
Sparta, TN 38583

Sales@IAP-AirProducts.com

SCALE	1:20	DRAWN	JW
		CHECKED	DM
PROJECTION		DATE	2021.02.09

DWG NO.	REV
FA-0814-H-SS	A