

Hanging Fume Arm

FA-0810-H

Tube Diameter: 8"
Arm Length: 10'
Hood Diameter: 14"
Ductwork Connection: 8"
Mounting Configuration: Hanging

Arm Construction: Two galvanized steel tubes, three pieces of flex hose at joints, aluminum hood, heavy gauge steel swivel base, and support spring.

Arm Adjustment: Externally supported, adjustments are quickly done at the joints.

Damper: Internal with external adjustment.

Finish: Powder coated.

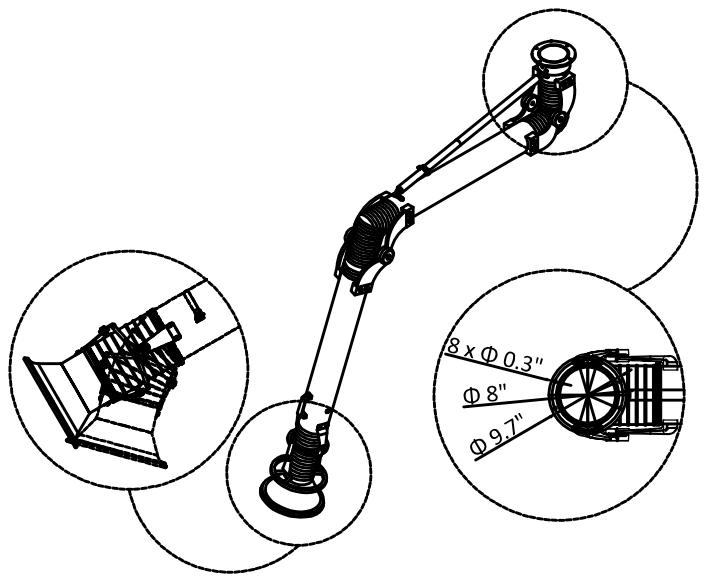
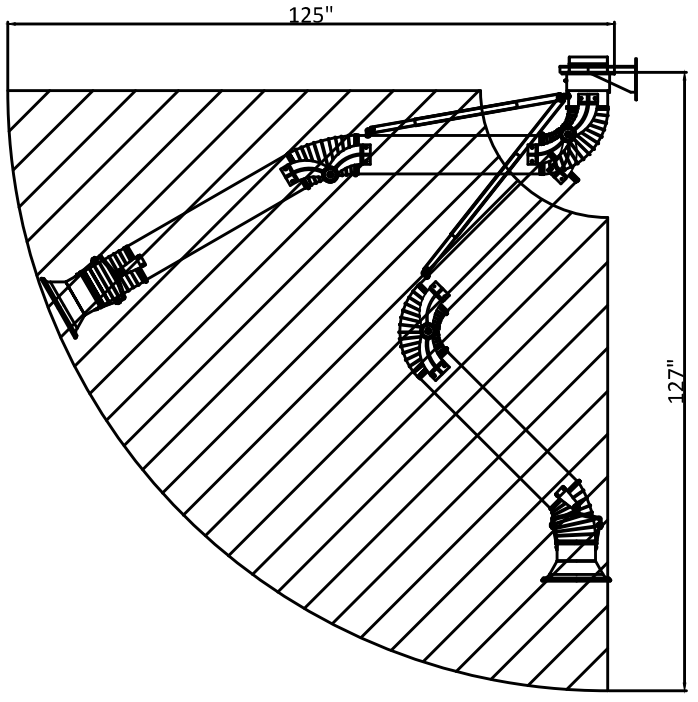
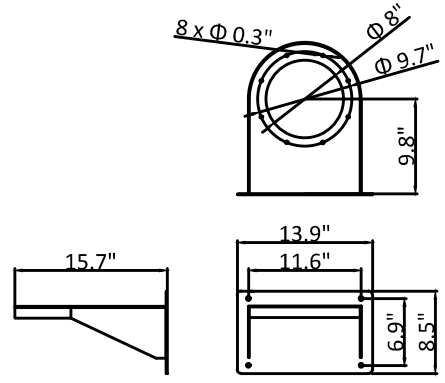
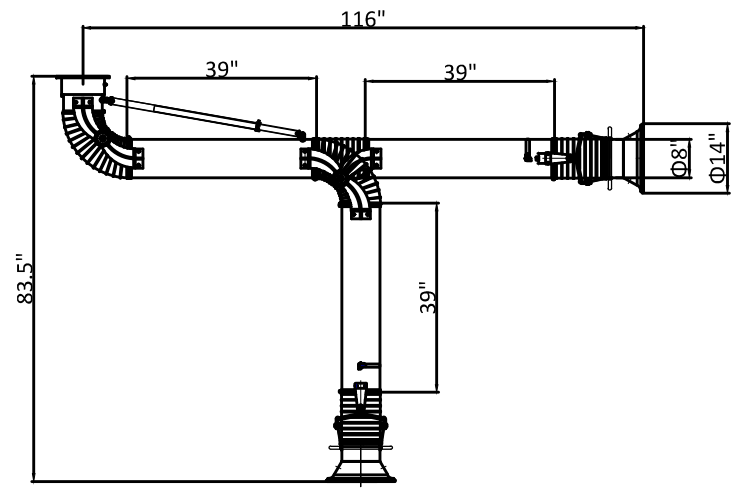
Hose: Rated to 195°F (intermittent 260°F)

Paint Color: Blue RAL5010, Black RAL9005

Mounting bracket: 8"

Accessories:

- light kit
- Spark protector



580 Technology Drive,
 Sparta, TN 38583
 Sales@IAP-AirProducts.com

SCALE	1:20	DRAWN	JW
		CHECKED	DM
PROJECTION		DATE	2020.02.26

DWG NO.	REV
FA-0810-H	A