

# Hanging Fume Arm

## FA-0614-H

**Tube Diameter:** 6"

**Arm Length:** 14'

**Hood Diameter:** 13"

**Ductwork Connection:** 6"

**Mounting Configuration:** Hanging

**Arm Construction:** Two galvanized steel tubes, three pieces of flex hose at joints, aluminum hood, heavy gauge steel swivel base, and support spring.

**Arm Adjustment:** Externally supported, adjustments are quickly done at the joints.

**Damper:** Internal with external adjustment.

**Finish:** Powder coated.

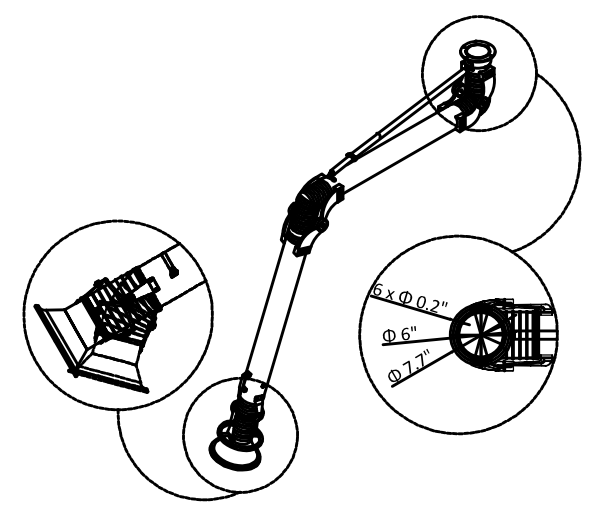
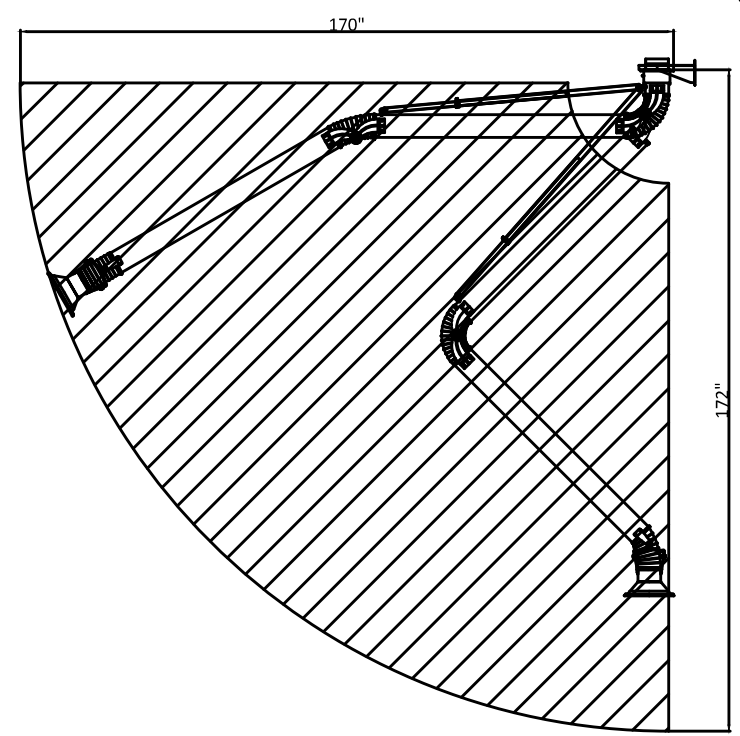
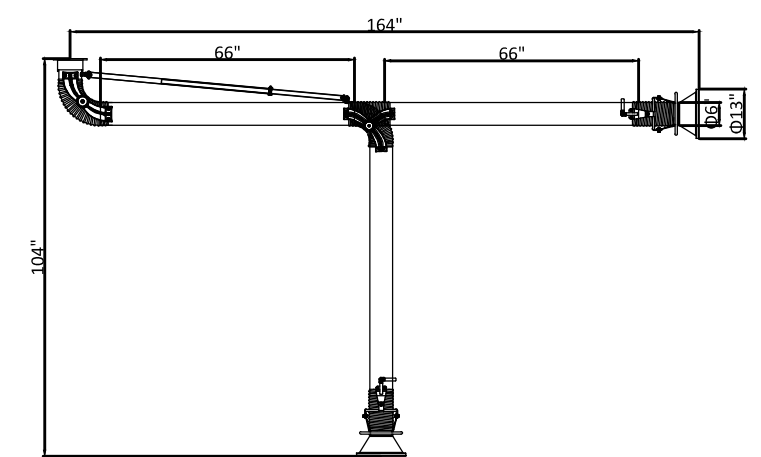
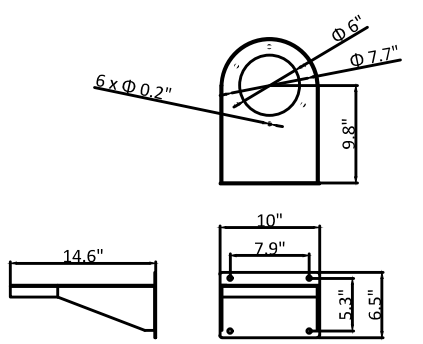
**Hose:** Rated to 195°F (intermittent 260°F)

**Paint Color:** Blue RAL5010, Black RAL9005

**Mounting bracket:** 6"

**Accessories:**

- light kit
- Spark protector



580 Technology Drive,  
Sparta, TN 38583  
Sales@IAP-AirProducts.com

SCALE	1:20	DRAWN	JW
		CHECKED	DM
PROJECTION		DATE	2020.02.26

DWG NO.	REV
FA-0614-H	A