

Hanging Fume Arm

FA-0507-H

Tube Diameter: 5"
Arm Length: 7'
Hood Diameter: 10"
Ductwork Connection: 5"
Mounting Configuration: Hanging

Arm Construction: Two galvanized steel tubes, three pieces of flex hose at joints, aluminum hood, heavy gauge steel swivel base, and support spring.

Arm Adjustment: Externally supported, adjustments are quickly done at the joints.

Damper: Internal with external adjustment.

Finish: Powder coated.

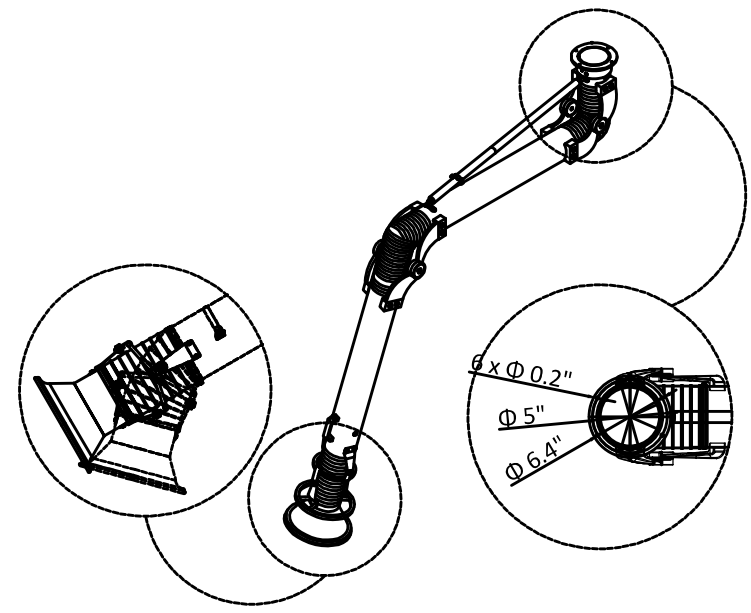
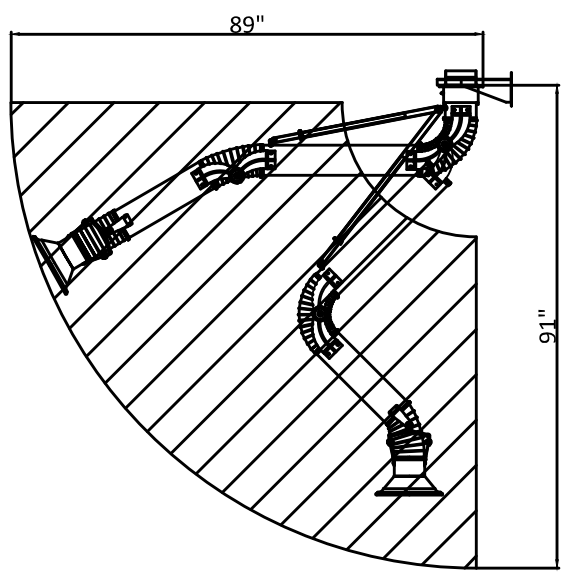
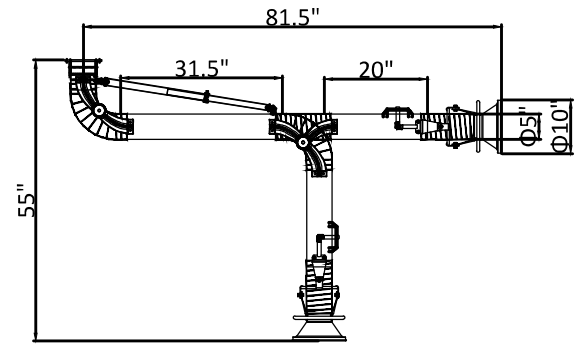
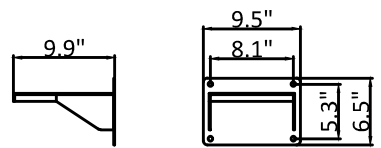
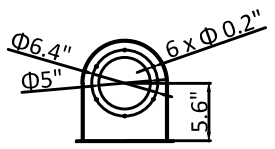
Hose: Rated to 195°F (intermittent 260°F)

Paint Color: Blue RAL5010, Black RAL9005

Mounting bracket: 5"

Accessories:

- light kit
- Spark protector



IAP
AIR PRODUCTS
www.IAP-AirProducts.com

580 Technology Drive,
 Sparta, TN 38583
Sales@IAP-AirProducts.com

SCALE	1:20	DRAWN	JW
		CHECKED	DM
PROJECTION		DATE	2020.02.26

DWG NO.	REV
FA-0507-H	A