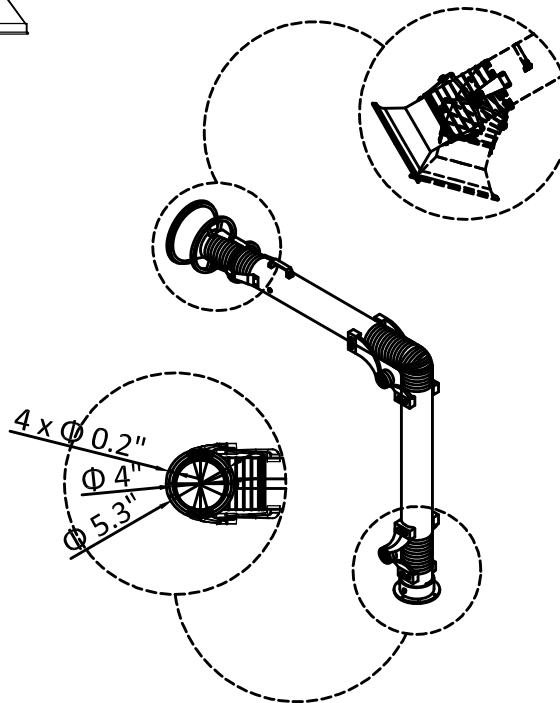
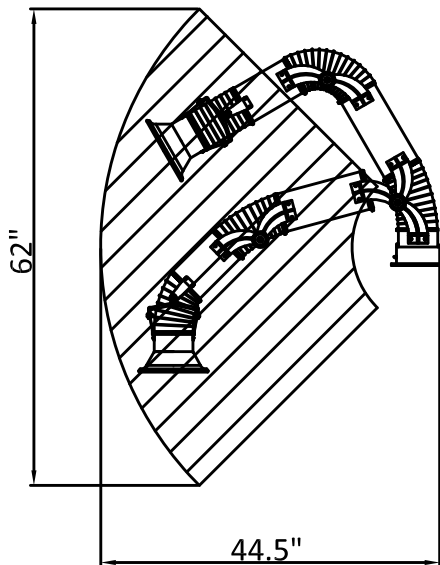
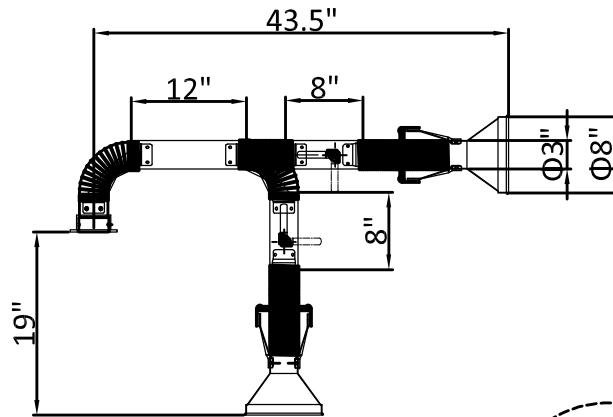


**Stainless Steel  
Standing Fume Arm  
FA-0303-S-SS**

**Tube Diameter:** 3"  
**Arm Length:** 3'  
**Hood Diameter:** 8"  
**Ductwork Connection:** 3"  
**Mounting Configuration:** Standing

**Arm Construction:** Two Grade 304 stainless steel tubes, three pieces of clear FDA hose at joints, stainless steel hood, anodized aluminum swivel base and stainless steel hardware, bolts and nuts.  
**Arm Adjustment:** Externally supported, adjustments are quickly done at the joints.  
**Damper:** Internal with external adjustment.  
**Hose:** Rated at 200°F (intermittent 260°F)  
**Accessories:**  
 - light kit  
 - Spark protector



SCALE	1:20	DRAWN	JW
		CHECKED	DM
PROJECTION		DATE	2021.02.09

DWG NO.	REV
FA-0303-S-SS	A