

ACUVISION

Micro World All in Sight



Changzhou Sifary Medcial Technology Co., Ltd

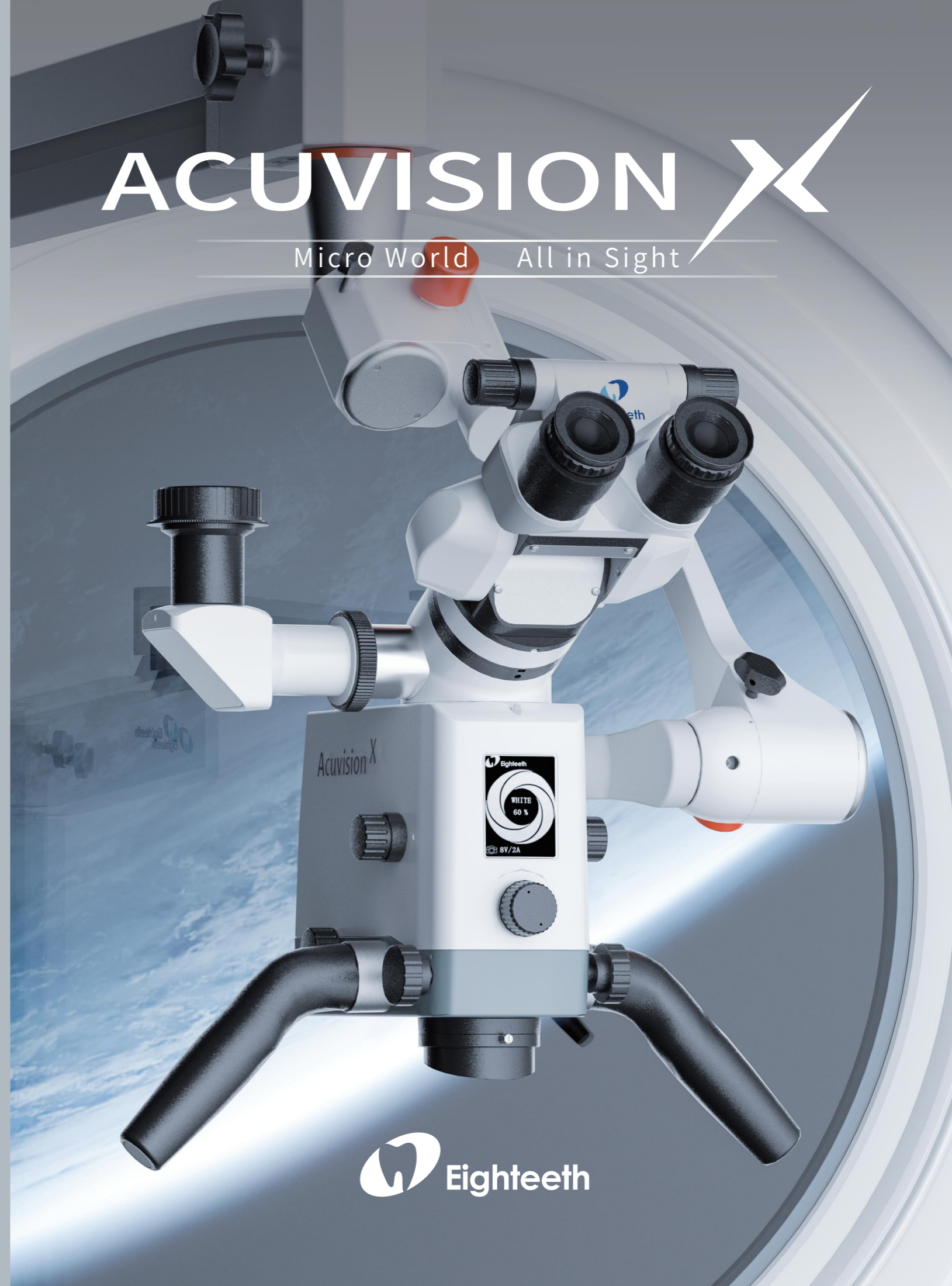
Add: No.26 Yandanghe Road, Xinbei District, Changzhou

City, Jiangsu Province, China

Email: ivy@sifary.com

Web: www.eighteeth.com

DISTRIBUTED BY



ACUVISION X DENTAL MICROSCOPES

Acuvision up to Infinity & Brilliance



Micro World, All in Sight

As Eighteenth, the professional dental equipment supplier, we know the challenges that dentists face when they target high levels of performance and results—functionally as well as aesthetically

Acuvision X™ by Eighteenth will provide dentists ultra-vision that can support new applications from normal mode to microscopy dentistry. Whatever more efficient caries detection or a simpler tooth restoration, Acuvision X™ can help revolutionize and differentiate your dental practice

Excellent Optics up to Brilliance

- 24mm Stereo Base
- APO Apochromatic Optical Design
- Manual 6-Step Apochromatic Magnification Changer
- Large Focal Length Adjustment Range

Multi-Mode Augmented Visualization LED Illumination

- Illuminance > 100,000 lux
- Color Temperature > 5500K
- Color Rendering Index > 90
- Light Source Lifespan > 60,000 hours
- Illumination Spot Size Is Steplessly Adjustable
- Electric Multi-Function Adjustment Knob

Smooth-Operating Stand System

- Float-Free™ Balance Arm
- Pendulum Function
- 0-210°Inclinable Binocular Tube
- Ultra-Long Arm Span
- German-Imported Gas Spring + Damping Adjustment Knob

Comprehensive Imaging System

- Integrated Full HD Video System with SD Memory
- Sony a5000/a6000 Series Camera Adaptors
- APS-C Nikon/Canon DSLR Adaptors
- Ergo Handgrip Integrated with Photo and Video Control Button

ACUVISION

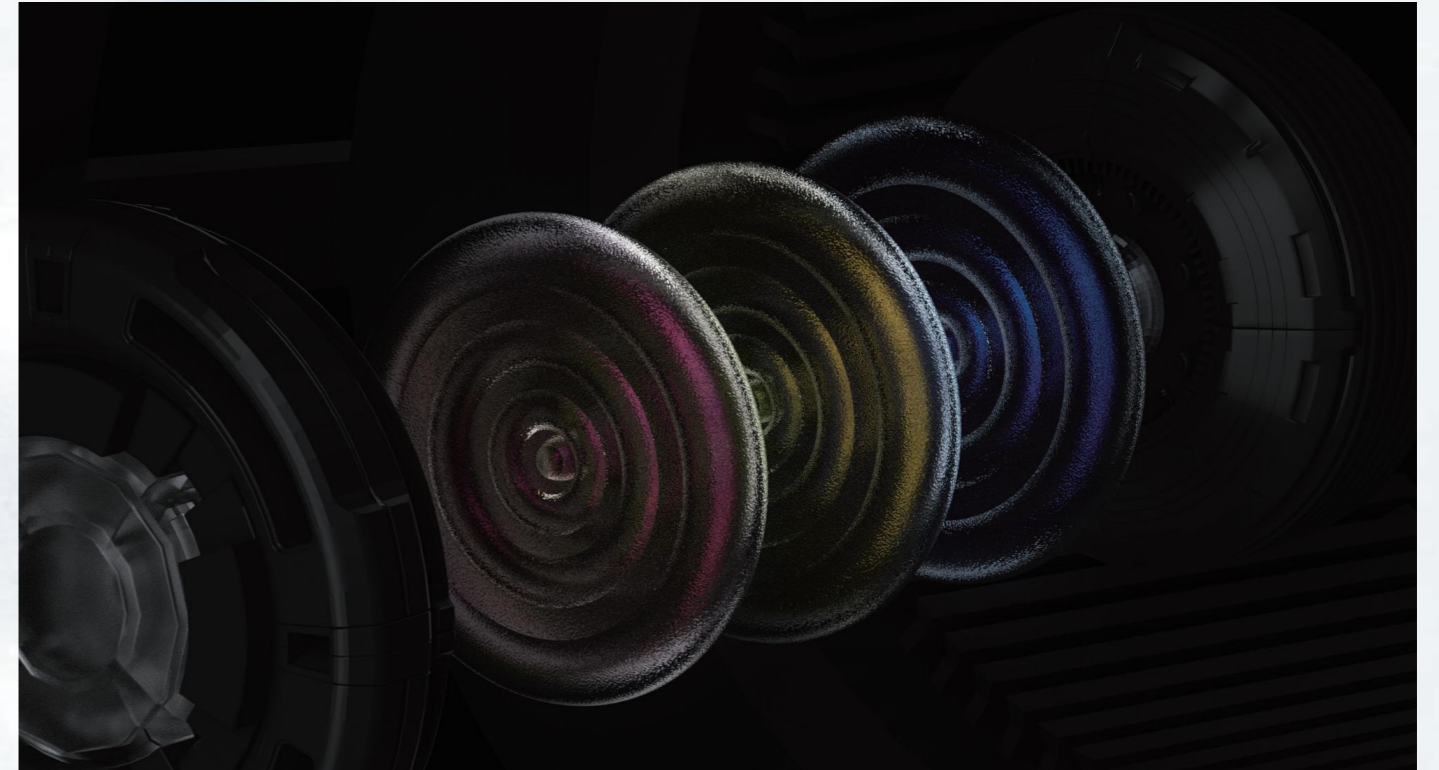
EXCELLENT OPTICS UP TO BRILLIANCE

Precision Redefined for Every Detail



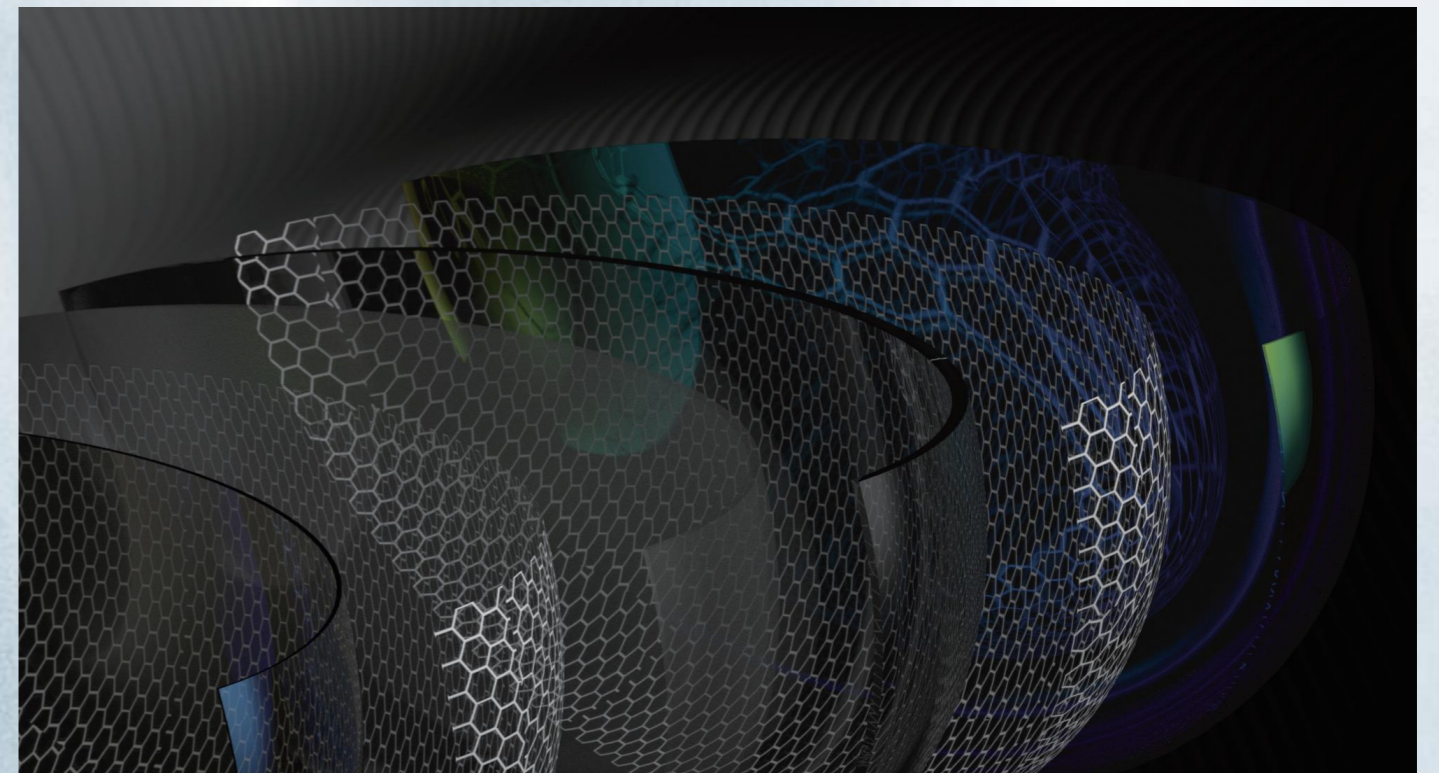
APO Apochromatic Optical Design

Correction of the refraction of red, yellow, and blue visible light at different wavelengths
Delivers high-fidelity color and accurately reveals intraoral details



High-Quality Transparent Optical Glass Lenses

Multi-layer coating technology ensures a clear field of view



PRECISION OPTICS, EXPANDED HORIZONS

Enhanced Magnification, Wider Vision, Better Clarity



24mm Stereo Base

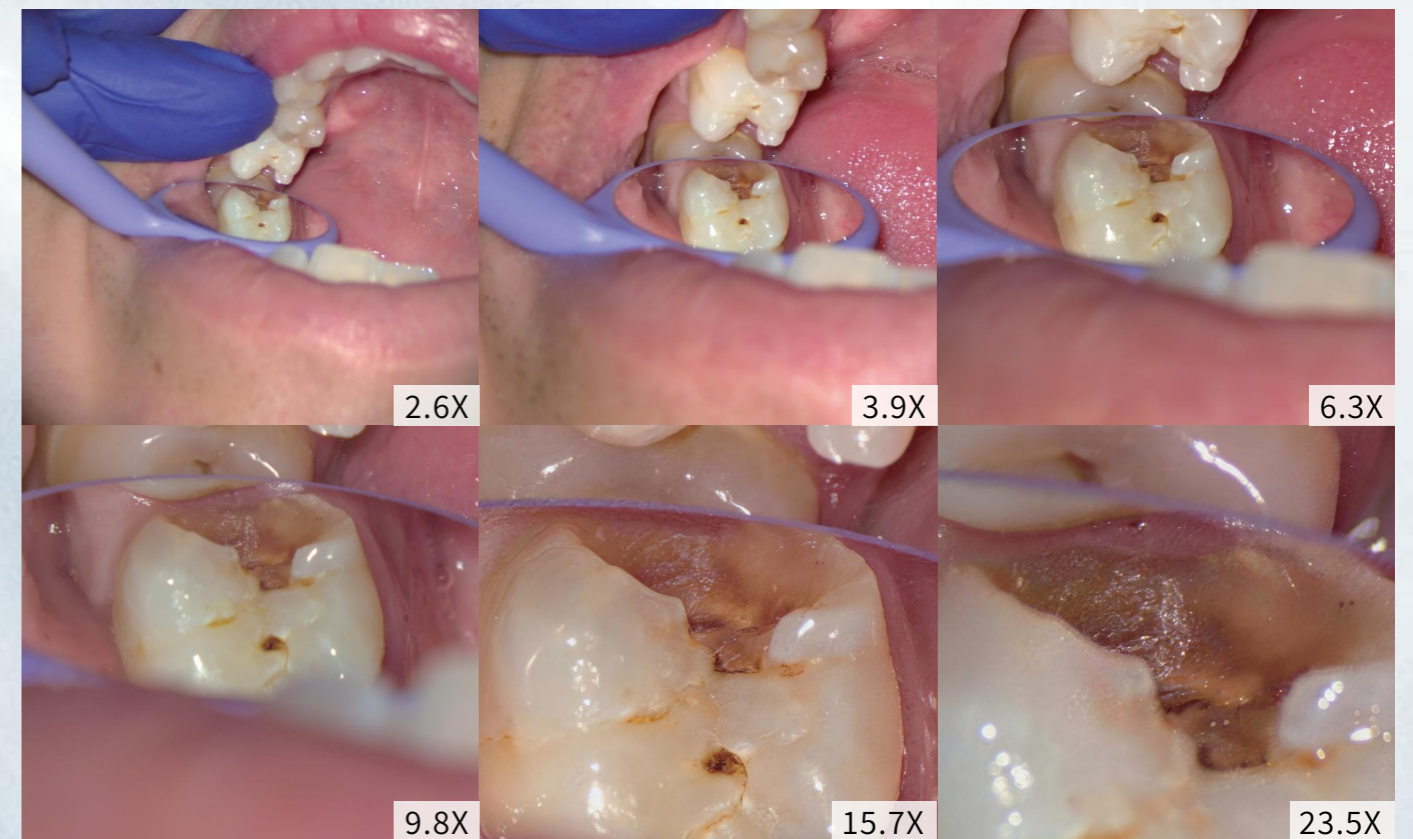
Perfectly fits the observation of human eyes, and obtains observation images with richer layers

Large Focal Length Adjustment Range Larger Field of View, See More Details

- Working distance range:190-460mm
- Field of view range: 9.6-167mm
- 12.5X eyepieces
- Various focus objective (varoF™)
- WD=190mm-460mm

Manual 6-Step Apochromatic Magnification Changer, Mag. Ratio 1:9

Magnification ratio: 2.6X, 3.9X, 6.3X, 9.8X, 15.7X, 23.5X (12.5X eyepiece, WD=190mm)
1.3X-23.5X (12.5X eyepiece, various focus objective (VaroF™) : WD=190mm-460mm)



ACUVISION

MULTI-MODE AUGMENTED VISUALIZATION LED ILLUMINATION

Advanced LED Lighting for Superior Precision

High-Quality Professional Medical LED Light Source

- Illuminance > 100,000 lux, color temperature >5500K, CRI>90, deliver bright, vivid colors for easy differentiation of anatomical details
- Long lifetime of approx. 60,000 hours for minimal cost of ownership

Illumination Spot Size Is Steplessly Adjustable

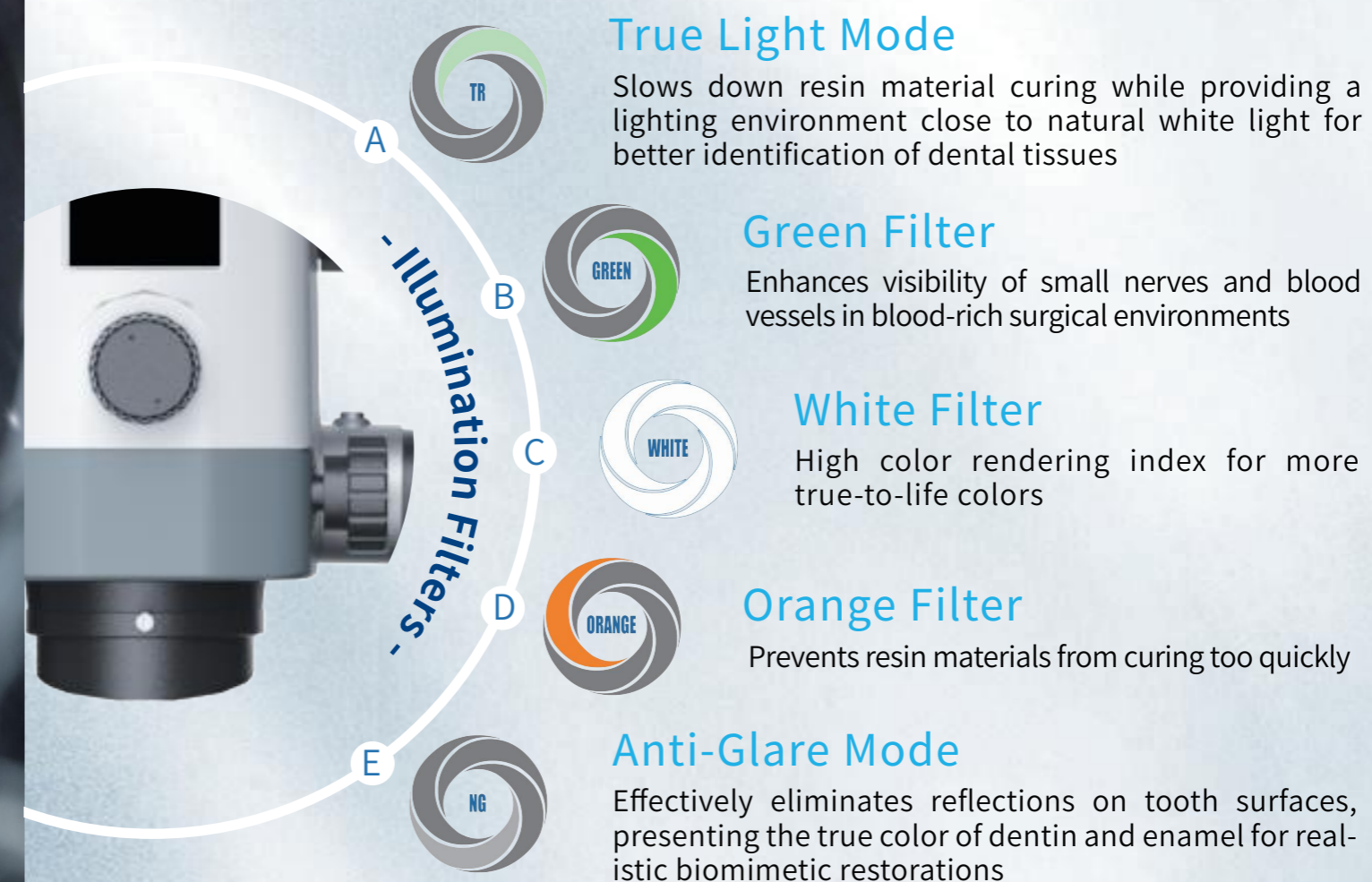
- The diameter of the spot is 9.7mm-230mm, which can be manually adjusted continuously
- Clear edge of spot, can fully illuminate field of view at all magnifications and working distances

Electric Multi-Function Adjustment Knob

The knob integrates continuous brightness adjustment, filter position switching, camera power supply output voltage control. All in one, convenient and easy to use

Built-in LED Light with Motion-Sensing Position Switch

- Light turns off automatically when moved to top position, turns on when pulled down
- Energy-saving & long-lasting



Smooth-Operating Stand System

Float-Free™ Balance Arm

Float-Free™ scroll spring type damping strength adjustment, ultra-light, smooth and balanced, one-handed operation, stop at any position within its accessible location; left and right $\pm 60^\circ$ tilt, pitch $-30^\circ \sim +60^\circ$, vertical 330° rotatable

Pendulum Function

30° optical extender integrated with 20% : 80% beam splitter and rotate ring, allows the user remain in an upright viewing position when the direction of the optic pod is changed within $\pm 25^\circ$



Ultra-Long Arm Span

Total arm span $\geq 1600\text{mm}$
More freedom of installation



0-210° Binocular Eyepiece Tube

Enhance comfort and flexibility in clinical work. Effectively reduce and prevent muscle strain in the lower back, shoulders, and neck. Keep clinicians free from the troubles of cervical and lumbar spine disorders



LCD Screen

Integrated central LCD display can show the filter position, brightness and output power voltage for camera

Dual Imaging Optional Configurations for Diverse Clinical Needs

All-Around Choice — Built-in 1080p Full HD Imaging

Stable HD imaging for case documentation, dentist-patient communication, teaching demonstrations, and remote consultations. A practical, cost-effective choice.

Ultimate Choice — Built-in 4K Ultra-HD Imaging

Ultra-high 4K resolution reveals tissue textures and fine anatomical structures for complex microsurgery, research, and premium case documentation.

*A standard HDMI interface enables high-capacity USB storage for image and video recording, image editing, and parameter adjustment.

DSLR or Sony Camera Adaptors (Optional)

- Sony $\alpha 5000/\alpha 6000$ series camera adaptors
- APS-C Nikon/Canon DSLR adaptors



APS-C format,
Nikon/Canon DSLR camera interface



Sony A5000/6000

*The cameras depicted in this image are solely for the purpose of demonstrating the external compatibility of the product. Neither US nor this product has any cooperative relationship with the camera manufacturers.

Display Mount

Preseted mount for display arm. The display arm can be installed on column as well on the swivel arm. Two sockets for HDMI output supported at the same time

Ergonomic Design Multi-Functional Handle

Comfortable grip, short press to take photo, long press to record video

Wireless Pedal (Optional)

Wireless connected microscope, integrated photo and video control function, allowing for more convenient and stable photo/video capture through foot pedals



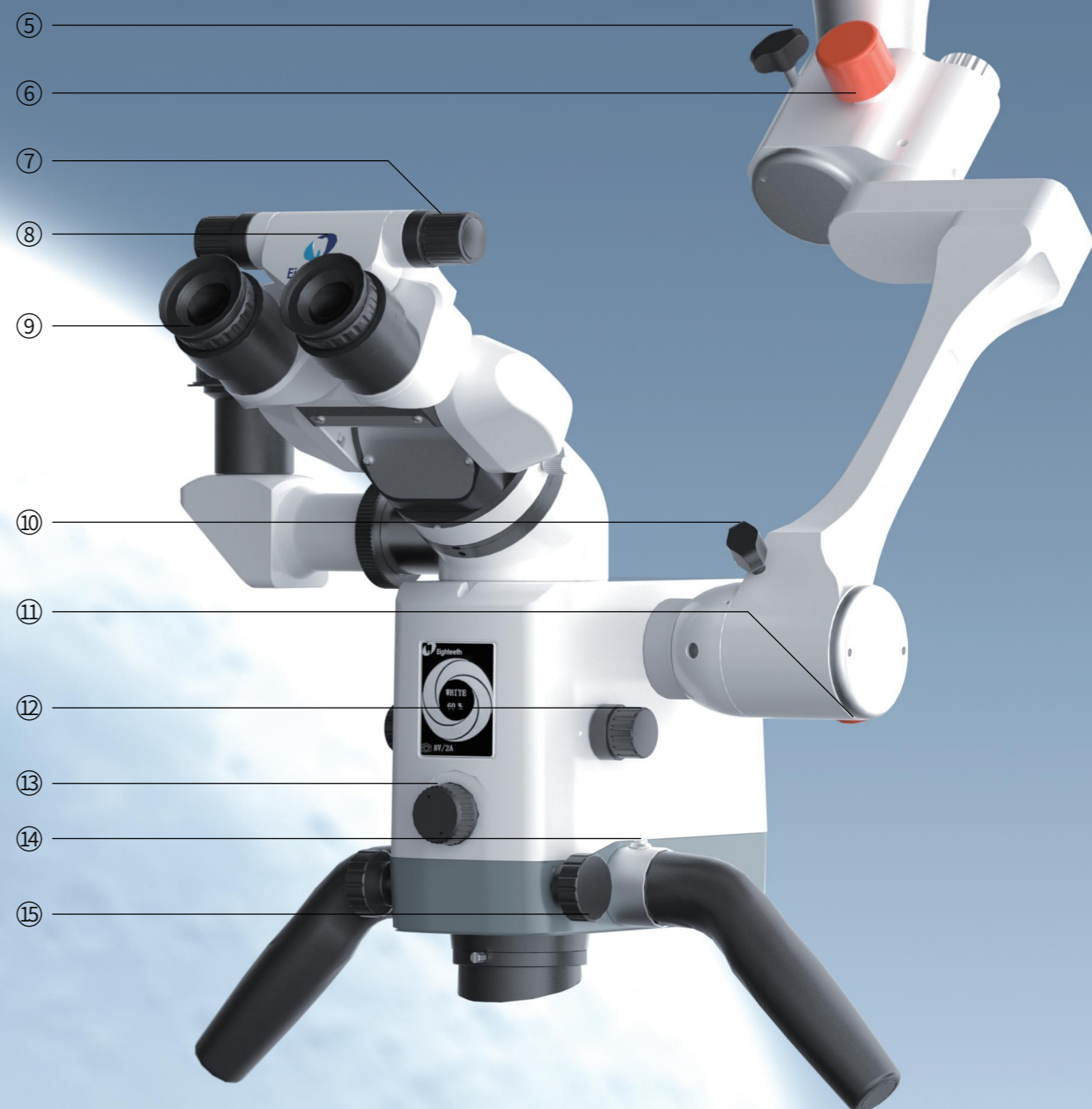
STATE OF ART OUTLINE



- ① Damping adjustment knob for vertical movement of the suspension arm
- ② Damping adjustment knob for rotation of C arm and microscope body
- ③ Damping adjustment knob for rotation of the suspension arm
- ④ Illumination spot size adjustment knob

○ White ● Black

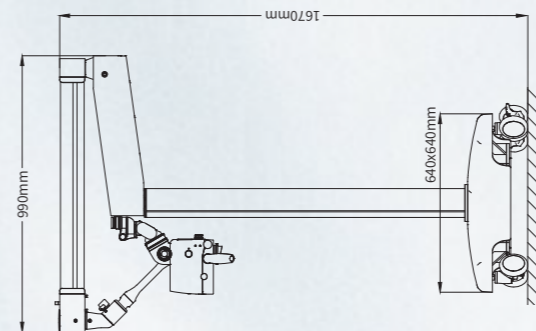
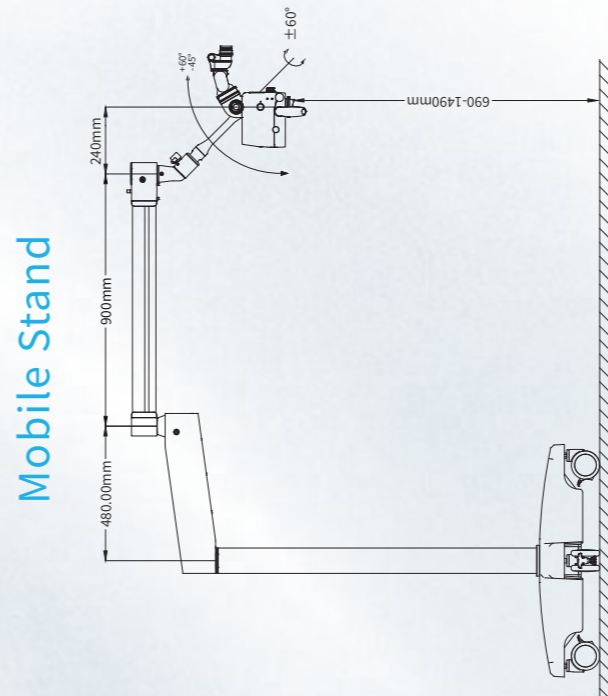
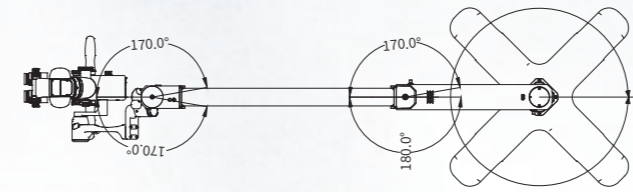
* The color of the rotating ring on the black appearance microscope may vary due to batch variations



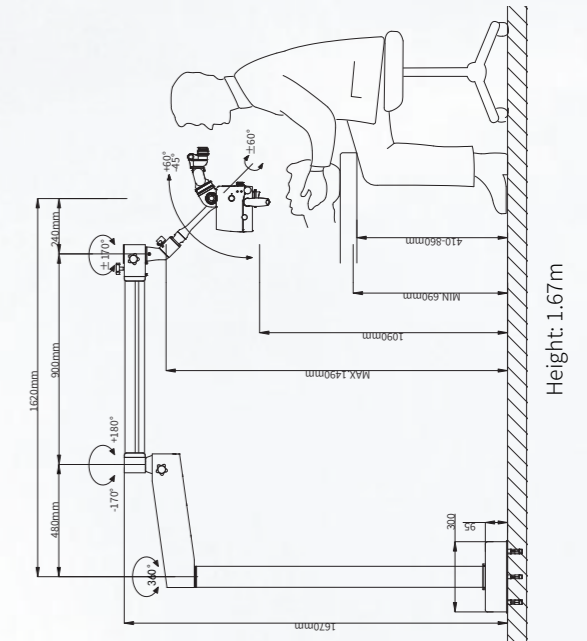
- ⑤ Damping adjustment knob for left & right tilting of C arm
- ⑥ Left and right tilt balance adjustment knob
- ⑦ Interpupillary distance adjustment knob
- ⑧ 0-210° binocular tube
- ⑨ High eyepoint wide-field eyepiece
- ⑩ Damping adjustment knob for front & back tilting
- ⑪ Front and back balance adjusting knob
- ⑫ 6-level magnification changing knob
- ⑬ Multi-function button: switch lighting modes, rotate to control brightness, press to adjust external camera power supply voltage
- ⑭ Photo/Video button
- ⑮ Various focusing adjustment knob

Product Configuration List

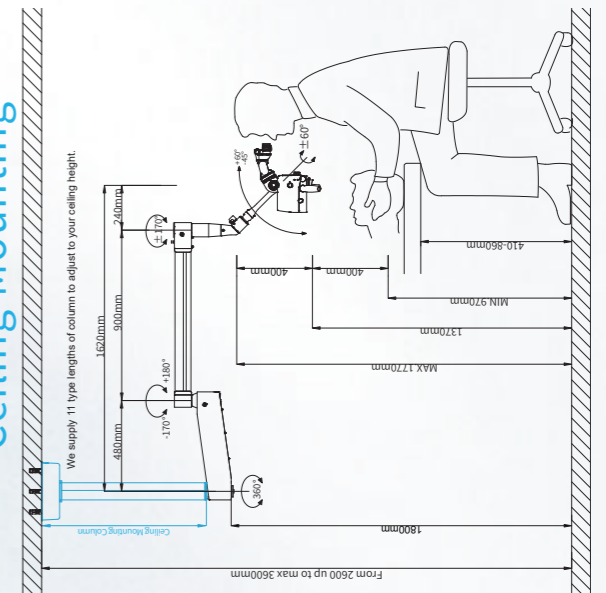
Microscope System		
Magnification System	Apochromatic 6-step manual magnification changer, mag. ratio 1:9, stereo base 24mm	Standard
Eyepieces	12.5X/18 wide field eyepieces, $\pm 7D$ diopter adjustment with screw in-out eyecup	Standard
Binocular Tube	0-210° binocular tube, $f=182mm$, with PD adjustment knob. PD adjustment range: 51-76mm	Standard
Objective	Manual apochromatic objective with various focus WD from 190mm to 460mm, side focus adjustment knob with single finger control, 1 lens protective cover included	Standard
Depth of Field Enhancer	Effectively Enhances Depth of Field	Optional
Illumination System		
Lighting Source	Built-in long-lasting LED light source with continuously adjustable brightness. At least 100,000 lux @WD=190mm. LED life time $\geq 60,000h$, CRI of ≥ 90 , color temperature 5700K@objective plane	Standard
Illumination Spot Adjustment	Illumination spot size continuously & manually adjustable from 9.7mm to 100mm @WD=190mm	Standard
Filters Adjustment	Filters: orange/ green/ white/ true light/ no glare (polarized light); electric switching adjustment, filter information displayed on the central LCD screen	Standard
Stand System		
Base	Floor mount, base size 640 x 640mm, with detachable counterweights for easy installation. Equipped with four 360° lockable swivel casters to prevent cable tangling	Standard
Swivel & Suspension Arm	360° rotatable swivel arm & 350° rotatable suspension arm, with $\pm 400mm$ height adjustment. Build-in position switch for LED light source and central LCD. Fall prevention and rotation adjustment knobs included. Total arm reach $\geq 1600mm$	Standard
Balanced Arm	Vertical 340° rotation, torsion spring worm gear damping adjustment, smooth balance with lock at any position; $\pm 60^\circ$ left-right tilt, -30° to $+60^\circ$ pitch	Standard
Robust Column	Square aluminum alloy column with dual handles	Standard
Stand Options	Mobile Stand; Wall Mounting; Ceiling Mounting; Floor Mounting	Optional
Video System		
Integrated Video System	Built-in integrated 1080P full HD camera module with HDMI interface, image horizontal and vertical flip, and support for 64GB USB 3.0 storage	Standard
Optical Extender Integrated Monolateral Beam Splitter	30° optical extender integrated with beam splitter monolateral 80/20	Standard
Rotating Ring	No obstruction in the maximum vision field of view when rotating within $\pm 25^\circ$	Standard
DSLR Adaptor	APS-C Nikon/Canon DSLR adaptors	Optional
Mirrorless Camera Adaptor	Sony $\alpha 5000/\alpha 6000$ series camera adaptors	Optional
Smartphone Adaptor	360° adjustable, compatible with mainstream smartphones	Optional
Inner Camera Remote Control Kit (Wireless Pedal)	Wireless connected microscope, integrated photo and video control function	Optional
Control System		
Control Knob	Central control knob for continuous brightness adjustment and electric switching between 5 filter positions. The central LCD shows filter position, brightness, output voltage, and other information	Standard
Handles	Bilateral decurved strong handles, 360° rotatable, integrated with button for pictures and videos	Standard
External Power Supply	Adjustable voltage DC output Type-C port for powering external cameras or smartphones; two voltage settings adjustable via the central control button	Standard
Display Accessories		
Display Mount Systems	360° rotatable swivel and suspension display arm, mounted on the first horizontal arm via a support adaptor	Optional
Display Mount and Column Connector	360° rotatable swivel and suspension display arm, mounted on the column via a support adaptor	Optional



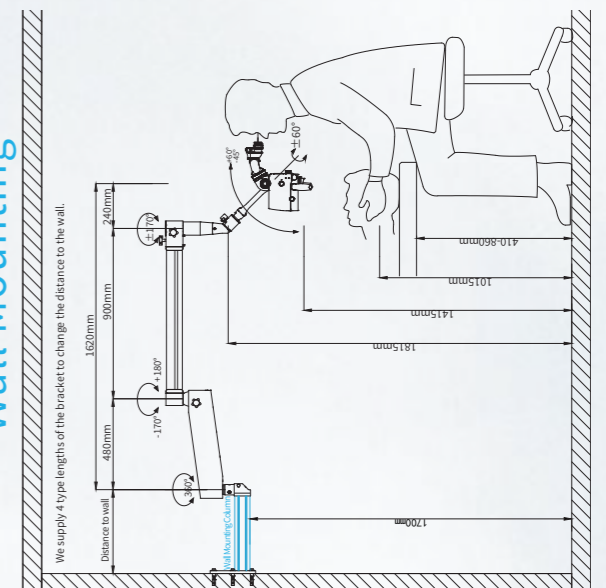
Floor Mounting



Ceiling Mounting



Wall Mounting



Mobile Stand

Height: 1.67m

Ceiling Mounting Pole Length
Standard Length: 0.6m, 0.8m, 1.0m, 1.2m, 1.4m, 1.6m
Custom Length: 0.7m, 0.9m, 1.1m, 1.3m, 1.5m

Wall Mounting Pole Length
Standard Length: 0.2m, 0.4m, 0.6m, 0.8m