

BRILLIANCE

Infinity & Softouch



Eighteenth Brilliance series Surgical Loupes combine Schott Glass and Achromatic Optical Path Design to assure high image quality. The Flip-Up function can bring unobstructed vision and eye contact with your patients with a single adjustment. The whole structure made of ultra-light alloy creates a cool metallic look, ensuring excellent structural strength and durability, while minimizing the weight and the pressure on the nose when wearing.

Intelligent damping torque effect
Easy to adjust and with excellent stability

Super light frame
Ergonomic design with optional materials and colors

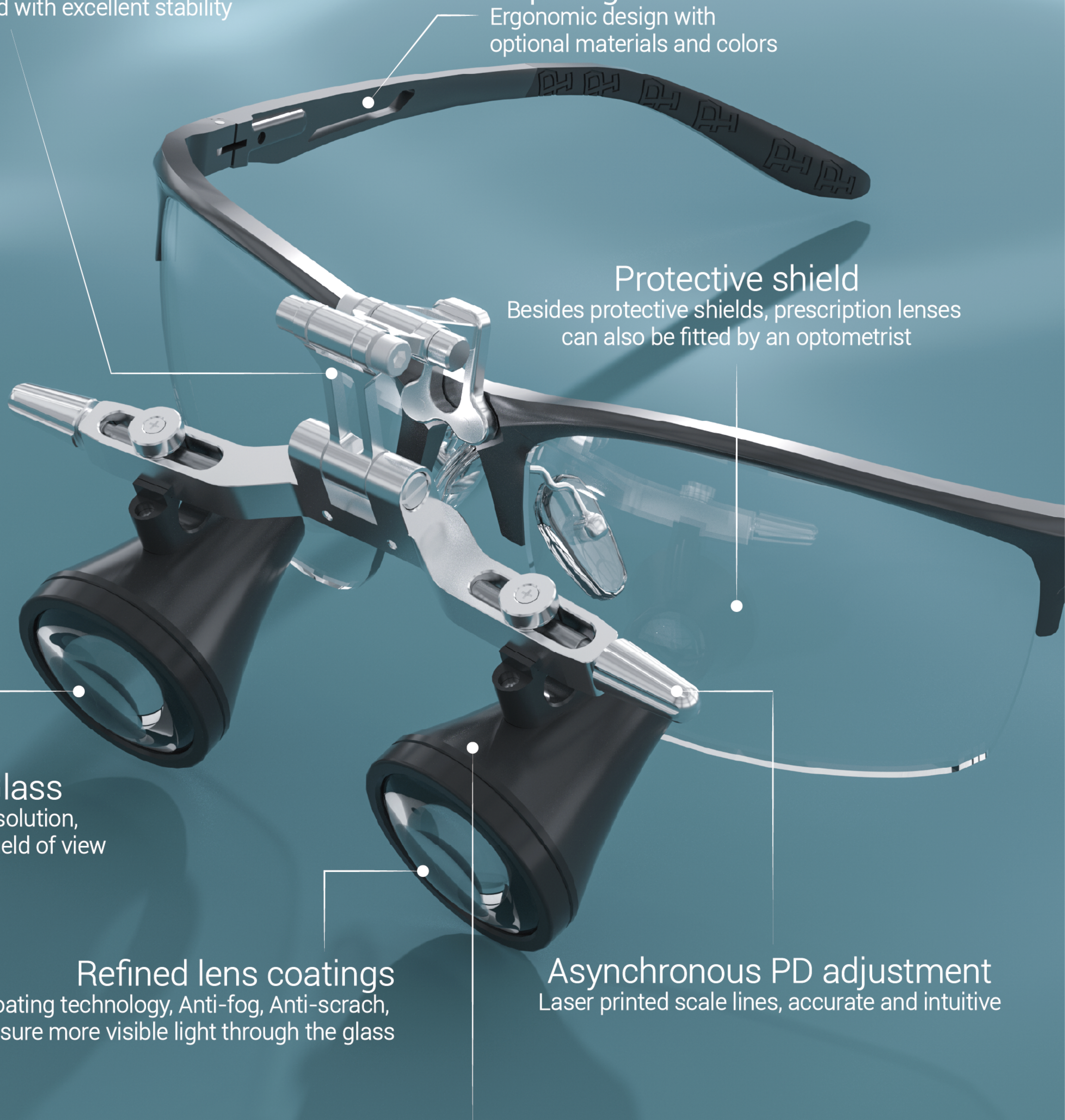
Protective shield
Besides protective shields, prescription lenses can also be fitted by an optometrist

Schott Glass
Ensure high resolution, clear and sharp field of view

Refined lens coatings
Multi-layer coating technology, Anti-fog, Anti-scratch, Anti-glare, to ensure more visible light through the glass

Asynchronous PD adjustment
Laser printed scale lines, accurate and intuitive

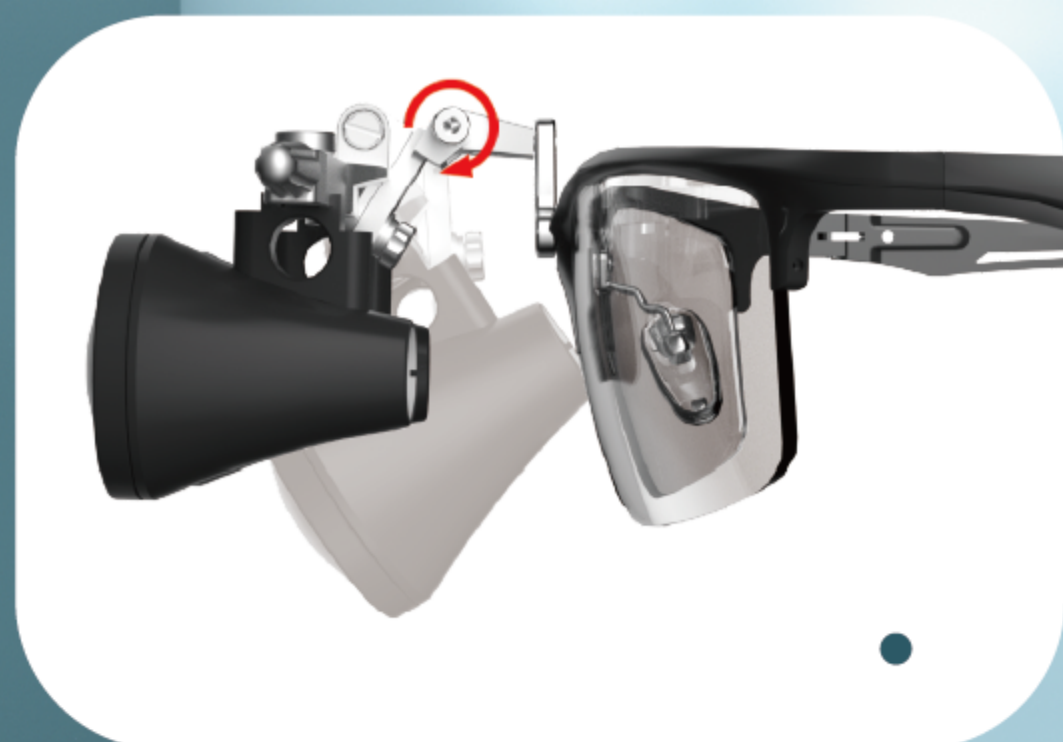
Aerospace-grade aluminium magnesium alloy
Our loupes are exceptionally high strength and light



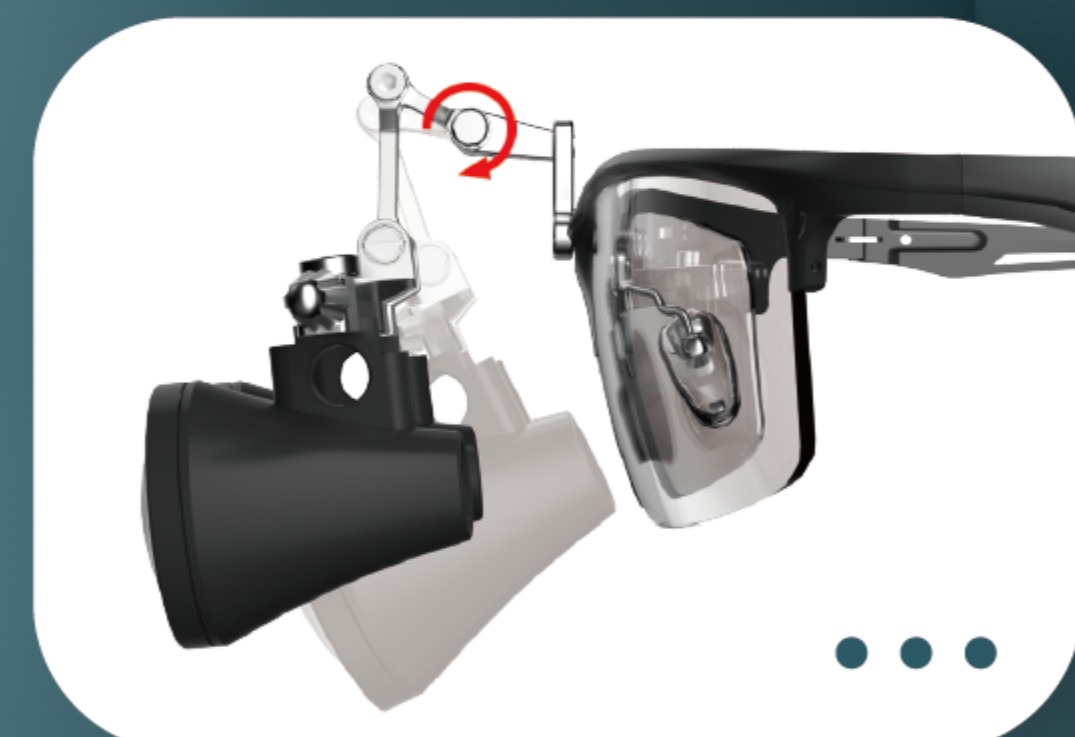
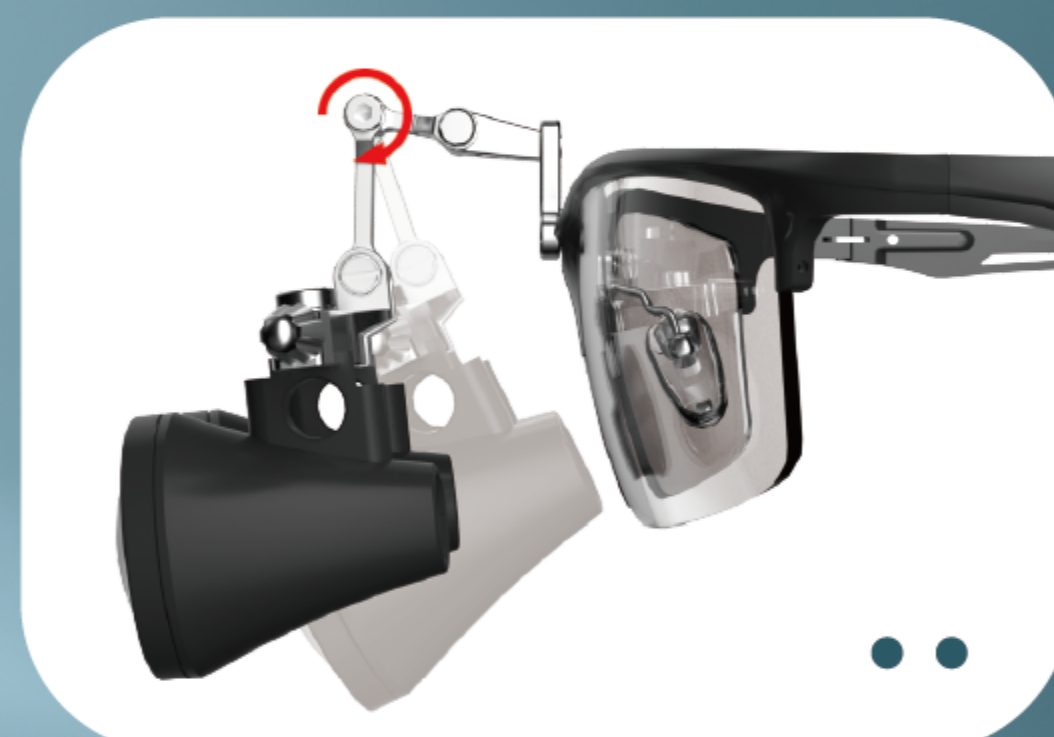
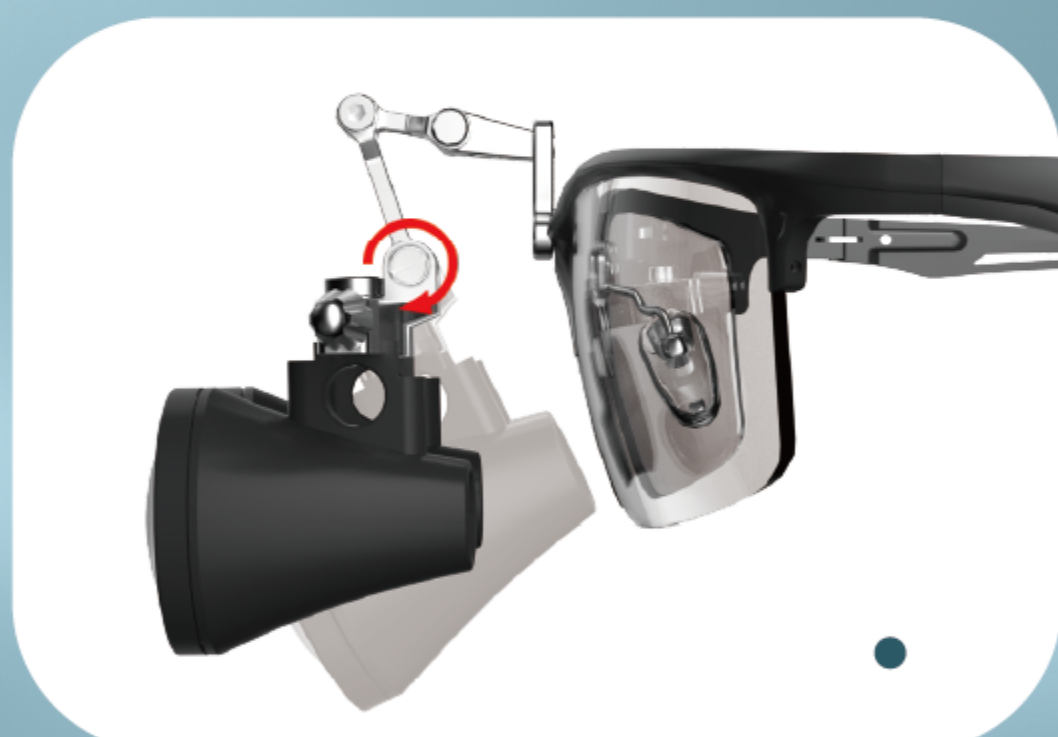
Two Options!



Two hinges type



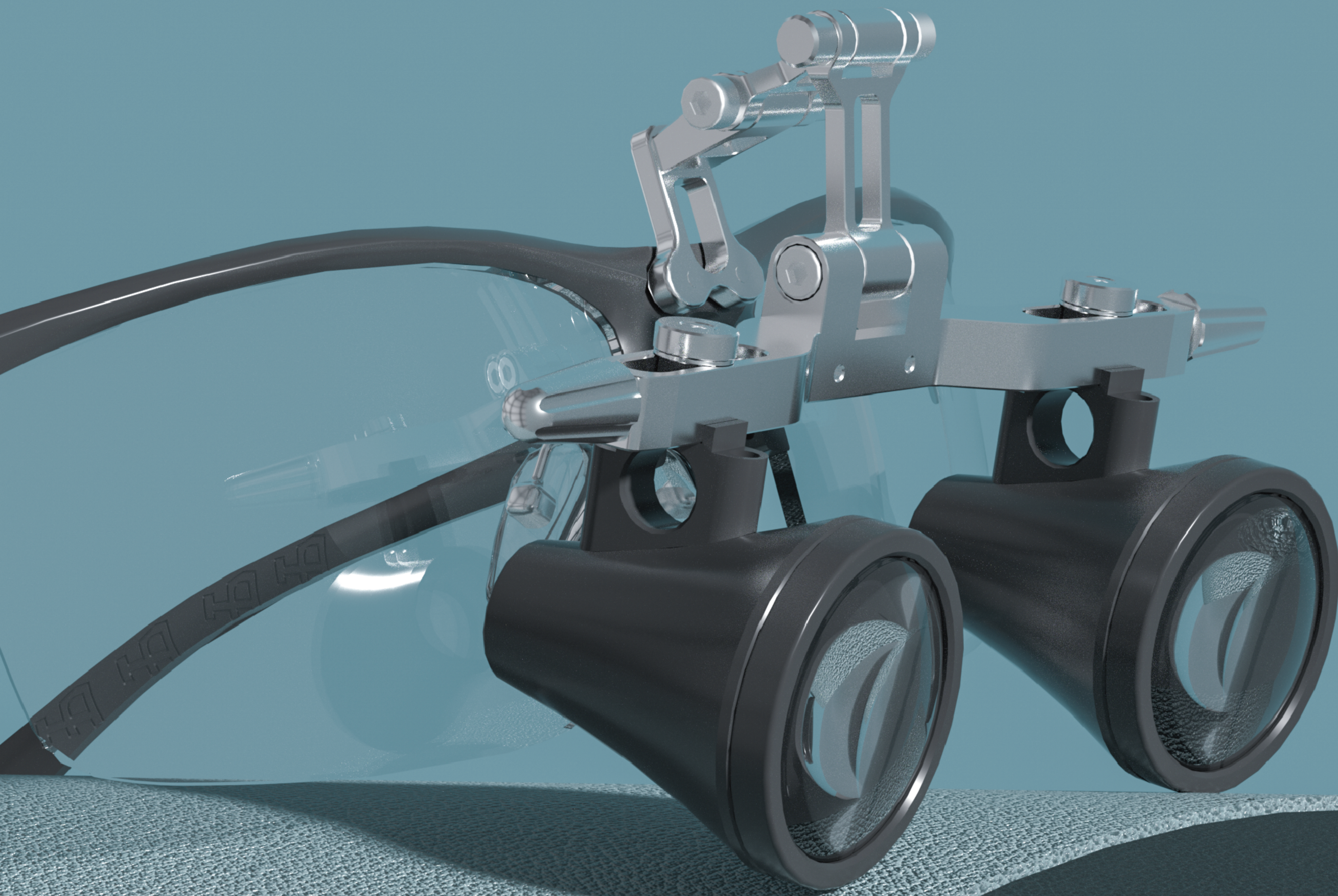
Three hinges type



Both can be quickly and accurately reset after flipped-up without extra adjustment. Get into the next use immediately, and greatly improve the work efficiency.

Your ideal first pair of Loupes!

The 3x magnification loupes offer extreme versatility and are perfectly suited for general dentistry and those early on in their careers.



Frame Material: AlMg, TR90

Frame Color: ● ●

Magnification	Working Distance	Field of View	Depth of Field (Based on 2' resolution)
3.0x	350mm	68mm	21mm
	400mm	76mm	27mm
	450mm	84mm	33mm
	500mm	92mm	40mm
3.5x	450mm	78mm	28mm