



**Product**

Protective cover for pedestrians against the accidental fall from above of small objects, debris, tools, liquids while working at height. CE certified.

**Assembly**

No tools required to place each single module. First thing, open the four telescopic supports, and then adjust the height to suit your needs. A hole on the folding element shows the standard height equal to 2 meters of usable passage.

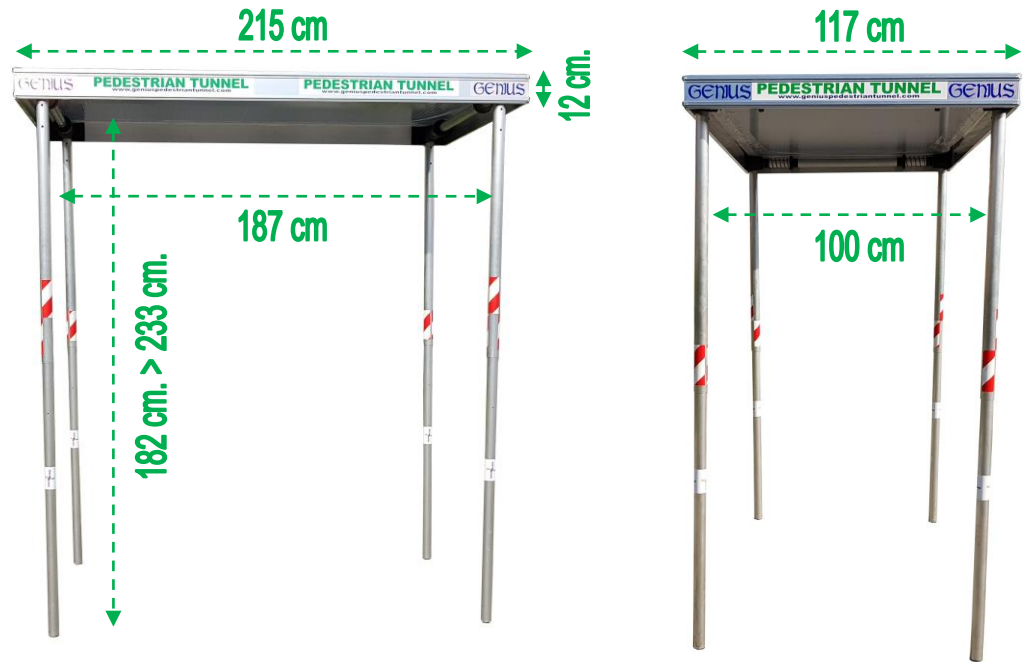
**Interlocking with other modules**

All modules can be joined and interlocked to one another. On the four sides of the cover there are some special fins designed to allow the modules joining.

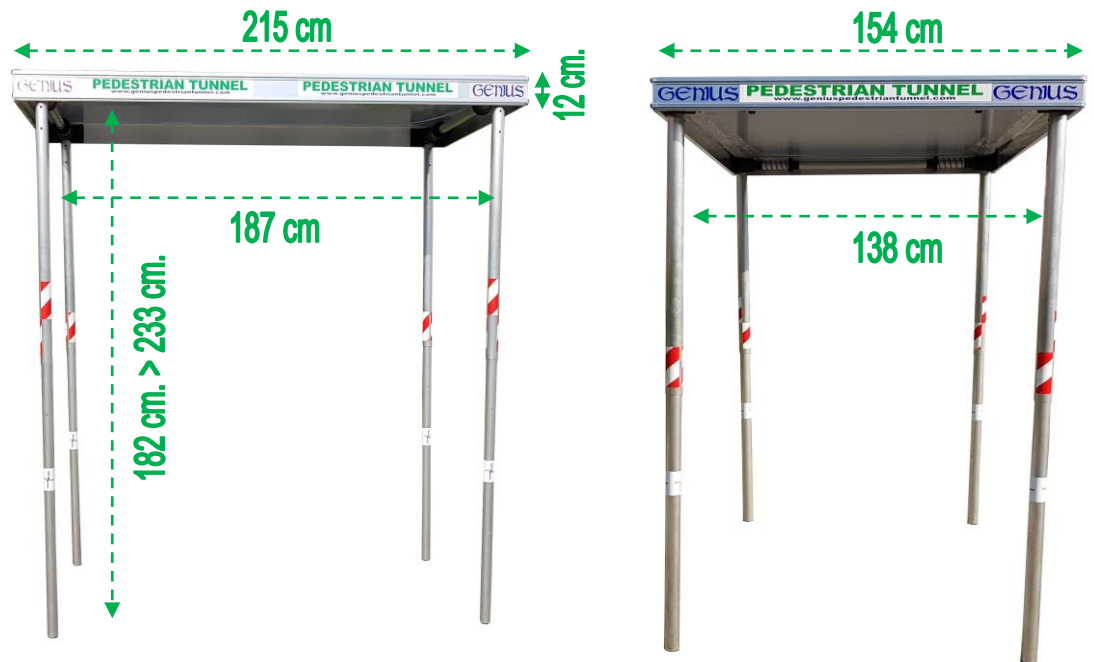
**Use**

For the proper use, follow the product use and maintenance manual.

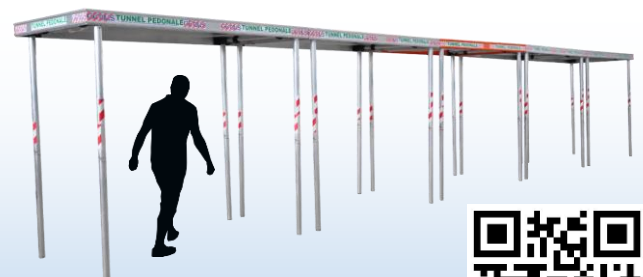
**STANDARD VERSION**



**LARGE VERSION**



	STANDARD VERSION	LARGE VERSION
WEIGHT	31 Kg	37 Kg
COVER CAPACITY ( not walkable )	150 Kg/mq	130 Kg/mq
SHOCK RESISTANCE	5 Kg ( test performed with a 5 Kg weight fallen from 25 meters )	3,5 Kg ( test performed with a 3,5 weight fallen from 25 meters )
MATERIAL	Aluminium / polycarbonate	Aluminium / polycarbonate



# PEDESTRIAN TUNNEL GENIUS ASSEMBLY INSTRUCTIONS

