



**G.T. COMIS**

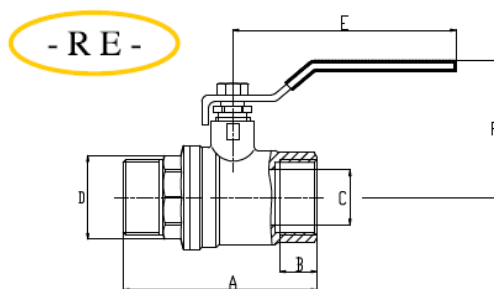
RACCORDERIE EMILIANE

Via Nino Bixio, 12 - 44042 CENTO (FE) • tel. 051 904583 r.a. - fax 051 904243  
e-mail gtcomis@gtcomis.it

## SCHEMA TECNICA – Technical Sheet

### ART. 306: Valvola a sfera M.F. con maniglia piatta

M.F. ball valve, with handle, body nickel plated brass



**Materiale/**Material: Maniglia piatta a leva in acciaio verniciato, corpo in ottone nichelato, guarnizioni in P.T.F.E./Flat lever handle in steel, nickel-plated brass body, P.T.F.E. gasket

**Filettatura/**Thread: UNI ISO 228-1

**Normativa/**Norm: DM 174 06/04/2004

Codice - Code	Ø	A mm	B mm	C mm	D mm	E mm	F mm	Pressione kg/cm <sup>2</sup>	Conf. - Pack	
1100268	1/2"	59,0	11,5	14,0	21,5	79,0	41,0	30 bar	16	160
1100269	3/4"	67,5	13,0	19,0	27,5	79,0	44,5	30 bar	12	96
1100270	1"	73,5	14,0	22,5	35,0	104,0	57,0	30 bar	10	80
1100271	1"1/4	89,5	14,5	30,0	43,0	104,0	63,0	20 bar	8	32
1100272	1"1/2	99,0	15,5	35,0	50,0	166,0	80,0	20 bar	6	24
1100273	2"	116,5	16,5	45,0	64,0	166,0	86,0	20 bar	2	16

Temperatura d'esercizio min/max: -20°C +150°C  
Min / max operating temperature: -20 ° C + 150 ° C

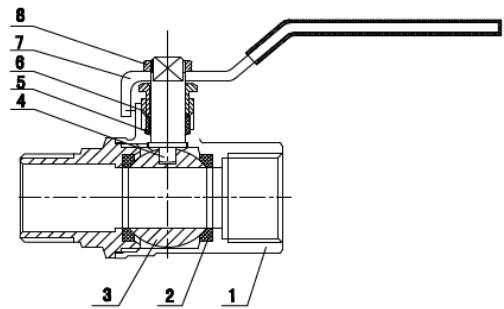
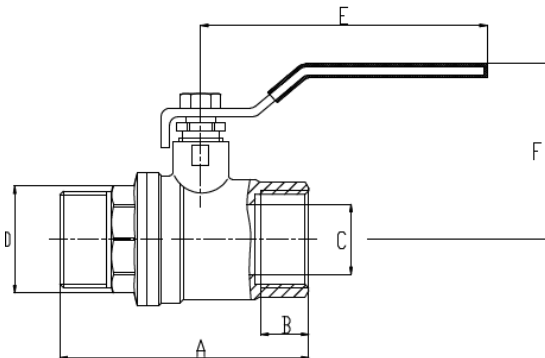


**G.T. COMIS**

RACCORDERIE EMILIANE

Via Nino Bixio, 12 - 44042 CENTO (FE) • tel. 051 904583 r.a. - fax 051 904243  
e-mail gtcomis@gtcomis.it

## SCHEDA TECNICA – Technical Sheet



	N° POS	DESCRIZIONE DESCRIPTION	Q.tà Q.ty	MATERIALE MATERIAL	
CORPO	1	BODY	1	CW617N	OTTONE
SEDE	2	SEAT	2	P.T.F.E.	P.T.F.E.
SFERA	3	BALL	1	HPb58-3A	OTTONE
ASTA DI MANOVRA	4	STEM	1	HPb58-3A	OTTONE
ANELLO DI TENUTA	5	SEALING RING	1	P.T.F.E.	P.T.F.E.
DADO	6	FIXING NUT	1	HPb58-3C	OTTONE
MANIGLIA	7	LEVEL HANDLE	1	FE	ACCIAIO
VITE	8	HEX NUT	1	Q235 NICKEL.PLATE	ACCIAIO-ZINCATO