



G.T. COMIS

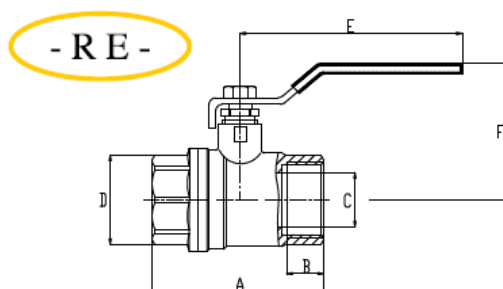
RACCORDERIE EMILIANE

Via Nino Bixio, 12 - 44042 CENTO (FE) • tel. 051 904583 r.a. - fax 051 904243
e-mail gtcomis@gtcomis.it

SCHEMA TECNICA – Technical Sheet

ART. 304: Valvola a sfera F.F. con maniglia piatta

F.F. ball valve, with handle, body
nickel brass



Materiale/Material: Maniglia piatta in acciaio, corpo in ottone nichelato, guarnizioni in P.T.F.E./Flat lever in steel, nickel-plated brass body, P.T.F.E. gasket

Filettatura/Thread: UNI ISO 228-1

Normativa/Norm: DM 174 06/04/2004

Codice - Code	Ø	A mm	B mm	C mm	D mm	E mm	F mm	Pressione kg/cm ²	Conf. - Pack 🔑	📦
1100068	1/2"	51,0	11,5	14,0	24,7	79,0	41,0	30 bar	16	160
1100069	3/4"	60,0	13,0	19,0	29,5	79,0	44,5	30 bar	12	120
1100070	1"	65,0	14,0	22,5	36,0	104,0	57,0	30 bar	10	80
1100071	1 1/4"	78,0	14,5	30,0	46,0	104,0	63,0	20 bar	8	32
1100072	1 1/2"	83,0	15,5	35,0	52,5	166,0	80,0	20 bar	6	24
1100073	2"	98,0	16,5	45,0	65,0	166,0	86,0	20 bar	2	16
1100074	2 1/2"	123,5	19,0	59,0	82,5	200,0	105,0	16 bar	2	6
1100075	3"	154,0	22,0	73,0	100,0	236,0	130,0	16 bar	2	4
1100077	4"	177,0	24,0	95,0	126,0	236,0	144,0	16 bar	2	2

Temperatura d'esercizio min/max: -20°C +150°C
Min / max operating temperature: -20 ° C + 150 ° C

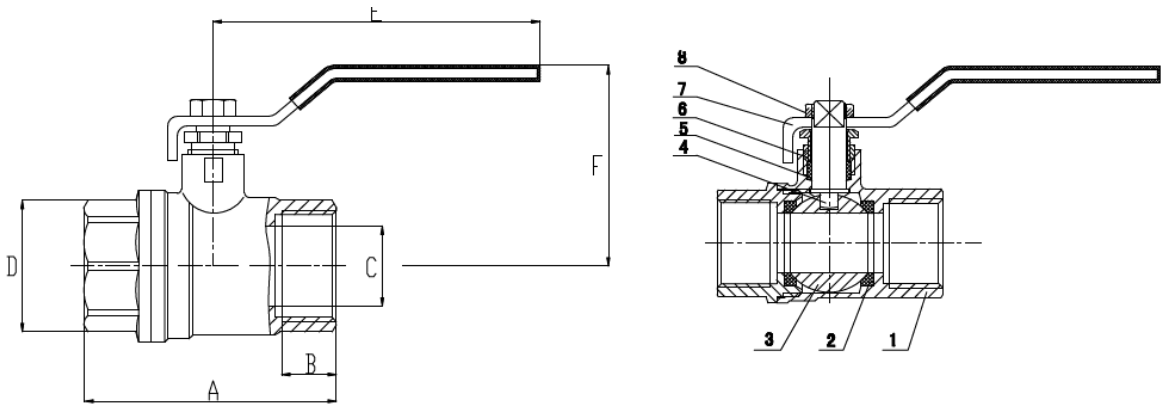


G.T. COMIS

RACCORDERIE EMILIANE

Via Nino Bixio, 12 - 44042 CENTO (FE) • tel. 051 904583 r.a. - fax 051 904243
e-mail gtcomis@gtcomis.it

SCHEDA TECNICA – Technical Sheet



	N° POS	DESCRIZIONE DESCRIPTION	Q.tà Q.ty	MATERIALE MATERIAL	
CORPO	1	BODY	1	CW617N	OTTONE
SEDE	2	SEAT	2	P.T.F.E.	P.T.F.E.
SFERA	3	BALL	1	HPb58-3A	OTTONE
ASTA DI MANOVRA	4	STEM	1	HPb58-3A	OTTONE
ANELLO DI TENUTA	5	SEALING RING	1	P.T.F.E.	P.T.F.E.
DADO	6	FIXING NUT	1	HPb58-3C	OTTONE
MANIGLIA	7	LEVEL HANDLE	1	FE	ACCIAIO
VITE	8	HEX NUT	1	Q235 NICKEL.PLATE	ACCIAIO-ZINCATO