



**G.T. COMIS**

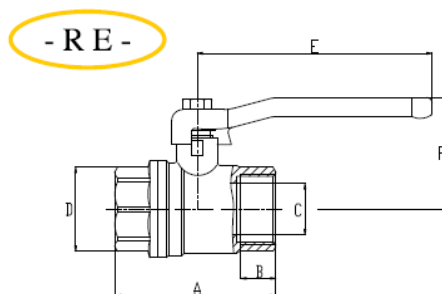
RACCORDERIE EMILIANE

Via Nino Bixio, 12 - 44042 CENTO (FE) • tel. 051 904583 r.a. - fax 051 904243  
e-mail gtcomis@gtcomis.it

## SCHEMA TECNICA – Technical Sheet

### ART. 300: Valvola a sfera F.F. con leva

F.F. ball valve, with handle, body  
nickel brass



**Materiale/**Material: Maniglia a leva in acciaio, corpo in ottone nichelato, guarnizioni in P.T.F.E./Lever handle in steel, nickel-plated brass body, P.T.F.E. gasket

**Filettatura/**Thread: UNI ISO 228-1

**Normativa/**Norm: DM 174 06/04/2004

Codice - Code	Ø	A mm	B mm	C mm	D mm	E mm	F mm	Pressione kg/cm <sup>2</sup>	Conf. - Pack ☞ ☐
1100027	3/8"	46,0	10,0	9,9	21,6	86,5	40,0	30 bar	10 200
1100028	1/2"	51,0	11,5	14,0	24,7	84,0	41,0	30 bar	16 160
1100029	3/4"	60,0	13,0	19,0	29,5	84,0	44,5	30 bar	12 120
1100030	1"	65,0	14,0	22,5	36,0	104,5	57,0	30 bar	10 80
1100031	1"1/4	78,0	14,5	30,0	46,0	120,0	63,0	20 bar	8 32
1100032	1"1/2	83,0	15,5	35,0	52,5	162,0	72,5	20 bar	6 24
1100033	2"	98,0	16,5	45,0	65,0	168,0	86,0	20 bar	2 16
1100034	2"1/2	123,5	19,0	59,0	82,5	220,0	105,0	16 bar	2 6
1100035	3"	154,0	22,0	73,0	100,0	255,0	130,0	16 bar	2 4
1100037	4"	177,0	24,0	95,0	126,0	255,0	144,0	16 bar	2 2

Temperatura d'esercizio min/max: -20°C +150°C

Min / max operating temperature: -20 ° C + 150 ° C

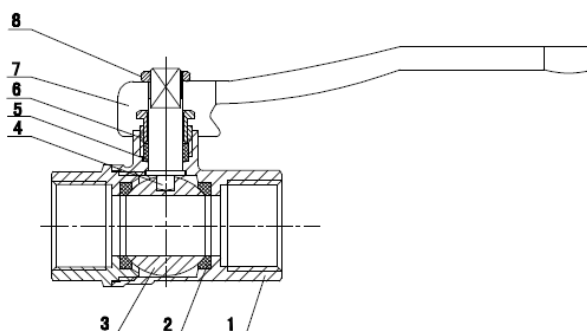
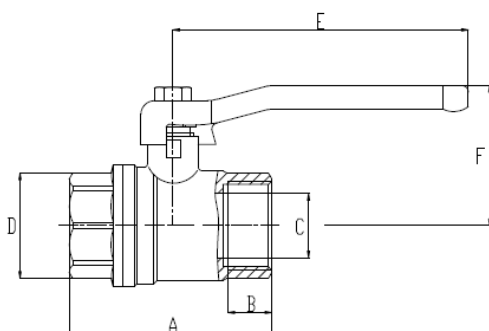


**G.T. COMIS**

RACCORDERIE EMILIANE

Via Nino Bixio, 12 - 44042 CENTO (FE) • tel. 051 904583 r.a. - fax 051 904243  
e-mail gtcomis@gtcomis.it

## SCHEDA TECNICA – Technical Sheet



	N° POS	DESCRIZIONE DESCRIPTION	Q.tà Q.ty	MATERIALE MATERIAL	
CORPO	1	BODY	1	CW617N	OTTONE
SEDE	2	SEAT	2	P.T.F.E.	P.T.F.E.
SFERA	3	BALL	1	HPb58-3A	OTTONE
ASTA DI MANOVRA	4	STEM	1	HPb58-3A	OTTONE
ANELLO DI TENUTA	5	SEALING RING	1	P.T.F.E.	P.T.F.E.
DADO	6	FIXING NUT	1	HPb58-3C	OTTONE
MANIGLIA	7	LEVEL HANDLE	1	FE	ACCIAIO
VITE	8	HEX NUT	1	Q235 NICKEL.PLATE	ACCIAIO-ZINCATO