

# OKW-18



# SUPERIOR PERFORMANCE



## MACHINE SIZE

3320\*940\*2400mm

## BUCKET CAPACITY

0.02m<sup>3</sup>

## RATED POWER

18.8kw

**OPTION:**  **CAB**  **ROOF**

# APPLICABLE SCENARIOS

## TAIL-LESS DESIGN FOR TIGHT SPACES

45°  
left

**BOOM SWING**

45°  
right



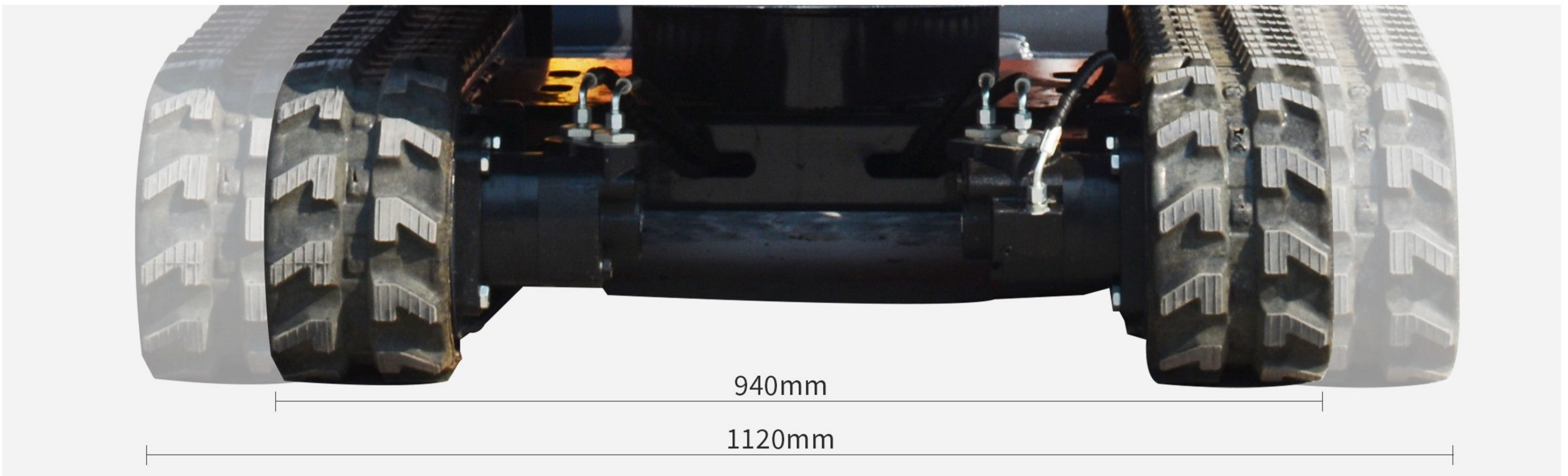
WITH A WIDTH OF 940MM,CAN OPERATE IN NARROW SPACES WITH A WIDTH OF AROUND 1000MM

# KEY FEATURES & ADVANTAGES



## ■ ENHANCED DIGGING POWER

The OKW18's bucket delivers exceptional digging power. Its powerful, well-balanced arm and bucket enable operators to dig efficiently even in harsh environments.



## ■ VARIABLE GAUGE (OPTIONAL)

To optimize stability when using heavy-duty attachments, With heavy-duty attachments, the OKW18 tracks can be extended up to 1,120 mm and retracted to 940 mm. This allows the machine to pass through narrow doorways and tight workspaces. Both adjustments can be made easily by operating the separate track gauge adjustment lever.



## ■ EARTH-MOVING SHOVEL

Made from high-tensile, durable steel

# PRODUCT DETAILS

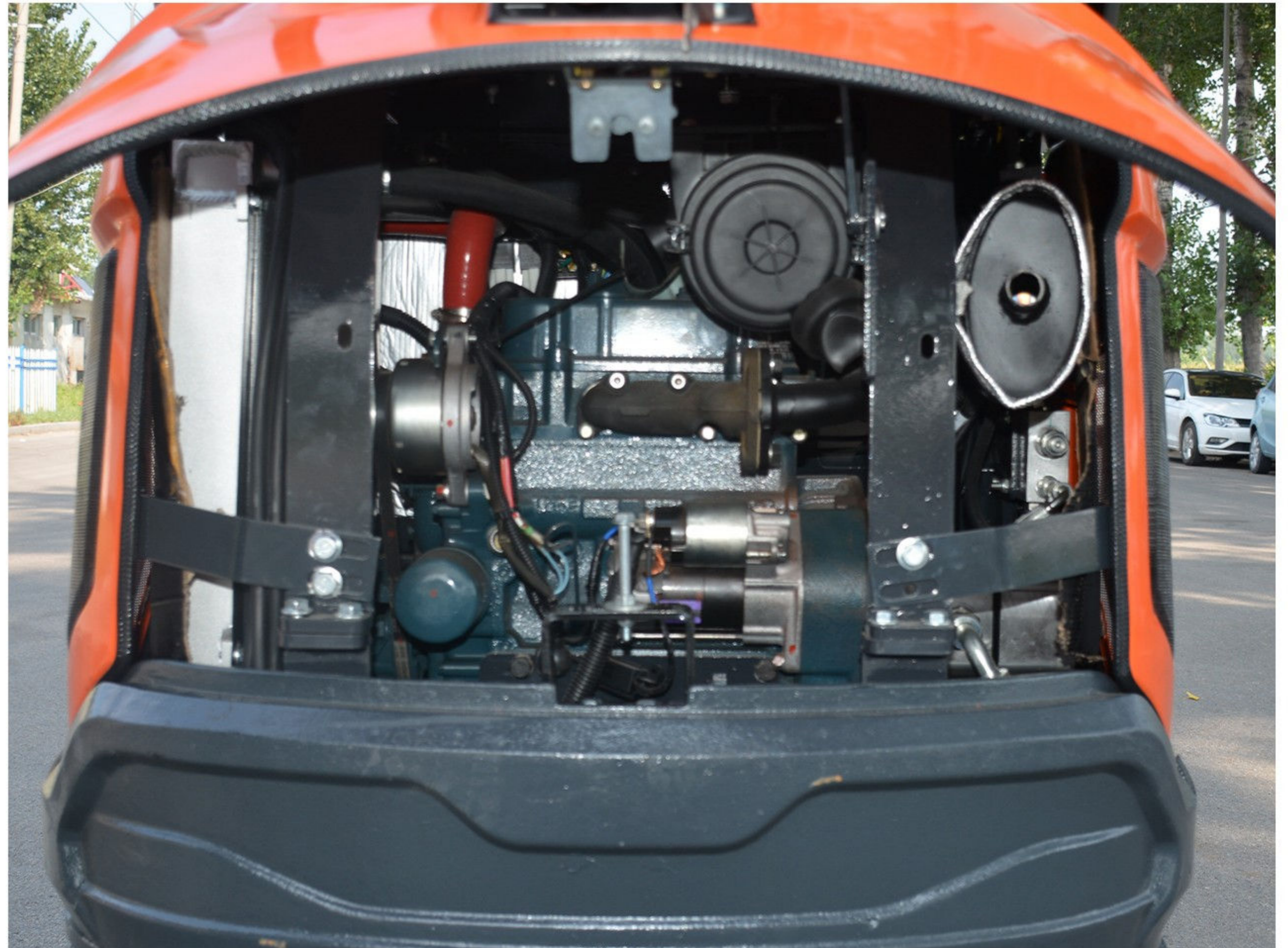


## ■ BOOM SWING

The front part of the machine is equipped with a side-shifting device, the big arm can swingsideways 45 degrees to the left and 45 degrees to the right, allowing for direct excavation work similar to the root zone of a wall, without the need for frequent movement of the machine body. This design is especially suited for operations on narrow sites.

## ■ ENGINE

The LAIDONG engine, which meets National II/Euro V/EPA standards, ensures strong power while being more fuel-efficient. It achieves abalance between excellent power and economy.



## ■ HYDRAULIC SYSTEM

Featuring a famous brand hydraulic pump, distributor and slewing travel motor, this system is a perfect match for optimal operational coordination.



# PARAMETER DISPLAY

Project Type	OKW18
Rating	kubota 10.2kw/laidong 18.8kw
Fuel tank capacity	9.5L
Standard bucket width	400mm
Bucket capacity	0.02m <sup>3</sup>
Operation weight	1800kg
Chassis telescopic range	160mm
Maximum digging force	10KN
Multiway Valve Brands	BEIFANG
Hydraulic pumps (brand, gear plunger)	Shimadzu
Hydraulic flow rate	22L/min
Operating pressure	20Mpa
Slewing Motor Brands	Livo
Slewing speed	9km/h
Traveling Motor Brands	Livo
Travel speed	2km/h
Climbing angle	30°
Ground Specific Pressure	30Kpa
Maximum digging depth	2000mm
Maximum digging distance	3260mm
Maximum vertical boom digging depth	1800mm
Maximum digging height	3030mm
Maximum unloading height	2080mm
Minimum Turning Radius	1500mm
Chassis width	1100mm
Bulldozer height width	220*1100mm
Overall dimensions	3320*940*2400mm
Track width	180mm
Track center distance	920mm
Pin Diameter	25mm
Inner file	90mm
Orifice	90mm

