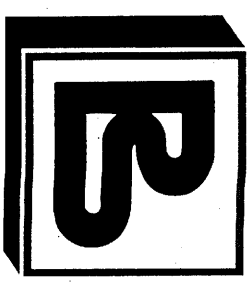


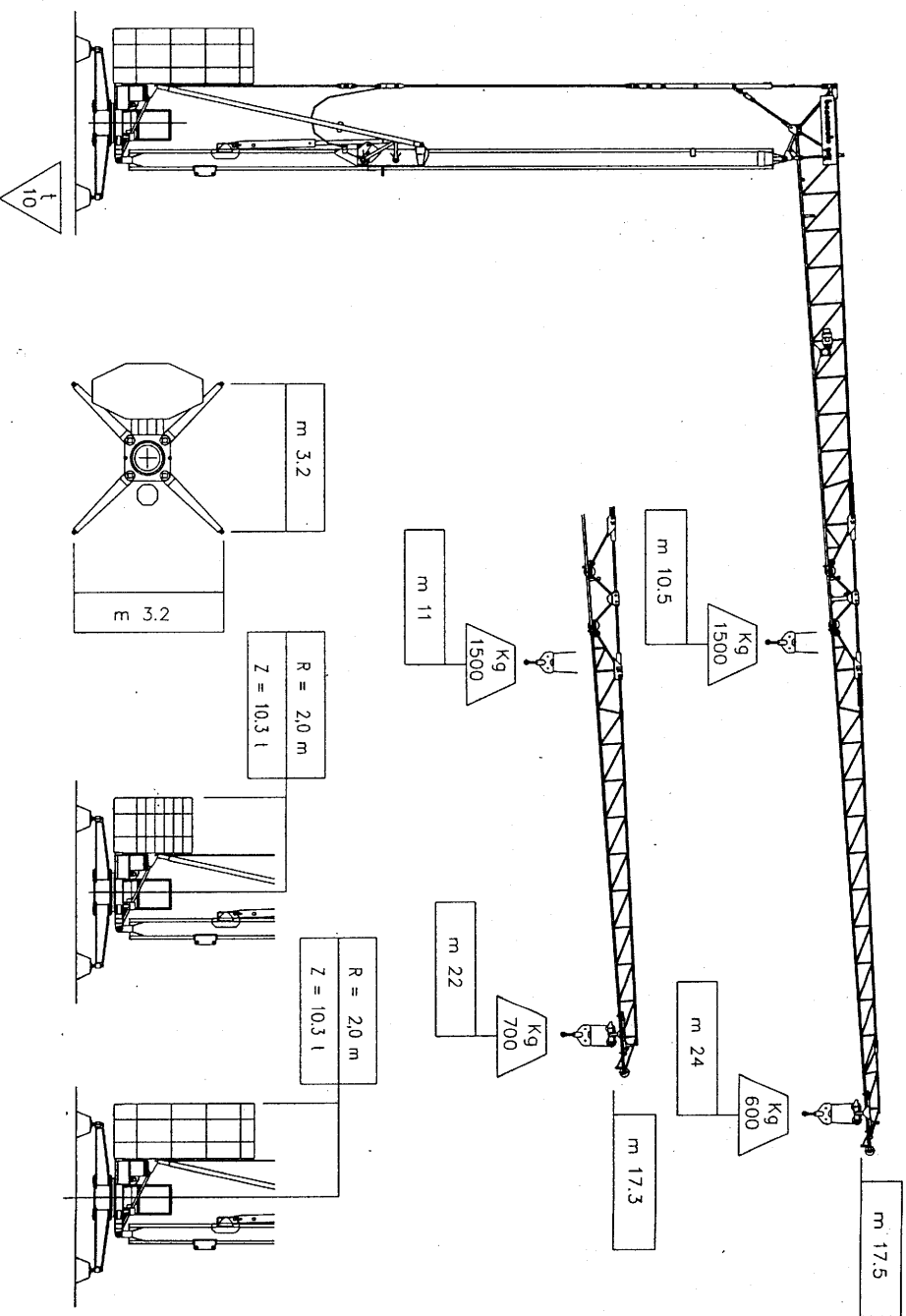
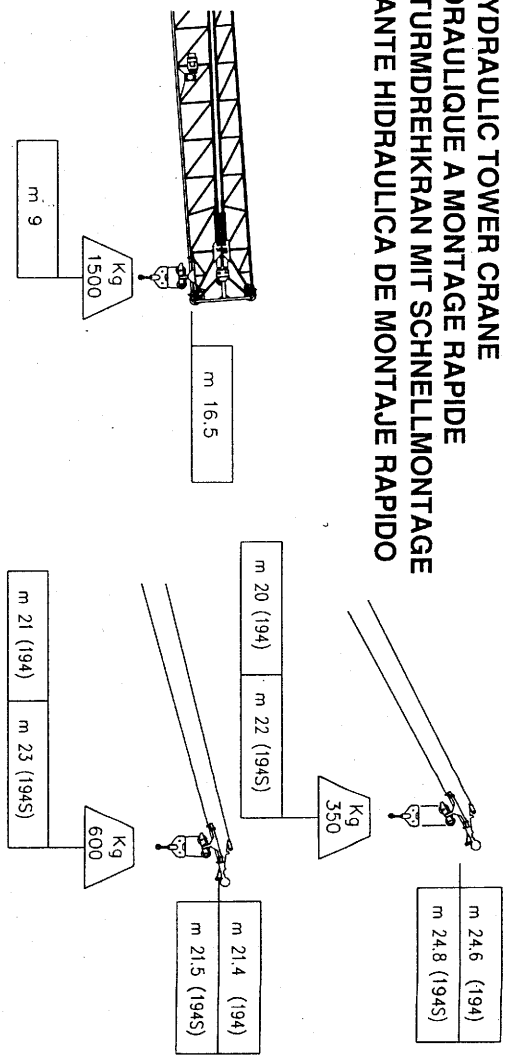
benazzato gru S.p.A.



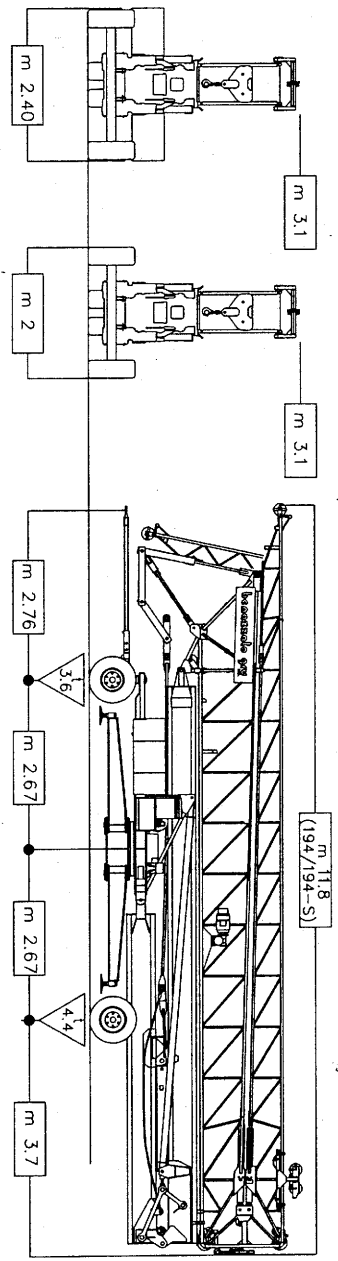
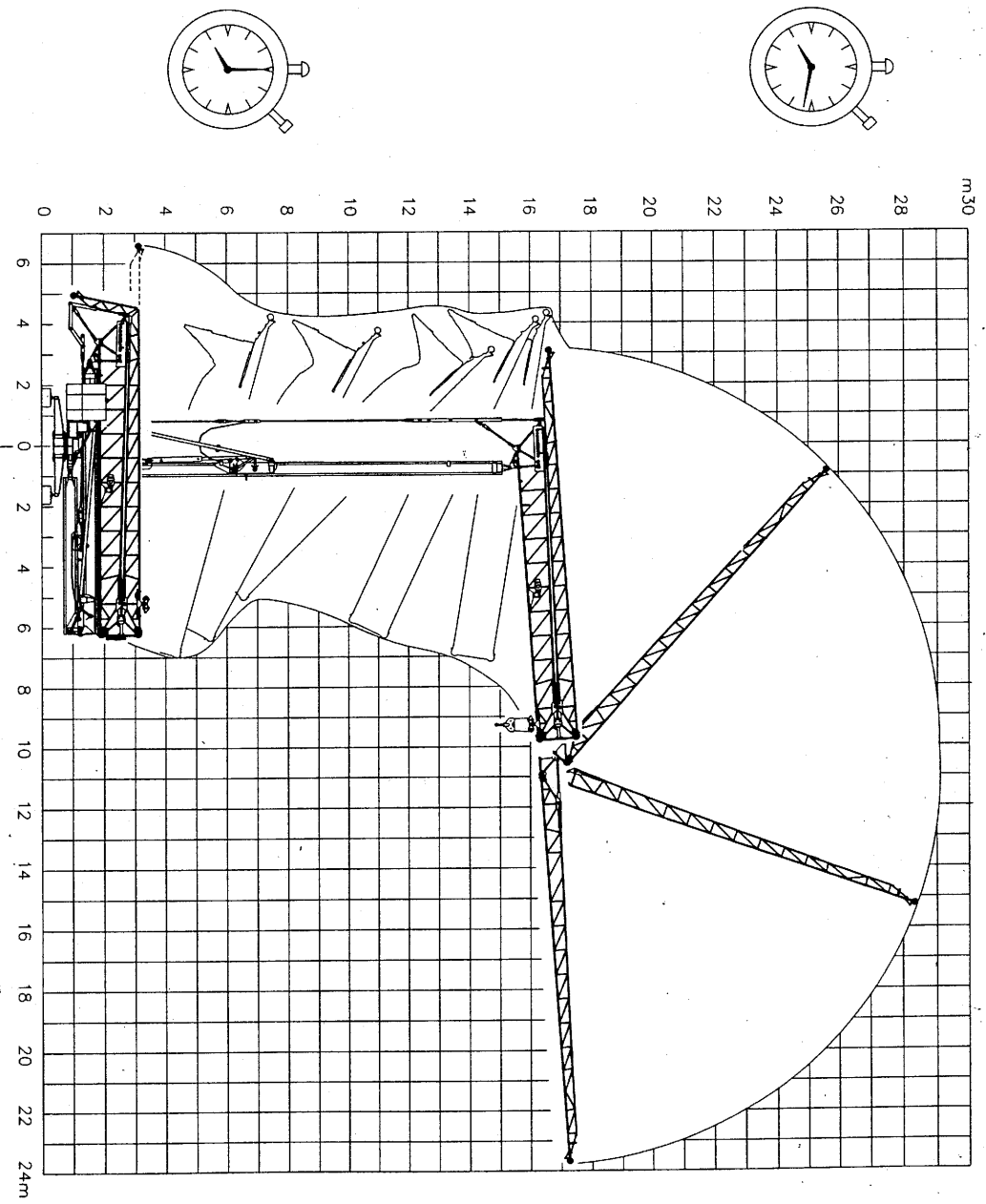
UFFICI - STABILIMENTO: 28047 OLEGGIO (NO) ITALY - VIA SANTO STEFANO 103
 TELEFONO 0321 / 93.535 - 94.734 (ric. aut.) - FAX 0321 / 94.824
 E-mail: info@benazzatogru.it - web site www.benazzatogru.it

SERIE 194 TIPO 17-22-700 194S TIPO 17-24-600

**MONTAGGIO IDRAULICO SUPERAUTOMATICO
 SELF-ERECTING HYDRAULIC TOWER CRANE
 GRUE A TOUR HYDRAULIQUE A MONTAGE RAPIDE
 HYDRAULISCHER TURMDREHKRAN MIT SCHNELLMONTAGE
 GRUA AUTOMONTANTE HIDRAULICA DE MONTAJE RAPIDO**



	Kg	SERIE 194	1500	1350	1150	980	870	770	700
	m		10.5	11	12	14	16	20	22
	Kg	SERIE 194S	1500	1400	1280	1070	930	820	730
									24
									660
									600



DIN 15018 H₁ B₂ B₃ DIN 15019

	m/min 27 - 800 Kg	Kw 4.4	TRIFASE TRIFASICA TRIPHASEE THREE-PHASE DREHSTROM	V 380
	m/min 13.5-1500 Kg (m/min 3.5-1500 Kg)	Kw 3.7 Kw (optional) 1.1		
	rpm upm 0.35/0.9	Kw 1.5		
	m/min 25-1500 Kg	Kw 1.5	MAX. POWER KVA 9	

Torre in tubo ottagonale
 Crane with octagonal closed beam tower
 Grue avec mat en tube octogonal
 Kran mit oktagonalem Rohrturnm
 Torre de tubo octogonal

Reserva di modifiche - Subject to modifications - Modifications reserves - Aenderungen vorbehalten - Reserva de modificaciones