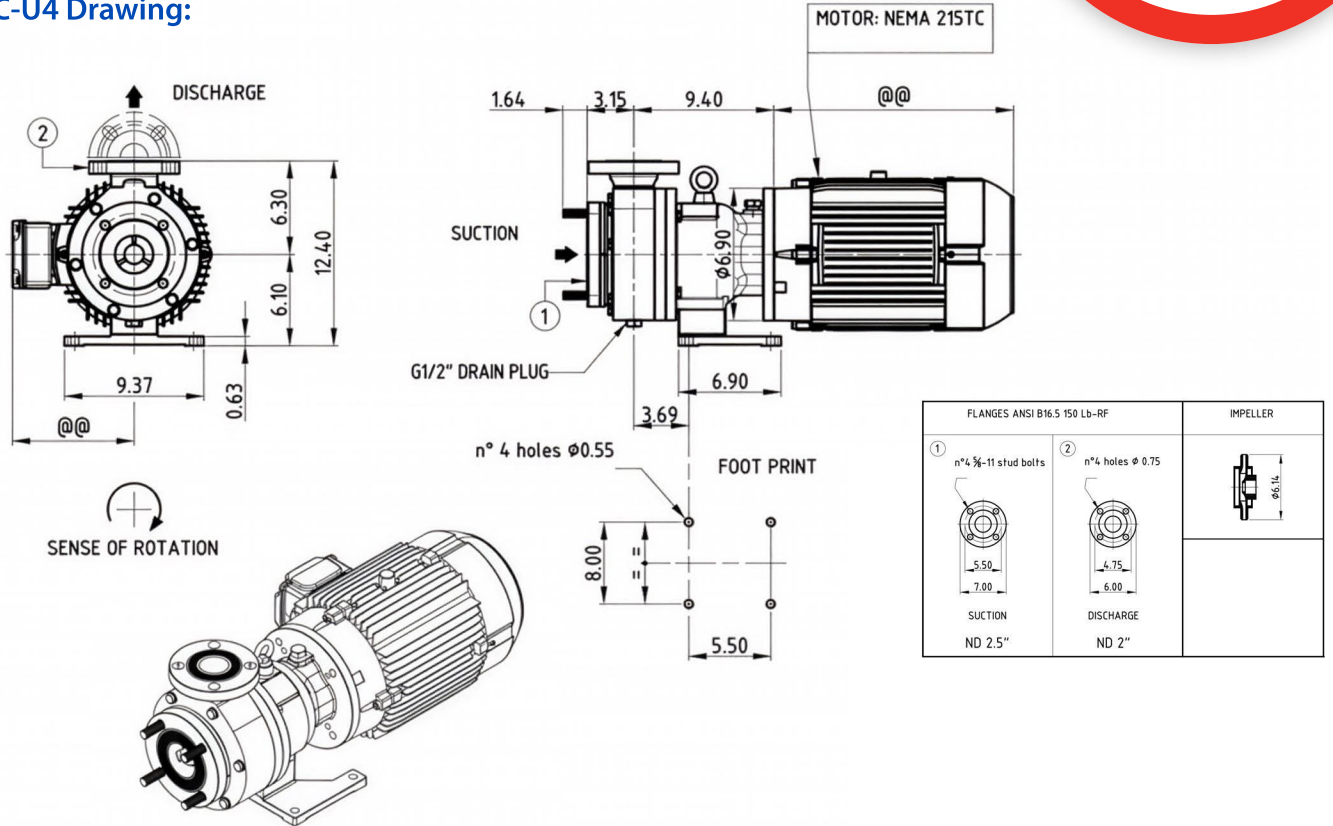
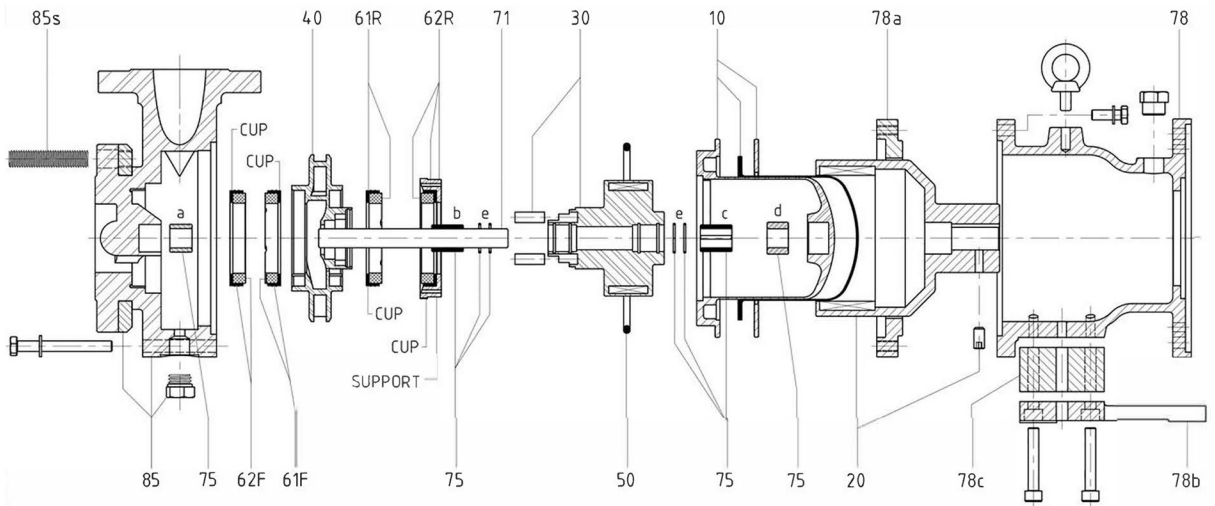


### WMC-U4 Drawing:



### WMC-U4 Exploded View:

REF	DESCRIPTION
10	Rear Casing-Reinforc. FC +Rear Casing Flange (incl. of 75d)
20	Ext. Magnet
30	Int. Magnet (incl. of 75b-75c-a-rings 2100 [e])
40	Impeller (incl. of 61F+61R)
50	O-Ring 228 (628)
61F	Imp. Front Thr. Brg-Cup
61R	Imp. Rear Thr. Brg-Cup
62F	Casing Front Thr. Brg-Cup
62R	Casing Rear Thr. Brg-Cup+Support
71	Shaft (incl. of 75d)
75	Bearings (a-d) (b-c) (incl. of o-rings 2100 [e])
78	Bracket
78a	Casing Adaptor Flange
78b	Foot
78c	Foot Adaptor Block
85	Pump Head (incl. of 62F-75a)
85s	Stud Bolts
88	Rear Wet End (10+30+40-50-61F-61R-62R-71-75)
90	Wet End (10+30+40-50-61F-61R-62F-62R-71-75-85)



\* Technical specifications available upon request