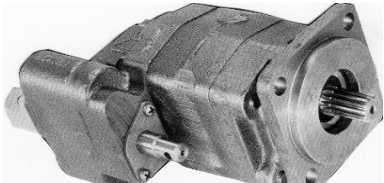


Since 1955



P.O. BOX 411897
KANSAS CITY, MO 64141

2525 BELLEVIEW
KANSAS CITY, MO 64108

PHONE: 816-221-2268
FAX: 816-221-1437

EMAIL: sales@clarksonpowerflow.com

TOLL FREE: 1-800-397-5915

www.clarksonpowerflow.com



Standard and Metric fittings available

TABLE OF CONTENTS

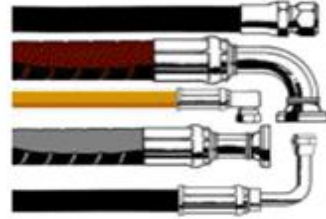
SECTION	PAGE
GENERAL INFORMATION	4-7
WHILE YOU WAIT	8
CRIMPERS	9
HOSE AND COUPLINGS	10-23
AC HOSE INFO	24
REUSEABLE (BL-BM-BN)	25-27
THERMOPLASTIC HOSE	28
RED AIR HOSE	29
HOSE GUARD	30
STEEL ADAPTERS	31-51
METRIC ADAPTERS	52-60
STEEL FLARELESS BITE TYPE FITTINGS	61
ECONOMICAL QUICK DISCONNECTS	62-67
SNAPTITE QUICK DISCONNECTS	68-70
PARKER QUICK DISCONNECTS	71-77
STUCCHI QUICK DISCONNECTS	78-80
AIR QUICK DISCONNECTS	81-82
STEEL AND COPPER TUBE	83
METRIC TUBE	84
TUBE BENDERS	85
BETA CLAMPS	86
THERMOPLASTIC TUBING AND RACKS	87
BRASS POLY FLO FITTINGS	88
NYLO-SEAL FITTINGS	89
PUSH TO CONNECT FITTINGS	90
BARB-RENEWABLE	91
45 DEGREE BRASS	92
BRASS COMPRESSION	93
BRASS PIPE	94
INVERTED FLARE	95
ARROW PNEUMATICS	96-98
PUMPS, MOTORS, CYLINDERS, VALVES	99-127
BRASS BALL VALVES & STEEL NEEDLE VALVES	113
HYDRAULIC BREATHERS	114
RELIEF VALVES AND BALL VALVES	115
A20 & A35 PARKER CONTROL VALVES	116
CHECK VALVES	125
STEEL LIVE SWIVELS	126
HYDRAULIC GAUGES	127

FOR ALL YOUR HYDRAULIC AND PNEUMATIC NEEDS CALL



Clarkson Power Flow, Inc.
2525 Bellevue
Kansas City, MO 64108

Phone: 816-221-2268
Fax: 816-221-1437
Toll Free: 800-397-5915



sales@clarksonpowerflow.com

-OR-

COME IN TO OUR CITY COUNTER

OPEN MONDAY THRU FRIDAY 7:30 TO 5:00
AFTER HOURS SERVICE AVAILABLE BY CALLING 816-516-4760

ONE OF THE LARGEST STOCKING DISTRIBUTORS IN KANSAS CITY

HYDRUALIC COMPONENTS

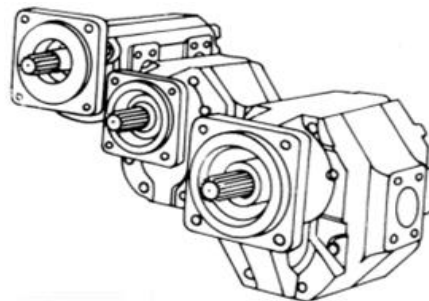
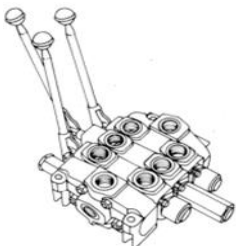
PUMPS	HYDRAULIC HOSE
MOTORS	HOSE COUPLINGS
CONTROL VALVES	TUBE FITTINGS
BALL VALVES	ADAPTERS
CHECK VALVES	STAINLESS STEEL
SHUTTLE VALVES	STEEL TUBING
FLOW CONTROL	PRESSURE
VALVES	GAUGES
FILTERS	HYDRAULIC HOSE
QUICK	CYLINDERS
DISCONNECTS	TEFLON TAPE

PNEUMATIC COMPONENTS

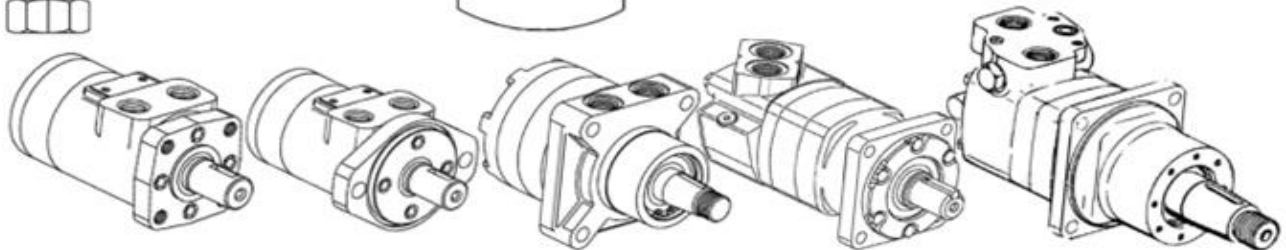
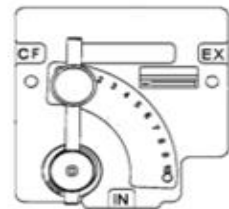
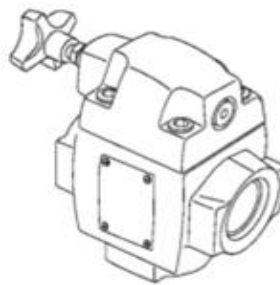
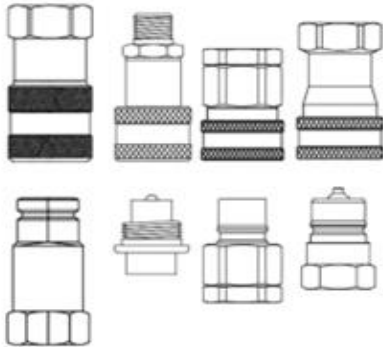
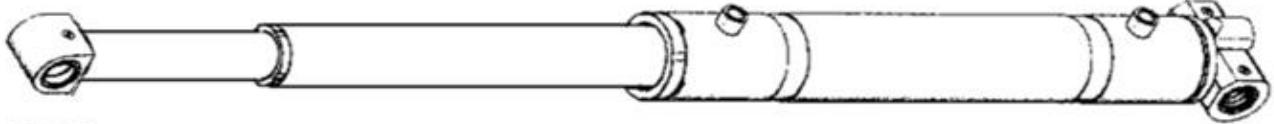
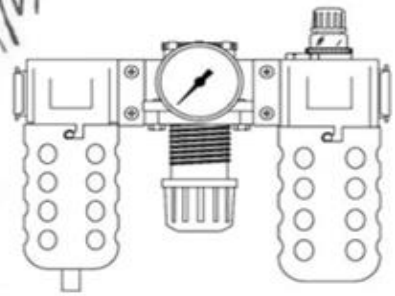
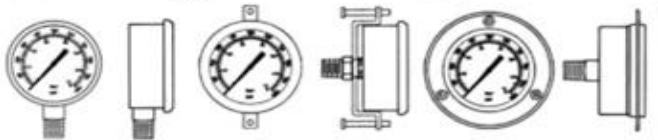
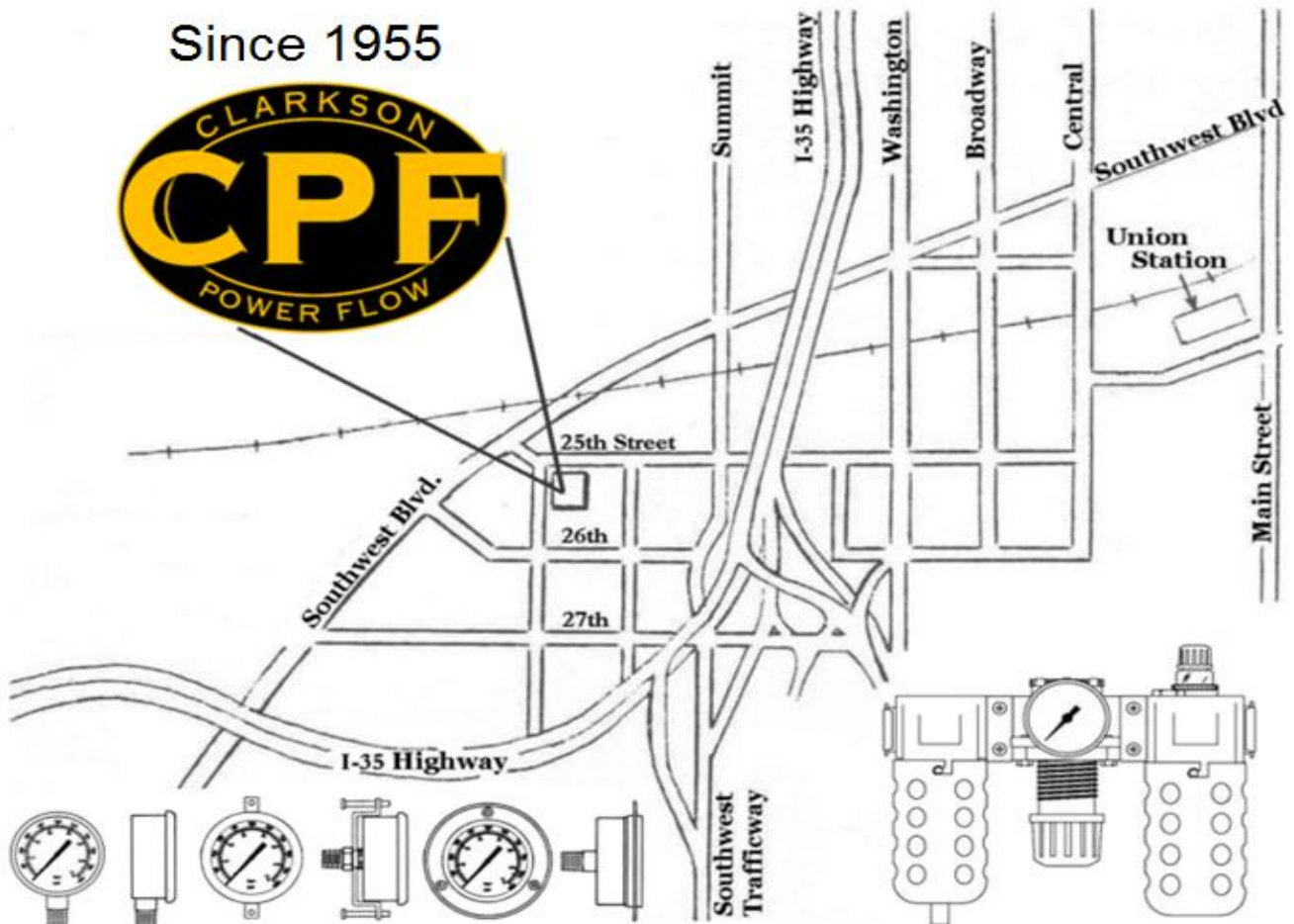
FILTERS	AIR CYLINDERS
REGULATORS	CHECK VALVES
LUBRICATORS	QUICK
OILESCERS	DISCONNECTS
PLASTIC TUBING	FLOW CONTROL
COPPER TUBING	VALVES
THERMOPLASTIC	AIR GAUGES
TUBE FITTINGS	HOSE CLAMPS
BRASS TUBE	AIR HOSE
FITTINGS	BRASS PIPE
	FITTINGS

SERVICES

- FABRICATE HOSE ASSEMBLIES AND TUBE LINES WHILE YOU WAIT
- AUTHORIZED DEALER TO SERVICE PARKER PUMPS, MOTORS, AND CONTROL VALVES
- REPAIR MOST MAJOR BRANDS OF HYDRAULIC PUMPS, MOTORS VALVES, AND CYLINDERS
- TEST HYDRAULIC PUMPS AND MOTORS ON OUR 50 HORSEPOWER TEST STAND FOR GALLONS PER MINUTE AND PRESSURE
- TEST HYDRAULIC CONTROL VALVES AND RELIEF VALVES
- TEST GAUGES AND HOSE ASSEMBLIES
- COMPUTERIZED TUBE BENDING



Since 1955



CLARKSON POWER FLOW, INC.

TERMS AND CONDITIONS

- TERMS: Net 30 days. Any account 45 days or older may be put on COD status.
- FREIGHT: F.O.B. Kansas City, MO on all stock items.
- Incoming freight will be charged on non-stock items or rush orders.
- PRICING: Prices are subject to change without notice. Clarkson will not be responsible for omissions or typographical errors.
- RETURN POLICY: Any items made to order such as pumps, motors, hose and steel tube assemblies are not returnable.
- All returns must be authorized in advance.
- Non-stock items will be returned to the manufacturing company and a restocking fee will be determined by the manufacturing company.
- Please call for your RGA number. When returning, place this number on the paperwork and box being returned.
- CANCELLATIONS: All cancellations will be subject to acceptance by Clarkson and may be subject to a cancellation charge.
- SHORTAGES: All claims for shortages must be made within 10 days of receiving materials.
- WARRANTY: Clarkson warrants its goods to be free from defects of materials and workmanship for a period of 30 days from date of shipment. Clarkson, or the manufacturer, will replace any defective item due to workmanship or manufacturer error upon inspection. Clarkson will not pay labor, mileage or other expenses.
- CONSEQUENTIAL DAMAGE: Clarkson Power Flow, Inc. shall not be liable for any consequential, contingent or incidental damages.
- SERVICES: Fabricate hose assemblies and steel lines, domestic and metric, while you wait. Authorized dealer to service Commercial/Parker pumps, motors, valves and cylinders. Test gauges and hose assemblies. Tube forming and flaring. Stock all metric fittings- British (BSP), French (GAZ), Japanese (JIS), and German (DIN).

CLARKSON POWER FLOW, INC.

3 EASY WAYS TO ORDER FOR SAME DAY SHIPMENT

Our staff of professional sales people will be glad to assist you.

- 1) Phone 816-221-2268 or 800-397-5915
- 2) Fax your order to 816-221-1437
- 3) Email your order to sales@clarksonpowerflow.com.

Your company may already have an account with us. If not, call us and we will start working right away to open an account.

We accept most major credit cards.

COPYRIGHT PROTECTION

No reproduction either in whole or in part may be made from this catalog without the written permission from us. Any reproduction of this catalog constitutes a violation of the copyright laws of the United States of America.

Clarkson Power Flow, Inc. ©2015

SERVICES WHILE YOU WAIT

STEEL TUBE ASSEMBLIES

TWO PINES BENDERS-CAPACITIES FROM 1/4" TO 1 1/2" O.D.
STEEL, STAINLESS STEEL, AND COPPER



PUMPS

NEW PUMPS, MOTORS, PARTS, AND REPAIRS FOR MOST MAJOR BRANDS.



HOSE ASSEMBLIES

STANDARD, METRIC, AND FLAT FACE HOSE ASSEMBLIES
HOSE COUPLINGS, ADAPTERS, AND FLANGE HOSE ENDS CODE 61 & 62



1,000 - 10,000 PSI PRESSURE HOSE

[Contact Us](#)

EMAIL: SALES@CLARKSONPOWERFLOW.COM

CRIMPERS

KH-60 Crimper (Basic)



- Heavy duty 60+ ton capacity
- 1/8" to 1-1/4" 6-wire capability
- Fully adjustable crimp settings
- 0.125" to 2.75" crimp capability
- Auto microswitch shut-off
- Good crimp visibility
- Comes with 5 dies standard
- Includes die holder
- Quick crimp cycle time
- Well accepted Dayco die configuration
- Interchangeable with Dayco dies
- Built for longevity

KH-60-P Portable Crimper (Basic)



- Heavy duty 60+ ton capacity
- 1/8" to 1-1/4" 6-wire capability
- Fully adjustable crimp settings
- 0.350" to 2.50" crimp capability
- Good crimp visibility
- Interchangeable with Dayco dies
- Built for longevity



KH-60P-20-405-AP



KH-60P-406HP

KH-80 Crimper



- Heavy duty 80+ ton capacity
- 1/8" to 2" 6-wire capability
- Fully adjustable crimp settings
- 0.125" to 2.75" crimp capability
- Auto microswitch shut-off
- Good crimp visibility
- Comes with 10 dies standard
- Includes die holder
- Quick crimp cycle time
- Well accepted Dayco die configuration
- Interchangeable with Dayco dies
- Built for longevity

HOSE COUPLINGS

METRIC, JIS, BSP, and DIN KWIKRIMP Couplings



Coupling Recommendation for Hose Fittings

KU - Style Fittings for the Following Hose:

- R-1
- R-12
- R-16
- R-17
- R-5
- R-4 (size 12-16-20)

KW - Style Fittings for the Following Hose:

- R-4 (size 12 through 32)
- R-12 (all sizes)
- 4SH (size 12 through 24)

JJ Style Fittings for the Following Hose:

- 4SH (size 32)
- R13 (size 20-24-32)

HOSE

SAE 100R1 AT HYDRAULIC HOSE



****Also available
R1-20 AND R1-24**

Meets or exceeds requirements of SAE 100R1AT.
Tube: Black, oil resistant, Nitrile (BTR).
Reinforcement: One braid of higher tensile steel wire
Cover: Black, oil and abrasion resistant Neoprene (CR). MSHA accepted
Temperature range: -40 F to +212 F
No Skiving required

Part Number	Hose I.D. (in.)	Hose O.D. (in.)	Rated W.P. (psi)	Min. Burst (psi)	Min. Bend (in.)	Reel Size
R1-04 Reel	1/4	0.53	2,750	11,000	4	500
R1-06 Reel	3/8	0.69	2,250	9,000	5	500
R1-08 Reel	1/2	0.82	2,000	8,000	7	350
R1-10 Reel	5/8	0.94	1,500	6,000	8	650
R1-12 Reel	3/4	1.1	1,250	5,000	9.5	500
R1-16 Reel	1	1.41	1,000	4,000	12	280

SAE 100R16 HYDRAULIC HOSE



Meets or exceeds requirements of SAE 100R16.
Tube: Black, oil resistant, Nitrile (BTR).
Reinforcement: Two braids of higher tensile steel wire
Cover: Black, oil and abrasion resistant Neoprene (CR).
Temperature range: -40 F to +212 F
No Skiving required

Part Number	Hose I.D. (in.)	Hose O.D. (in.)	Rated W.P. (psi)	Min. Burst (psi)	Min. Bend (in.)	Reel Size
R16-04 Reel	1/4	0.55	5,000	20,000	2	500
R16-06 Reel	3/8	0.67	4,000	16,000	2.5	450
R16-08 Reel	1/2	0.81	3,500	14,000	3.5	320
R16-10 Reel	5/8	0.93	2,750	11,000	4	520
R16-12 Reel	3/4	1.07	2,250	9,000	4.8	400
R16-16 Reel	1	1.37	2,000	4,000	6	200

SAE 100R2 AT HYDRAULIC HOSE



****Also available
R2-24 and R2-32**

Meets or exceeds requirements of SAE 100R2AT.
Tube: Black, oil resistant, Nitrile (BTR).
Reinforcement: Two braid of high tensile steel wire
Cover: Black, oil and abrasion resistant Neoprene (CR). MSHA accepted
Temperature range: -40 F to +212 F
No Skiving required

Part Number	Hose I.D. (in.)	Hose O.D. (in.)	Rated W.P. (psi)	Min. Burst (psi)	Min. Bend (in.)	Reel Size
R2-04 Reel	1/4	0.59	5,000	20,000	4	500
R2-06 Reel	3/8	0.75	4,000	16,000	5	450
R2-08 Reel	1/2	0.88	3,500	14,000	7	320
R2-10 Reel	5/8	0.98	3,625	14,500	8	520
R2-12 Reel	3/4	1.16	2,250	9,000	9.5	400
R2-16 Reel	1	1.5	2,000	8,000	12	200
R2-20 Reel	1 1/4	1.87	1,825	7,300	16.5	150

SAE 100R17 HYDRAULIC HOSE

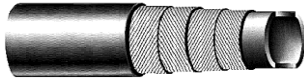


Meets or exceeds requirements of SAE 100R17
Tube: Black, oil resistant, Nitrile (BTR).
Reinforcement: One or Two braid of high tensile steel wire
Cover: Black, oil and abrasion resistant Neoprene (CR). MSHA accepted
Temperature range: -40 F to +212 F
No Skiving required

Part Number	Hose I.D. (in.)	Hose O.D. (in.)	Rated W.P. (psi)	Min. Burst (psi)	Min. Bend (in.)	Reel Size
R17-04 Reel	1/4	0.5	3,000	12,000	2	500
R17-06 Reel	3/8	0.66	3,000	12,000	2.5	500
R17-08 Reel	1/2	0.8	3,000	12,000	3.5	350
R17-10 Reel*	5/8	1	3,000	12,000	4	520
R17-12 Reel*	3/4	1.18	3,000	12,000	4.8	400
R17-16 Reel*	1	1.48	3,000	12,000	6	200

* Two High Tensile steel wire braids

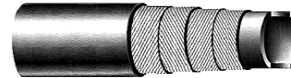
SAE 100R12 HYDRAULIC HOSE



Meets or exceeds requirements of SAE 100R12.
Tube: Black, oil resistant, synthetic rubber.
Reinforcement: Four spiraled layers of higher tensile steel wire
Cover: Gray, oil and abrasion resistant Synthetic Rubber.
Temperature range: -40 F to +250 F

Part Number	Hose I.D. (in.)	Hose O.D. (in.)	Rated W.P. (psi)	Min. Burst (psi)	Min. Bend (in.)	Coil Size
R12-06	1/2	0.8	4,000	16,000	5	100-150
R12-08	1/2	0.94	4,000	16,000	7	100-150
R12-12	3/4	1.21	4,000	16,000	9.5	100-150
R12-16	1	1.5	4,000	16,000	12	100-150
R12-20	1 1/4	1.85	3,000	12,000	16.5	131
R12-24	1 1/2	2.11	2,500	10,000	20	131
R12-32	2	2.63	2,500	10,000	25	131

4SH HYDRAULIC HOSE



Meets or exceeds requirements of DIN 20023
Tube: Black, oil resistant, synthetic rubber.
Reinforcement: Four spiraled layers of higher tensile steel wire
Cover: Black, oil and abrasion resistant Synthetic Rubber.
Temperature range: -40 F to +250 F

Part Number	Hose I.D. (in.)	Hose O.D. (in.)	Rated W.P. (psi)	Min. Burst (psi)	Min. Bend (in.)	Coil Size
4SH-12	3/4	1.21	6,095	24,380	9.5	
4SH-16	1	1.5	5,515	22,060	12	
4SH-20	1 1/4	1.85	5,000	20,000	16.5	131
4SH-24	1 1/2	2.11	4,200	16,800	20	131
4SH-32	2	2.63	3,625	14,500	25	131

HJK JACK HOSE



Tube: Black, oil resistant synthetic rubber.
Reinforcement: Two braid of high tensile steel wire
Cover: Black, abrasion and weather resistant, synthetic rubber
Temperature range: -40 F to +212 F

No Skiving required

Part Number	Hose I.D. (in.)	Hose O.D. (in.)	Rated W.P. (psi)	Min. Burst (psi)	Min. Bend (in.)	Reel Size
HJK-04 Reel	1/4	0.59	10,000	20,000	4	500
HJK-06 Reel	3/8	0.75	10,000	20,000	7	450

CALL FOR YOUR PRICING!

HOSE

SAE 100R13 HYDRAULIC HOSE



Meets or exceeds requirements of SAE 100R13.
Tube: Black, oil resistant, synthetic rubber.
Reinforcement: up to 1" Four, From 1 1/4" up six spiraled layers of higher tensile steel wire
Cover: Black, oil and abrasion resistant Synthetic Rubber.
Temperature range: -40 F to +250 F

Part Number	Hose I.D. (in.)	Hose O.D. (in.)	Rated W.P. (psi)	Min. Burst (psi)	Min. Bend (in.)	Coil Size
R13-12	3/4	1.26	5,000	20,000	9.5	131
R13-16	1	1.54	5,000	20,000	12	131
R13-20	1 1/4	1.96	5,000	20,000	16.5	100
R13-24	1 1/2	2.26	5,000	20,000	20	100
R13-32	2	2.8	5,000	20,000	25	200

SAE 100R4 SUCTION HOSE



Meets or exceeds requirements of 100 R4
Tube: Black, oil resistant, synthetic rubber.
Reinforcement: Textile with Helix steel wire
Cover: Black, oil and abrasion resistant Synthetic Rubber.
Temperature range: -40 F to +250 F

Part Number	Hose I.D. (in.)	Hose O.D. (in.)	Rated W.P. (psi)	Min. Burst (psi)	Min. Bend (in.)	Coil Size
R4-12	3/4	1.32	300	1,200	5	100
R4-16	1	1.48	250	1,000	6	100
R4-20	1 1/4	1.77	200	800	8	100
R4-24	1 1/2	2.05	150	600	10	100
R4-32	2	2.5	100	400	12	100

SAE 100R5 HYDRAULIC HOSE



Meets or exceeds requirements of SAE 100R5.
Tube: Black, oil resistant, Nitrile (BTR).
Reinforcement: Two braid of high tensile steel wire
Cover: Black, oil and abrasion resistant textile braid
Temperature range: -40 F to +250 F (300°F intermittent)

No Skiving required

Part Number	Hose I.D. (in.)	Hose O.D. (in.)	Rated W.P. (psi)	Min. Burst (psi)	Min. Bend (in.)	Reel Size
R5-04	3/16	0.52	3,000	12,000	3	
R5-05	1/4	0.58	3,000	12,000	3.4	
R5-06	5/16	0.68	2,250	9,000	4	
R5-08	7/16	0.77	2,000	8,000	4.6	
R5-10	1/2	0.92	1,750	7,000	5.5	
R5-12	5/8	1.08	1,500	6,000	6.5	
R5-16	7/8	1.23	800	3,200	7.4	
R5-20	1 1/8	1.5	625	2,500	9	50
R5-24	1 3/8	1.75	500	2,000	10.5	50
R5-32	1 13/16	2.2	350	1,400	13.3	50

STAINLESS STEEL TEFLON HOSE



Meets or exceeds requirements of SAE 100R14
Tube: White extruded Teflon
Reinforcement: One braid of high tensile stainless steel wire
Temperature range: -65° F to +450° F
No Skiving required

Part Number	Hose I.D. (in.)	Hose O.D. (in.)	Rated W.P. (psi)	Min. Burst (psi)	Min. Bend (in.)	Coil Size
R115-04	3/16	0.312	3,000	12,000	2	
R115-05	1/4	0.375	3,000	12,000	3	
R115-06	5/16	0.445	2,500	10,000	4	
R115-06 T	3/8	0.503	2,250	9,000	4.5	
R115-08	7/16	0.549	2,000	8,000	5.2	
R115-10	1/2	0.648	1,500	6,000	6.5	
R115-12	5/8	0.778	1,200	4,800	7.7	
R115-12 T	3/4	0.886	1,100	4,400	8.2	
R115-16 T	1	1.135	900	3,600	10	

BARRIER REFRIGERANT HOSE



Recommended For: R12 and R134a Refrigerant Systems
Tube: Black, nitrile (BTR) W Nylon Barrier.
Reinforcement: one textile braid
Cover: Gray, oil and abrasion resistant EPDM.
Temperature range: -22 F to +257 F

Part Number	Hose I.D. (in.)	Hose O.D. (in.)	Rated W.P. (psi)	Min. Burst (psi)	Min. Bend (in.)	Reel Size
BH-06	5/16	0.75	350	2,000	4	825
BH-08	13/32	0.91	350	2,000	4.7	725
BH-10	1/2	1	350	2,000	5.5	700
BH-12	5/8	1.13	350	1,750	6.5	525

"KURT TUFF" HOSE 2 SNK "MILLION CYCLE"



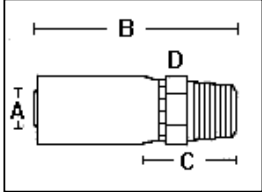
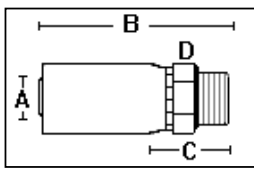
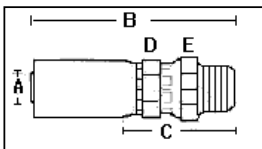
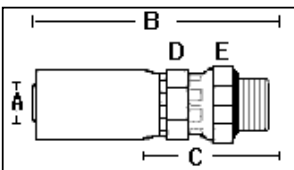
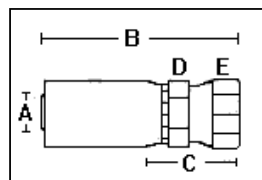
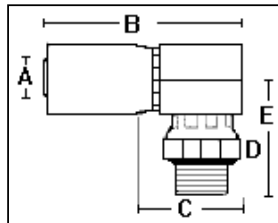
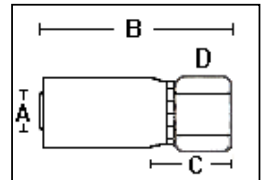
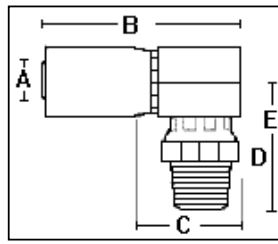
Tube: Black, oil resistant synthetic rubber.
Reinforcement: Two of high tensile steel wire braids
Cover: ozone and weather resistant synthetic rubber, MSHA and 10x abrasion resistant cover. Black, abrasion and weather resistant, synthetic rubber
Temperature range: -40 F to +212 F (+248 F max)

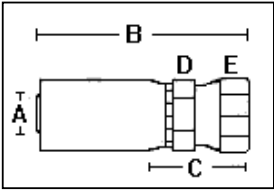
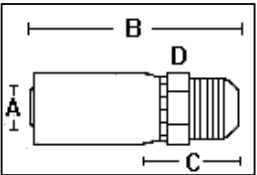
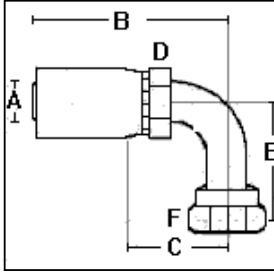
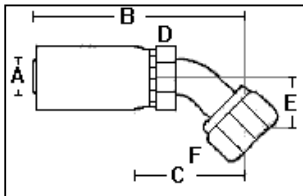
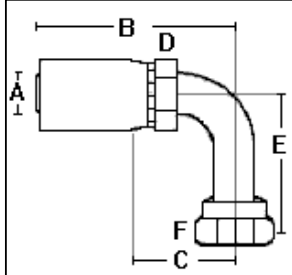
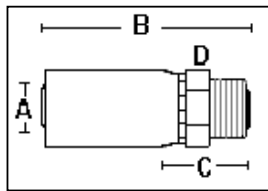
Part Number	Hose I.D. (in.)	Hose O.D. (in.)	Rated W.P. (psi)	Min. Burst (psi)	Min. Bend (in.)	Reel Size
KT-04-REEL	1/4	0.528	6,525	26,100	1.8	500
KT-06-REEL	3/8	0.685	5,585	22,340	2.8	450
KT-08-REEL	1/2	0.811	5,000	20,000	3.5	320
KT-10-REEL	5/8	0.933	4,205	16,820	5.1	520
KT-12-REEL	3/4	1.091	4,060	16,240	6.3	400
KT-16-REEL	1"	1.402	2,900	11,600	8.27	200

CALL FOR YOUR PRICING!

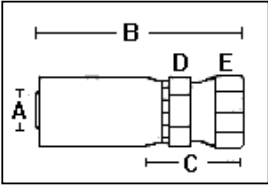
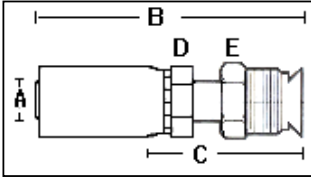
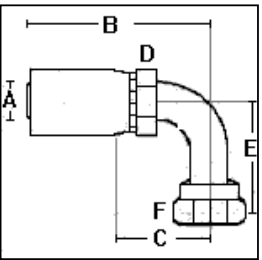
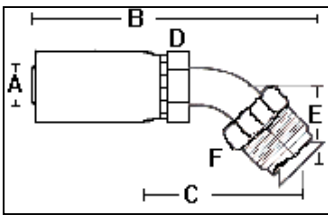
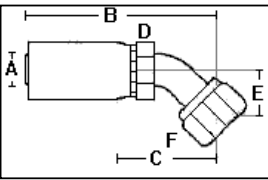
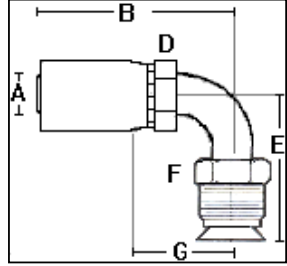
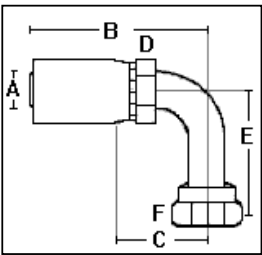
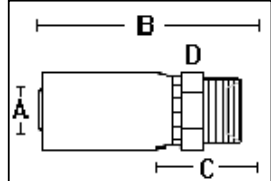
EMAIL: SALES@CLARKSONPOWERFLOW.COM

HOSE COUPLINGS

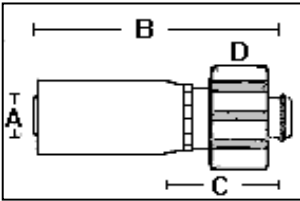
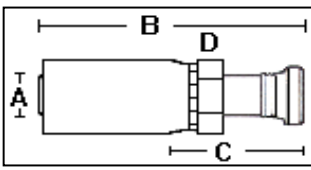
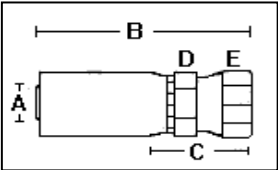
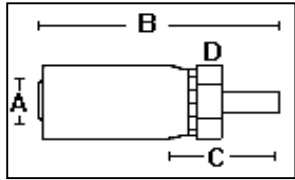
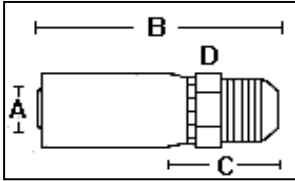
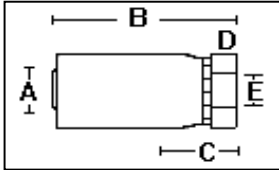
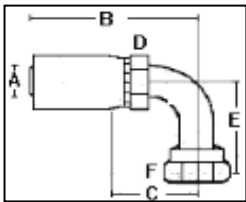
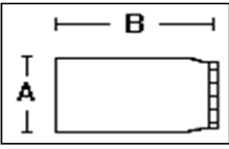
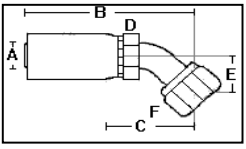
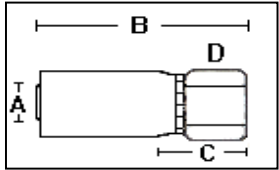
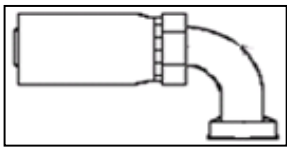
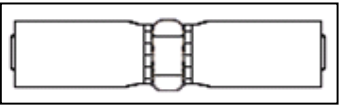
PART NUMBER		PART NUMBER							
MALE PIPE NPTF RIGID		MALE BOSS O-RING RIGID							
	KU04-02MP KU04-04MP KU04-06MP KU04-08MP KU06-04MP KU06-06MP KU06-08MP KU08-06MP KU08-08MP KU08-12MP KU10-08MP KU10-12MP KU12-08MP KU12-12MP KU12-16MP KU16-12MP KU16-16MP KU20-20MP		KU03-04RA KU04-04RA KU04-05RA KU04-06RA KU04-08RA KU06-06RA KU06-08RA KU06-10RA KU08-08RA KU08-10RA KU08-12RA KU10-10RA KU12-12RA KU16-16RA						
	MALE PIPE NPTF SWIVEL		MALE BOSS O-RING SWIVEL						
			KU04-02SP KU04-04SP KU04-06SP KU06-04SP KU06-06SP KU06-08SP KU08-06SP KU08-08SP KU12-12SP KU16-16SP		KU04-04RC KU04-06RC KU06-06RC KU06-08RC KU08-08RC KU08-10RC KU12-12RC				
			NPSM FEMALE PIPE SWIVEL		MALE BOSS O-RING SWIVEL 90°				
					KU04-04FN KU06-06FN KU08-08FN KU12-12FN KU16-16FN		KU04-04RC90 KU04-06RC90 KU06-06RC90 KU06-08RC90 KU06-10RC90 KU08-08RC90 KU08-10RC90 KU12-12RC90		
					NPSM FEMALE PIPE RIGID		MALE PIPE SWIVEL 90°		
							KU04-02FF KU04-04FF KU06-06FF KU08-08FF KU12-12FF KU16-16FF		KU04-04SP90 KU04-06SP90 KU06-04SP90 KU06-06SP90 KU06-08SP90 KU08-08SP90 KU12-12SP90

HOSE COUPLINGS		
PART NUMBER	PART NUMBER	
<p>37° JIC FEMALE SWIVEL</p> 	<p>KU02-03FJ KU03-04FJ KU03-05FJ KU04-03FJ KU04-04FJ KU04-05FJ KU04-06FJ KU06-04FJ KU06-05FJ KU06-06FJ KU06-08FJ KU06-10FJ KU08-06FJ KU08-08FJ KU08-10FJ KU08-12FJ KU10-08FJ KU10-10FJ KU10-12FJ KU12-10FJ KU12-12FJ KU12-14FJ KU12-16FJ KU16-12FJ KU16-16FJ KU16-20FJ KU20-20FJ</p>	
<p>37° JIC MALE RIGID</p> 	<p>KU04-04MJ KU04-05MJ KU04-06MJ KU06-06MJ KU06-08MJ KU06-10MJ KU08-08MJ KU08-10MJ KU08-12MJ KU10-10MJ KU10-12MJ KU12-12MJ KU12-14MJ KU12-16MJ KU16-16MJ KU20-20MJ</p>	
	<p>37° JIC FEMALE 90° TUBE SWIVEL</p> 	<p>KU04-04FJ90T KU04-05FJ90T KU04-06FJ90T KU06-04FJ90T KU06-06FJ90T KU06-08FJ90T KU08-06FJ90T KU08-08FJ90T KU08-10FJ90T KU10-10FJ90T KU10-12FJ90T KU12-12FJ90T KU12-16FJ90T KU16-16FJ90T KU20-20FJ90T</p>
	<p>37° JIC FEMALE 45° TUBE SWIVEL</p> 	<p>KU04-04FJ45T KU04-05FJ45T KU04-06FJ45T KU06-04FJ45T KU06-06FJ45T KU06-08FJ45T KU08-08FJ45T KU08-10FJ45T KU10-10FJ45T KU10-12FJ45T KU12-12FJ45T KU12-16FJ45T KU16-16FJ45T KU16-20FJ45T</p>
	<p>37° JIC FEMALE 90° TUBE SWIVEL LONG DROP</p> 	<p>KU04-04FJ90TL KU04-06FJ90TL KU06-04FJ90TL KU06-06FJ90TL KU06-08FJ90TL KU08-08FJ90TL KU08-10FJ90TL KU10-10FJ90TL KU12-12FJ90TL KU16-16FJ90TL</p>
	<p>MALE FACE SEAL RIGID</p> 	<p>KU04-04OM KU06-06OM KU08-08OM KU08-10OM KU10-10OM KU10-12OM KU12-12OM KU16-16OM</p>

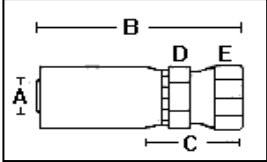
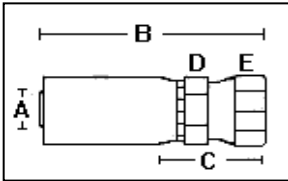
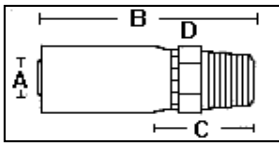
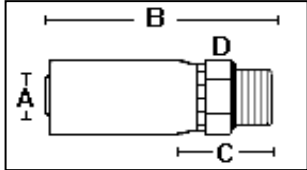
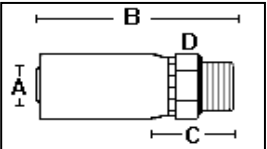
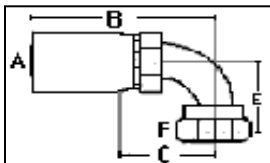
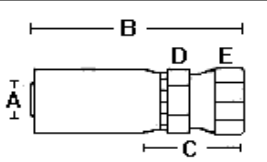
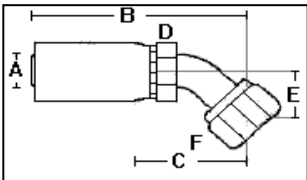
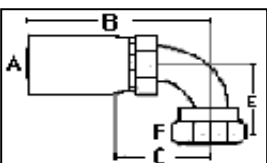
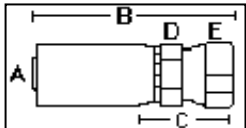
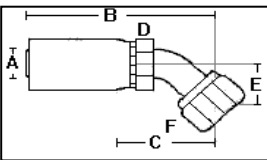
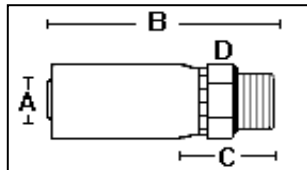
HOSE COUPLINGS

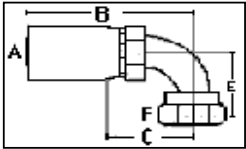
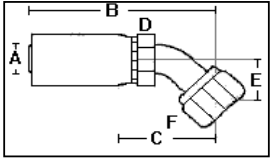
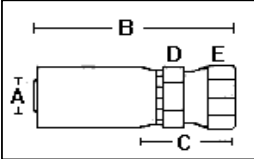
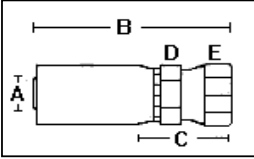
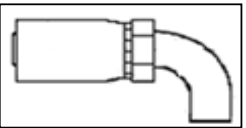
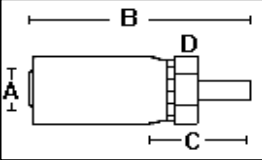
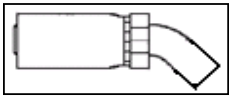
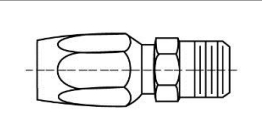
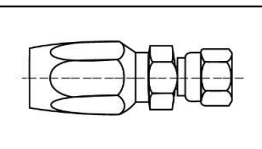
PART NUMBER		PART NUMBER	
O-RING FACE SEAL FEMALE SWIVEL		45° SAE MALE INVERTED FLARE	
	KU04-04OFT KU04-06OFT KU06-06OFT KU06-08OFT KU08-08OFT KU08-10OFT KU08-12OFT KU10-10OFT KU10-12OFT KU12-12OFT KU12-16OFT KU16-16OFT		KU04-03MF KU04-04MF KU04-05MF KU04-06MF KU05-05MF KU06-04MF KU06-05MF KU06-06MF KU06-07MF KU06-08MF KU08-08MF
O-RING FACE SEAL FEMALE 90° TUBE SWIVEL		45° SAE MALE INVERTED FLARE 45°	
	KU04-04OF90T KU04-06OF90T KU06-06OF90T KU06-08OF90T KU08-08OF90T KU08-10OF90T KU10-10OF90T KU10-12OF90T KU12-12OF90T KU12-16OF90T KU16-16OF90T		KU04-03MF45T KU04-04MF45T KU04-05MF45T KU04-06MF45T KU05-05MF45T KU05-06MF45T KU06-05MF45T KU06-06MF45T KU06-07MF45T KU06-08MF45T KU08-08MF45T
O-RING FACE SEAL FEMALE 45° TUBE SWIVEL		45° SAE MALE INVERTED FLARE 90°	
	KU04-04OF45T KU04-06OF45T KU06-06OF45T KU06-08OF45T KU08-08OF45T KU08-10OF45T KU10-10OF45T KU10-12OF45T KU12-12OF45T KU16-16OF45T		KU04-03MF90T KU04-04MF90T KU04-05MF90T KU04-06MF90T KU05-05MF90T KU05-06MF90T KU06-05MF90T KU06-06MF90T KU06-07MF90T KU06-08MF90T KU08-08MF90T
O-RING FACE SEAL FEMALE 90° SWIVEL LONG DROP		FLARELESS COMPRESSION SAE J514	
	KU04-04OF90TL KU06-06OF90TL KU08-08OF90TL KU10-10OF90TL KU12-12OF90TL KU16-16OF90TL		KU04-04MM KU04-05MM KU06-05MM KU06-06MM KU06-08MM KU08-08MM KU08-10MM KU12-12MM KU16-16MM

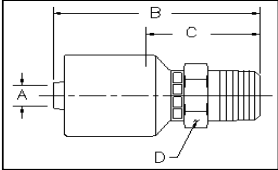
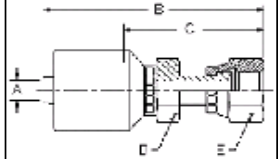
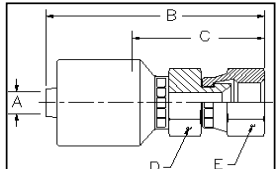
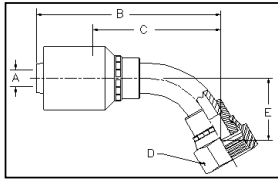
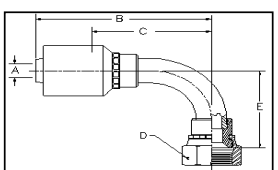
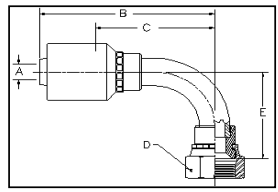
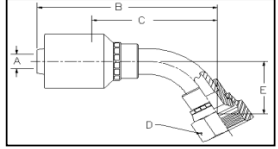
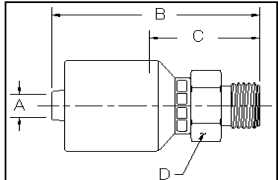
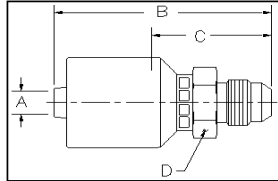
HOSE COUPLINGS

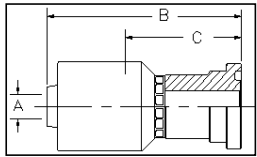
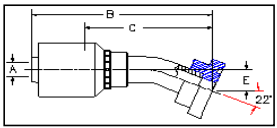
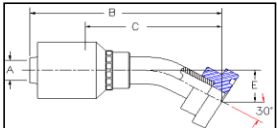
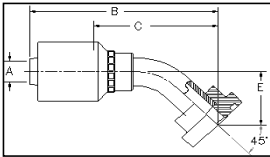
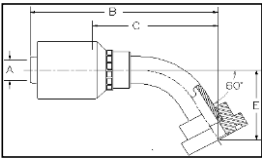
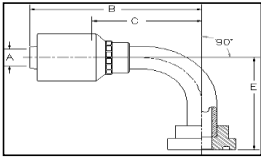
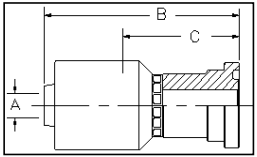
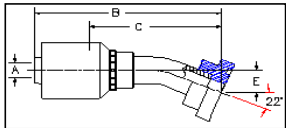
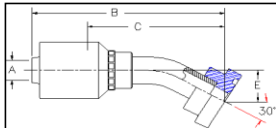
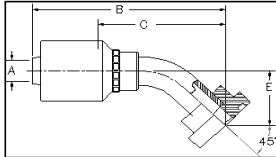
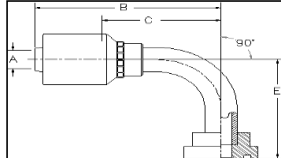
PART NUMBER		PART NUMBER	
KARCHER PRESSURE WASH FEMALE SWIVEL		CODE 61 FLANGE RIGID	
	KAR-04-22 KAR-06-22		KU08-08PA KU08-12PA KU12-12PA KU12-16PA KU16-16PA KU16-20PA
45 SAE FEMALE SWIVEL		STAND TUBE RIGID	
	KU04-06NS KU06-06NS KU12-12NS		KU04-04RL KU04-05RL KU04-06RL KU06-06RL KU06-08RL KU08-08RL KU08-10RL KU12-12RL KU16-16RL
45 SAE MALE RIGID		FEMALE WELD FITTING RIGID	
	MS-06-06 MS-12-12		FW-04-04 FW-04-05 FW-04-06 FW-06-06 FW-06-08 FW-08-08 FW-12-12 FW-16-16
45° SAE FEMALE 90° TUBE SWIVEL		SHELL ONLY	
	KU06-06NS90T KU12-12NS90T		KU04-81 KU06-81 KU08-81 KU10-81 KU12-81 KU16-81
45° SAE FEMALE 45° TUBE SWIVEL		FEMALE GREASE TAP RIGID	
	KU06-06NS45T KU12-12NS45T		KU04-08NV KU06-08NV
CODE 61 FLANGE RIGID		HOSE X HOSE MENDER RIGID	
	KU08-08PA90 KU08-12PA90 KU12-12PA90 KU12-16PA90 KU16-16PA90 KU20-20PA90 KU08-08PA45 KU12-12PA45		KU06-06RM KU08-08RM
Also available in 45 degree			

HOSE COUPLINGS

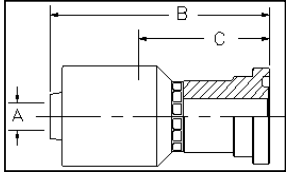
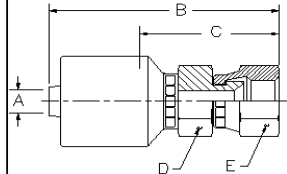
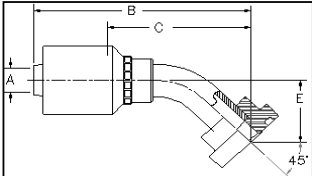
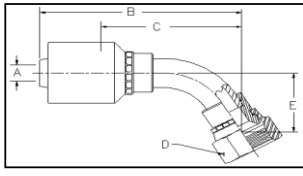
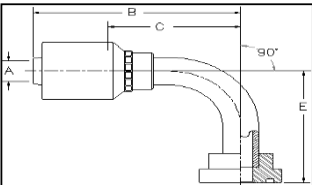
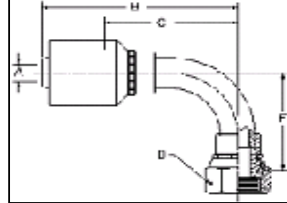
PART NUMBER		PART NUMBER	
BRITISH STANDARD PIPE 60° CONE FEMALE SWIVEL		DIN LIGHT UNIVERSAL SEAT FEMALE SWIVEL	
	KU04-04BPF KU06-06BPF KU06-08BPF KU08-08BPF KU10-10BPF KU12-12BPF KU16-16BPF		KU04-08RU14A KU06-12RU18A KU08-15RU22A KU12-22RU30B KU16-28RU36B
BRITISH STANDARD PIPE 60° CONE MALE RIGID		DIN LIGHT UNIVERSAL SEAT RIGID MALE	
	M-BSPT-04-04 M-BSPT-06-06 M-BSPT-08-08 M-BSPT-12-12 M-BSPT-16-16		KU04-08MZ14A KU04-10MZ16A KU06-12MZ18A KU08-15MZ22A KU10-18MZ26A KU12-22MZ30B KU16-28MZ36B
BRITISH PARALLEL PIPE 60° CONE MALE RIGID		DIN LIGHT UNIVERSAL SEAT 90° TUBE FEMALE SWIVEL	
	M-BSPP-04-04 M-BSPP-06-06 M-BSPP-08-08		KU04-08RU16A90T KU06-12RU18A90T KU08-15RU22A90T KU10-18RU26A90T F-DINLX90-12-30 F-DINLX90-16-36
BRITISH FLAT FACE SEAT FEMALE SWIVEL		DIN LIGHT UNIVERSAL SEAT 45° TUBE FEMALE SWIVEL	
	F-BFPX-06-06 F-BFPX-06-08 F-BFPX-08-08		KU04-08RU16A45T KU06-12RU18A45T KU08-15RU22A45T KU10-18RU26A45T KU12-22RU30B45T KU16-28RU36B45T
BRITISH STANDARD PIPE 60° CONE 90° TUBE FEMALE SWIVEL		DIN HEAVY UNIVERSAL SEAT FEMALE SWIVEL	
	KU04-04BPF90T KU06-06BPF90T KU08-08BPF90T KU10-10BPF90T KU12-12BPF90T KU16-16BPF90T		KU04-08RU16A KU06-16RU22A F-DINHX-08-24 F-DINHX-10-30 F-DINHX-12-36 F-DINHX-16-42
BRITISH STANDARD PIPE 60° CONE 45° TUBE FEMALE SWIVEL		DIN HEAVY UNIVERSAL SEAT RIGID MALE	
	KU04-04BPF45T KU06-06BPF45T KU08-08BPF45T KU10-10BPF45T KU12-12BPF45T KU16-16BPF45T		KU04-10MZ18A KU06-14MZ22A KU08-16MZ24A KU10-20MZ30B KU12-25MZ36B KU16-30MZ42B

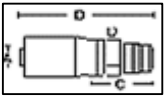
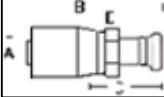
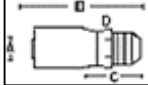
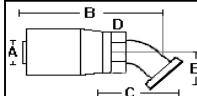
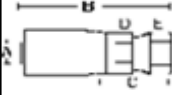
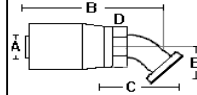
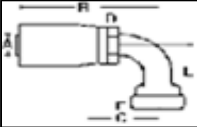
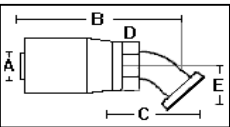
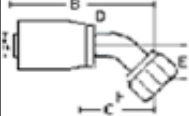
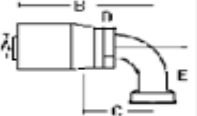
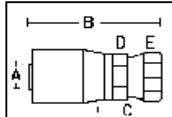
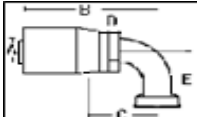
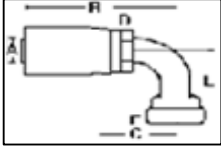
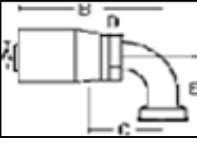
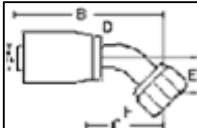
HOSE COUPLINGS	
PART NUMBER	PART NUMBER
<p>DIN HEAVY UNIVERSAL SEAT 90° TUBE FEMALE SWIVEL</p> 	<p>KU04-10RU16A90T KU06-14RU22A90T KU08-16RU24A90T KU10-20RU30A90T KU12-25RU36B90T KU16-30RU42B90T</p>
<p>DIN HEAVY UNIVERSAL SEAT 45° TUBE FEMALE SWIVEL</p> 	<p>F-DINHX45-04-16 F-DINHX45-06-22 F-DINHX45-08-24 F-DINHX45-10-30 F-DINHX45-12-36 F-DINHX45-16-42</p>
<p>JIS 30° SEAT FEMALE SWIVEL</p> 	<p>KU04-04JPF KU06-06JPF KU08-08JPF KU12-12JPF KU16-16JPF</p>
<p>KOMATSU JIS 30° SEAT FEMALE SWIVEL</p> 	<p>KU04-14KMF KU06-18KMF KU08-22KMF KU10-24KMF KU12-30KMF KU16-33KMF</p>
<p>METRIC STANDPIPES 90° TUBE</p>	
	<p>KU04-06RZ90LS KU04-08RZ90LS KU04-10RZ90LS KU05-10RZ90LS KU05-12RZ90LS KU06-10RZ90LS KU06-12RZ90LS KU06-14RZ90LS KU08-15RZ90LS KU08-16RZ90LS KU08-18RZ90LS KU10-18RZ90LS KU10-20RZ90LS KU12-20RZ90LS KU12-22RZ90LS KU12-25RZ90LS KU16-25RZ90LS KU16-28RZ90LS KU16-30RK90LS</p>
<p>METRIC STANDPIPES STRAIGHT</p>	
	
<p>METRIC STANDPIPES 45° TUBE</p>	
	
<p>MALE PIPE NPTF REUSABLE</p>	
	<p>MP-04-04 R2 R MP-06-06 R2 R MP-06-08 R2 R MP-08-08 R2 R MP-12-12 R2 R MP-16-16 R2 R</p>
<p>37° JIC FEMALE REUSABLE</p>	
	<p>FJX-04-04 R2 R FJX-06-06 R2 R FJX-06-08 R2 R FJX-08-08 R2 R FJX-12-12 R2 R FJX-16-16 R2 R</p>

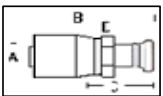

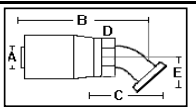

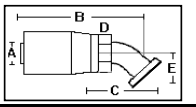
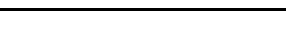
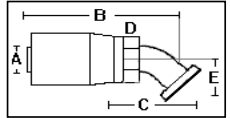

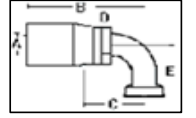

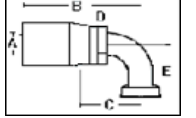

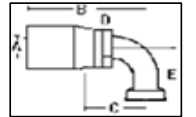

HOSE COUPLINGS			
	PART NUMBER		PART NUMBER
MALE PIPE NPTF RIGID		O-RING FACE SEAL FEMALE SWIVEL	
	KW04-04MP KW06-04MP KW08-06MP KW08-08MP KW10-08MP KW12-12MP KW12-16MP KW16-12MP KW16-16MP KW16-20MP KW20-20MP KW20-24MP KW24-24MP KW32-32MP		KW04-06OFT KW06-06OFT KW08-08OFT KW08-10OFT KW10-10OFT KW12-12OFT KW12-16OFT KW16-16OFT KW16-20OFT KW20-20OFT KW24-24OFT
37° JIC FEMALE SWIVEL		O-RING FACE SEAL 45° FEMALE SWIVEL	
	KW04-06FJ KW06-06FJ KW06-08FJ KW08-08FJ KW08-10FJ KW10-10FJ KW12-12FJ KW12-14FJ KW12-16FJ KW16-12FJ KW16-16FJ KW16-20FJ KW20-20FJ KW20-24FJ KW24-24FJ KW32-32FJ		KW06-06OF45T KW08-08OF45T KW10-10OF45T KW12-12OF45T KW12-16OF45T KW16-16OF45T KW16-20OF45T KW20-20OF45T KW20-24OF45T KW24-24OF45T
37° JIC FEMALE 90° SWIVEL		O-RING FACE SEAL 90° FEMALE SWIVEL	
	KW06-06FJ90T KW08-08FJ90T KW08-10FJ90T KW12-12FJ90T KW12-16FJ90T KW16-16FJ90T KW16-20FJ90T KW20-20FJ90T KW20-24FJ90T KW24-24FJ90T KW32-32FJ90T		KW04-06OF90T KW06-06OF90T KW08-08OF90T KW08-10OF90T KW10-10OF90T KW12-12OF90T KW12-16OF90T KW16-16OF90T KW16-20OF90T KW20-20OF90T KW20-24OF90T KW24-24OF90T
37° JIC FEMALE 45° SWIVEL		MALE BOSS O-RING RIGID	
	KW06-06FJ45T KW06-08FJ45T KW08-08FJ45T KW08-10FJ45T KW12-12FJ45T KW12-16FJ45T KW16-16FJ45T KW16-20FJ45T KW20-20FJ45T KW20-24FJ45T KW24-24FJ45T KW32-32FJ45T		KW06-06RA KW08-08RA KW08-12RA KW10-10RA KW12-12RA KW16-16RA KW16-20RA KW20-20RA
		37° JIC MALE RIGID	
			KW06-06MJ KW08-08MJ KW08-10MJ KW12-12MJ KW12-16MJ KW16-16MJ KW16-20MJ KW20-20MJ KW20-24MJ KW24-24MJ KW32-32MJ

HOSE COUPLINGS	
PART NUMBER	PART NUMBER
CODE 61 FLANGE RIGID 	KW08-08PA KW12-12PA KW12-16PA KW16-16PA KW16-20PA KW20-20PA KW20-24PA KW24-24PA KW32-32PA
CODE 61 FLANGE 22° RIGID 	KW12-12PA22 KW12-16PA22 KW16-16PA22 KW16-20PA22 KW20-20PA22 KW20-24PA22 KW24-24PA22 KW32-32PA22
CODE 61 FLANGE 30° RIGID 	KW12-12PA30 KW12-16PA30 KW16-16PA30 KW16-20PA30 KW20-20PA30 KW20-24PA30 KW24-24PA30 KW32-32PA30
CODE 61 FLANGE 45° RIGID 	KW12-12PA45 KW12-16PA45 KW16-16PA45 KW16-20PA45 KW20-20PA45 KW20-24PA45 KW24-24PA45 KW24-32PA45 KW32-32PA45
CODE 61 FLANGE 60° RIGID 	KW12-12PA60 KW12-16PA60 KW16-16PA60 KW16-20PA60 KW20-20PA60 KW20-24PA60 KW24-24PA60 KW32-32PA60
CODE 61 FLANGE 90° RIGID 	KW08-12PA90 KW12-12PA90 KW12-16PA90 KW16-16PA90 KW16-20PA90 KW20-20PA90 KW20-24PA90 KW24-24PA90 KW32-32PA90
CODE 62 FLANGE RIGID 	KW12-12PH KW12-16PH KW16-16PH KW16-20PH KW20-20PH KW20-24PH KW24-24PH KW32-32PH
CODE 62 FLANGE 22° RIGID 	KW12-12PH22 KW12-16PH22 KW16-16PH22 KW16-20PH22 KW20-20PH22 KW20-24PH22 KW24-24PH22 KW32-32PH22
CODE 62 FLANGE 30° RIGID 	KW12-12PH30 KW12-16PH30 KW16-16PH30 KW16-20PH30 KW20-20PH30 KW20-24PH30 KW24-24PH30 KW24-32PH30 KW32-32PH30
CODE 62 FLANGE 45° RIGID 	KW12-12PH45 KW12-16PH45 KW16-16PH45 KW16-20PH45 KW20-20PH45 KW20-24PH45 KW24-24PH45 KW24-32PH45 KW32-32PH45
CODE 62 FLANGE 90° RIGID 	KW12-12PH90 KW12-16PH90 KW16-16PH90 KW16-20PH90 KW20-20PH90 KW20-24PH90 KW24-24PH90 KW32-32PH90

HOSE COUPLINGS

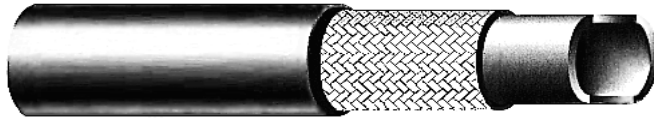
PART NUMBER		PART NUMBER	
CAT FLANGE RIGID		BRITISH STANDARD PIPE 60° CONE FEMALE SWIVEL	
	CAT-08-08 W CAT-12-12 W CAT-12-16 W CAT-16-16 W CAT-16-20 W CAT-20-20 W CAT-20-24 W CAT-24-24 W CAT-32-32 W		F-BSPX-04-04 W F-BSPX-06-06 W F-BSPX-06-08 W F-BSPX-08-08 W F-BSPX-08-10 W F-BSPX-10-10 W F-BSPX-12-12 W F-BSPX-16-16 W F-BSPX-20-20 W
CAT FLANGE 45° RIGID		BRITISH STANDARD PIPE 60° CONE 45° TUBE FEMALE SWIVEL	
	CAT45-12-12 W CAT45-12-16 W CAT45-16-16 W CAT45-16-20 W CAT45-20-20 W CAT45-20-24 W CAT45-24-24 W CAT45-32-32 W		F-BSPX45-04-04 W F-BSPX45-06-06 W F-BSPX45-08-08 W F-BSPX45-10-10 W F-BSPX45-12-12 W F-BSPX45-16-16 W
CAT FLANGE 90° RIGID		BRITISH STANDARD PIPE 60° CONE 90° TUBE FEMALE SWIVEL	
	CAT90-12-12 W CAT90-12-16 W CAT90-16-16 W CAT90-16-20 W CAT90-20-20 W CAT90-20-24 W CAT90-24-24 W CAT90-32-32 W		F-BSPX90-04-04 W F-BSPX90-06-06 W F-BSPX90-08-08 W F-BSPX90-10-10 W F-BSPX90-12-12 W F-BSPX90-16-16 W

HOSE COUPLINGS	
PART NUMBER	PART NUMBER
MALE PIPE RIGID	CODE 61 FLANGE RIGID
 JJ20-20MP JJ24-24MP JJ32-32MP	 JJ20-20PA JJ24-24PA JJ24-32PA JJ32-32PA
37° JIC MALE RIGID	CODE 61 FLANGE 22° BEND RIGID
 JJ20-20MJ JJ24-24MJ JJ32-32MJ	 JJ20-20PA22 JJ24-24PA22 JJ24-32PA22 JJ32-32PA22
37° JIC FEMALE SWIVEL	CODE 61 FLANGE 30° BEND RIGID
 JJ20-20FJ JJ24-24FJ JJ32-32FJ	 JJ20-20PA30 JJ24-24PA30 JJ24-32PA30 JJ32-32PA30
37° JIC FEMALE 90° SWIVEL	CODE 61 FLANGE 45° BEND RIGID
 JJ20-20FJ90T JJ24-24FJ90T JJ32-32FJ90T	 JJ20-20PA45 JJ24-24PA45 JJ24-32PA45 JJ32-32PA45
37° JIC FEMALE 45° SWIVEL	CODE 61 FLANGE 60° BEND RIGID
 JJ20-20FJ45T JJ24-24FJ45T JJ32-32FJ45T	 JJ20-20PA60 JJ24-24PA60 JJ24-32PA60 JJ32-32PA60
O-RING FACE SEAL FEMALE SWIVEL	CODE 61 FLANGE 67° BEND RIGID
 JJ20-20OFT JJ24-24OFT	 JJ20-20PA67 JJ24-24PA67 JJ24-32PA67 JJ32-32PA67
O-RING FACE SEAL 90° FEMALE SWIVEL	CODE 61 FLANGE 90° BEND RIGID
 JJ20-20OF90T JJ24-24OF90T	 JJ20-20PA90 JJ24-24PA90 JJ24-32PA90 JJ32-32PA90
O-RING FACE SEAL 90° FEMALE SWIVEL	
 JJ20-20OF45T JJ24-24OF45T	

HOSE COUPLINGS	
PART NUMBER	PART NUMBER
CODE 62 FLANGE RIGID 	NYLON SLEEVING 
JJ20-20PH JJ24-24PH JJ24-32PH JJ32-32PH	NGB-0106 NGB-0121 NGB-0128 NGB-0201 NGB-0218 NGB-0226 NGB-0310 NGB-0402 NGB-0418 NGB-0526
CODE 62 FLANGE 22° BEND RIGID 	SPRINGS FOR JACK HOSE 
JJ20-20PH22 JJ24-24PH22 JJ24-32PH22 JJ32-32PH22	HJK04-95 HJK06-95
CODE 62 FLANGE 30° BEND RIGID 	TAG FOR JACK HOSE 
JJ20-20PH30 JJ24-24PH30 JJ24-32PH30 JJ32-32PH30	HJK-TAG
CODE 62 FLANGE 45° BEND RIGID 	FLANGE KITS 
JJ20-20PH45 JJ24-24PH45 JJ24-32PH45 JJ32-32PH45	C61-08 KIT C61-12 KIT C61-16 KIT C61-20 KIT C61-24 KIT C61-32 KIT C62-08 KIT C62-12 KIT C62-16 KIT C62-20 KIT C62-24 KIT C62-32 KIT
CODE 62 FLANGE 60° BEND RIGID 	CAT FLANGE HALVES 
JJ20-20PH60 JJ24-24PH60 JJ24-32PH60 JJ32-32PH60	CAT-12 H CAT-12 H CAT-12 H CAT-12 H CAT-12 H
CODE 62 FLANGE 67° BEND RIGID 	O-RINGS 
JJ20-20PH67 JJ24-24PH67 JJ24-32PH67 JJ32-32PH67	BOSS-O-02 BOSS-O-03 BOSS-O-04 BOSS-O-05 BOSS-O-06 BOSS-O-08 BOSS-O-10 BOSS-O-12 BOSS-O-14 BOSS-O-16 BOSS-O-20 BOSS-O-24 C61-2-O-08 C61-2-O-12 C61-2-O-16 C61-2-O-20 C61-2-O-24 C61-2-O-32
CODE 62 FLANGE 90° BEND RIGID 	
JJ20-20PH90 JJ24-24PH90 JJ24-32PH90 JJ32-32PH90	
O-RINGS 	
ORFS-O-04 ORFS-O-06 ORFS-O-08 ORFS-O-10 ORFS-O-12 ORFS-O-16 ORFS-O-20 ORFS-O-24	

AIR CONDITIONER HOSE ASSEMBLIES

REFRIGERANT BEADLOCK HOSE



Recommended for: R12 and R134A, refrigerant systems

Tube: Black, oil resistant, Nitrile (BTR) with nylon barrier

Reinforcement: One textile braid

Cover: Black, oil and abrasion EPDM

Temperature range: -22° F to +257°F

Skiving required: No

Hose size: 06-08-10-12

CPF makes rubber AC assemblies for truck, tractor, combine, skid loader, and autos. CPF can fabricate your assemblies in 10-25 minutes depending on size and length. Some OEM fittings we cannot supply for your hoses.



REUSABLE COUPLINGS FOR 100R1 HOSE



Recommended for: Medium pressure hydraulic oil lines.

Meets or exceeds requirements of SAE 100R1 AT.

Tube: Black, oil resistant, nitrile (BTR)


Reinforcement: One braid of higher tensile steel wire.

Cover: Black, oil and abrasion resistant neoprene.

Temperature range: -40°F to +212°F

Skiving Required: No

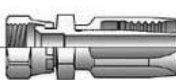
Part #	I.D.	WORKING PRESSURE
R1-04	1/4"	3265
R1-06	3/8"	2610
R1-08	1/2"	2320
R1-12	3/4"	1525
R1-16	1"	1275



**MALE
JIC 37°**

Part #

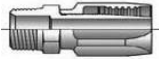
BL04-04MJ
BL06-06MJ
BL08-08MJ



**FEMALE
JIC 37°
SWIVEL**

Part #

BL04-04FJ
BL04-06FJ
BL06-06FJ
BL06-08FJ
BL08-08FJ
BL12-12FJ
BL16-16FJ

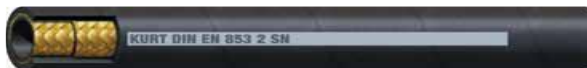


**MALE
PIPE**

Part #

BL04-04MP
BL06-06MP
BL08-08MP
BL12-12MP

REUSABLE COUPLINGS FOR 100R2 HOSE



Recommended for: High pressure oil lines.

Meets or exceeds requirements of SAE 100R2 AT.

Tube: Black, oil resistant, nitrile (BTR)

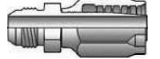
Reinforcement: Two braid of higher tensile steel wire.

Cover: Black, oil and abrasion resistant neoprene.

Temperature range: -40°F to +212°F

Skiving Required: No


Part #	I.D.	WORKING PRESSURE
R2-04	1/4"	5800
R2-06	3/8"	4785
R2-08	1/2"	3990
R2-12	3/4"	3120
R2-16	1"	2395



**MALE
JIC SOLID**

Part #


BM04-04MJ
BM06-06MJ
BM08-08MJ



**FEMALE
JIC
SWIVEL
SOLID**

Part #

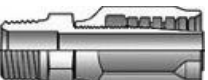
BM06-08NC
BM08-10NC
BM16-16NC



**FEMALE
JIC
SWIVEL**

Part #

BM04-04FJ
BM04-06FJ
BM06-08FJ
BM08-08FJ
BM08-10FJ
BM12-12FJ
BM16-16FJ



**MALE
PIPE
SOLID**

Part #









BM04-04MP
BM06-06MP
BM08-08MP
BM12-12MP
BM16-16MP

REUSABLE COUPLINGS FOR 100R5 HOSE



Recommended for: Medium pressure hydraulic oil lines, other air, water, and oil service.
 Meets or exceeds requirements of SAE 100R5
Tube: Black synthetic rubber
Reinforcement: Textile inner braid and a braid of higher tensile steel wire.
Cover: Black, oil resistant textile braid.
Temperature range: -40°F to +250°F (intermittent 300°F)
Skiving Required: No

Part #	I.D.	MAX WORKING PRESSURE
Y904	3/16"	3000
Y905	1/4"	3000
Y906	5/16"	2250
Y908	13/22"	2000
Y910	1/2"	1750
Y912	5/8"	1500
Y916	7/8"	800
Y920	1 1/8"	625
Y924	1 3/8"	500
Y932	1 13/16"	350




 <p>MALE JIC</p> <p>Part #</p> <p>BN04-04MJ BN05-05MJ BN06-06MJ BN08-08MJ BN10-10MJ BN12-12MJ BN16-16MJ</p>	 <p>SAE 45° SWIVEL</p> <p>Part #</p> <p>BN06-06FA BN12-12FA</p>	 <p>FEMALE JIC 90° SWIVEL</p> <p>Part #</p> <p>BN04-04FJ90T BN06-06FJ90T BN08-08FJ90T BN10-10FJ90T BN12-12FJ90T BN16-16FJ90T BN20-20FJ90T</p>	 <p>FEMALE 90° LONG JIC SWIVEL</p> <p>Part #</p> <p>BN04-04FJ90TL BN05-05FJ90TL BN06-06FJ90TL BN08-08FJ90TL BN10-10FJ90TL BN12-12FJ90TL BN16-16FJ90TL</p>
 <p>FEMALE JIC 45° SWIVEL</p> <p>Part #</p> <p>BN04-04FJ45T BN05-05FJ45T BN06-06FJ45T BN08-08FJ45T BN10-10FJ45T BN12-12FJ45T BN16-16FJ45T BN20-20FJ45T</p>	 <p>FEMALE SWIVEL</p> <p>Part #</p> <p>BN04-04FJ BN05-05FJ BN06-06FJ BN08-08FJ BN10-10FJ BN12-12FJ BN16-16FJ BN20-20FJ BN24-24FJ BN32-32FJ</p>	 <p>MALE PIPE</p> <p>Part #</p> <p>BN04-04MP BN06-06MP BN08-08MP BN10-08MP BN12-12MP BN16-16MP BN20-20MP BN24-24MP BN32-32MP</p>	 <p>STYLE NP 30° PTT SWIVEL FEMALE</p> <p>Part #</p> <p>BC16-16NP</p>

REUSABLE COUPLINGS FOR 100R7 HOSE



Recommended for: Medium pressure hydraulic service where field attachable hydraulic circuit exposure and contact with high voltage may be encountered.
 Meets or exceeds requirements of SAE 100R7
Tube: Polyester
Reinforcement: Fiber
Cover: Orange proprietary blend.
Temperature range: -40°F to +212°F
Skiving Required: No

Part #	I.D.	MAX WORKING PRESSURE
518C-2	1/8"	2500
518C-3	3/16"	3000
518C-4	1/4"	2750
518C-5	5/16"	2500
518C-6	3/8"	2250
518C-8	1/2"	2250
518C-12	3/4"	1250
518C-16	1"	1000
















 <p>MALE PIPE</p> <p>Part #</p> <p>BG03-04MB BG04-04MB BG05-06MB BG06-06MB BG08-08MB</p>	 <p>FEMALE SWIVEL</p> <p>Part #</p> <p>BG03-04FJ BG04-04FJ BG04-06FJ BG05-06FJ BG06-06FJ</p>	<p>FEMALE SWIVEL CONTINUED</p> <p>Part #</p> <p>BG06-08FJ BG08-08FJ</p>	 <p>MALE JIC 37°</p> <p>Part #</p> <p>BG06-06MJ BG08-08MJ BG08-10MJ</p>
--	--	--	---

PERMANENT COUPLINGS FOR 100R7 HOSE



Recommended for: Medium pressure hydraulic service where field attachable hydraulic circuit exposure and contact with high voltage may be encountered.
 Meets or exceeds requirements of SAE 100R7
Tube: Polyester
Reinforcement: Fiber
Cover: Orange proprietary blend.
Temperature range: -40°F to +212°F
Skiving Required: No

Part #	I.D.	MAX WORKING PRESSURE
518C-2	1/8"	2500
518C-3	3/16"	3250
518C-4	1/4"	3000
518C-5	5/16"	2500
518C-6	3/8"	2250
518C-8	1/2"	2250
518C-12	3/4"	1250
518C-16	1"	1000

 MALE PIPE Part # 10155-4-4 10155-4-6 10155-6-4 10155-6-6 10155-6-8 10155-8-6 10155-8-8 10155-12-12 10155-16-16	 FEMALE SWIVEL CONTINUED Part # 10656-4-4 10655-6-4 10655-6-5 10656-6-6 10655-8-6 10656-8-8 10655-10-8 10655-12-12 10655-16-16	 MALE JIC 37° CONTINUED Part # 10355-8-6 10355-8-8 10355-10-8 10355-12-12 10355-16-16	 FEMALE 45° FLAT FACE Part # 1J755-4-4 1J755-6-6 1J755-8-8
 FEMALE JIC 45° SWIVEL Part # 13755-4-4 13755-6-6 13755-8-8 13755-10-8 13755-12-12	 FEMALE JIC 90° SWIVEL Part # 13955-4-4 13955-6-6 13955-8-8 13955-12-12 13955-16-16	 MALE ORING Part # 10555-4-3 10555-5-5 10555-6-6 10555-10-8	 FEMALE BSP SWIVEL Part # 1GU55-6-6
 FEMALE PIPE Part # 10255-4-4	 MALE JIC 37° Part # 10355-4-3 10355-4-4 10355-6-4 10355-6-5 10355-6-6	 FEMALE FLAT FACE Part # 1JC55-4-4 1JC55-6-4 1JC55-6-5 1JC55-6-6 1JC55-8-6 1JC55-8-8 1JC55-10-8	 FEMALE JIS SWIVEL Part # 1FU55-6-6
 FEMALE SWIVEL Part # 10655-4-3			 FEMALE 90° FLAT FACE Part # 1J955-4-4 1J955-6-4 1J955-6-5 1J955-6-6 1J955-8-6 1J955-8-8
			 FEMALE BSP 90° SWIVEL Part # 1B255-6-6

THERMOPLASTIC HOSE

100R7 Hydraulic Hose (Non-Conductive)



Recommended for: Medium pressure hydraulic oil lines to non-conductive standards

Tube: Nylon

Reinforcement: Synthetic fiber

Cover: Abrasion, ozone and weather resistant orange urethane

Temperature Range: -40° F to +212° F

<u>Part Number</u>	<u>WP</u>
518C-2	2500
518C-3	3000
518C-4	3000
518C-5	2500
518C-6	2250
518C-8	2000

100R8 Hydraulic Hose (Non-Conductive)



Recommended for: High pressure non-conductive hydraulic oil lines

Tube: Nylon

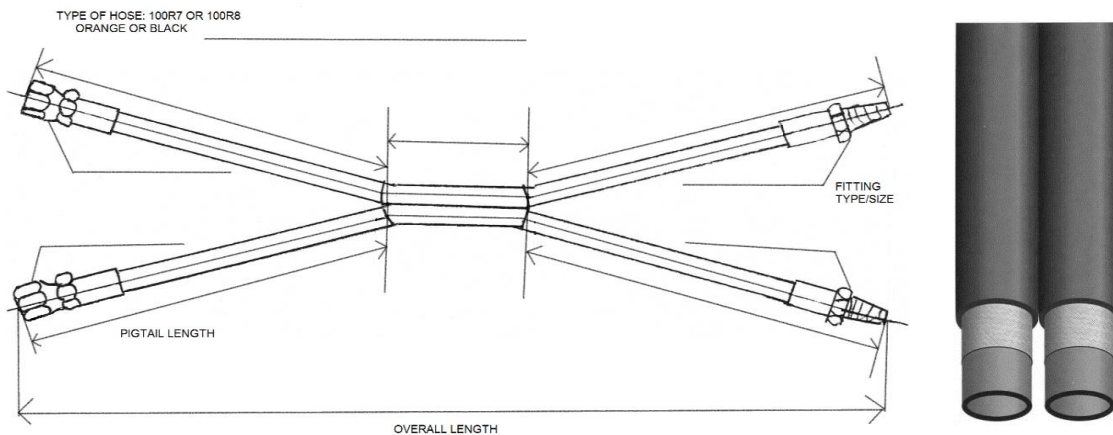
Reinforcement: Two synthetic fiber braids

Cover: Abrasion, ozone and weather resistant orange urethane

Temperature Range: -40° F to +212° F

<u>Part Number</u>	<u>WP</u>
528N-4	5000
528N-6	4000
528N-8	3500

*****WE CAN MAKE TWIN AND QUAD HOSE*****



RED PVC AIR HOSE



TUBE: PVC,smooth, medium oil resistance, RMA Class C

REINFORCEMENT: Synthetic braid

COVER: PVC, smooth black medium oil resistant, RMA Class C

BRANDING: ID XX" (XXmm) logo WP (PSI) 4103 Country of Origin

TEMPERATURE RANGE: -15°F TO +150°F

FEATURES: Oil mist resistant tube, non-marking cover. Ozone, weather and UV resistant.

APPLICATION: General purpose use, including air, water and mild chemical applications.

PART NUMBER	MFG. NUMBER	NOM ID	NOM OD	MAX WP	STD PKG QTY
4RDAH	4103-0025-328	1/4"	0.44	300 PSI	328 FEET
6RDAH	4103-0037-328	3/8"	0.59	300 PSI	328 FEET
8RDAH	4103-0050-328	1/2"	0.75	300 PSI	328 FEET
10RDAH	4103-0062-328	5/8"	0.91	300 PSI	328 FEET
12RDAH	4103-0075-164	3/4"	1.05	215 PSI	164 FEET
16RDAH	4103-0100-164	1"	1.33	170 PSI	164 FEET

HOSE GUARD

NYLON PROTECTIVE HOSE SLEEVE

PART #	NOMINAL I.D. (IN.)	OUTSIDE FLAT (IN.)
NPS-067	0.67	1.18
NPS-091	0.91	1.54
NPS-098	0.98	1.65
NPS-106	1.06	1.77
NPS-114	1.14	1.88
NPS-122	1.22	2.05
NPS-130	1.3	2.17
NPS-154	1.54	2.52
NPS-157	1.57	2.6
NPS-169	1.69	2.8
NPS-173	1.73	2.83
NPS-185	1.85	3.03
NPS-209	2.09	3.39
NPS-217	2.17	3.5
NPS-236	2.36	3.82
NPS-260	2.6	4.21
NPS-287	2.87	4.65
NPS-295	2.95	4.76
NPS-335	3.35	5.35
NPS-366	3.66	5.87



OPEN WOUND CONTINUOUS SPRING GUARD

AVAILABLE IN 10' LENGTHS

PART #	I.D.
1440-95	0.560
1441-95	0.625
1444-95	0.820
1446-95	0.953
1447-95	1.031
1448-95	1.150
1449-95	1.234
1450-95	1.328
1453-95	1.578
1454-95	1.642
1455-95	1.890
1456-95	2.000
1459-95	2.250
1463-95	2.859
1464-95	3.125
1465-95	0.865



FLAT ARMOR CONTINUOUS SPRING GUARD

AVAILABLE IN 25' LENGTHS

PART #	I.D.
1560-95	0.547
1561-95	0.730
1566-95	1.140
1567-95	1.230
1568-95	1.300
1575-95	0.670
1576-95	2.125
1578-95	1.900
1585-95	0.850



PLASTIC GUARD

PART #	O.D.
1704-95	0.38
1706-95	0.50
1708-95	0.63
1710-95	0.84
1712-95	1.06
1714-95	1.34
1722-95	2.60



PVC STRAIN RELIEVERS

- *Molded fit bend restrictors
- *Non-slip grip
- *Easy installation
- *Protects ends from wear
- *6" length



PART #	HOSE I.D.
1804-95	1/4"
1806-95	3/8"
1808-95	1/2"



CLARKSON POWER FLOW INC.



ADAPTER CATALOG

P.O. BOX 411897
KANSAS CITY, MO 64141

2525 BELLEVIEW
KANSAS CITY, MO 64108

PHONE: 816-221-2268
FAX: 816-221-1437

EMAIL: sales@clarksonpowerflow.com

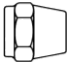
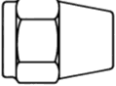


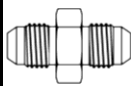

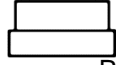
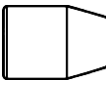
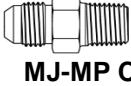
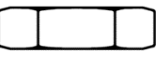

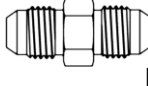
TOLL FREE: 1-800-397-5915

www.clarksonpowerflow.com

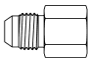
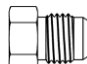

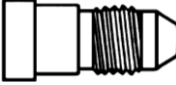
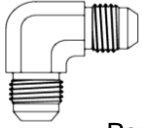

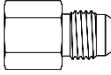
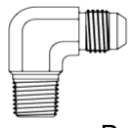
TABLE OF CONTENTS

SECTION	PAGE
STEEL JIC 37 DEGREE FLARE FITTINGS	33-39
STEEL SAE O-RING ADAPTERS	39-40
STEEL PIPE FITTINGS	40-42
STEEL PIPE SWIVEL FITTINGS	43-44
STEEL PIPE SWIVEL FITTINGS - INSTALLATION ONLY	44
STEEL BEADED HOSE FITTINGS	45
SPLIT FLANGE ADAPTERS - CODE 61 & 62	46
SPLIT FLANGES & FLANGE PADS - CODE 61/3000 PSI	46-47
SPLIT FLANGES & FLANGE PADS - CODE 62/6000 PSI	47-48
STEEL O-RING FACE SEAL ADAPTERS	49-51

STEEL JIC 37° FLARE FITTINGS

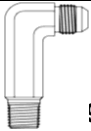
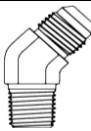
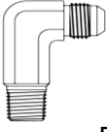
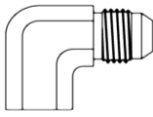
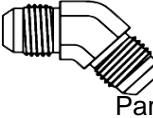
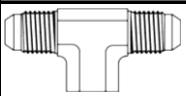
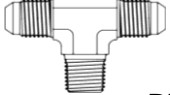
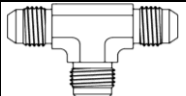
 <p>302 SHORT NUT</p> <p><u>Part #</u> 302-04 302-05 302-06 302-08 302-10 302-12 302-16 302-20 302-24</p>	<p>306 CONTINUED</p> <p><u>Part #</u> 306-14 306-16 306-20 306-24 306-32</p>	<p>403 CONTINUED</p> <p><u>Part #</u> 403-20-20 403-24-20 403-24-24</p>	<p>2403 CONTINUED</p> <p><u>Part #</u> 2403-14-14 2403-16-12 2403-16-16 2403-20-16 2403-20-20 2403-24-24 2403-32-32</p>
 <p>304 IE#841-F LONG NUT</p> <p><u>Part #</u> 304-04 304-05 304-06 304-08 304-10 304-12 304-16 304-20 304-24</p>	 <p>318 IE#841-FS JIC TUBE NUT</p> <p><u>Part #</u> 318-02 318-03 318-04 318-05 318-06 318-08 318-10 318-12 318-14 318-16 318-20 318-24 318-32</p>	 <p>418 "NO FLARE" TUBE NUT</p> <p><u>Part #</u> 418-04 418-05 418-06 418-08 418-10 418-12 418-16 418-20 418-24</p>	 <p>2403-LH MJ-MJ LARGE HEX UNION</p> <p><u>Part #</u> 2403-LH-02 2403-LH-03 2403-LH-04 2403-LH-05 2403-LH-06 2403-LH-08 2403-LH-10 2403-LH-12 2403-LH-14 2403-LH-16 2403-LH-20 2403-LH-24</p>
 <p>304-C IE#830 CAP NUT</p> <p><u>Part #</u> 304-C-02 304-C-03 304-C-04 304-C-05 304-C-06 304-C-08 304-C-10 304-C-12 304-C-14 304-C-16 304-C-20 304-C-24 304-C-32</p>	 <p>319 IE#840 FS</p> <p><u>Part #</u> 319-02 319-03 319-04 319-05 319-06 319-08 319-10 319-12 319-14 319-16 319-20 319-24 319-32</p>	 <p>419 "NO FLARE" TUBE SLEEVE</p> <p><u>Part #</u> 419-04 419-05 419-06 419-08 419-10 419-12 419-16 419-20 419-24</p>	 <p>2404 IE#848-FS MJ-MP CONNECTOR</p> <p><u>Part #</u> 2404-02-02 2404-03-02 2404-04-02 2404-04-04 2404-04-06 2404-04-08 2404-05-02 2404-05-04 2404-05-06 2404-06-02 2404-06-04 2404-06-06 2404-06-08 2404-06-12 2404-08-04 2404-08-06 2404-08-08 2404-08-12 2404-08-16 2404-10-04 2404-10-06 2404-10-08 2404-10-12 2404-10-16 2404-12-06</p>
 <p>306 IE#711-FSO BULKHEAD LOCK NUT</p> <p><u>Part #</u> 306-02 306-03 306-04 306-05 306-06 306-08 306-10 306-12</p>	 <p>403</p> <p><u>Part #</u> 403-04-04 403-06-06 403-08-08 403-10-10 403-12-08 403-12-12 403-14-14 403-16-12 403-16-16 403-16-20 403-20-16</p>	 <p>2403 IE#842-FS MJ-MJ UNION</p> <p><u>Part #</u> 2403-02-02 2403-03-03 2403-04-04 2403-05-04 2403-05-05 2403-06-04 2403-06-05 2403-06-06 2403-08-04 2403-08-06 2403-08-08 2403-10-06 2403-10-08 2403-10-10 2403-12-04 2403-12-06 2403-12-08 2403-12-10 2403-12-12</p>	

STEEL JIC 37° FLARE FITTINGS

<p>2404 CONTINUED</p> <p><u>Part #</u></p> <p>2404-12-08 2404-12-12 2404-12-16 2404-12-20 2404-14-12 2404-16-08 2404-16-12 2404-16-16 2404-16-20 2404-16-24 2404-20-12 2404-20-16 2404-20-20 2404-20-24 2404-24-16 2404-24-20 2404-24-24 2404-24-32 2404-32-16 2404-32-20 2404-32-24 2404-32-32</p>	 <p>2405 IE#846-FS MJ-FP CONNECTOR</p> <p><u>Part #</u></p> <p>2405-02-02 2405-03-02 2405-04-02 2405-04-04 2405-04-06 2405-04-08 2405-05-02 2405-05-04 2405-06-02 2405-06-04 2405-06-06 2405-06-08 2405-08-04 2405-08-06 2405-08-08 2405-10-06 2405-10-08 2405-10-12 2405-12-08 2405-12-12 2405-12-16 2405-14-12 2405-16-12 2405-16-16 2405-16-20 2405-20-20 2405-24-24 2405-32-32</p>	<p>2406 CONTINUED</p> <p><u>Part #</u></p> <p>2406-14-08 2406-14-10 2406-14-12 2406-16-06 2406-16-08 2406-16-10 2406-16-12 2406-16-14 2406-16-20 2406-20-08 2406-20-12 2406-20-16 2406-20-24 2406-24-12 2406-24-16 2406-24-20 2406-32-16 2406-32-20 2406-32-24</p>	 <p>2408 IE#839-FS JIC TUBE PLUG</p> <p><u>Part #</u></p> <p>2408-02 2408-03 2408-04 2408-05 2408-06 2408-08 2408-10 2408-12 2408-14 2408-16 2408-20 2408-24 2408-32</p>
 <p>2404-L IE#848L-FS MJ-MP LONG CONNECTOR</p> <p><u>Part #</u></p> <p>2404-L-04-02 2404-L-04-04 2404-L-05-02 2404-L-06-04 2404-L-06-06 2404-L-08-06 2404-L-08-08 2404-L-12-12 2404-L-16-16 2404-L-20-20</p>	<p>2405-12-16 2405-14-12 2405-16-12 2405-16-16 2405-16-20 2405-20-20 2405-24-24 2405-32-32</p>	 <p>2407 IE#883-FS FJ-MJ REDUCER/EXP</p> <p><u>Part #</u></p> <p>2407-05-04 2407-06-04 2407-06-05 2407-08-04 2407-08-06 2407-10-04 2407-10-06 2407-10-08 2407-12-04 2407-12-06 2407-12-08 2407-12-10 2407-12-16 2407-14-08 2407-16-04 2407-16-06 2407-16-08 2407-16-10 2407-16-12 2407-16-14 2407-20-12 2407-20-16 2407-24-16 2407-24-20 2407-32-24</p>	 <p>2500 IE#855-FS MJ-MJ ELBOW 90°</p> <p><u>Part #</u></p> <p>2500-02-02 2500-03-03 2500-04-04 2500-05-05 2500-06-04 2500-06-06 2500-08-04 2500-08-06 2500-08-08 2500-10-08 2500-10-10 2500-12-08 2500-12-12 2500-14-14 2500-16-12 2500-16-16 2500-20-20 2500-24-24 2500-32-32</p>
 <p>2404-LL IE#848-LLFS MJ-MP X-LONG CONNECTOR</p> <p><u>Part #</u></p> <p>2404-LL-04-04 2404-LL-06-04 2404-LL-06-06 2404-LL-08-06 2404-LL-08-08 2404-LL-12-12 2404-LL-16-16 2404-LL-20-20</p>	 <p>2406 FJ-MJ REDUCER/EXP</p> <p><u>Part #</u></p> <p>2406-05-04 2406-06-04 2406-06-05 2406-06-06 2406-06-08 2406-08-04 2406-08-06 2406-08-10 2406-08-12 2406-10-04 2406-10-06 2406-10-08 2406-10-12 2406-12-04 2406-12-06 2406-12-08 2406-12-10 2406-12-16</p>		 <p>2501 IE#849-FS MJ-MP ELBOW 90°</p> <p><u>Part #</u></p> <p>2501-02-02 2501-03-02 2501-04-02 2501-04-04 2501-04-06 2501-04-08 2501-05-02 2501-05-04</p>

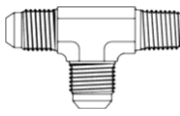
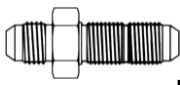

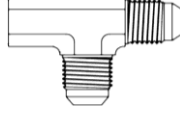
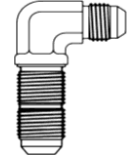
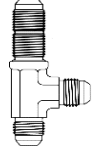
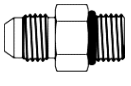

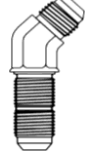
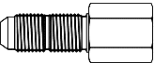
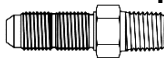
EMAIL: SALES@CLARKSONPOWERFLOW.COM

STEEL JIC 37° FLARE FITTINGS

<p>2501 CONTINUED</p> <p><u>Part #</u></p> <p>2501-06-04 2501-06-06 2501-06-08 2501-06-12 2501-08-04 2501-08-06 2501-08-08 2501-08-12 2501-10-06 2501-10-08 2501-10-12 2501-12-06 2501-12-08 2501-12-12 2501-12-16 2501-14-12 2501-16-12 2501-16-16 2501-16-20 2501-20-16 2501-20-20 2501-20-24 2501-24-20 2501-24-24 2501-24-32 2501-32-32</p>	 <p>2501-LL IE#849LL-FS MJ-MP ELBOW 90° EXTRA LONG</p> <p><u>Part #</u></p> <p>2501-LL-02-02 2501-LL-03-02 2501-LL-04-02 2501-LL-04-04 2501-LL-05-02 2501-LL-05-04 2501-LL-06-04 2501-LL-06-06 2501-LL-06-08 2501-LL-08-06 2501-LL-08-08 2501-LL-10-08 2501-LL-12-12 2501-LL-14-12 2501-LL-16-16 2501-LL-20-20 2501-LL-24-24 2501-LL-32-32</p>	 <p>2503 IE#854-FS MJ-MP ELBOW 45°</p> <p><u>Part #</u></p> <p>2503-02-02 2503-03-02 2503-04-02 2503-04-04 2503-04-06 2503-05-02 2503-05-04 2503-06-02 2503-06-04 2503-06-06 2503-06-08 2503-08-04 2503-08-06 2503-08-08 2503-08-12 2503-10-06 2503-10-08 2503-10-12 2503-12-08 2503-12-12 2503-12-16 2503-14-12 2503-16-12 2503-16-16 2503-16-20 2503-20-20 2503-24-24 2503-32-32</p>	<p>2601 CONTINUED</p> <p><u>Part #</u></p> <p>2601-08-08-06 2601-08-08-08 2601-10-10-08 2601-12-12-08 2601-12-12-12 2601-14-14-12 2601-16-16-12 2601-16-16-16 2601-20-20-20 2601-24-24-24 2601-32-32-32</p>
 <p>2501-L IE#849L-FS MJ-MP ELBOW 90° LONG</p> <p><u>Part #</u></p> <p>2501-L-02-02 2501-L-04-02 2501-L-04-04 2501-L-05-02 2501-L-05-04 2501-L-06-04 2501-L-06-06 2501-L-06-08 2501-L-08-06 2501-L-08-08 2501-L-08-12 2501-L-10-08 2501-L-12-12 2501-L-14-12 2501-L-16-16 2501-L-20-20 2501-L-24-24 2501-L-32-32</p>	 <p>2502 IE#850-FS MJ-FP ELBOW 90°</p> <p><u>Part #</u></p> <p>2502-02-02 2502-03-02 2502-04-02 2502-04-04 2502-04-06 2502-04-08 2502-05-02 2502-05-04 2502-06-02 2502-06-04 2502-06-06 2502-06-08 2502-08-04 2502-08-06 2502-08-08 2502-08-12 2502-10-08 2502-10-12 2502-12-08 2502-12-12 2502-14-12 2502-16-12 2502-16-16 2502-20-20 2502-24-24 2502-32-32</p>	 <p>2504 MJ-MJ ELBOW 45°</p> <p><u>Part #</u></p> <p>2504-04-04 2504-06-06 2504-08-08 2504-10-10 2504-12-12 2504-16-16</p>	 <p>2602 IE#858-FS MJ-MJ-FP BRANCH TEE</p> <p><u>Part #</u></p> <p>2602-02-02-02 2602-04-04-02 2602-04-04-04 2602-05-05-02 2602-05-05-04 2602-06-06-04 2602-06-06-06 2602-08-08-06 2602-08-08-08 2602-10-10-08 2602-12-12-08 2602-12-12-12 2602-14-14-12 2602-16-16-12 2602-16-16-16 2602-20-20-20 2602-24-24-24 2602-32-32-32</p>
		 <p>2601 IE#845-FS MJ-MJ-MP BRANCH TEE</p> <p><u>Part #</u></p> <p>2601-04-04-02 2601-04-04-04 2601-05-05-02 2601-05-05-04 2601-06-06-04 2601-06-06-06</p>	 <p>2603 IE#844-FS MJ-MJ-MJ UNION TEE</p> <p><u>Part #</u></p> <p>2603-03 2603-04 2603-05 2603-06 2603-08 2603-10 2603-12 2603-14 2603-16 2603-20 2603-24 2603-32</p>

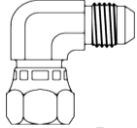
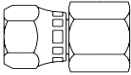
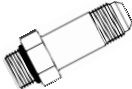
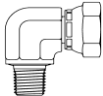
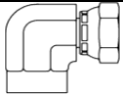
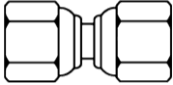
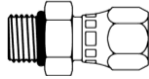
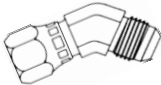
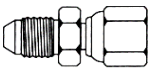
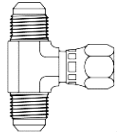
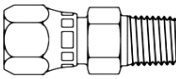
EMAIL: SALES@CLARKSONPOWERFLOW.COM

STEEL JIC 37° FLARE FITTINGS

 <p>2605 IE#851-FS MJ-MP-MJ RUN TEE</p> <p><u>Part #</u> 2605-04-02-04 2605-04-04-04 2605-05-02-05 2605-05-04-05 2605-06-04-06 2605-06-06-06 2605-08-06-08 2605-08-08-08 2605-10-08-10 2605-12-12-12 2605-14-12-14 2605-16-12-16 2605-16-16-16 2605-20-20-20 2605-24-24-24 2605-32-32-32</p>	 <p>2700-LN IE#832-FS MJ-MJ BULKHEAD</p> <p><u>Part #</u> 2700-LN-03-03 2700-LN-04-04 2700-LN-05-05 2700-LN-06-06 2700-LN-08-08 2700-LN-10-10 2700-LN-12-12 2700-LN-14-14 2700-LN-16-16 2700-LN-20-20 2700-LN-24-24 2700-LN-32-32</p>	 <p>2703-LN IE#870-FS MJ-MJ-MJ BULKHEAD BRANCH TEE</p> <p><u>Part #</u> 2703-LN-04 2703-LN-05 2703-LN-06 2703-LN-08 2703-LN-10 2703-LN-12 2703-LN-16 2703-LN-20</p>	<p>2706-LN CONTINUED</p> <p><u>Part #</u> 2706-LN-08-08 2706-LN-10-08 2706-LN-12-12 2706-LN-16-16 2706-LN-20-20 2706-LN-24-24</p>
 <p>2606 IE#857-FS MJ-FP-MJ RUN TEE</p> <p><u>Part #</u> 2606-04-02-04 2606-04-04-04 2606-05-02-05 2606-06-04-06 2606-08-06-08 2606-08-08-08 2606-10-08-10 2606-12-12-12 2606-14-12-14 2606-16-16-16 2606-20-20-20 2606-32-32-32</p>	 <p>2701-LN IE#855BH-FS MJ-MJ BULKHEAD ELBOW 90°</p> <p><u>Part #</u> 2701-LN-04-04 2701-LN-05-05 2701-LN-06-06 2701-LN-08-08 2701-LN-10-10 2701-LN-12-12 2701-LN-14-14 2701-LN-16-16 2701-LN-20-20 2701-LN-24-24 2701-LN-32-32</p>	 <p>2704-LN IE#861BH-FS MJ-MJ-MJ BULKHEAD RUN TEE</p> <p><u>Part #</u> 2704-LN-04 2704-LN-06 2704-LN-08 2704-LN-10 2704-LN-12 2704-LN-16</p>	 <p>6400 IE#848-FSO MJ-MOR CONNECTOR</p> <p><u>Part #</u> 6400-02-02 6400-03-03 6400-04-03 6400-04-04 6400-04-05 6400-04-06 6400-04-08 6400-04-10 6400-04-12 6400-05-04 6400-05-05 6400-05-06 6400-05-08 6400-06-04 6400-06-05 6400-06-06 6400-06-08 6400-06-10 6400-06-12 6400-08-04 6400-08-06 6400-08-08 6400-08-10 6400-08-12 6400-08-14 6400-08-16 6400-10-06 6400-10-08 6400-10-10 6400-10-12 6400-10-14 6400-10-16 6400-12-08 6400-12-10 6400-12-12 6400-12-14 6400-12-16 6400-14-12 6400-14-14 6400-14-16</p>
 <p>2650 IE#852-FS MJ-MJ-MJ-MJ UNION CROSS</p> <p><u>Part #</u> 2650-04 2650-05 2650-06 2650-08 2650-10 2650-12 2650-14 2650-16 2650-20 2650-24 2650-32</p>	 <p>2702-LN IE#854BH-FS MJ-MJ BULKHEAD ELBOW 45°</p> <p><u>Part #</u> 2702-LN-04-04 2702-LN-05-05 2702-LN-06-06 2702-LN-08-08 2702-LN-10-10 2702-LN-12-12 2702-LN-14-14 2702-LN-16-16 2702-LN-20-20 2702-LN-24-24</p>	 <p>2705-LN IE#846BH-FS MJ-FP BULKHEAD</p> <p><u>Part #</u> 2705-LN-04-02 2705-LN-04-04 2705-LN-05-02 2705-LN-06-04 2705-LN-06-06 2705-LN-08-06 2705-LN-08-08 2705-LN-10-08 2705-LN-12-12 2705-LN-12-14 2705-LN-16-16 2705-LN-20-20 2705-LN-24-24</p>	 <p>2706-LN IE#848BH-FS MJ-MP BULKHEAD</p> <p><u>Part #</u> 2706-LN-04-02 2706-LN-04-04 2706-LN-06-04 2706-LN-06-06 2706-LN-08-06</p>
<p>NOTE: ALL BULKHEAD FITTINGS COME WITH LOCK NUT</p>			

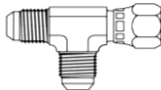
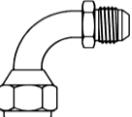
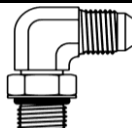
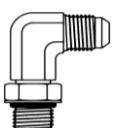
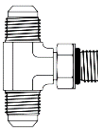
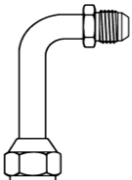

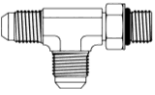
EMAIL: SALES@CLARKSONPOWERFLOW.COM

STEEL JIC 37° FLARE FITTINGS

<p>6400 CONTINUED</p> <p><u>Part #</u></p> <p>6400-16-06 6400-16-08 6400-16-10 6400-16-12 6400-16-14 6400-16-16 6400-16-20 6400-16-24 6400-20-10 6400-20-12 6400-20-16 6400-20-20 6400-20-24 6400-24-16 6400-24-20 6400-24-24 6400-24-32 6400-32-24 6400-32-32</p>	 <p>6500 IE#879-FS MJ-FJX ELBOW 90°</p> <p><u>Part #</u></p> <p>6500-02-02 6500-03-03 6500-04-04 6500-05-05 6500-06-04 6500-06-06 6500-06-08 6500-08-06 6500-08-08 6500-08-10 6500-10-08 6500-10-10 6500-12-10 6500-12-12 6500-12-16 6500-14-14 6500-16-16 6500-20-20 6500-24-24 6500-32-32</p>	<p>6502 CONTINUED</p> <p><u>Part #</u></p> <p>6502-12-12 6502-14-14 6502-16-12 6502-16-16 6502-20-20 6502-24-24 6502-32-32</p>	 <p>6506 IE#882-FS FJX-FP CONNECTOR</p> <p><u>Part #</u></p> <p>6506-04-02 6506-04-04 6506-04-06 6506-06-04 6506-06-06 6506-06-08 6506-08-06 6506-08-08 6506-10-06 6506-10-08 6506-10-12 6506-12-12 6506-14-12 6506-16-16 6506-20-20 6506-24-24 6506-32-32</p>
 <p>6400-L IE#849L-FSO MJ-MOR LONG CONNECTOR</p> <p><u>Part #</u></p> <p>6400-L-03-03 6400-L-04-04 6400-L-05-05 6400-L-06-06 6400-L-08-08 6400-L-10-10 6400-L-12-12 6400-L-14-14 6400-L-16-16 6400-L-20-20 6400-L-24-24 6400-L-32-32</p>	 <p>6501 MP-FJX ELBOW 90°</p> <p><u>Part #</u></p> <p>6501-02-04 6501-04-04 6501-04-06 6501-06-06 6501-06-08 6501-08-06 6501-08-08 6501-08-10 6501-10-08 6501-12-12 6501-12-14 6501-16-16 6501-20-20 6501-24-24 6501-32-32</p>	 <p>6503 FJX-FP ELBOW 90°</p> <p><u>Part #</u></p> <p>6503-04-04 6503-06-04 6503-06-06 6503-08-06 6503-08-08 6503-10-08 6503-12-12</p>	 <p>6508 FJX-FJX UNION</p> <p><u>Part #</u></p> <p>6508-04-04 6508-06-06 6508-08-08 6508-10-10 6508-12-12 6508-16-16 6508-20-20</p>
 <p>6402 MOR-FJX CONNECTOR</p> <p><u>Part #</u></p> <p>6402-04-04 6402-06-06 6402-06-08 6402-08-08 6402-10-10 6402-12-12 6402-16-12 6402-16-16 6402-20-20 6402-24-24</p>	 <p>6502 IE#889-FS MJ-FJX ELBOW 45°</p> <p><u>Part #</u></p> <p>6502-04-04 6502-05-05 6502-06-06 6502-08-08 6502-10-10</p>	 <p>6504 MJ-FJX CONNECTOR</p> <p><u>Part #</u></p> <p>6504-04-04 6504-06-06 6504-08-08 6504-10-10 6504-12-10 6504-12-12 6504-16-16 6504-20-20 6504-24-24</p>	 <p>6600 IE#872-FS MJ-MJ-FJX BRANCH TEE</p> <p><u>Part #</u></p> <p>6600-04-04-04 6600-05-05-05 6600-06-06-06 6600-08-08-08 6600-10-10-10 6600-12-12-12 6600-14-14-14 6600-16-16-16 6600-20-20-20 6600-24-24-24 6600-32-32-32</p>
		 <p>6505 IE#881-FS FJX-MP CONNECTOR</p> <p><u>Part #</u></p> <p>6505-04-02 6505-04-04 6505-05-04 6505-06-04 6505-06-06 6505-08-06 6505-08-08 6505-10-08 6505-10-12 6505-12-08 6505-12-12 6505-16-12 6505-16-16 6505-20-20 6505-24-24</p>	

EMAIL: SALES@CLARKSONPOWERFLOW.COM

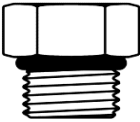
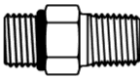

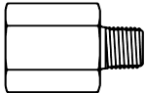
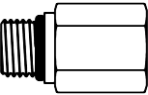
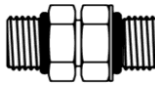
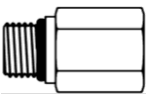
STEEL JIC 37° FLARE FITTINGS

 <p>6602 IE#871-FS MJ-FJX-MJ RUN TEE</p> <p>Part #</p> <p>6602-04-04-04 6602-05-05-05 6602-06-06-06 6602-08-08-08 6602-10-10-10 6602-12-12-12 6602-14-14-14 6602-16-16-16 6602-20-20-20 6602-24-24-24 6602-32-32-32</p>	<p>6702 CONTINUED</p> <p>Part #</p> <p>6702-08-08 6702-10-10 6702-12-12 6702-16-16</p>	<p>6801 CONTINUED</p> <p>Part #</p> <p>6801-20-12 6801-20-16 6801-20-20 6801-20-24 6801-24-16 6801-24-20 6801-24-24 6801-24-32 6801-32-24 6801-32-32</p>	<p>6802 CONTINUED</p> <p>Part #</p> <p>6802-06-06 6802-06-08 6802-08-06 6802-08-08 6802-08-10 6802-08-12 6802-10-08 6802-10-10 6802-10-12 6802-12-08 6802-12-10 6802-12-12 6802-12-16 6802-14-14 6802-16-12 6802-16-16 6802-16-20 6802-20-16 6802-20-20 6802-24-20 6802-24-24</p>
 <p>6701 IE#63UA MJ-FJX BENT TUBE ELBOW 90°</p> <p>Part #</p> <p>6701-04-04 6701-05-05 6701-06-06 6701-08-08 6701-10-10 6701-12-12 6701-16-16 6701-20-20</p>	 <p>6801 IE#849-FSO MJ-MOR ELBOW 90°</p> <p>Part #</p> <p>6801-02-02 6801-03-03 6801-04-02 6801-04-04 6801-04-05 6801-04-06 6801-04-08 6801-05-04 6801-05-05 6801-05-06 6801-05-08 6801-06-04 6801-06-05 6801-06-06 6801-06-08 6801-06-10 6801-06-12 6801-06-16 6801-08-04 6801-08-06 6801-08-08 6801-08-10 6801-08-12 6801-08-16 6801-10-06 6801-10-08 6801-10-10 6801-10-12 6801-12-06 6801-12-08 6801-12-10 6801-12-12 6801-12-14 6801-12-16 6801-12-20 6801-14-12 6801-14-14 6801-16-10 6801-16-12 6801-16-14 6801-16-16 6801-16-20 6801-16-24</p>	 <p>6801-L IE#849L-FSO MJ-MOR ELBOW 90° LONG</p> <p>Part #</p> <p>6801-L-04-04 6801-L-06-06 6801-L-08-08 6801-L-08-10 6801-L-10-10 6801-L-12-12 6801-L-16-16</p>	 <p>6803 IE#845-FSO MJ-MJ-MOR BRANCH TEE</p> <p>Part #</p> <p>6803-04-04-04 6803-05-05-05 6803-06-06-06 6803-06-06-08 6803-08-08-06 6803-08-08-08 6803-08-08-10 6803-10-10-08 6803-10-10-10 6803-12-12-12 6803-14-14-14 6803-16-16-16 6803-20-20-20 6803-24-24-24</p>
 <p>6701-L IE#63UC MJ-FJX BENT TUBE ELBOW 90° LONG</p> <p>Part #</p> <p>6701-L-04-04 6701-L-05-05 6701-L-06-06 6701-L-08-08 6701-L-10-10 6701-L-12-12 6701-L-16-16 6701-L-20-20</p>	<p>6801-LL</p> <p>IE#849LL-FSO MJ-MOR ELBOW 90° EXTRA LONG</p> <p>Part#</p> <p>6801-LL-04-04 6801-LL-04-06 6801-LL-06-06 6801-LL-06-08 6801-LL-06-10 6801-LL-08-08 6801-LL-08-10 6801-LL-10-10 6801-LL-12-12 6801-LL-16-16 6801-LL-20-20</p>	 <p>6802 IE#854-FSO MJ-MOR ELBOW 45°</p> <p>Part #</p> <p>6802-02-02 6802-03-03 6802-04-04 6802-04-06 6802-04-08 6802-05-05 6802-06-04</p>	 <p>6804 IE#851-FSO MJ-MOR-MJ RUN TEE</p> <p>Part #</p> <p>6804-03-03-03 6804-04-04-04 6804-04-06-04 6804-05-05-05 6804-06-04-06 6804-06-06-06 6804-06-08-06</p>

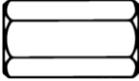
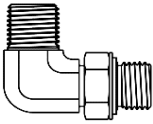
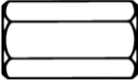
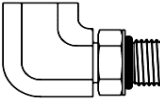
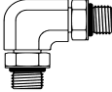

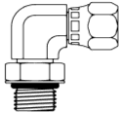
STEEL JIC 37° FLARE FITTINGS

6804 CONTINUED	6804 CONTINUED
Part #	Part #
6804-08-06-08	6804-14-14-14
6804-08-08-08	6804-16-12-16
6804-08-10-08	6804-16-16-16
6804-10-08-10	6804-20-20-20
6804-10-10-10	6804-24-24-24
6804-12-10-12	6804-32-32-32
6804-12-12-12	

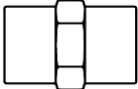

STEEL SAE O-RING ADAPTERS

 <p>6408 IE#721-FSO MOR HEX HEAD PLUG</p> <p>Part #</p> <p>6408-02 6408-03 6408-04 6408-05 6408-06 6408-08 6408-10 6408-12 6408-14 6408-16 6408-20 6408-24 6408-32</p>	 <p>6401 IE#6401 MOR-MP CONNECTOR</p> <p>Part #</p> <p>6401-04-02 6401-04-04 6401-04-06 6401-05-02 6401-05-04 6401-06-02 6401-06-04 6401-06-06 6401-06-08 6401-08-04 6401-08-06 6401-08-08 6401-10-08 6401-10-12 6401-12-08 6401-12-12 6401-14-12 6401-16-12 6401-16-16 6401-20-16 6401-20-20 6401-24-16 6401-24-24 6401-32-32</p>	<p>6404 CONTINUED</p> <p>Part #</p> <p>6404-08-04 6404-08-06 6404-08-08 6404-10-06 6404-10-08 6404-12-08 6404-12-12 6404-12-16 6404-16-16 6404-20-20 6404-24-24</p>	<p>6405 CONTINUED</p> <p>Part #</p> <p>6405-16-16 6405-16-20 6405-20-12 6405-20-16 6405-20-20 6405-20-24 6405-24-16 6405-24-20 6405-24-24 6405-32-24 6405-32-32</p>
 <p>6409 IE#6408-H MOR HOLLOW HEX PLUG</p> <p>Part #</p> <p>6409-02 6409-03 6409-04 6409-05 6409-06 6409-08 6409-10 6409-12 6409-14 6409-16 6409-20 6409-24 6409-32</p>	 <p>6404 IE#6404 FOR-MP CONNECTOR</p> <p>Part #</p> <p>6404-04-02 6404-04-04 6404-05-02 6404-05-04 6404-06-04 6404-06-06 6404-06-08</p>	 <p>6405 IE#720-FSO MOR-FP CONNECTOR</p> <p>Part #</p> <p>6405-02-02 6405-04-02 6405-04-04 6405-04-06 6405-05-02 6405-05-04 6405-06-02 6405-06-04 6405-06-06 6405-06-08 6405-08-04 6405-08-06 6405-08-08 6405-10-04 6405-10-06 6405-10-08 6405-10-12 6405-12-06 6405-12-08 6405-12-12 6405-14-12 6405-16-08 6405-16-12</p>	 <p>6407 IE#6407 MOR-MOR ADJ UNION</p> <p>Part #</p> <p>6407-04-04 6407-06-06 6407-08-08 6407-10-10 6407-12-12 6407-16-16 6407-20-20 6407-24-24 6407-32-32</p>  <p>6410 IE#719-FSO MOR-FOR CONNECTOR</p> <p>Part #</p> <p>6410-04-06 6410-06-04 6410-06-08 6410-08-04 6410-08-06 6410-08-08 6410-08-10 6410-10-04 6410-10-05</p>


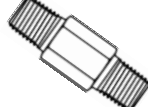
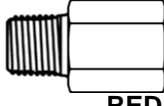
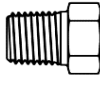
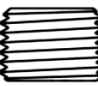
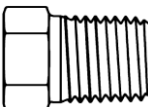
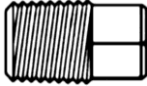
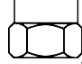
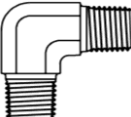
STEEL SAE O-RING ADAPTERS

<p>6410 CONTINUED</p> <p>Part #</p> <p>6410-10-06 6410-10-08 6410-10-12 6410-12-06 6410-12-08 6410-12-10 6410-12-16 6410-14-06 6410-14-08 6410-14-10 6410-14-12 6410-16-08 6410-16-12 6410-16-14 6410-16-20 6410-20-10 6410-20-12 6410-20-16 6410-20-24 6410-24-12 6410-24-16 6410-24-20 6410-32-20 6410-32-24</p>	 <p>6425 FOR-FOR COUPLING</p> <p>Part #</p> <p>6425-04-04 6425-06-06 6425-08-08 6425-10-10 6425-12-12</p>	 <p>6806 IE#6806 MOR-MP ELBOW 90°</p> <p>Part #</p> <p>6806-04-02 6806-04-04 6806-05-02 6806-06-04 6806-06-06 6806-08-06 6806-08-08 6806-10-08 6806-12-12 6806-14-12 6806-16-16 6806-20-20 6806-24-24 6806-32-32</p>	<p>6809 CONTINUED</p> <p>Part #</p> <p>6809-08-08 6809-10-08 6809-10-10 6809-12-08 6809-12-12 6809-16-16 6809-20-20</p>
 <p>6420 FOR-FP COUPLING</p> <p>Part #</p> <p>6420-06-06 6420-08-08 6420-10-08 6420-12-12</p>	 <p>6805 IE#6805 MOR-FP ELBOW 90°</p> <p>Part #</p> <p>6805-04-02 6805-04-04 6805-05-02 6805-06-04 6805-06-06 6805-08-06 6805-08-08 6805-10-08 6805-12-08 6805-12-12 6805-14-12 6805-16-12 6805-16-16 6805-20-20 6805-24-24 6805-32-32</p>	 <p>6807 MOR-MOR ADJ ELBOW 90°</p> <p>Part #</p> <p>6807-04-04 6807-06-06 6807-08-08 6807-10-10 6807-12-12 6807-16-16 6807-20-20 6807-24-24</p>	 <p>90DB IE#710-FSO 90 DUROMETER BUNA BOSS O-RING</p> <p>Part #</p> <p>90DB-02 90DB-03 90DB-04 90DB-05 90DB-06 90DB-08 90DB-10 90DB-12 90DB-14 90DB-16 90DB-20 90DB-24 90DB-32</p>
 <p>6809 IE#6809 MOR-FJX ELBOW 90°</p> <p>Part #</p> <p>6809-04-04 6809-06-06</p>			

STEEL PIPE FITTINGS

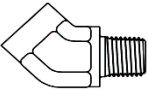
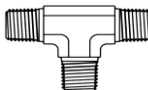
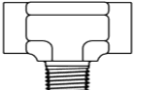
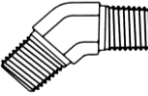

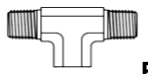
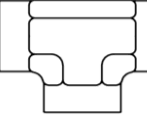
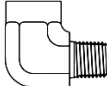

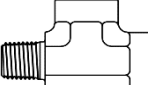
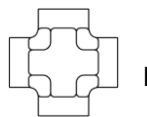
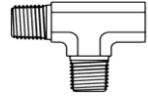
 <p>5000 FP-FP COUPLING</p> <p>Part #</p> <p>5000-02-02 5000-04-02 5000-04-04 5000-06-02 5000-06-04 5000-06-06 5000-08-04 5000-08-06</p>	<p>5000 CONTINUED</p> <p>Part #</p> <p>5000-08-08 5000-12-08 5000-12-12 5000-16-12 5000-16-16 5000-20-20 5000-24-24 5000-32-32</p>	 <p>5404 IE#24SJ MP-MP HEX NIPPLE</p> <p>Part #</p> <p>5404-02-02 5404-04-02 5404-04-04 5404-06-02 5404-06-04 5404-06-06 5404-08-04</p>	<p>5404 CONTINUED</p> <p>Part #</p> <p>5404-08-06 5404-08-08 5404-12-04 5404-12-06 5404-12-08 5404-12-12 5404-16-08 5404-16-12 5404-16-16 5404-20-12</p>
--	---	---	---

STEEL PIPE FITTINGS

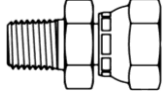
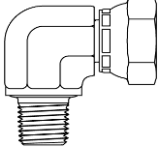
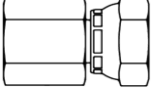
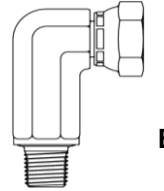
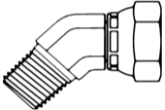
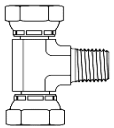
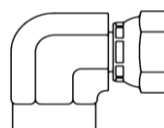
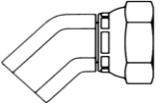
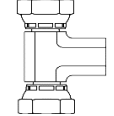
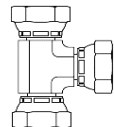
<p>5404 CONTINUED Part # 5404-20-16 5404-20-20 5404-24-12 5404-24-20 5404-24-24 5404-32-32</p>	<p>5404-L CONTINUED Part # 5404-L-12-1.5 5404-L-12-2.0 5404-L-12-2.5 5404-L-12-3.0 5404-L-12-3.5 5404-L-12-4.0 5404-L-12-4.5 5404-L-12-5.0 5404-L-12-6.0 5404-L-16-1.5 5404-L-16-2.0 5404-L-16-2.5 5404-L-16-3.0 5404-L-16-3.5 5404-L-16-4.0 5404-L-16-4.5 5404-L-16-5.0 5404-L-16-6.0 5404-L-20-2.0 5404-L-20-3.0 5404-L-20-3.5 5404-L-20-4.0 5404-L-20-5.5 5404-L-20-6.0 5404-L-24-2.5</p>	<p>5405 CONTINUED Part # 5405-20-16 5405-20-20 5405-20-24 5405-24-20 5405-24-24 5405-32-32</p>	<p> 5406-HP IE#24SR HOLLOW HEX PIPE PLUG Part # 5406-HP-01 5406-HP-02 5406-HP-04 5406-HP-06 5406-HP-08 5406-HP-12 5406-HP-16 5406-HP-20 5406-HP-24 5406-HP-32</p>
<p> 5404-L MP-MP HEX NIPPLE LONG Part # 5404-L-02-.75 5404-L-02-1.5 5404-L-02-2.0 5404-L-02-2.5 5404-L-02-3.0 5404-L-02-3.5 5404-L-02-4.0 5404-L-02-4.5 5404-L-02-5.0 5404-L-02-5.5 5404-L-02-6.0 5404-L-04-1.5 5404-L-04-2.0 5404-L-04-2.5 5404-L-04-3.0 5404-L-04-3.5 5404-L-04-4.0 5404-L-04-4.5 5404-L-04-5.0 5404-L-04-6.0 5404-L-06-1.0 5404-L-06-1.5 5404-L-06-2.0 5404-L-06-2.5 5404-L-06-3.0 5404-L-06-3.5 5404-L-06-4.0 5404-L-06-4.5 5404-L-06-5.0 5404-L-06-5.5 5404-L-06-6.0 5404-L-08-1.5 5404-L-08-2.0 5404-L-08-2.5 5404-L-08-3.0 5404-L-08-3.5 5404-L-08-4.0 5404-L-08-4.5 5404-L-08-5.0 5404-L-08-5.5 5404-L-08-6.0</p>	<p> 5405 IE#24SG MP-FP RED/EXPANDER Part # 5405-01-02 5405-02-02 5405-02-04 5405-02-06 5405-02-08 5405-04-04 5405-04-06 5405-04-08 5405-06-04 5405-06-06 5405-06-08 5405-08-06 5405-08-08 5405-08-12 5405-08-16 5405-12-08 5405-12-12 5405-12-16 5405-12-20 5405-16-12 5405-16-16 5405-16-20</p>	<p> 5406 IE#24SB MP-FP HEX BUSHING Part # 5406-04-02 5406-06-02 5406-06-04 5406-08-02 5406-08-04 5406-08-06 5406-12-02 5406-12-04 5406-12-06 5406-12-08 5406-16-02 5406-16-04 5406-16-06 5406-16-08 5406-16-12 5406-20-08 5406-20-12 5406-20-16 5406-24-08 5406-24-12 5406-24-16 5406-24-20 5406-32-08 5406-32-12 5406-32-16 5406-32-20 5406-32-24</p>	<p> 5406-FP FLUSH HOLLOW HEX PIPE PLUG Part # 5406-FP-02 5406-FP-04 5406-FP-06 5406-FP-08 5406-FP-12 5406-FP-16</p>
		<p> 5406-P IE#24ST HEX HEAD PIPE PLUG Part # 5406-P-02 5406-P-04 5406-P-06 5406-P-08 5406-P-12 5406-P-16 5406-P-20 5406-P-24 5406-P-32</p>	<p> 5406-SP IE#25SP SQUARE HEAD PIPE PLUG Part # 5406-SP-02 5406-SP-04 5406-SP-06 5406-SP-08 5406-SP-12 5406-SP-16 5406-SP-20 5406-SP-24</p>
			<p> 5406-C PIPE CAP Part # 5406-C-02 5406-C-04 5406-C-06 5406-C-08 5406-C-12 5406-C-16</p>
			<p> 5500 IE#25UA MP-MP ELBOW 90° Part # 5500-02-02 5500-04-02 5500-04-04</p>

EMAIL: SALES@CLARKSONPOWERFLOW.COM

STEEL PIPE FITTINGS

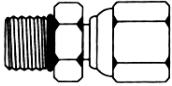
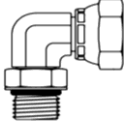

<p>5500 CONTINUED Part # 5500-06-04 5500-06-06 5500-08-06 5500-08-08 5500-12-08 5500-12-12 5500-16-12 5500-16-16 5500-20-20 5500-24-24 5500-32-32</p>	 <p>5503 IE#25TG MP-FP STREET ELBOW 45° Part # 5503-02-02 5503-04-04 5503-06-06 5503-08-08 5503-12-12 5503-16-16 5503-20-20 5503-24-24 5503-32-32</p>	 <p>5600 MP-MP-MP TEE Part # 5600-02 5600-04 5600-06 5600-08 5600-12 5600-16 5600-20</p>	 <p>5604 IE#25VC FP-FP-MP BRANCH TEE Part # 5604-02-02-02 5604-04-04-04 5604-06-06-06 5604-08-08-08 5604-12-12-12 5604-16-16-16 5604-20-20-20 5604-24-24-24</p>
 <p>5501 MP-MP ELBOW 90° Part # 5501-02-02 5501-04-04 5501-06-06 5501-08-08 5501-12-12 5501-16-16 5501-20-20 5501-24-24</p>	 <p>5504 IE#25UJ FP-FP ELBOW 90° Part # 5504-02-02 5504-02-04 5504-04-04 5504-04-06 5504-04-08 5504-06-06 5504-06-08 5504-08-08 5504-08-12 5504-12-12 5504-12-16 5504-16-16 5504-16-20 5504-20-20 5504-24-24 5504-32-32</p>	 <p>5601 MP-MP-FP BRANCH TEE Part # 5601-02-02-02 5601-04-04-04 5601-06-06-06 5601-08-08-08 5601-12-12-12 5601-16-16-16</p>	 <p>5605 IE#25VJ FP-FP-FP TEE Part # 5605-02 5605-04 5605-06 5605-08 5605-12 5605-16 5605-20 5605-24 5605-32</p>
 <p>5502 IE#25UG MP-FP STREET ELBOW° Part # 5502-02-02 5502-02-04 5502-04-02 5502-04-04 5502-04-06 5502-06-04 5502-06-06 5502-06-08 5502-08-06 5502-08-08 5502-12-08 5502-12-12 5502-12-16 5502-16-12 5502-16-16 5502-16-20 5502-20-16 5502-20-20 5502-24-24 5502-32-32</p>	 <p>5505 FP-FP ELBOW 45° Part # 5505-04-04 5505-06-06 5505-08-08 5505-12-12 5505-16-16 5505-20-20</p>	 <p>5602 IE#25VK MP-FP-FP STREET TEE Part # 5602-02-02-02 5602-04-04-04 5602-06-06-06 5602-08-08-08 5602-12-12-12 5602-16-16-16 5602-20-20-20 5602-24-24-24 5602-32-32-32</p>	 <p>5652 IE#25WJ FP-FP-FP-FP CROSS Part # 5652-02 5652-04 5652-06 5652-08 5652-12 5652-16 5652-20 5652-24 5652-32</p>
		 <p>5603 MP-FP-MP TEE Part # 5603-02-02-02 5603-04-04-04 5603-06-06-06 5603-08-08-08 5603-12-12-12 5603-16-16-16 5603-20-20-20 5603-24-24-24</p>	

STEEL PIPE SWIVEL FITTINGS

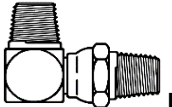
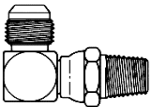
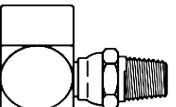
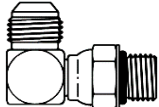
 <p>1404 IE#60SA MP-FPX SWIVEL UNION</p> <p><u>Part #</u> 1404-02-02 1404-02-04 1404-04-02 1404-04-04 1404-04-06 1404-04-08 1404-06-04 1404-06-06 1404-06-08 1404-08-04 1404-08-06 1404-08-08 1404-08-12 1404-12-06 1404-12-08 1404-12-12 1404-12-16 1404-12-20 1404-16-12 1404-16-16 1404-16-20 1404-20-16 1404-20-20 1404-20-24 1404-24-20 1404-24-24 1404-32-32</p>	 <p>1501 IE#60UA MP-FPX SWIVEL ELBOW 90°</p> <p><u>Part #</u> 1501-02-02 1501-02-04 1501-04-02 1501-04-04 1501-04-06 1501-06-04 1501-06-06 1501-06-08 1501-08-04 1501-08-06 1501-08-08 1501-08-12 1501-12-06 1501-12-08 1501-12-12 1501-12-16 1501-16-12 1501-16-16 1501-16-20 1501-20-12 1501-20-16 1501-20-20 1501-20-24 1501-24-20 1501-24-24 1501-32-32</p>	<p>1502 CONTINUED</p> <p><u>Part #</u> 1502-04-06 1502-06-04 1502-06-06 1502-06-08 1502-08-06 1502-08-08 1502-12-08 1502-12-12 1502-16-12 1502-16-16 1502-20-16 1502-20-20 1502-24-24 1502-32-32</p>	<p>1504 CONTINUED</p> <p><u>Part #</u> 1504-08-08 1504-12-08 1504-12-12 1504-16-12 1504-16-16 1504-20-20 1504-24-24</p>
 <p>1405 IE#60SG FP-FPX SWIVEL UNION</p> <p><u>Part #</u> 1405-02-02 1405-04-04 1405-04-06 1405-06-04 1405-06-06 1405-06-08 1405-08-06 1405-08-08 1405-08-12 1405-12-08 1405-12-12 1405-12-16 1405-16-12 1405-16-16 1405-20-20 1405-24-24 1405-32-32</p>	 <p>1501-L IE#60UC MP-FPX SWIVEL ELBOW 90° LONG</p> <p><u>Part #</u> 1501-L-02-02 1501-L-04-04 1501-L-06-06 1501-L-08-08 1501-L-12-12 1501-L-16-16</p>	 <p>1503 IE#60TA MP-FPX SWIVEL ELBOW 45°</p> <p><u>Part #</u> 1503-02-02 1503-02-04 1503-04-04 1503-04-06 1503-06-04 1503-06-06 1503-06-08 1503-08-04 1503-08-06 1503-08-08 1503-08-12 1503-12-06 1503-12-08 1503-12-12 1503-12-16 1503-16-12 1503-16-16 1503-16-20 1503-20-16 1503-20-20 1503-24-24 1503-32-32</p>	 <p>1601 IE#60VC MP-FPX-FPX SWIVEL TEE</p> <p><u>Part #</u> 1601-02-02-02 1601-04-04-04 1601-06-04-04 1601-06-06-06 1601-08-06-06 1601-08-08-08 1601-12-08-08 1601-12-12-12 1601-16-12-12 1601-16-16-16 1601-20-20-20 1601-24-24-24</p>
	 <p>1502 IE#60UG FP-FPX SWIVEL ELBOW 90°</p> <p><u>Part #</u> 1502-02-02 1502-04-02 1502-04-04</p>	 <p>1504 IE#60TG FP-FPX SWIVEL ELBOW 45°</p> <p><u>Part #</u> 1504-02-02 1504-04-04 1504-06-04 1504-06-06</p>	 <p>1602 IE#60VH FP-FPX-FPX SWIVEL TEE</p> <p><u>Part #</u> 1602-02-02-02 1602-04-04-04 1602-06-04-04 1602-06-06-06 1602-08-06-06 1602-08-08-08 1602-12-08-08 1602-12-12-12 1602-16-12-12 1602-16-16-16 1602-20-20-20</p>
			 <p>1603 IE#60VJ FP-FPX-FPX SWIVEL TEE</p> <p><u>Part #</u> 1603-02-02-02 1603-04-04-04 1603-06-06-06 1603-08-08-08 1603-12-12-12 1603-16-16-16 1603-20-20-20</p>

EMAIL: SALES@CLARKSONPOWERFLOW.COM

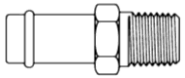

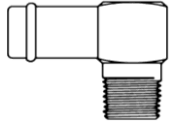
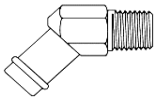
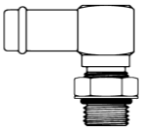
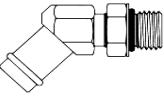
STEEL PIPE SWIVEL FITTINGS

 <p>6900 IE#60SB MOR-FPX SWIVEL UNION</p> <p><u>Part #</u> 6900-04-02 6900-04-04 6900-04-06 6900-05-04 6900-06-04 6900-06-06 6900-06-08 6900-08-04 6900-08-06 6900-08-08 6900-08-12 6900-10-06 6900-10-08 6900-10-12 6900-12-08 6900-12-12 6900-12-16 6900-14-12 6900-16-08 6900-16-12</p>	<p>6900 CONTINUED</p> <p><u>Part #</u> 6900-16-16 6900-16-20 6900-20-16 6900-20-20 6900-24-20 6900-24-24 6900-32-32</p>	<p>6901 CONTINUED</p> <p><u>Part #</u> 6901-10-08 6901-10-12 6901-12-06 6901-12-08 6901-12-12 6901-12-16 6901-14-12 6901-16-12 6901-16-16 6901-20-12 6901-20-16 6901-20-20 6901-24-24 6901-32-32</p>	<p>6902 CONTINUED</p> <p><u>Part #</u> 6902-08-06 6902-08-08 6902-08-12 6902-10-06 6902-10-08 6902-10-12 6902-12-08 6902-12-12 6902-16-12 6902-16-16 6902-20-16 6902-20-20 6902-24-24</p>
	 <p>6901 IE#60UB MOR-FPX SWIVEL ELBOW 90°</p> <p><u>Part #</u> 6901-04-02 6901-04-04 6901-04-06 6901-06-04 6901-06-06 6901-06-08 6901-08-04 6901-08-06 6901-08-08 6901-08-12 6901-10-06</p>	 <p>6902 IE#60TB MOR-FPX SWIVEL ELBOW 45°</p> <p><u>Part #</u> 6902-04-04 6902-06-04 6902-06-06 6902-06-08</p>	

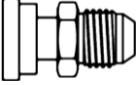
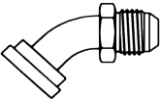
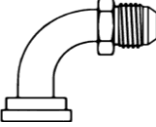
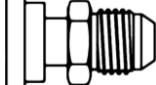
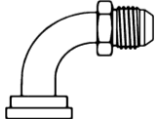
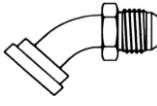
STEEL PIPE SWIVEL FITTINGS-INSTALLATION ONLY

 <p>5700-S MP-MP (SWIVEL) ELBOW 90°</p> <p><u>Part #</u> 5700-S-04-04 5700-S-06-06 5700-S-08-08 5700-S-12-12</p>	 <p>5701-S MJ-MP (SWIVEL) ELBOW 90°</p> <p><u>Part #</u> 5701-S-04-04 5701-S-06-04 5701-S-06-06 5701-S-08-06 5701-S-08-08 5701-S-10-08 5701-S-12-12</p>	 <p>5702-S FP-MP (SWIVEL) STREET ELBOW 90°</p> <p><u>Part #</u> 5702-S-04-04 5702-S-06-06 5702-S-08-08 5702-S-12-12</p>	 <p>6801-S MJ-MOR (SWIVEL) ELBOW 90°</p> <p><u>Part #</u> 6801-S-06-06 6801-S-08-08 6801-S-10-10</p>
--	---	--	--


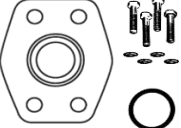

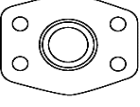
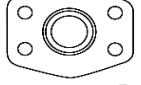
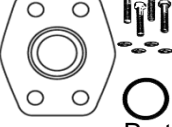
STEEL BEADED HOSE FITTINGS

 <p>4404 BEADED HOSE-MP</p> <p><u>Part #</u> 4404-04-02 4404-04-04 4404-05-02 4404-06-04 4404-06-06 4404-08-06 4404-08-08 4404-08-12 4404-10-06 4404-10-08 4404-12-08 4404-12-12 4404-12-16 4404-16-12 4404-16-16 4404-20-16 4404-20-20 4404-24-20 4404-24-24 4404-32-32</p>	<p>4501 CONTINUED</p> <p><u>Part #</u> 4501-06-08 4501-08-06 4501-08-08 4501-10-08 4501-10-12 4501-12-08 4501-12-12 4501-16-12 4501-16-16 4501-20-16 4501-20-20 4501-24-20 4501-24-24 4501-32-32</p>	 <p>4604 BEADED HOSE-MOR</p> <p><u>Part #</u> 4604-04-04 4604-06-06 4604-08-08 4604-10-10 4604-12-12 4604-16-16 4604-20-16 4604-20-20 4604-24-20 4604-24-24 4604-32-32</p>	<p>4601 CONTINUED</p> <p><u>Part #</u> 4601-16-16 4601-20-16 4601-20-20 4601-20-24 4601-24-20 4601-24-24 4601-32-32</p>
 <p>4501 BEADED HOSE-MP ELBOW 90°</p> <p><u>Part #</u> 4501-04-02 4501-04-04 4501-05-02 4501-06-04 4501-06-06</p>	 <p>4503 BEADED HOSE-MP ELBOW 45°</p> <p><u>Part #</u> 4503-04-02 4503-04-04 4503-06-04 4503-06-06 4503-08-06 4503-08-08 4503-10-08 4503-12-12 4503-16-12 4503-16-16 4503-20-20 4503-24-24</p>	 <p>4601 BEADED HOSE-MOR ELBOW 90°</p> <p><u>Part #</u> 4601-04-04 4601-04-06 4601-06-06 4601-06-08 4601-08-06 4601-08-08 4601-10-08 4601-10-10 4601-10-12 4601-12-08 4601-12-10 4601-12-12 4601-16-12</p>	 <p>4603 BEADED HOSE-MOR ELBOW 45°</p> <p><u>Part #</u> 4603-04-04 4603-06-06 4603-08-08 4603-10-08 4603-10-10 4603-12-08 4603-12-12 4603-16-12 4603-16-16 4603-20-16 4603-20-20 4603-24-24</p>

SPLIT FLANGE ADAPTERS CODE 61 & 62



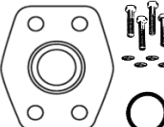
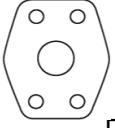


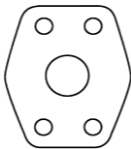
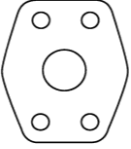

 <p>6100 MJ-C61 FLANGE</p> <p>Part #</p> <p>6100-08-08 6100-08-12 6100-10-10 6100-12-10 6100-12-12 6100-12-16 6100-16-12 6100-16-16 6100-16-20 6100-16-24 6100-20-16 6100-20-20 6100-20-24 6100-24-24 6100-32-32</p>	<p>6145 CONTINUED</p> <p>Part #</p> <p>6145-16-16 6145-16-20 6145-16-24 6145-20-12 6145-20-16 6145-20-20 6145-20-24 6145-24-20 6145-24-24 6145-32-32</p>	<p>6190 CONTINUED</p> <p>Part #</p> <p>6190-24-16 6190-24-20 6190-24-24 6190-24-32 6190-32-32</p>	<p>6245 CONTINUED</p> <p>Part #</p> <p>6245-16-16 6245-16-20 6245-20-20 6245-20-24 6245-24-24 6245-32-32</p>
 <p>6145 MJ-C61 FLANGE ELBOW 45°</p> <p>Part #</p> <p>6145-08-08 6145-08-12 6145-12-12 6145-12-16 6145-12-20 6145-16-12</p>	 <p>6190 MJ-C61 FLANGE ELBOW 90°</p> <p>Part #</p> <p>6190-08-08 6190-08-12 6190-10-10 6190-12-10 6190-12-12 6190-12-16 6190-16-12 6190-16-16 6190-16-20 6190-16-24 6190-20-16 6190-20-20 6190-20-24</p>	 <p>6200 MJ-C62 FLANGE</p> <p>Part #</p> <p>6200-12-12 6200-12-16 6200-16-16 6200-16-20 6200-16-24 6200-20-16 6200-20-20 6200-20-24 6200-24-20 6200-24-24 6200-32-32</p>	 <p>6290 MJ-C62 FLANGE ELBOW 90°</p> <p>Part #</p> <p>6290-12-12 6290-12-16 6290-16-12 6290-16-16 6290-16-20 6290-16-24 6290-20-16 6290-20-20 6290-20-24 6290-24-20 6290-24-24 6290-32-32</p>
		 <p>6245 MJ-C62 FLANGE ELBOW 45°</p> <p>Part #</p> <p>6245-12-12 6245-12-16 6245-16-12</p>	

SPLIT FLANGES & FLANGE PADS CODE 61 / 3,000 PSI


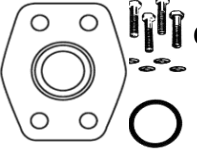


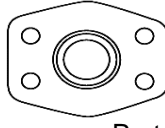
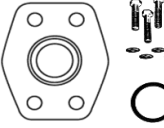
 <p>SF C61 SPLIT FLANGE HALF</p> <p>Part #</p> <p>SF-08 SF-12 SF-16 SF-20 SF-24 SF-32 SF-40 SF-48</p>	<p>SFK CONTINUED</p> <p>Part #</p> <p>SFK-32 SFK-40 SFK-48</p>	 <p>W4K C61 PIPE WELD FLANGE PAD KIT</p> <p>Part #</p> <p>W4K-08-08 W4K-12-12 W4K-16-16 W4K-20-20 W4K-24-24 W4K-32-32 W4K-40-40 W4K-48-48</p>	<p>W43 CONTINUED</p> <p>Part #</p> <p>W43-16-16 W43-20-20 W43-24-24 W43-32-32 W43-40-40 W43-48-48</p>
 <p>SFK C61 SPLIT FLANGE KIT</p> <p>Part #</p> <p>SFK-08 SFK-12 SFK-16 SFK-20 SFK-24</p>	 <p>W4 C61 PIPE WELD FLANGE PAD</p> <p>Part #</p> <p>W4-08-08 W4-12-12 W4-16-16 W4-20-20 W4-24-24 W4-32-32 W4-40-40 W4-48-48</p>	 <p>W43 C61 FP FLANGE PAD</p> <p>Part #</p> <p>W43-08-08 W43-12-12</p>	 <p>W43K C61 FP FLANGE PAD KIT</p> <p>Part #</p> <p>W43K-08-08 W43K-12-12 W43K-16-16 W43K-20-20 W43K-24-24 W43K-32-32 W43K-40-40 W43K-48-48</p>

EMAIL: SALES@CLARKSONPOWERFLOW.COM




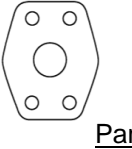

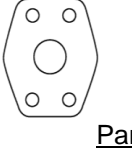

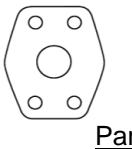

SPLIT FLANGES & FLANGE PADS CODE 61 / 3,000 PSI

 <p>W46 C61 FEM O-RING FLANGE PAD</p> <p>Part # W46-08-08 W46-12-12 W46-16-16 W46-20-20 W46-24-24 W46-32-32</p>	<p>WC4 CONTINUED</p> <p>Part # WC4-16-16 WC4-20-20 WC4-24-24 WC4-32-32 WC4-40-40 WC4-48-48</p>	<p>WC46 CONTINUED</p> <p>Part # WC46-24-24 WC46-32-32</p>	 <p>CP C61 FLANGE CONNECTOR</p> <p>Part # CP-08 CP-12 CP-16 CP-20 CP-24 CP-32 CP-40 CP-48</p>
 <p>W46K C61 FEM O-RING FLANGE PAD KIT</p> <p>Part # W46K-08-08 W46K-12-12 W46K-16-16 W46K-20-20 W46K-24-24 W46K-32-32</p>	 <p>WC43 C61 FP COMPANION PAD</p> <p>Part # WC43-08-08 WC43-12-12 WC43-16-16 WC43-20-20 WC43-24-24 WC43-32-32 WC43-40-40 WC43-48-48</p>	 <p>6861 C61 BRAZE- FLANGE HEAD</p> <p>Part # 6861-08-08 6861-12-12 6861-16-16 6861-20-20 6861-24-24 6861-32-32 6861-40-40 6861-48-48</p>	 <p>90DF 90 DUROMETER FLANGE O-RING</p> <p>Part # 90DF-08 90DF-12 90DF-16 90DF-20 90DF-24 90DF-32 90DF-40 90DF-48</p>
 <p>WC4 C61 PIPE WELD COMPANION PAD</p> <p>Part # WC4-08-08 WC4-12-12</p>	 <p>WC46 C61 FEM O-RING COMPANION PAD</p> <p>Part # WC46-08-08 WC46-12-12 WC46-16-16 WC46-20-20</p>	 <p>6861-P C61 SPLIT FLANGE PLUG</p> <p>Part # 6861-P-08 6861-P-12 6861-P-16 6861-P-20 6861-P-24 6861-P-32 6861-P-40</p>	

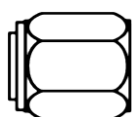
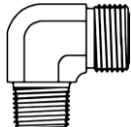
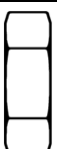
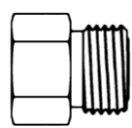
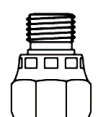
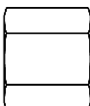
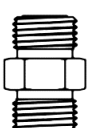
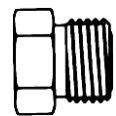
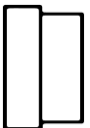
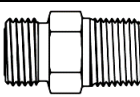
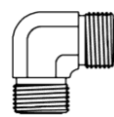
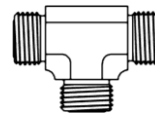
SPLIT FLANGES & FLANGE PADS CODE 62 / 6,000 PSI

 <p>SFX C62 SPLIT FLANGE HALF</p> <p>Part # SFX-08 SFX-12 SFX-16 SFX-20 SFX-24 SFX-32</p>	<p>SFXK CONTINUED</p> <p>Part # SFXK-20 SFXK-24 SFXK-32</p>	 <p>W42K C62 PIPE WELD FLANGE PAD KIT</p> <p>Part # W42K-08-08 W42K-12-12 W42K-16-16 W42K-20-20 W42K-24-24 W42K-32-32</p>	<p>W44 CONTINUED</p> <p>Part # W44-08-08 W44-12-12 W44-16-16 W44-20-20 W44-24-24 W44-32-32</p>
 <p>SFXK C62 SPLIT FLANGE KIT</p> <p>Part # SFXK-08 SFXK-12 SFXK-16</p>	 <p>W42 C62 PIPE WELD FLANGE PAD</p> <p>Part # W42-08-08 W42-12-12 W42-16-16 W42-20-20 W42-24-24 W42-32-32</p>	 <p>W44 C62 FP FLANGE PAD</p> <p>Part # W44-08-08 W44-12-12</p>	 <p>W44K C62 FP FLANGE PAD KIT</p> <p>Part # W44K-08-08 W44K-12-12 W44K-16-16 W44K-20-20 W44K-24-24 W44K-32-32</p>

SPLIT FLANGES & FLANGE PADS CODE 62 / 6,000 PSI

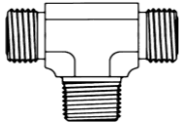
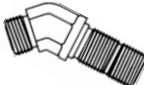
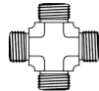
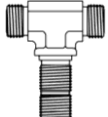
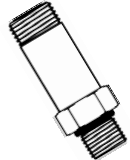
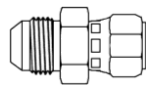
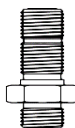
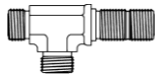
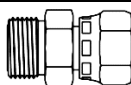
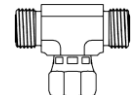
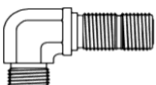
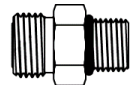
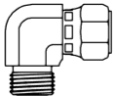
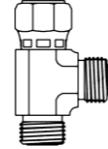
 <p>W48 C62 FEM O-RING FLANGE PAD</p> <p>Part # W48-08-08 W48-12-12 W48-16-16 W48-20-20 W48-24-24 W48-32-32</p>	<p>WC42 CONTINUED</p> <p>Part # WC42-12-12 WC42-16-16 WC42-20-20 WC42-24-24 WC42-32-32</p>	<p>W48K CONTINUED</p> <p>Part # W48K-32-32</p>	<p>6862 CONTINUEDE</p> <p>Part # 6862-12-12 6862-16-16 6832-20-20 6862-24-24 6862-32-32</p>
 <p>W48K C62 FEM O-RING FLANGE PAD KIT</p> <p>Part # W48K-08-08 W48K-12-12 W48K-16-16 W48K-20-20 W48K-24-24 W48K-32-32</p>	 <p>W48 C62 FEM O-RING FLANGE PAD</p> <p>Part # W48-08-08 W48-12-12 W48-16-16 W48-20-20 W48-24-24 W48-32-32</p>	 <p>WC42 C62 PIPE WELD COMPANION</p> <p>Part # WC42-08-08 WC42-12-12 WC42-16-16 WC42-20-20 WC42-24-24 WC42-32-32</p>	 <p>6862-P C62 SPLIT FLANGE PLUG</p> <p>Part # 6862-P-08 6862-P-12 6862-P-16 6862-P-20 6862-P-24 6862-P-32</p>
 <p>WC42 C62 PIPE WELD COMPANION</p> <p>Part # WC42-08-08</p>	 <p>W48K C62 FEM O-RING FLANGE PAD KIT</p> <p>Part # W48K-08-08 W48K-12-12 W48K-16-16 W48K-20-20 W48K-24-24</p>	 <p>WC44 C62 FP COMPANION PAD</p> <p>Part # WC44-08-08 WC44-12-12 WC44-16-16 WC44-20-20 WC44-24-24 WC44-32-32</p>	 <p>6862 C62 BRAZE- FLANGE HEAD</p> <p>Part # 6862-08-08</p>

STEEL O-RING FACE SEAL ADAPTERS

 <p>FF304-C IE#830-TT ORFS CAP NUT</p> <p><u>Part #</u></p> <p>FF304-C-04 FF304-C-06 FF304-C-08 FF304-C-10 FF304-C-12 FF304-C-16 FF304-C-20 FF304-C-24</p>	<p>FF319 CONTINUED</p> <p><u>Part #</u></p> <p>FF319-12-08 FF319-12-10 FF319-16 FF319-16-12 FF319-20 FF319-20-16 FF319-24</p>	<p>FF2404 CONTINUED</p> <p><u>Part #</u></p> <p>FF2404-12-12 FF2404-16-12 FF2404-16-16 FF2404-20-16 FF2404-20-20 FF2404-24-24</p>	 <p>FF2501 IE#849-TT MORFS-MP ELBOW 90°</p> <p><u>Part #</u></p> <p>FF2501-04-02 FF2501-04-04 FF2501-04-06 FF2501-06-04 FF2501-06-06 FF2501-06-08 FF2501-08-06 FF2501-08-08 FF2501-08-12 FF2501-10-08 FF2501-10-12 FF2501-12-08 FF2501-12-12 FF2501-12-16 FF2501-16-12 FF2501-16-16 FF2501-20-20 FF2501-24-24</p>
 <p>FF306 IE#711BH-TT ORFS BULKHEAD LOCK NUT</p> <p><u>Part #</u></p> <p>FF306-04 FF306-06 FF306-08 FF306-10 FF306-12 FF306-16 FF306-20 FF306-24</p>	 <p>FF403 IE#834-TT BRAZE-ON MORFS</p> <p><u>Part #</u></p> <p>FF403-04 FF403-06 FF403-08 FF403-10 FF403-12 FF403-16 FF403-20 FF403-24</p>	 <p>FF2406 IE#883-TT FORFS-MORFS REDUCER</p> <p><u>Part #</u></p> <p>FF2406-06-04 FF2406-08-04 FF2406-08-06 FF2406-10-06 FF2406-10-08 FF2406-12-04 FF2406-12-06 FF2406-12-08 FF2406-12-10 FF2406-16-12 FF2406-20-12 FF2406-20-16 FF2406-24-20</p>	<p>FF2503 IE#854-TT MORFS-MP ELBOW 45°</p> <p><u>Part #</u></p> <p>FF2503-04-04 FF2503-06-04 FF2503-06-06 FF2503-08-06 FF2503-08-08 FF2503-10-08 FF2503-12-12 FF2503-16-16 FF2503-20-20 FF2503-24-24</p>
 <p>FF318 IE#841-TT ORFS TUBE NUT</p> <p><u>Part #</u></p> <p>FF318-04 FF318-06 FF318-08 FF318-10 FF318-12 FF318-16 FF318-20 FF318-24</p>	 <p>FF2403 IE#842-TT MORFS-MORFS UNION</p> <p><u>Part #</u></p> <p>FF2403-04-04 FF2403-06-06 FF2403-08-08 FF2403-10-10 FF2403-12-12 FF2403-16-16 FF2403-20-20 FF2403-24-24</p>	 <p>FF2408 IE#839-TT MORFS PLUG</p> <p><u>Part #</u></p> <p>FF2408-04 FF2408-06 FF2408-08 FF2408-10 FF2408-12 FF2408-16 FF2408-20 FF2408-24</p>	<p>FF2601 IE#845-TT MORFS- MORFS-MP BRANCH TEE</p> <p><u>Part #</u></p> <p>FF2601-04-04 FF2601-06-04 FF2601-06-06 FF2601-08-06 FF2601-08-08 FF2601-10-08 FF2601-12-12 FF2601-16-16 FF2601-20-20 FF2601-24-24</p>
 <p>FF319 IE#840-TT ORFS BRAZE-ON SLEEVE</p> <p><u>Part #</u></p> <p>FF319-04 FF319-06 FF319-06-04 FF319-08 FF319-08-06 FF319-10 FF319-10-08 FF319-12</p>	 <p>FF2404 IE#848-TT MORFS-MP CONNECTOR</p> <p><u>Part #</u></p> <p>FF2404-04-02 FF2404-04-04 FF2404-04-06 FF2404-04-08 FF2404-06-04 FF2404-06-06 FF2404-06-08 FF2404-08-04 FF2404-08-06 FF2404-08-08 FF2404-08-12 FF2404-10-08 FF2404-10-12 FF2404-12-08</p>	 <p>FF2500 IE#855-TT MORFS-MORFS ELBOW 90°</p> <p><u>Part #</u></p> <p>FF2500-04-04 FF2500-06-06 FF2500-08-08 FF2500-10-10 FF2500-12-12 FF2500-16-16 FF2500-20-20 FF2500-24-24</p>	 <p>FF2601 IE#845-TT MORFS- MORFS-MP BRANCH TEE</p> <p><u>Part #</u></p> <p>FF2601-04-04 FF2601-06-04 FF2601-06-06 FF2601-08-06 FF2601-08-08 FF2601-10-08 FF2601-12-12 FF2601-16-16 FF2601-20-20 FF2601-24-24</p>



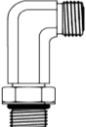
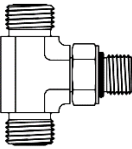
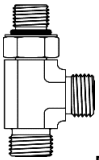

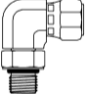
EMAIL: SALES@CLARKSONPOWERFLOW.COM

STEEL O-RING FACE SEAL ADAPTERS

 <p>FF2603 IE#844-TT MORFS UNION TEE</p> <p>Part # FF2603-04 FF2603-06 FF2603-08 FF2603-10 FF2603-12 FF2603-16 FF2603-20 FF2603-24</p>	 <p>FF2702-LN MORFS BULKHEAD ELBOW 45°</p> <p>Part # FF2702-LN-04-04 FF2702-LN-06-06 FF2702-LN-08-08 FF2702-LN-10-10 FF2702-LN-12-12 FF2702-LN-16-16 FF2702-LN-20-20</p>	<p>FF6400 CONTINUED</p> <p>Part # FF6400-08-12 FF6400-10-06 FF6400-10-08 FF6400-10-10 FF6400-10-12 FF6400-12-08 FF6400-12-10 FF6400-12-12 FF6400-16-12 FF6400-16-16 FF6400-16-20 FF6400-20-16 FF6400-20-20 FF6400-20-24 FF6400-24-20 FF6400-24-24</p>	<p>FF6500 CONTINUED</p> <p>Part # FF6500-16-16 FF6500-20-20 FF6500-24-24</p>
 <p>FF2650 MORFS UNION CROSS</p> <p>Part # FF2650-04 FF2650-06 FF2650-08 FF2650-10 FF2650-12 FF2650-16</p>	 <p>FF2703-LN MORFS BULKHEAD TEE</p> <p>Part # FF2703-LN-04 FF2703-LN-06 FF2703-LN-08 FF2703-LN-10 FF2703-LN-12 FF2703-LN-16 FF2703-LN-20</p>	 <p>FF6400-L IE#848L-TTO MORFS-MOR CONNECTOR LONG</p> <p>Part # FF6400-L-04 FF6400-L-06 FF6400-L-08 FF6400-L-10 FF6400-L-12 FF6400-L-16 FF6400-L-20 FF6400-L-24</p>	 <p>FF6504 MJ-FORFS CONNECTOR</p> <p>Part # FF6504-04-04 FF6504-06-06 FF6504-08-08 FF6504-10-10 FF6504-12-12 FF6504-16-16 FF6504-20-20</p>
 <p>FF2700-LN IE#832-TT MORFS-NORFS BULKHEAD</p> <p>Part # FF2700-LN-04-04 FF2700-LN-06-06 FF2700-LN-08-08 FF2700-LN-10-10 FF2700-LN-12-12 FF2700-LN-16-16 FF2700-LN-20-20 FF2700-LN-24-24</p>	 <p>FF2704-LN MORFS BULKHEAD TEE</p> <p>Part # FF2704-LN-04 FF2704-LN-06 FF2704-LN-08 FF2704-LN-10 FF2704-LN-12 FF2704-LN-16 FF2704-LN-20</p>	 <p>FF6402 MORFS-FJX CONNECTOR</p> <p>Part # FF6402-04-04 FF6402-06-06 FF6402-08-08 FF6402-10-10 FF6402-12-12 FF6402-16-16 FF6402-20-20</p>	 <p>FF6600 IE#872-TT MORFS- MORFS-FORFS TEE</p> <p>Part # FF6600-04 FF6600-06 FF6600-08 FF6600-10 FF6600-12 FF6600-16 FF6600-20 FF6600-24</p>
 <p>FF2701-LN MORFS BULKHEAD ELBOW 90°</p> <p>Part # FF2701-LN-04-04 FF2701-LN-06-06 FF2701-LN-08-08 FF2701-LN-10-10 FF2701-LN-12-12 FF2701-LN-16-16 FF2701-LN-20-20 FF2701-LN-24-24</p>	 <p>FF6400 IE#848-TTO MORFS-MOR CONNECTOR</p> <p>Part # FF6400-04-04 FF6400-04-06 FF6400-06-04 FF6400-06-06 FF6400-06-08 FF6400-06-10 FF6400-08-06 FF6400-08-08 FF6400-08-10</p>	 <p>FF6500 IE#879-TT MORFS-FORFS ELBOW 90°</p> <p>Part # FF6500-04-04 FF6500-06-06 FF6500-08-08 FF6500-10-10 FF6500-12-12</p>	 <p>FF6602 IE#871-TT MORFS- FORFS-MORFS TEE</p> <p>Part # FF6602-04 FF6602-06 FF6602-08 FF6602-10 FF6602-12 FF6602-16 FF6602-20</p>

**NOTE:
ALL BULKHEAD
FITTINGS COME WITH
LOCK NUT**

STEEL O-RING FACE SEAL ADAPTERS

<p>FF6801 CONTINUED <u>Part #</u> FF6801-06-10 FF6801-06-12 FF6801-08-06 FF6801-08-08 FF6801-08-10 FF6801-08-12 FF6801-10-08 FF6801-10-10 FF6801-10-12 FF6801-12-08 FF6801-12-10 FF6801-12-12 FF6801-12-16 FF6801-16-12 FF6801-16-16 FF6801-16-20 FF6801-20-16 FF6801-20-20 FF6801-24-24</p>	 <p>FF6802 IE#854-TTO MORFS-MOR ELBOW 45° <u>Part #</u> FF6802-04-04 FF6802-04-06 FF6802-06-04 FF6802-06-06 FF6802-06-08 FF6802-08-06 FF6802-08-08 FF6802-08-10 FF6802-10-08 FF6802-10-10 FF6802-10-12 FF6802-12-10 FF6802-12-12 FF6802-12-16 FF6802-16-12 FF6802-16-16 FF6802-16-20 FF6802-20-20 FF6802-24-24</p>	<p>FF6803 CONTINUED <u>Part #</u> FF6803-10 FF6803-12 FF6803-16 FF6803-20 FF6803-24</p>	 <p>90DFF ORFS VITON 90 DURO O-RING <u>Part #</u> 90DFF-04 90DFF-06 90DFF-08 90DFF-10 90DFF-12 90DFF-16 90DFF-20 90DFF-24</p>
 <p>FF6801-L MORFS-MOR ELBOW 90° LONG <u>Part #</u> FF6801-L-04 FF6801-L-06 FF6801-L-08 FF6801-L-10 FF6801-L-12 FF6801-L-16 FF6801-L-20</p>	 <p>FF6803 IE#845-TTO MORFS- MORFS-MOR TEE <u>Part #</u> FF6803-04 FF6803-06 FF6803-08</p>	 <p>FF6804 IE#851-TTO MORFS- MOR-MORFS TEE <u>Part #</u> FF6804-04 FF6804-06 FF6804-08 FF6804-10 FF6804-12 FF6804-16 FF6804-20 FF6804-24</p>	 <p>90FS ORFS 90 DUROMETER O-RING <u>Part #</u> 90FS-04 90FS-06 90FS-08 90FS-10 90FS-12 90FS-16 90FS-20 90FS-24</p>
		 <p>FF6809 FORFS-MOR ELBOW 90° <u>Part #</u> FF6809-04-04 FF6809-06-06 FF6809-08-08 FF6809-10-10 FF6809-12-12 FF6809-16-16</p>	

CLARKSON POWER FLOW INC.



METRIC CONVERSION ADAPTER CATALOG

P.O. BOX 411897
KANSAS CITY, MO 64141

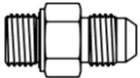
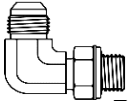
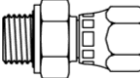
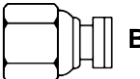



2525 BELLEVIEW
KANSAS CITY, MO 64108

PHONE: 816-221-2268
FAX: 816-221-1437

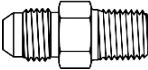
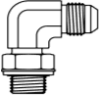
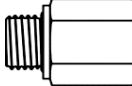

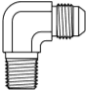
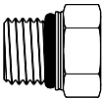
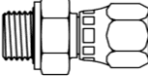

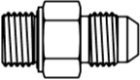
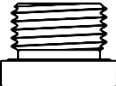
EMAIL: sales@clarksonpowerflow.com
www.clarksonpowerflow.com

TOLL FREE: 1-800-397-5915

STEEL METRIC & BSPP ADAPTERS

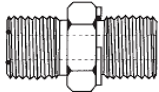
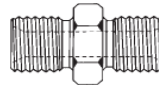
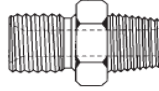
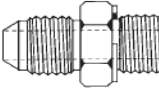
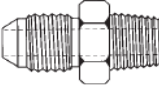
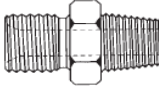
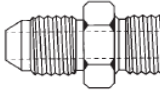
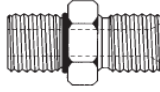
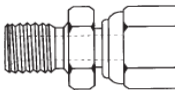
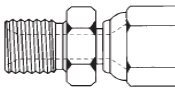

 <p>8800 MJ-MBSP CONNECTOR</p> <p>Part #</p> <p>8800-04-02 8800-04-04 8800-04-06 8800-06-04 8800-06-06 8800-06-08 8800-08-06 8800-08-08 8800-08-12 8800-10-08 8800-10-12 8800-12-08 8800-12-12 8800-12-16 8800-16-12 8800-16-16 8800-20-20 8800-24-20 8800-24-24</p>	<p>8801 CONTINUED</p> <p>Part #</p> <p>8801-06-06 8801-06-08 8801-08-06 8801-08-08 8801-08-12 8801-10-06 8801-10-08 8801-10-12 8801-12-08 8801-12-12 8801-12-16 8801-16-12 8801-16-16 8801-20-16 8801-20-20 8801-24-24</p>	<p>8802 CONTINUED</p> <p>Part #</p> <p>8802-10-08 8802-10-10 8802-12-12 8802-16-16 8802-20-20 8802-24-24</p>	<p>8808 CONTINUED</p> <p>Part #</p> <p>8808-12 8808-16 8808-20 8808-24 8808-32</p>
 <p>8801 MJ-MBSP ELBOW 90°</p> <p>Part #</p> <p>8801-04-02 8801-04-04 8801-06-04</p>	 <p>8802 MBSP-FJX CONNECTOR</p> <p>Part #</p> <p>8802-04-04 8802-04-06 8802-06-04 8802-06-06 8802-06-08 8802-08-06 8802-08-08 8802-08-10</p>	 <p>8806 BSPP SWIVEL CAP</p> <p>Part #</p> <p>8806-02 8806-04 8806-06 8806-08 8806-10 8806-12 8806-16 8806-20 8806-24</p>	 <p>8808-HP MBSP HOLLOW HEX PLUG</p> <p>Part #</p> <p>8808-HP-02 8808-HP-04 8808-HP-06 8808-HP-08 8808-HP-12 8808-HP-16 8808-HP-20 8808-HP-24</p>
		 <p>8808 MBSP HEX HEAD PLUG</p> <p>Part #</p> <p>8808-02 8808-04 8808-06 8808-08 8808-10</p>	 <p>8855 MBSP-FP CONNECTOR</p> <p>Part #</p> <p>8855-02-02 8855-04-02 8855-04-04 8855-06-02 8855-06-04 8855-06-06</p>

STEEL METRIC & BSPP ADAPTERS

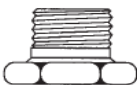
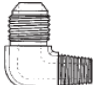
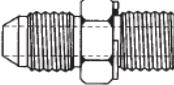
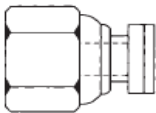
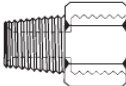
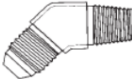
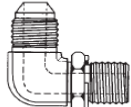
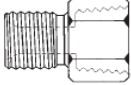
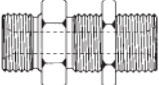
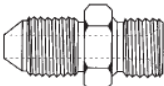
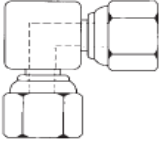
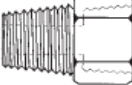

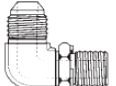
<p>8855 CONTINUED</p> <p>Part #</p> <p>8855-08-04 8855-08-06 8855-08-08 8855-12-08 8855-12-12 8855-16-16 8855-20-20 8855-24-24</p>	<p>8700 CONTINUED</p> <p>Part #</p> <p>8700-06-16 8700-08-16 8700-08-18 8700-10-18 8700-10-20 8700-10-22 8700-12-22 8700-12-27 8700-16-27 8700-16-33 8700-20-42</p>	<p>8708-HP CONTINUED</p> <p>Part #</p> <p>8708-HP-18 8708-HP-20 8708-HP-22 8708-HP-26 8708-HP-27 8708-HP-33 8708-HP-42</p>	<p>BS-MM CONTINUED</p> <p>Part #</p> <p>BS-MM-18 BS-MM-20 BS-MM-22 BS-MM-24 BS-MM-26 BS-MM-27 BS-MM-30 BS-MM-33 BS-MM-36 BS-MM-42</p>
<p> 8900 MJ-MBSPT CONNECTOR</p> <p>Part #</p> <p>8900-04-02 8900-04-04 8900-05-02 8900-05-04 8900-06-04 8900-06-06 8900-06-08 8900-08-06 8900-08-08 8900-10-08 8900-12-08 8900-12-12 8900-16-12 8900-16-16 8900-20-20 8900-24-24</p>	<p> 8701 MJ-MM ELBOW 90°</p> <p>Part #</p> <p>8701-04-10 8701-04-12 8701-04-14 8701-05-12 8701-06-14 8701-06-16 8701-08-16 8701-08-18 8701-10-18 8701-10-20 8701-10-22 8701-12-22 8701-12-27 8701-16-27 8701-16-33 8701-20-42</p>	<p> 8755 MM-FP CONNECTOR</p> <p>Part #</p> <p>8755-10-02 8755-12-04 8755-14-04 8755-16-06 8755-16-08 8755-18-06 8755-18-08 8755-22-08 8755-22-12 8755-26-12 8755-27-12 8755-33-16</p>	<p> BS-BP BONDED BSPP SEAL</p> <p>Part #</p> <p>BS-BP-02 BS-BP-04 BS-BP-06 BS-BP-08 BS-BP-10 BS-BP-12 BS-BP-16 BS-BP-20 BS-BP-24 BS-BP-32</p>
<p> 8901 MJ-MBSPT ELBOW 90°</p> <p>Part #</p> <p>8901-04-02 8901-04-04 8901-06-04 8901-06-06 8901-06-08 8901-08-06 8901-08-08 8901-10-08 8901-12-12 8901-16-16 8901-20-20</p>	<p> 8708 MM HEX HEAD PLUG</p> <p>Part #</p> <p>8708-10 8708-12 8708-14 8708-16 8708-18 8708-20 8708-22 8708-26</p>	<p> 8702 MM-FJX CONNECTOR</p> <p>Part #</p> <p>8702-12-05 8702-14-06 8702-16-06 8702-16-08 8702-16-10 8702-18-06 8702-18-08 8702-18-10 8702-20-08 8702-20-10 8702-20-16 8702-22-06 8702-22-08 8702-22-10</p>	<p> BS-MM BONDED METRIC SEAL</p> <p>Part #</p> <p>BS-MM-06 BS-MM-08 BS-MM-10 BS-MM-12 BS-MM-14 BS-MM-16</p>
<p> 8700 MJ-MM CONNECTOR</p> <p>Part #</p> <p>8700-04-10 8700-04-12 8700-04-14 8700-05-12 8700-06-14</p>	<p> 8708-HP MM HOLLOW HEX PLUG</p> <p>Part #</p> <p>8708-HP-10 8708-HP-12 8708-HP-14 8708-HP-16 8708-HP-18</p>		

EMAIL: SALES@CLARKSONPOWERFLOW.COM

CARBON STEEL METRIC CONVERSION ADAPTERS

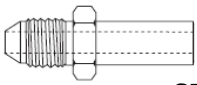

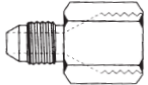
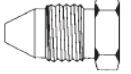


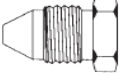
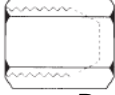

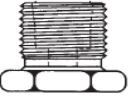

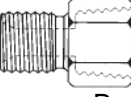
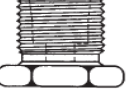
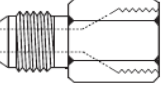

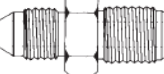
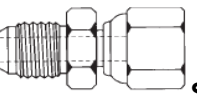
 <p>6002 MORFS- MBSPP</p> <p>Part # 6002-08-08</p>	<p>9003 CONTINUED</p> <p>Part #</p> <p>9003-06-08 9003-06-12 9003-06-16 9003-08-04 9003-08-06 9003-08-08 9003-08-10 9003-08-12 9003-10-08 9003-10-10 9003-10-12 9003-12-08 9003-12-12 9003-12-16 9003-16-08 9003-16-12 9003-16-16 9003-16-20 9003-16-24 9003-16-32 9003-20-12 9003-20-16 9003-20-20 9003-20-24 9003-20-32 9003-24-16 9003-24-20 9003-24-24 9003-24-32 9003-32-24 9003-32-32 9003-40-40 9003-48-48</p>	<p>9005 CONTINUED</p> <p>Part #</p> <p>9005-06-08 9005-06-10 9005-06-12 9005-08-04 9005-08-06 9005-08-08 9005-08-10 9005-08-12 9005-08-16 9005-10-06 9005-10-08 9005-10-10 9005-10-12 9005-12-12 9005-12-16 9005-12-20 9005-14-12 9005-14-16 9005-16-08 9005-16-12 9005-16-16 9005-16-20 9005-16-24 9005-20-12 9005-20-16 9005-20-20 9005-20-24 9005-24-16 9005-24-20 9005-24-24 9005-32-16 9005-32-20 9005-32-24 9005-32-32</p>	<p>9006 CONTINUED</p> <p>Part #</p> <p>9006-12-12 9006-12-16 9006-16-12 9006-16-16 9006-16-20 9006-20-16 9006-20-20 9006-24-24</p>
 <p>9000 MBSPP- MBSPP-</p> <p>Part #</p> <p>9000-04-04 9000-06-06 9000-08-08 9000-16-16</p>			 <p>9007 MBSPP- MNPT</p> <p>Part #</p> <p>9007-04-04 9007-06-06 9007-08-06 9007-08-08 9007-12-12 9007-16-16 9007-20-20</p>
 <p>9002 MJIC- MBSPP</p> <p>Part #</p> <p>9002-04-02 9002-04-04 9002-04-06 9002-05-04 9002-06-04 9002-06-06 9002-06-08 9002-08-08 9002-08-12 9002-10-08 9002-10-12 9002-12-08 9002-12-12 9002-12-16 9002-16-16 9002-20-20 9002-24-20 9002-24-24</p>			 <p>9011 MJIC- MBSPT</p> <p>Part #</p> <p>9011-04-02</p>
 <p>9003 MBSPP- MBSPT</p> <p>Part #</p> <p>9003-02-02 9003-02-04 9003-02-06 9003-04-02 9003-04-04 9003-04-06 9003-04-08 9003-06-02 9003-06-04 9003-06-06</p>	 <p>9005 MJIC- MBSPP</p> <p>Part #</p> <p>9005-04-02 9005-04-04 9005-04-06 9005-04-08 9005-05-02 9005-05-06 9005-05-08 9005-06-02 9005-06-04 9005-06-06</p>	 <p>9006 MORB MBSPP</p> <p>Part #</p> <p>9006-04-04 9006-04-06 9006-06-04 9006-06-06 9006-08-06 9006-08-08 9006-10-06 9006-10-08 9006-12-08</p>	 <p>9019 MBSPP- FMETRIC SWIVEL</p> <p>Part #</p> <p>9019-06-S12-20</p>
			 <p>9021 MBSPP- FJIC SWIVEL</p> <p>Part #</p> <p>9021-04-06</p>
			 <p>9030 BSPP HEX PLUG</p> <p>Part #</p> <p>9030-02 9030-04 9030-06 9030-08 9030-10 9030-12 9030-16 9030-20</p>

CARBON STEEL METRIC CONVERSION ADAPTERS

 <p>9030M METRIC HEX PLUG</p> <p>Part #</p> <p>9030M-08X1.0 9030M-10X1.0 9030M-10X1.5 9030M-12X1.0 9030M-12X1.5 9030M-14X1.5 9030M-16X1.5 9030M-18X1.5 9030M-20X1.5 9030M-22X1.5 9030M-24X1.5 9030M-26X1.5</p>	<p>9035 CONTINUED</p> <p>Part #</p> <p>9035-16-16 9035-20-16 9035-20-20 9035-24-20 9035-24-24 9035-32-24 9035-32-32 9035-40-32 9035-40-40 9035-48-32</p>	 <p>9063 MJIC-MBSPP ELBOW 90°</p> <p>Part #</p> <p>9063-04-02 9063-04-04 9063-06-04 9063-06-06 9063-08-06 9063-08-08 9063-10-08 9063-12-12 9063-16-16</p>	 <p>9068 MJIC- MMETRIC (WWASHER & O-RING)</p> <p>Part #</p> <p>9068-04-10 9068-04-12 9068-04-14 9068-05-12 9068-06-12 9068-06-14 9068-06-16 9068-08-16 9068-08-18 9068-10-18 9068-10-20 9068-10-22 9068-12-22 9068-12-26 9068-12-27 9068-16-27 9068-16-33 9068-20-42 9068-24-48</p>
 <p>9033 BSPP SWIVEL CAP</p> <p>Part #</p> <p>9033-02 9033-04 9033-06 9033-08 9033-10 9033-12 9033-16 9033-20 9033-24 9033-32</p>	 <p>9037 MNPT- FBSP</p> <p>Part #</p> <p>9037-12-12</p>	 <p>9064 MJIC-MBSPT ELBOW 45°</p> <p>Part #</p> <p>9064-04-02 9064-04-04 9064-06-04 9064-06-06 9064-08-06 9064-10-08 9064-12-12 9064-16-16</p>	 <p>9069 MJIC- MMETRIC ELBOW 90°</p> <p>Part #</p> <p>9069-04-10 9069-04-12 9069-04-14 9069-06-14 9069-06-16 9069-08-16 9069-08-18 9069-12-22</p>
 <p>9035 MBSPP- FNPT</p> <p>Part #</p> <p>9035-02-02 9035-02-04 9035-04-02 9035-04-04 9035-04-06 9035-06-02 9035-06-04 9035-06-06 9035-08-02 9035-08-04 9035-08-06 9035-08-08 9035-12-04 9035-12-06 9035-12-08 9035-12-12 9035-16-04 9035-16-06 9035-16-08</p>	 <p>9040 MBSPP- MBSPP BULKHEAD</p> <p>Part #</p> <p>9040-04-04 9040-06-06 9040-08-08 9040-12-12 9040-16-16</p>	 <p>9067 MJIC- MMETRIC</p> <p>Part #</p> <p>9067-04-12 9067-06-12 9067-06-14 9067-06-16 9067-06-18 9067-06-20 9067-06-22 9067-08-12 9067-08-14 9067-08-16 9067-08-18 9067-08-20 9067-08-22 9067-10-16 9067-10-18 9067-10-20 9067-10-22</p>	 <p>9075 BSPP SWIVEL- FBSP SWIVEL ELBOW 90°</p> <p>Part #</p> <p>9075-16-16</p>
 <p>9042 MBSPT- FNPT</p> <p>Part #</p> <p>9042-04-04 9042-06-06 9042-08-08 9042-12-12</p>	 <p>9043 FBSP- FBSP</p> <p>Part #</p> <p>9043-04-04 9043-08-08</p>	 <p>9059 MJIC-MBSPP ELBOW 90°</p> <p>Part #</p> <p>9059-04-04 9059-06-06 9059-08-06 9059-08-08 9059-10-06 9059-10-08 9059-12-12 9059-16-16</p>	


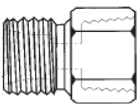

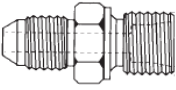
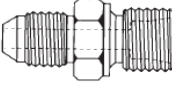
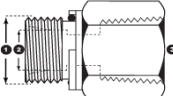
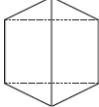
EMAIL: SALES@CLARKSONPOWERFLOW.COM

CARBON STEEL METRIC CONVERSION ADAPTERS

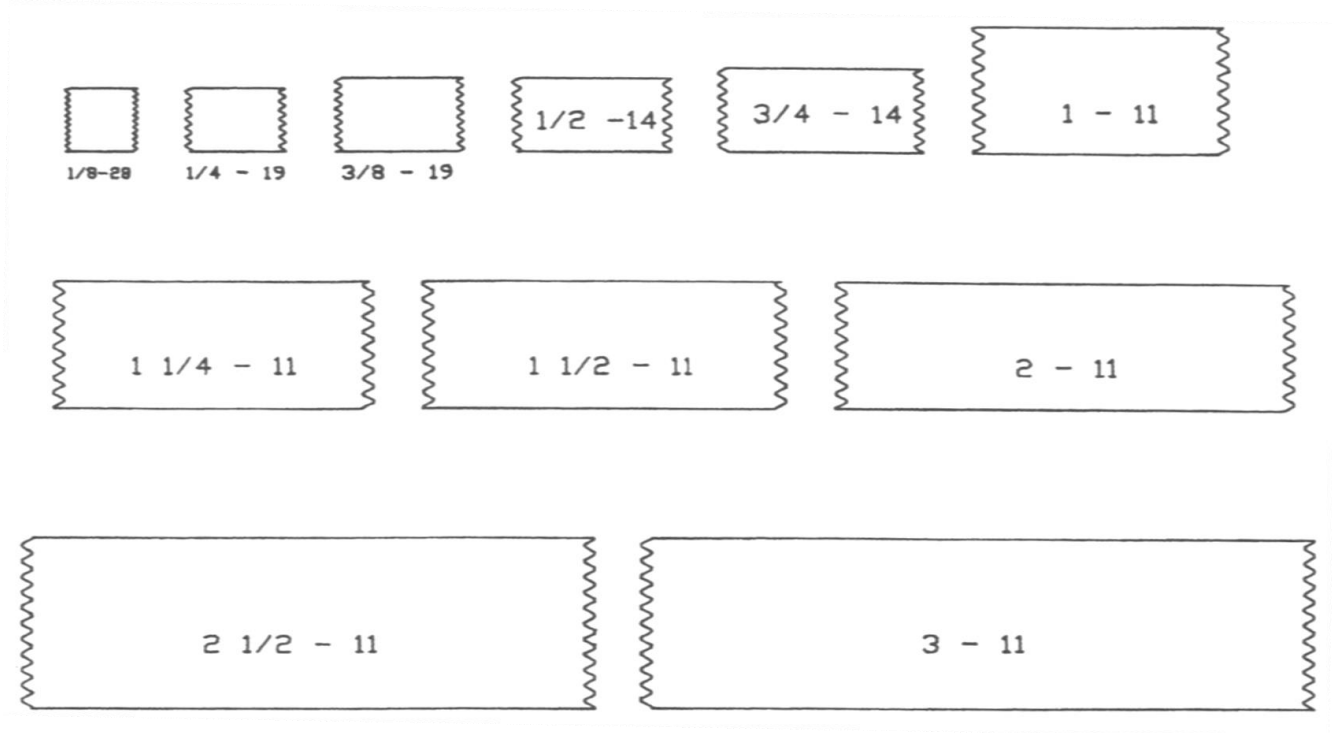
 <p>9200 MJIC-METRIC STANDPIPE</p> <p>Part #</p> <p>9200-04-06 9200-04-08 9200-04-10 9200-06-08 9200-06-12 9200-06-14 9200-08-10 9200-08-15 9200-08-16 9200-10-18 9200-10-20 9200-12-18 9200-12-20 9200-12-22 9200-12-25 9200-16-25 9200-16-28 9200-16-30 9200-20-28 9200-20-35 9200-20-38</p>	<p>9201S CONTINUED</p> <p>Part #</p> <p>9201S-38</p>  <p>9202 METRIC TUBE CUTTING RING</p> <p>Part #</p> <p>9202-06 9202-08 9202-10 9202-12 9202-14 9202-15 9202-16 9202-18 9202-20 9202-22 9202-25 9202-28 9202-30 9202-35 9202-38 9202-42</p>	<p>9203S CONTINUED</p> <p>Part #</p> <p>9203S-08 9203S-10 9203S-12 9203S-14 9203S-16 9203S-20 9203S-25 9203S-30 9203S-38</p>  <p>9220 MJIC-FJIS</p> <p>Part #</p> <p>9220-04-04 9220-06-04 9220-06-06 9220-08-06 9220-08-08 9220-12-12</p>	 <p>9231 KOM HEX PLUG</p> <p>Part #</p> <p>9231-14 9231-18 9231-22 9231-24 9231-30 9231-33</p>
 <p>9201L METRIC LIGHT TUBE NUT</p> <p>Part #</p> <p>9201L-06 9201L-08 9201L-10 9201L-12 9201L-15 9201L-18 9201L-22 9201L-28 9201L-42</p>	 <p>9202LL METRIC EXTRA LIGHT TUBE CUTTING RING</p> <p>Part #</p> <p>9202LL-04 9202LL-06 9202LL-08 9202LL-10 9202LL-12</p>	 <p>9221 JIS HEX PLUG</p> <p>Part #</p> <p>9221-04 9221-06 9221-08 9221-10 9221-12 9221-16 9221-20</p>	 <p>9232 KOM CAP</p> <p>Part #</p> <p>9232-14 9232-18 9232-22 9232-24 9232-30 9232-33</p>
 <p>9201S METRIC HEAVY TUBE NUT</p> <p>Part #</p> <p>9201S-06 9201S-08 9201S-10 9201S-12 9201S-14 9201S-16 9201S-20 9201S-25 9201S-30</p>	 <p>9203L METRIC LIGHT TUBE PLUG</p> <p>Part #</p> <p>9203L-06 9203L-08 9203L-10 9203L-12 9203L-15 9203L-18 9203L-22 9203L-28</p>	 <p>9222 JIS CAP</p> <p>Part #</p> <p>9222-04 9222-06 9222-08 9222-12 9222-16</p>	 <p>9235 MMETRIC-FNPT</p> <p>Part #</p> <p>9235-10-02 9235-12-04 9235-20-04</p>
	 <p>9203S METRIC HEAVY TUBE PLUG</p> <p>Part #</p> <p>9203S-06</p>	 <p>9230 MJIC-FKOM</p> <p>Part #</p> <p>9230-04-14 9230-06-18 9230-08-22 9230-10-24 9230-12-30</p>	 <p>9236 MKOM-MKOM</p> <p>Part #</p> <p>9236-14-14 9236-18-18 9236-22-22 9236-24-24 9236-30-30 9236-33-33</p>
			 <p>9237 MJIC-MKOM</p> <p>Part #</p> <p>9237-04-14</p>
			 <p>9240 MJIC-FBSPP SWIVEL</p> <p>Part #</p> <p>9240-06-06</p>

EMAIL: SALES@CLARKSONPOWERFLOW.COM

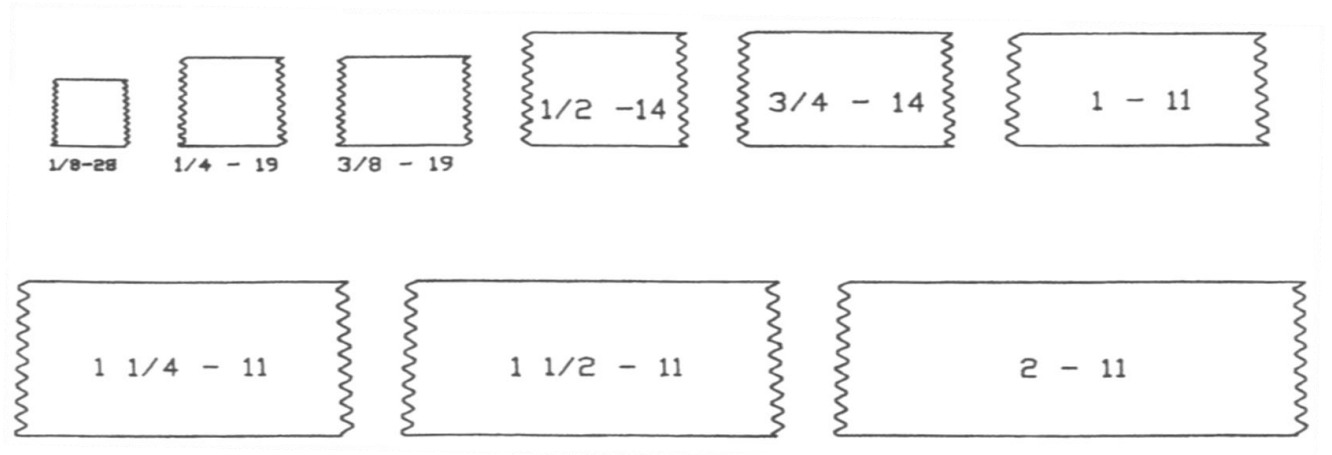
CARBON STEEL METRIC CONVERSION ADAPTERS

 <p>9500 BONDED SEAL FOR BRITISH THREAD</p> <p>Part #</p> <p>9500-02 9500-04 9500-06 9500-08 9500-10 9500-12 9500-16 9500-20 9500-24 9500-32</p>	<p>9500MM CONTINUED</p> <p>Part #</p> <p>9500-14MM 9500-16MM 9500-18MM 9500-20MM 9500-22MM 9500-24MM 9500-26MM 9500-30MM 9500-33MM 9500-36MM 9500-42MM 9500-50MM 9500-52MM</p>	<p>9605 CONTINUED</p> <p>Part #</p> <p>9605-08-L12-18 9605-12-L18-26 9605-16-L28-36</p>	 <p>9635 MMETRIC-DUAL PURPOSE FNPT</p> <p>Part #</p> <p>9635-12-L06-04 9635-14-L08-04 9635-16-L10-06 9635-18-L12-06 9635-22-L15-08 9635-26-L18-12</p>
 <p>9500MM BONDED SEAL FOR METRIC THREAD</p> <p>Part #</p> <p>9500-06MM 9500-08MM 9500-10MM 9500-12MM</p>	 <p>9605 MJIC-MMETRIC DUAL PURPOSE</p> <p>Part #</p> <p>9605-04-L06-12 9605-04-L08-14 9605-06-L10-16 9605-06-L12-18</p>	 <p>9606 MJIC-MMETRIC DUAL PURPOSE</p> <p>Part #</p> <p>9606-04-S08-16 9606-06-S08-16 9606-06-S10-18 9606-06-S12-20 9606-08-S10-18 9606-08-S12-20 9606-08-S14-22 9606-10-S16-24 9606-12-S20-30 9606-12-S25-36 9606-16-S30-42</p>	 <p>9635S MMETRIC-ALL PURPOSE FNPT</p> <p>Part #</p> <p>9635S-14-L08-04 9635S-16-L10-06 9635S-18-L12-06 9635S-22-L15-08 9636S-24-S16-12</p>
			 <p>9999 JIS SEALING SEAT</p> <p>Part #</p> <p>9999-04 9999-06 9999-08 9999-12</p>

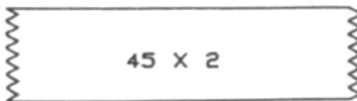
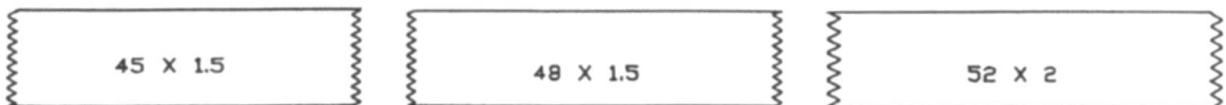
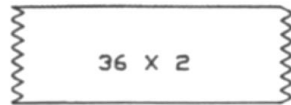
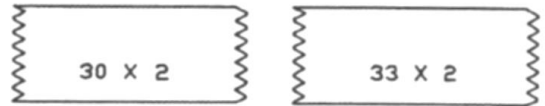
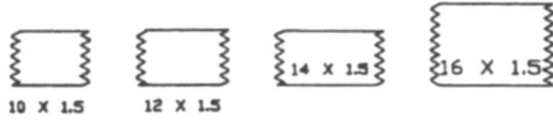
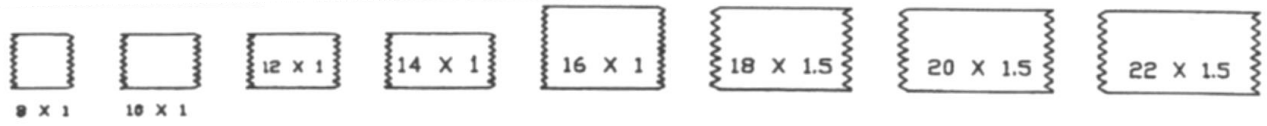
BRITISH PARALLEL THREADS





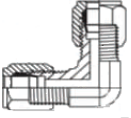
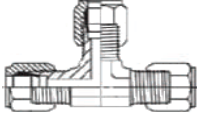

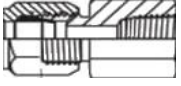
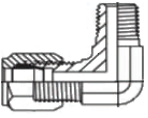
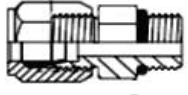

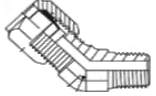
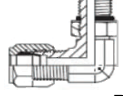
BRITISH TAPER THREADS



METRIC PARALLEL THREADS



STEEL FLARELESS BITE TYPE FITTINGS

 <p>C318 BT NUT</p> <p>Part # C318-04 C318-06 C318-08 C318-10 C318-12 C318-16</p>	 <p>C2404 BT MP</p> <p>Part # C2404-04-02 C2404-04-04 C2404-06-02 C2404-06-04 C2404-06-06 C2404-06-08 C2404-08-06 C2404-08-08 C2404-10-08 C2404-12-12 C2404-16-16 C2404-20-20 C2404-24-24</p>	 <p>C2500 BT-UNION 90</p> <p>Part # C2500-06-06 C2500-08-08 C2500-12-12</p>	 <p>C2603 BT-UNION TEE</p> <p>Part # C2603-04-04-04 C2603-06-06-06 C2603-08-08-08 C2603-12-12-12</p>
 <p>C319 BT SLEEVE</p> <p>Part # C319-04 C319-06 C319-08 C319-10 C319-12 C319-16</p>	 <p>C2405 BT FP</p> <p>Part # C2405-04-04 C2405-06-04 C2405-06-06 C2405-06-08 C2405-08-06 C2405-08-08 C2405-10-08 C2405-12-12 C2405-16-16</p>	 <p>C2501 BT-MP 90</p> <p>Part # C2501-04-02 C2501-04-04 C2501-06-04 C2501-06-06 C2501-06-08 C2501-08-06 C2501-08-08 C2501-10-08 C2501-12-12 C2501-16-16 C2501-20-20</p>	 <p>C6400 BT-MOR</p> <p>Part # C6400-04-04 C6400-06-06 C6400-08-08 C6400-10-10 C6400-12-12 C6400-16-16</p>
 <p>C2403 BT UNION</p> <p>Part # C2403-04-04 C2403-06-06 C2403-08-08 C2403-10-10 C2403-12-12 C2403-16-16</p>		 <p>C2503 BT-MP 45</p> <p>Part # C2503-04-04</p>	 <p>C6801 BT-MOR 90</p> <p>Part # C6801-04-04 C6801-06-06 C6801-08-06 C6801-08-10 C6801-10-10 C6801-12-12 C6801-16-16</p>

CLARKSON POWER FLOW INC.



ECONOMICAL QUICK DISCONNECT CATALOG

P.O. BOX 411897
KANSAS CITY, MO 64141

2525 BELLEVIEW
KANSAS CITY, MO 64108

PHONE: 816-221-2268
FAX: 816-221-1437

EMAIL: sales@clarksonpowerflow.com
www.clarksonpowerflow.com

TOLL FREE: 1-800-397-5915

CLARKSON POWER FLOW, INC.

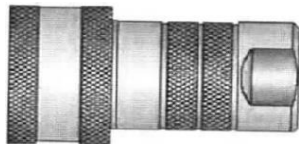
SHIP TO: 2525 Belleview - Kansas City, MO 64108

BILL TO: PO Box 411897 - Kansas City, MO 64141

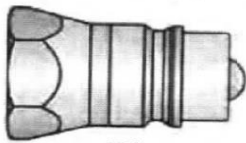
www.clarksonpowerflow.com

Phone: 816-221-2268 - Fax: 816-221-1437

ECONOMICAL QUICK DISCONNECT COUPLERS



Socket



Plug

ISO 5675 Ag

Interchanges with:

*Parker 4000 series

*Safeway S20 series

*Faster NS series

*Tomco PC series



ISO 7241-A

Interchanges with:

*Parker 6600 series

*Snaptite 61 series

*Aeroquip 5600 series



ISO 7241-B

Interchanges with:

*Parker 60 series

*Snaptite 72 series

*Aeroquip FD45 series



ISO 16028 Flushface

Interchanges with:

*Parker FEM series

*Faster FF series

*Holmbury Series A



Wingnut Couplings

Interchanges with:

*Parker 6100 series

*Snaptite 78 series

*Aeroquip 5100 series



Dust Caps/Plugs



Used primarily to keep threads protected and to keep out contaminants.

EMAIL: SALES@CLARKSONPOWERFLOW.COM

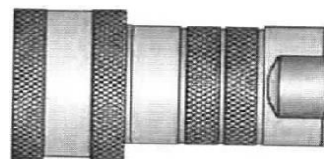
Economical Quick Disconnects

NP - Ag Series Ball Seat Coupler

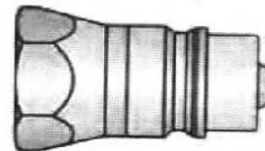
Part Number	Description
4050-3PC	3/8" Female
4050-4PC	1/2" Female

Part Number	Description
4010-3PC	3/8" Male
4010-4PC	1/2" Male

Crossover
Aeroquip FD42
Dixon 18/19
DNP PDV/PDS
Faster NS
Parker 4000
Perfecting AG
Safeway AG S20
Snapтите 21
Tomco PC



Socket



Plug

A - ISO 7241 Series A Coupler

Part Number	Description
61C4-4FC	1/4" Female
61C6-6FC	3/8" Female
61C8-8FC	1/2" Female
61C12-12FC	3/4" Female
61C16-16FC	1" Female

Part Number	Description
61N4-4FC	1/4" Male
61N6-6FC	3/8" Male
61N8-8FC	1/2" Male
61N12-12FC	3/4" Male
61N16-16FC	1" Male

Crossover
Aeroquip FD46
Dixon 5600
DNP PAV
Faster ANV
Parker 6600
Perfecting K
Safeway S56
Snapтите 61
Tomco A5600



B - ISO 7241 Series B Coupler

Part Number	Description
72C4-4FC	1/4" Female
72C6-6FC	3/8" Female
72C8-8FC	1/2" Female
72C12-12FC	3/4" Female
72C16-16FC	1" Female

Part Number	Description
72N4-4FC	1/4" Male
72N6-6FC	3/8" Male
72N8-8FC	1/2" Male
72N12-12FC	3/4" Male
72N16-16FC	1" Male

Crossover
Aeroquip FD45
Dixon 16/17
DNP PBV
Faster HNV
Parker 60
Perfecting H
Safeway S10
Snapтите 72
Tomco IRB



Economical Quick Disconnects

FF - Flush Face ISO 16028

Part Number	Description
74C4-4FC	1/4" Female
74C6-6FC	3/8" Female
74C8-8FC	1/2" Female
74C12-12FC	3/4" Female
74C16-16FC	1" Female

Part Number	Description
74N4-4FC	1/4" Male
74N6-6FC	3/8" Male
74N8-8FC	1/2" Male
74N12-12FC	3/4" Male
74N16-16FC	1" Male

Crossover
Aeroquip FD89
Dixon HT
DNP PLT1
Faster FF
Gates G949
Holmbury Series A
Midland FF
Parker FE
Safeway S56
Snaptite 74
Stucchi FIRG
Tomco FE



W - Wing Nut Coupler

Part Number	Description
B78C12-12FC	3/4" Female
B78C16-16FC	1" Female
B78C20-20FC	1-1/4" Female
B78C24-24FC	1-1/2" Female

Part Number	Description
B78N12-12FC	3/4" Male
B78N16-16FC	1" Male
B78N20-20FC	1-1/4" Male
B78N24-24FC	1-1/2" Male

Crossover
Aeroquip 1500
Dixon 7800
Faster FB
Parker 6100
Perfecting W
Safeway S51
Snaptite 78
Tomco A51



WHP- High Pressure Wing Nut Coupler

Part Number	Description
WHPF-12-12	3/4" Female
WHPF-16-16	1" Female
WHPF-20-20	1-1/4" Female
WHPF-24-24	1-1/2" Female
WHPF-32-32	2" Female

Part Number	Description
WHPM-12-12	3/4" Male
WHPM-16-16	1" Male
WHPM-20-20	1-1/4" Male
WHPM-24-24	1-1/2" Male
WHPM-32-32	2" Male

Crossover
Snaptite 75
Hydraulics Inc 5TV
Perfecting WS



Economical Quick Disconnects

Cap/Plug for A - ISO 7241 Series A

Part Number	Description
61C4-CAP	1/4" Dust Cap
61C6-CAP	3/8" Dust Cap
61C8-CAP	1/2" Dust Cap
61C12-CAP	3/4" Dust Cap
61C16-CAP	1" Dust Cap

Part Number	Description
61N4-PLUG	1/4" Dust Plug
61N6-PLUG	3/8" Dust Plug
61N8-PLUG	1/2" Dust Plug
61N12-PLUG	3/4" Dust Plug
61N16-PLUG	1" Dust Plug



Cap/Plug for B - ISO 7241 Series B

Part Number	Description
72N4-CAP	1/4" Dust Cap
72N6-CAP	3/8" Dust Cap
72N8-CAP	1/2" Dust Cap
72N12-CAP	3/4" Dust Cap
72N16-CAP	1" Dust Cap

Part Number	Description
72C4-PLUG	1/4" Dust Plug
72C6-PLUG	3/8" Dust Plug
72C8-PLUG	1/2" Dust Plug
72C12-PLUG	3/4" Dust Plug
72C16-PLUG	1" Dust Plug



Cap/Plug for FF - Flush Face ISO 16028

Part Number	Description
74C4-CAP	1/4" Dust Cap
74C6-CAP	3/8" Dust Cap
74C8-CAP	1/2" Dust Cap
74C12-CAP	3/4" Dust Cap
74C16-CAP	1" Dust Cap

Part Number	Description
74N4-PLUG	1/4" Dust Plug
74N6-PLUG	3/8" Dust Plug
74N8-PLUG	1/2" Dust Plug
74N12-PLUG	3/4" Dust Plug
74N16-PLUG	1" Dust Plug



Economical Quick Disconnects

Cap/Plug for W - Wing Nut

<u>Part Number</u>	<u>Description</u>
78DC-12C	3/4" Dust Cap
78DC-16C	1" Dust Cap
78DC-20C	1-1/4" Dust Cap
78DC-24C	1-1/2" Dust Cap



<u>Part Number</u>	<u>Description</u>
78DP-12C	3/4" Dust Plug
78DP-16C	1" Dust Plug
78DP-20C	1-1/4" Dust Plug
78DP-24C	1-1/2" Dust Plug

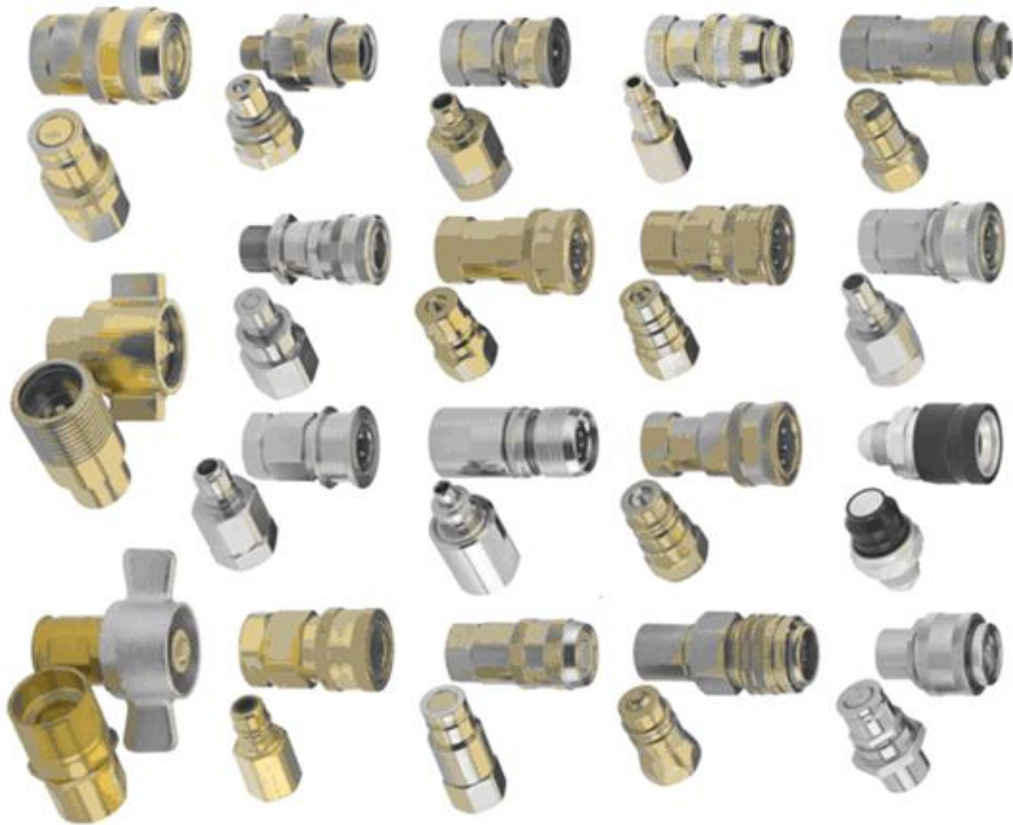
Cap/Plug for WHP- High Pressure Wing Nut

<u>Part Number</u>	<u>Description</u>
WHP-12F	3/4" Dust Cap
WHP-16F	1" Dust Cap
WHP-20F	1-1/4" Dust Cap
WHP-24F	1-1/2" Dust Cap
WHP-32F	2" Dust Cap



<u>Part Number</u>	<u>Description</u>
WHP-12M	3/4" Dust Plug
WHP-16M	1" Dust Plug
WHP-20M	1-1/4" Dust Plug
WHP-24M	1-1/2" Dust Plug
WHP-32M	2" Dust Plug

CLARKSON POWER FLOW INC.



QUICK DISCONNECT COUPLINGS

P.O. BOX 411897
KANAS CITY, MO 64141

2525 BELLEVIEW
KANAS CITY, MO 64108

PHONE: 816-221-2268
FAX: 816-221-1437

EMAIL: sales@clarksonpowerflow.com

TOLL FREE: 1-800-397-5915

www.clarksonpowerflow.com



H - IH - PH SERIES

APPLICATIONS: GENERAL PURPOSE, PLASTIC MOLDING, MACHINE TOOL, TEST EQUIPMENT, AGRICULTURAL, DEPARTMENT OF TRANSPORTATION, MOBILE HYDRAULICS.


CONTACT US FOR H SERIES BRASS & STAINLESS STEEL COUPLERS

WORKING PRESSURES																
Quick Disconnect Size	Valve & Valve (Double Shut-Off) Valve & Plain (Single Shut-Off)								Plain & Plain (No Shut-Off)							
	Steel		Aluminum		Brass		Stainless Steel		Steel		Aluminum		Brass		Stainless Steel	
	PSI	BAR	PSI	BAR	PSI	BAR	PSI	BAR	PSI	BAR	PSI	BAR	PSI	BAR	PSI	BAR
1/4"	6500	448	2250	155	2250	155	5000	345	11000	759	4000	276	4000	276	10000	690
3/8"	4500	310	2250	155	2250	155	4000	276	11000	759	4000	276	4000	276	8000	552
1/2"	4000	276	1750	121	2000	138	3750	259	11000	759	4000	276	4000	276	8000	552
3/4"	3500	241	1750	121	2000	138	2000	138	9000	621	3500	241	3500	241	7000	483
1"	2000	138	1500	103	1750	121	2000	138	6000	414	3000	207	3000	207	4000	276
1-1/4"	1750	121	375	26	350	24	1500	103	5000	345	1000	69	1000	69	3000	207
1-1/2"	1500	103	375	26	350	24	1500	103	5000	345	1000	69	1000	69	3000	207
2"	1500	103	300	21	400	28	500	34	4000	276	750	52	750	52	1000	69
2-1/2"	1000	69	300	21	400	28	400	28	1000	69	300	21	400	23	400	28
3"	750	52	200	14	200	14	400	28	750	52	200	14	200	14	400	28
4"	500	34	150	10	150	10	300	21	500	34	150	10	150	10	300	21

Note: Pressure ratings were established under static pressure conditions. Therefore, pressure ratings for any given flow, pressure surge, and/or vibration may vary from these ratings.


Pressure and Flow Data

Pressure ratings of standard quick disconnects can be increased for some applications by slight design modifications of if specific operating conditions are met. On applications requiring higher ratings than those listed or pressures surges, please consult the factory. Burst pressures listed were taken at the point at which failure rendered the quick disconnect inoperative. (Proof pressure equals 1-1/2 times the working pressure; burst pressure equals 2 times working pressure.)




**ALUMINUM
PLUG
AMPH**

Part #
 AMPH-6
 AMPH-8
 AMPH-12
 AMPH-16
 AMPH-20
 AMPH-24
 AMPH-32



**ALUMINUM
CAP
ADCH**

Part #
 ADCH-6
 ADCH-8
 ADCH-12
 ADCH-16
 ADCH-20
 ADCH-24
 ADCH-32



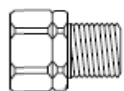
**DUAL PLASTIC
DUST CAP/PLUG
PDCP**

Part #
 PDCP-4
 PDCP-6
 PDCP-8
 PDCP-12
 PDCP-16

Cap on one side
 Plug on the other side

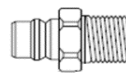
Poppet

H - IH - PH SERIES



**STEEL PLATED
COUPLER
MALE NPT**

Part #
VHC4-4M
VHC6-6M
VHC8-8M
VHC12-12M
VHC16-16M



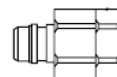
**STEEL PLATED
NIPPLE
MALE NPT**

Part #
VHN4-4M
VHN6-6M
VHN8-8M
VHN12-12M
VHN16-16M



**STEEL PLATED
COUPLER
FEMALE NPT**

Part #
VHC4-2F
VHC4-4F
VHC6-6F
VHC8-8F
VHC12-12F
VHC16-16F
VHC20-20F
VHC24-24F
VHC32-32F



**STEEL PLATED
NIPPLE
FEMALE NPT**

Part #
VHN4-2F
VHN4-4F
VHN6-6F
VHN8-8F
VHN12-12F
VHN16-16F
VHN20-20F
VHN24-24F
VHN32-32F

75 SERIES

APPLICATIONS: RUGGED HYDRAULIC APPLICATIONS: OIL FIELDS, OFFSHORE DRILLING, CRANES, POWER TOOLS.

COUPLER

Part #
75C12-12F
75C16-16F
75C20-20F
75C24-24F



NIPPLE

Part #
75N12-12F
75N16-16F
75N20-20F
75N24-24F

STEEL DUST PLUG

Part #
75MDP-12
75MDP-16
75MDP-20
75MDP-24

STEEL DUST CAP

Part #
75MDC-12
75MDC-16
75MDC-20
75MDC-24

Drybreak

71 SERIES

APPLICATIONS: HYDRAULIC, CHEMICAL SERVICE, IDEAL FOR TEST STANDS AND APPLICATIONS WHERE ENDURANCE AND CLEANLINESS IS A REQUIREMENT.

COUPLER FEMALE NPT

Part #
71-3C4-4F
71-3C6-6F
71-3C8-8F
71-3C12-12F
71-3C16-16F



COMBINATION CAP/PLUG

Part #
71-PDC-4
71-PDC-6
71-PDC-8
71-PDC-12
71-PDC-16

NIPPLE FEMALE NPT

Part #
71-3N4-4F
71-3N6-6F
71-3N8-8F
71-3N12-12F
71-3N16-16F



EMAIL: SALES@CLARKSONPOWERFLOW.COM

Drybreak

78 SERIES

APPLICATIONS: OIL WELL EQUIPMENT, SAND AND SALT SPREADERS, DUMP AND DEMOLITION TRAILERS, LIVE BED TRAILERS, AND OTHER HEAVY DUTY APPLICATIONS.

BRASS COUPLER W/ WING NUT

Thread Size	Part #
3/4"	6125-12
1"	6125-16
1-1/4"	6125-20
1-1/2"	6125-24

OPERATING PRESSURE* BRASS

1"	3000
1-1/2"	2500
1-1/4"	2750
3/4"	3000
SIZE	PSI

BRASS NIPPLE

Thread Size	Part #
3/4"	6105-12
1"	6105-16
1-1/4"	6105-20
1-1/2"	6105-24



PROTECTIVE CAP CARBON STEEL

Thread Size	Part #
3/4"	6108-08
1"	6108-16
1-1/4"	6108-20
1-1/2"	6108-24

PROTECTIVE PLUG CARBON STEEL

Thread Size	Part #
3/4"	6109-08
1"	6109-16
1-1/4"	6109-20
1-1/2"	6109-24

STEEL MOUNTING FLANGE

Part #
6107-08
6107-16
6107-20

HYDRAULIC TOOL AND RESCUE EQUIPMENT 3000 SERIES



FEMALE BODY

Thread Size	Part #
1/4-18 NPTF	3050-2
3/8-18 NPTF	3050-3



COMPLETE COUPLING

Thread Size	Part #
1/4 NPTF	3000-2
3/8 NPTF	3000-3



MALE TIP

Thread Size	Part #
1/4-18 NPTF	3010-2
3/8-18 NPTF	3010-3

DUST PLUG STEEL

Part #	Body Size
3005-2	1/4
3005-3	3/8







































DUST CAP STEEL

Part #	Body Size
3009-2	1/4
3009-3	3/8

Flush-Face Quick Couplings for Skid Steer Loaders and Attachments

To Use This Chart: Find the manufacturer in the left column. Locate the appropriate model number to the right. At the top of that column is the correct replacement coupling for your model. Visually inspect the thread port option to verify that it closely matches yours. Manufacturers routinely make changes during a model year, so a visual inspection is very important.

This chart is a reference tool only, and does not guarantee a proper fit on a specified model.

FEM Series Non-Spill Couplings Skid Steer Manufacturer	 FEM-501-10BMF-NL FEM-502-10BMF Bulkhead; 5/8" flare fitting	 FEM-501-10FO-NL FEM-502-10FO Female O-ring boss; 7/8-14 UNF thread	 FEM-501-10BMS-NL FEM-502-10BMS Bulkhead; 5/8" O-ring face seal	 FEM-501-12FO-NL FEM-502-12FO Female O-ring boss; 1 1/16-12 UNF thread	 FEM-501-8FP-NL FEM-502-8FP Female pipe; 1/2-14 NPSF thread
 Bobcat (2001 or Older)	 463, 553 753, 763		 773, 863 873, 963		
 Caterpillar	 216B, 226B, 232B, 236B 242B, 246B, 248B 252B, 262B, 268B		 216B, 226B, 232B, 236B 242B, 246B, 248B 252B, 262B, 268B		
 John Deere	 317, 320		 325, 328, 332		
 New Holland	 LS140, LS150, LS160 LS170, LS180 LS185, LS190		 LS140, LS150, LS160 LS170, LS180 LS185, LS190		
<p>Note: This chart lists 1/2" body size couplings that have the same interface design used on all Skid Steer models. Only the port connections are different. Some manufacturers may offer a high flow option that could utilize a 3/4" coupler and nipple. Common 3/4" Parker part numbers are FEM-751-12FO-NL and FEM-752-12FO.</p>					
 Case (2001 or Newer)	 410, 420, 430 435, 440, 445 450, 465		 410, 420, 430 435, 440, 445 450, 465		
 Gehl/ Mustang	 4640, 4840 5640, 6640		 4640, 4840 5640, 6640		
 Volvo	 MC60, MC70 MC80		 MC90, MC110		
 Thomas Equipment	 85, 105, 137 153, 175, 205 250, 255, 320		 85, 105, 137 153, 175, 205 250, 255, 320		
 ASV	 RC50, RC60 RC85		 RC100		
 Attachments	 All Skid Steer Attachments		 All Skid Steer Attachments		 All Skid Steer Attachments

- NOTES:**
- Bobcat 2001 or older models use these styles. Newer Bobcat units will use a cartridge version not available from Parker.
 - Caterpillar models will use either a 10FO or 10BMS unit. You can purchase a 10FO and put an adapter in it to create a 10BMS.
 - Case or New Holland Models 2000 to 2003 will use the 10FO port thread. CNH models 2004 or newer will use the 10BMF connection.

- Gehl 2004 or older models use the 12FO port thread. 2005 or newer models use the 10BMF part number.
- Most Skid Steer manufacturers use the 10FO, 12FO or 8FP configuration. The 8FP port option is the most popular connection for attachments.
- Case Models 2000 or older use an FF Series Interchange. FF is not interchangeable with FEM Series, but available through Parker.

The new Generation couplings on skid steer loaders are referred to as non-spill or flush face couplings, and are designed to produce zero spillage upon disconnect. These couplings are very common in the construction and rental market. They are found

on several types of equipment including mini-excavators, front-end loaders and of course skid steers. On newer models in the industry, the different flush face couplings are interchangeable to an industry standard (ISO 16028).



Don't Forget to Replace Your Dust Plugs and Caps Too.


BOBCAT SKID LOADER

2001 and Older Models Use Standard Flat Face Coupler for Skid Steer
 2002 and Newer Models Not Available



COUPLER


Part #	Body	Thread
	Size	Type
FEM-501-10FO-NL	1/2	FEMALE O'RING BOSS, 7/8-14 UNF
FEM-501-12FO-NL	1/2	FEMALE O'RING BOSS, 1 1/16-12 UNF



NIPPLE


Part #	Body	Thread
	Size	Type
FEM-502-10FO	1/2	FEMALE O'RING BOSS, 7/8-14 UNF
FEM-502-12FO	1/2	FEMALE O'RING BOSS, 1 1/16-12 UNF

CATERPILLAR SKID LOADER



COUPLER

Part #	Body	Thread
	Size	Type
FEM-501-10FO-NL	1/2	FEMALE O'RING BOSS, 7/8-14 UNF
FEM-501-10BMS-NL	1/2	BULKHEAD, 5/8 O'RING FACE SEAL




NIPPLE

Part #	Body	Thread
	Size	Type
FEM-502-10FO	1/2	FEMALE O'RING BOSS, 7/8-14 UNF
FEM-502-10BMS	1/2	BULKHEAD, 5/8 O'RING FACE SEAL


CASE SKID LOADERS

2000 Models and Older Use FF Series
 Not interchangeable with FEM Series



COUPLER

<u>Part #</u>	<u>Body Size</u>	<u>Thread Type</u>
FF-501-8FP	1/2	FEMALE PIPE, 1/2-14 NPSF
FF-501-10FO	1/2	FEMALE O'RING BOSS, 7/8-14 UNF
HIGH FLOW OPTION		
FF-751-12FP	3/4	FEMALE PIPE, 3/4-14 NPSF
FF-751-12FO	3/4	FEMALE O'RING BOSS, 1 1/16-12 UNF




NIPPLE

<u>Part #</u>	<u>Body Size</u>	<u>Thread Type</u>
FF-502-08FP	1/2	FEMALE PIPE, 1/2-14 NPSF
FF-502-10FO	1/2	FEMALE O'RING BOSS, 7/8-14 UNF
HIGH FLOW OPTION		
FF-752-12FP	3/4	FEMALE PIPE, 3/4-14 NPSF
FF-752-12FO	3/4	FEMALE O'RING BOSS, 1 1/16-12 UNF



CASE & NEW HOLLAND SKID LOADERS

2000-2003 Models



COUPLER


<u>Part #</u>	<u>Body Size</u>	<u>Thread Type</u>
FEM-501-10FO-NL	1/2	FEMALE O'RING BOSS, 7/8-14 UNF



NIPPLE


<u>Part #</u>	<u>Body Size</u>	<u>Thread Type</u>
FEM-502-10FO	1/2	FEMALE O'RING BOSS, 7/8-14 UNF

2004 and Newer Models



COUPLER

<u>Part #</u>	<u>Body Size</u>	<u>Thread Type</u>
FEM-501-10BMF-NL	1/2	BULKHEAD, 5/8" FLARE FITTING





NIPPLE

<u>Part #</u>	<u>Body Size</u>	<u>Thread Type</u>
FEM-502-10BMF	1/2	BULKHEAD, 5/8" FLARE FITTING


GEHL SKID LOADERS


2004 and Older Models

	COUPLER						
<table border="0" style="width: 100%;"> <tr> <td style="width: 30%;"><u>Part #</u></td> <td style="width: 30%;"><u>Body Size</u></td> <td style="width: 40%;"><u>Thread Type</u></td> </tr> <tr> <td>FEM-501-12FO-NL</td> <td>1/2</td> <td>FEMALE O'RING BOSS, 1 1/16-12 UNF</td> </tr> </table>	<u>Part #</u>	<u>Body Size</u>	<u>Thread Type</u>	FEM-501-12FO-NL	1/2	FEMALE O'RING BOSS, 1 1/16-12 UNF	
<u>Part #</u>	<u>Body Size</u>	<u>Thread Type</u>					
FEM-501-12FO-NL	1/2	FEMALE O'RING BOSS, 1 1/16-12 UNF					

	NIPPLE						
<table border="0" style="width: 100%;"> <tr> <td style="width: 30%;"><u>Part #</u></td> <td style="width: 30%;"><u>Body Size</u></td> <td style="width: 40%;"><u>Thread Type</u></td> </tr> <tr> <td>FEM-502-12FO</td> <td>1/2</td> <td>FEMALE O'RING BOSS, 1 1/16-12 UNF</td> </tr> </table>	<u>Part #</u>	<u>Body Size</u>	<u>Thread Type</u>	FEM-502-12FO	1/2	FEMALE O'RING BOSS, 1 1/16-12 UNF	
<u>Part #</u>	<u>Body Size</u>	<u>Thread Type</u>					
FEM-502-12FO	1/2	FEMALE O'RING BOSS, 1 1/16-12 UNF					

2005 and Newer Models

	COUPLER						
<table border="0" style="width: 100%;"> <tr> <td style="width: 30%;"><u>Part #</u></td> <td style="width: 30%;"><u>Body Size</u></td> <td style="width: 40%;"><u>Thread Type</u></td> </tr> <tr> <td>FEM-501-10BMF-NL</td> <td>1/2</td> <td>BULKHEAD, 5/8" FLARE FITTING</td> </tr> </table>	<u>Part #</u>	<u>Body Size</u>	<u>Thread Type</u>	FEM-501-10BMF-NL	1/2	BULKHEAD, 5/8" FLARE FITTING	
<u>Part #</u>	<u>Body Size</u>	<u>Thread Type</u>					
FEM-501-10BMF-NL	1/2	BULKHEAD, 5/8" FLARE FITTING					

	NIPPLE						
<table border="0" style="width: 100%;"> <tr> <td style="width: 30%;"><u>Part #</u></td> <td style="width: 30%;"><u>Body Size</u></td> <td style="width: 40%;"><u>Thread Type</u></td> </tr> <tr> <td>FEM-502-10BMF</td> <td>1/2</td> <td>BULKHEAD, 5/8" FLARE FITTING</td> </tr> </table>	<u>Part #</u>	<u>Body Size</u>	<u>Thread Type</u>	FEM-502-10BMF	1/2	BULKHEAD, 5/8" FLARE FITTING	
<u>Part #</u>	<u>Body Size</u>	<u>Thread Type</u>					
FEM-502-10BMF	1/2	BULKHEAD, 5/8" FLARE FITTING					

DUST PLUGS AND DUST CAPS FOR SKID LOADERS



FEM SERIES

DUST PLUG RUBBER

<u>Part #</u>	<u>Body Size</u>
FR-25	1/4
NR-50	3/8
FR-501	1/2
FR-751	3/4
FR-1001	1

Dust Plug: Used on Coupler (female half)

Dust Cap: Used on Nipple (male half)

DUST CAP RUBBER

<u>Part #</u>	<u>Body Size</u>
FR-25	1/4
NR-37	3/8
FER-502	1/2
FER-752	3/4

FF SERIES

DUST PLUG RUBBER

<u>Part #</u>	<u>Body Size</u>
FR-25	1/4
NR-50	3/8
FR-501	1/2
FR-751	3/4
FR-1001	1

DUST CAP RUBBER


<u>Part #</u>	<u>Body Size</u>
FR-25	1/4
NR-37	3/8
FR-502	1/2
FR-752	3/4
FR-1002	1







Poppet

61 SERIES

APPLICATIONS: GENERAL PURPOSE, PLASTIC MOLDING, MACHINE TOOL, TEST EQUIPMENT, AGRICULTURE, DEPARTMENT OF TRANSPORTATION, MOBILE HYDRAULICS.

<p>COUPLER FEMALE NPT</p> <p><u>Part #</u></p> <table border="0"> <tr><td>800501000</td><td>1/4"</td></tr> <tr><td>800501002</td><td>3/8"</td></tr> <tr><td>800501004</td><td>1/2"</td></tr> <tr><td>800501006</td><td>3/4"</td></tr> <tr><td>800501008</td><td>1"</td></tr> </table>	800501000	1/4"	800501002	3/8"	800501004	1/2"	800501006	3/4"	800501008	1"		<p>NIPPLE FEMALE NPT</p> <p><u>Part #</u></p> <table border="0"> <tr><td>800501001</td><td>1/4"</td></tr> <tr><td>800501003</td><td>3/8"</td></tr> <tr><td>800501005</td><td>1/2"</td></tr> <tr><td>800501007</td><td>3/4"</td></tr> <tr><td>800501009</td><td>1"</td></tr> </table>	800501001	1/4"	800501003	3/8"	800501005	1/2"	800501007	3/4"	800501009	1"
800501000	1/4"																					
800501002	3/8"																					
800501004	1/2"																					
800501006	3/4"																					
800501008	1"																					
800501001	1/4"																					
800501003	3/8"																					
800501005	1/2"																					
800501007	3/4"																					
800501009	1"																					
<p>DUST PLUGS</p> <p><u>Part #</u></p> <table border="0"> <tr><td>815000012</td><td>1/4"</td></tr> <tr><td>815000014</td><td>3/8"</td></tr> <tr><td>815000004</td><td>1/2"</td></tr> <tr><td>815000016</td><td>3/4"</td></tr> <tr><td>815000018</td><td>1"</td></tr> </table>	815000012	1/4"	815000014	3/8"	815000004	1/2"	815000016	3/4"	815000018	1"	<p>DUST CAPS</p> <p><u>Part #</u></p> <table border="0"> <tr><td>815000013</td><td>1/4"</td></tr> <tr><td>815000015</td><td>3/8"</td></tr> <tr><td>815000005</td><td>1/2"</td></tr> <tr><td>815000017</td><td>3/4"</td></tr> <tr><td>815000019</td><td>1"</td></tr> </table>	815000013	1/4"	815000015	3/8"	815000005	1/2"	815000017	3/4"	815000019	1"	
815000012	1/4"																					
815000014	3/8"																					
815000004	1/2"																					
815000016	3/4"																					
815000018	1"																					
815000013	1/4"																					
815000015	3/8"																					
815000005	1/2"																					
815000017	3/4"																					
815000019	1"																					

72 SERIES

<p>COUPLER FEMALE NPT</p> <p><u>Part #</u></p> <table border="0"> <tr><td>800601002</td><td>1/4"</td></tr> <tr><td>800601004</td><td>3/8"</td></tr> <tr><td>800601006</td><td>1/2"</td></tr> <tr><td>800601008</td><td>3/4"</td></tr> <tr><td>800601010</td><td>1"</td></tr> </table>	800601002	1/4"	800601004	3/8"	800601006	1/2"	800601008	3/4"	800601010	1"	 <p>APPLICATIONS: GENERAL PURPOSE, PLASTIC MOLDING, MACHINE TOOL, TEST EQUIPMENT, TRANSPORTATION, MOBILE EQUIPMENT.</p> 	<p>NIPPLE FEMALE NPT</p> <p><u>Part #</u></p> <table border="0"> <tr><td>800601003</td><td>1/4"</td></tr> <tr><td>800601005</td><td>3/8"</td></tr> <tr><td>800601007</td><td>1/2"</td></tr> <tr><td>800601009</td><td>3/4"</td></tr> <tr><td>800601011</td><td>1"</td></tr> </table>	800601003	1/4"	800601005	3/8"	800601007	1/2"	800601009	3/4"	800601011	1"
800601002	1/4"																					
800601004	3/8"																					
800601006	1/2"																					
800601008	3/4"																					
800601010	1"																					
800601003	1/4"																					
800601005	3/8"																					
800601007	1/2"																					
800601009	3/4"																					
800601011	1"																					
 <p>DUST PLUG</p> <p><u>Part #</u></p> <table border="0"> <tr><td>H2-65M</td><td>1/4"</td></tr> <tr><td>H3-65M</td><td>3/8"</td></tr> <tr><td>H4-65M</td><td>1/2"</td></tr> <tr><td>815000038</td><td>3/4"</td></tr> <tr><td>815000040</td><td>1"</td></tr> </table>	H2-65M	1/4"	H3-65M	3/8"	H4-65M	1/2"	815000038	3/4"	815000040	1"	 <p>DUST CAP</p> <p><u>Part #</u></p> <table border="0"> <tr><td>H2-66M</td><td>1/4"</td></tr> <tr><td>H3-66M</td><td>3/8"</td></tr> <tr><td>H4-66M</td><td>1/2"</td></tr> <tr><td>815000039</td><td>3/4"</td></tr> <tr><td>815000041</td><td>1"</td></tr> </table>	H2-66M	1/4"	H3-66M	3/8"	H4-66M	1/2"	815000039	3/4"	815000041	1"	
H2-65M	1/4"																					
H3-65M	3/8"																					
H4-65M	1/2"																					
815000038	3/4"																					
815000040	1"																					
H2-66M	1/4"																					
H3-66M	3/8"																					
H4-66M	1/2"																					
815000039	3/4"																					
815000041	1"																					

Drybreak

74 SERIES


APPLICATIONS: MOBILE EQUIPMENT, HYDRAULIC HAND TOOLS, AND IN-PLANT HYDRAULICS WHERE A DRYBREAK IS REQUIRED FOR CLEANLINESS.


<p>COUPLER</p> <p><u>Part #</u></p> <table border="0"> <tr><td>800801004</td></tr> <tr><td>800801002</td></tr> </table>	800801004	800801002		<p>NIPPLE</p> <p><u>Part #</u></p> <table border="0"> <tr><td>800801005</td></tr> <tr><td>800801003</td></tr> </table>	800801005	800801003
800801004						
800801002						
800801005						
800801003						
<p>COUPLER DUST CAP</p> <p><u>Part #</u></p> <table border="0"> <tr><td>815100002</td></tr> </table>	815100002	<p>NIPPLE DUST CAP</p> <p><u>Part #</u></p> <table border="0"> <tr><td>815100003</td></tr> </table>	815100003			
815100002						
815100003						

BOBCAT SKID LOADER

2001 and Older Models Use Standard Flat Face Coupler for Skid Steer
 2002 Models and Newer-Not Available


Interchange: Parker FEM Series, Aeroquip FD89
 ISO 16028 Interchange


 Coupler	<u>Part #</u>	<u>Body Size</u>	<u>Port Size</u>	<u>Thread Type</u>
	801301010	1/2	1/2	NPT
	801301012	1/2	3/4	NPT
	801304024	1/2	5/8	SAE

 Nipple	<u>Part #</u>	<u>Body Size</u>	<u>Port Size</u>	<u>Thread Type</u>
	801301009	1/2	1/2	NPT
	801301011	1/2	3/4	NPT
	801304025	1/2	5/8	SAE


CATERPILLAR SKID LOADER


Interchange: Parker FEM Series, Aeroquip FD89
 ISO 16028 Interchange

 Coupler	<u>Part #</u>	<u>Body Size</u>	<u>Port Size</u>	<u>Thread Type</u>
	801304024	1/2	5/8	SAE

 Nipple	<u>Part #</u>	<u>Body Size</u>	<u>Port Size</u>	<u>Thread Type</u>
	801304025	1/2	5/8	SAE

Skid Steer Applications: Custom Ports
 Interchange: Parker FEM Series, Aeroquip FD89
 ISO 16028 Interchange


	<u>Part #</u>	<u>Body Size</u>	<u>Port Size</u>	<u>Thread Type</u>
	803313000	1/2	5/8	ORFS Bulkhead


	<u>Part #</u>	<u>Body Size</u>	<u>Port Size</u>	<u>Thread Type</u>
	801313001	1/2	5/8	ORFS Bulkhead

CASE & NEW HOLLAND SKID LOADERS

2000-2003 Models Use SAE Threads


Interchange: Parker FEM Series, Aeroquip FD89
ISO 16028 Interchange


	<u>Part #</u>	<u>Body Size</u>	<u>Port Size</u>	<u>Thread Type</u>
	801304024	1/2	5/8	SAE

	<u>Part #</u>	<u>Body Size</u>	<u>Port Size</u>	<u>Thread Type</u>
	801304025	1/2	5/8	SAE

2004 and Newer Models Use ORFS Bulkhead Threads

Skid Steer Applications: Custom Ports
Interchange: Parker FEM Series, Aeroquip FD89
ISO 16028 Interchange


	<u>Part #</u>	<u>Body Size</u>	<u>Port Size</u>	<u>Thread Type</u>
	803313000	1/2	5/8	ORFS Bulkhead


	<u>Part #</u>	<u>Body Size</u>	<u>Port Size</u>	<u>Thread Type</u>
	801313001	1/2	5/8	ORFS Bulkhead

GEHL SKID LOADERS

2004 and Older Models use SAE Threads


Interchange: Parker FEM Series, Aeroquip FD89
ISO 16028 Interchange


	<u>Part #</u>	<u>Body Size</u>	<u>Port Size</u>	<u>Thread Type</u>
	801304010	1/2	3/4	SAE

	<u>Part #</u>	<u>Body Size</u>	<u>Port Size</u>	<u>Thread Type</u>
	801304009	1/2	3/4	SAE

2005 and Newer Models Use ORFS Bulkhead Threads

Skid Steer Applications: Custom Ports
Interchange: Parker FEM Series, Aeroquip FD89
ISO 16028 Interchange

	<u>Part #</u>	<u>Body Size</u>	<u>Port Size</u>	<u>Thread Type</u>
	803306000	1/2	5/8	JIC Bulkhead

	<u>Part #</u>	<u>Body Size</u>	<u>Port Size</u>	<u>Thread Type</u>
	801306017	1/2	5/8	JIC Bulkhead

EMAIL: SALES@CLARKSONPOWERFLOW.COM

AIR QUICK DISCONNECT

1/4 INDUSTRIAL

STEEL COUPLER

<u>Part #</u>	<u>Description</u>
C20	1/4" COUPLER X 1/4" FEMALE NPT
C20-23	1/4" COUPLER X 3/8" FEMALE NPT
C20-44	1/4" COUPLER X 3/8" HOSE BARB
C21	1/4" COUPLER X 1/4" MALE NPT

BRASS COUPLER

C20B	1/4" COUPLER X 1/4" FEMALE NPT
C20-23B	1/4" COUPLER X 3/8" FEMALE NPT
C21B	1/4" COUPLER X 1/4" MALE NPT

STEEL PLUG

CP21	1/4" PLUG X 1/4" MALE NPT
CP20	1/4" PLUG X 1/4" FEMALE NPT
CP21-42	1/4" PLUG X 1/4" HOSE BARB
CP21-44	1/4" PLUG X 3/8" HOSE BARB

BRASS PLUG

CP21B	1/4" PLUG X 1/4" MALE NPT
-------	---------------------------

3/8 INDUSTRIAL

STEEL COUPLER

<u>Part #</u>	<u>Description</u>
C25	3/8" COUPLER X 3/8" MALE NPT
C26	3/8" COUPLER X 3/8" FEMALE NPT

STEEL PLUG

CP25-2	3/8" PLUG X 1/4" MALE NPT
CP25	3/8" PLUG X 3/8" MALE NPT
CP26	3/8" PLUG X 3/8" FEMALE NPT

1/2 INDUSTRIAL

STEEL COUPLER

C10	1/2" COUPLER X 1/2" FEMALE NPT
C10-45	1/2" COUPLER X 1/2" HOSE BARB

STEEL PLUG

CP17	1/2" PLUG X 1/2" MALE NPT
CP17-45	1/2" PLUG X 1/2" HOSE BARB
CP10	1.2" PLUG X 1/2" FEMALE NPT

Maximum working pressure 300 PSI

EMAIL: SALES@CLARKSONPOWERFLOW.COM

AIR QUICK DISCONNECT

STRAIGHT-THRU

These couplers and plugs have no valves. Smooth straight-thru bore allows maximum flow. Excellent for carpet cleaners, vacuum service and pressure washers. For pressure ratings use table below. Interchanges with Parker ST type.

Straight-Thru Pressure Specifications (in PSI).				
Body	1/8"	1/4"	3/8"	1/2"
Brass	2500	5200	2700	2200
Steel	2600	5500	3500	2700



BRASS COUPLER

<u>Part #</u>	<u>Description</u>
CST6B	3/8" FEMALE NPT



BRASS PLUG

CPST6B	3/8" MALE NPT
CPST5B	3/8" FEMALE NPT



HYDRAULIC FLUID LINE TUBING



STEEL TUBING



<u>Part #</u>	<u>OD Size</u>	<u>Theoretical Burst Pressure</u>
S125W22	1/8" X .028	
S250W20	1/4" X .035	12,600
S250W18	1/4" X .049	17,640
S3125W20	5/16" X .035	10,080
S375W20	3/8" X .035	8,400
S375W18	3/8" X .049	11,760
S375W16	3/8" X .065	15,600
S500W20	1/2" X .035	6,300
S500W18	1/2" X .049	8,820
S500W16	1/2" X .065	11,700
S625W18	5/8" X .049	7,055
S625W16	5/8" X .065	
S625W14	5/8" X .083	
S750W18	3/4" X .049	5,880
S750W16	3/4" X .065	7,800
S750W14	3/4" X .083	
S750W13	3/4" X .095	11,400
S875W14	7/8" X .083	8,535
S1000W16	1" X .065	
S1000W14	1" X .083	
S1000W13	1" X .095	8,550
S1000W12	1" X .109	
S1000W11	1" X .120	12,150
S1250W13	1-1/4" X .095	
S1250W11	1-1/4" X .120	8,640
S1500W13	1-1/2" X .095	
S1500W11	1-1/2" X .120	7,200

STAINLESS STEEL TUBING



<u>PART #</u>	<u>O.D. SIZE</u>
SS250S20	1/4" X .035
SS375W18	3/8" X .049
SS500S20	1/2" X .035
SS500S18	1/2" X .049
SS625W16	5/8" X .065
SS750W18	3/4" X .049
SS750W16	3/4" X .065
SS1000S14	1" X .083

COPPER REFRIGERATION TUBING

<u>PART #</u>	<u>O.D. SIZE</u>
CT125R	1/8"
CT1875R	3/16"
CT250R	1/4"
CT3125R	5/16"
CT375R	3/8"
CT500R	1/2"
CT625R	5/8"
CT750R	3/4"



EMAIL: SALES@CLARKSONPOWERFLOW.COM

HYDRAULIC FLUID LINE TUBING

METRIC TUBING



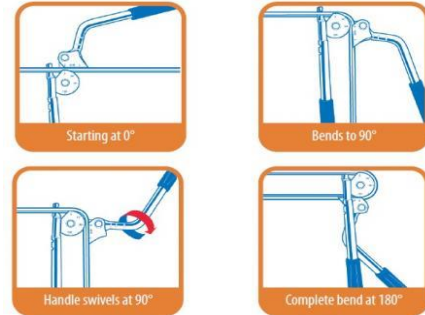
PART #	REFERENCE NUMBER
6MMX2.0	400-121
8MMX2.0	400-171
10MMX2.0	400-221
12MMX2.0	400-271
15MMX2.5	400-381
15MMX3.0	400-391
16MMX3.0	400-441
18MMX2.5	400-481
20MMX2.5	400-521
22MMX2.0	400-561
25MMX2.5	400-611
25MMX3.0	400-621
30MMX3.0	400-721

TUBE BENDERS

364-FHB SWIVEL HANDLE TUBE BENDERS

For 1/4" to 1/2" (6mm to 12mm) O.D. tubing

The patented 364-FHB series has a swivel handle that can be repositioned midway through a bend when both handles meet. This simple feature allows easy fabrication of bends up to 180° with reduced effort, better control and without the crossing of the handles, typical of most other lever type benders.



Part #	Tube O.D. (in.)	Radius To center of Tube(in.)	WEIGHT (lbs.)
364-FHB-04	1/4	9/16	1.0
364-FHB-05	5/16	11/16	1.0
364-FHB-06	3/8	15/16	1.75
364-FHB-07	7/16	1-1/2	3.5
364-FHB-08	1/2	1-1/2	3.5



TUBE CUTTERS

HI-DUTY CUTTERS

TC-1000 For 1/8" to 1-1/8" (4mm to 28mm) O.D. tubing. Includes (2) S75015 general-purpose cutter wheels. Length 5". Wt. 8.8 oz.

TC-1020 Combination tube constrictor & tube cutter. For 1/8" to 1-1/8" (4mm to 28 mm) O.D. tubing. Includes S76637 constrictor wheel and S75015 general-purpose cutter wheel. Length 5-1/2". Wt. 8.8 oz.

S75015 General-purpose cutter wheel

S75046 Wheel for continuous cutting of stainless steel, monel and other hard temper tubing. For cutter TC-1000.



TC-1000

<p>FLARE CUT-OFF GROOVE Groove in rollers reduces tube loss when cracked flare is removed.</p>	<p>FOLDAWAY REAMER Hardened steel reamer with turned cutting edge removes inside burrs cleanly. Filing surface removes outside burrs.</p>	<p>SPARE CUTTING WHEEL Spare cutter wheel carried under foldaway locking reamer.</p>	<p>TC-1020 TUBE CONSTRICTOR FILL WITH SOLDER Joint is ready for sweating when constricted tube contacts smaller tube. Can be used for crimping applications.</p>
---	--	---	--

CALL FOR CURRENT PRICING

EMAIL: SALES@CLARKSONPOWERFLOW.COM

BETA CLAMPS

STANDARD SERIES



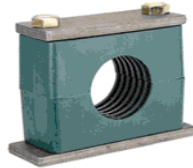
TO BE USED WITH
HYDRAULIC TUBING

TWIN SERIES



<u>Part #</u>	<u>Tube Size</u>	<u>Part #</u>
S-1004-S	1/4"	T-1004-S
S-1006-S	3/8"	T-1006-S
S-2008-S	1/2"	T-2008-S
S-2010-S	5/8"	T-2010-S
S-3012-S	3/4"	T-3012-S
S-3015-S	7/8"	T-3015-S
S-3016-S	1"	T-3016-S
S-5020-S	1 1/4"	T-5020-S
S-5024-S	1 1/2"	T-5024-S
S-6032-S	2"	


HEAVY SERIES



TO BE USED WITH PIPE

<u>Part #</u>	<u>Pipe Size</u>	<u>Clamp ID</u>
H-3007-S	1/8"	0.405
H-3009-S	1/4"	0.540
H-3011-S	3/8"	0.675
H-4014-S	1/2"	0.840
H-4017-S	3/4"	1.050
H-5021-S	1"	1.315
H-5027-S	1 1/4"	1.660
H-6030-S	1 1/2"	1.900
H-6038-S	2"	2.375

THERMOPLASTIC TUBING

NYLON TUBING	PLASTIC TUBE SHEAR	POLYETHYLENE TUBING	
<p><u>Part #</u></p> <p>22-N N</p> <p>22-N-BK</p> <p>33-N N</p> <p>33-N BK</p> <p>44-N N</p> <p>44-N BK</p> <p>55-N N</p> <p>55-N BK</p> <p>66-N N</p> <p>66-N BK</p> <p>660-N N</p> <p>660-N BK</p> <p>88-N N</p> <p>88-N BK</p>	<p><u>Part #</u></p> <p>307-FP</p> <p>S8115601</p> <p>blade</p> <p>For 1/16" to 13/16" OD tubing</p> <div style="text-align: center;">  <p>307-FP</p> </div>	<p><u>Part #</u></p> <p>22-P BK</p> <p>22-P N</p> <p>33-P BK</p> <p>33-P N</p> <p>44-P B</p> <p>44-P BK</p> <p>44-P GN</p> <p>44-P GR</p> <p>44-P N</p> <p>44-P O</p> <p>44-P PUR</p> <p>44-P R</p> <p>44-P Y</p> <p>55-P BK</p> <p>55-P N</p> <p>66-P B</p> <p>66-P BK</p>	<p><u>Part #</u></p> <p>66-P GN</p> <p>66-P GR</p> <p>66-P N</p> <p>66-P O</p> <p>66-P PUR</p> <p>66-P R</p> <p>66-P Y</p> <p>88-P BK</p> <p>88-P N</p> <p>Size Range: 1/8" O.D. to 1/2" O.D.</p> <p>Physical Properties: Temperature Range: -40°F to 150°F</p> <p>Maximum Burst Pressure: 600 PSI</p>
<p>Size Range: 1/8" O.D. to 1/2" O.D.</p> <p>Temperature Range: -60°F to 200°F</p> <p>Maximum Burst Pressure: 1000 P.S.I.</p>			

B=Blue, BK=Black, GN=Green, GR=Gray, N=Natural, O=Orange, PUR=Purple, R=red, Y=Yellow




TUBING RACKS

Up to 10 tubes can be held in a compact, orderly manner with these tubing racks. Furnished in black polyethylene. Nos. 14-P, 16-P have grooves for Unistrut P-6000 and P-7000, or similar channel mounting. No 26-P has grooves for Unistrut A-1000 and A-4000, or similar channel mounting.

No. 14-P Tube Rack for 1/4" O.D. tubing. Has lips for fastening rack to a base with screws. Also longitudinal grooves for channel mounting.

No. 16-P Tube Rack for 3/8" O.D. tubing. Lips and grooves.

No. 26-P Tube Rack for 1/2" O.D. tubing. Holds 6 tubes. Lips and grooves.

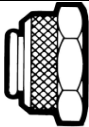
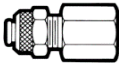
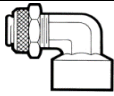
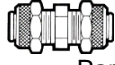
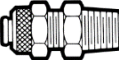
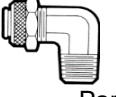
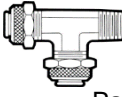

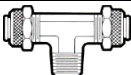


Rack can be cut quickly to size to accommodate from 1 to 10 tubes. Mounting screw holes are molded into each rack and also under each clip.












Part #
14-P-04
16-P-06
26-P-08

BRASS POLY-FLO










 <p>261-P NUT AND PLASTIC SLEEVE</p> <p>Part # 261-P-04 261-P-05 261-P-06 261-P-08</p>	 <p>266-P FEMALE CONNECTOR</p> <p>Part # 266-P-02-02 266-P-03-02 266-P-03-04 266-P-04-02 266-P-04-04 266-P-05-02 266-P-06-04 266-P-06-06 266-P-08-06</p>	<p>268-P CONTINUED</p> <p>Part # 268-P-04-10/32 268-P-05-02 268-P-05-04 268-P-06-02 268-P-06-04 268-P-06-06 268-P-08-06 268-P-08-08</p>	 <p>270-P FEMALE ELBOW</p> <p>Part # 270-P-04-02 270-P-04-04 270-P-06-04 270-P-08-06</p>
 <p>262-P UNION</p> <p>Part # 262-P-02 262-P-03 262-P-04 262-P-05 262-P-06 262-P-08</p>	 <p>268-P MALE CONNECTOR</p> <p>Part # 268-P-02-02 268-P-03-02 268-P-04-01 268-P-04-02 268-P-04-04 268-P-04-06</p>	 <p>269-P MALE ELBOW</p> <p>Part # 269-P-02-02 269-P-04-02 269-P-04-04 269-P-04-06 269-P-05-02 269-P-06-02 269-P-06-04 269-P-06-06 269-P-08-06</p>	 <p>271-P MALE RUN TEE</p> <p>Part # 271-P-02-02 271-P-04-02 271-P-04-04 271-P-06-04 271-P-08-06</p>
 <p>264-P UNION TEE</p> <p>Part # 264-P-02 264-P-03 264-P-04 264-P-05 264-P-06 264-P-08</p>			 <p>272-P MALE BRANCH TEE</p> <p>Part # 272-P-02-02 272-P-04-02 272-P-04-04 272-P-06-04 272-P-08-06</p>

POLY-FLUX KWIK-CONNECT COUPLINGS











 <p>292P TUBE-MPT</p> <p>Part # 292-P-04-02 292-P-04-04 292-P-05-02 292-P-06-04</p>	 <p>294PM INSERT W/O SHUT-OFF BRASS</p> <p>Part # 294-PM-04 294-PM-06 294-PMSS-04 294-PMSS-06</p>	 <p>294PSS SINGLE END SHUT-OFF TUBE-TUBE STAINLESS</p> <p>Part # 294-PSS-04 294-PSS-06</p>	 <p>298PD DOUBLE END SHUT-OFF POLY-MPT BRASS</p> <p>Part # 298-PD-04-02 298-PD-04-04 298-PD-06-04 298-PSSD-04-02 298-PSSD-04-04 298-PSSD-06-04</p>
 <p>294PB BODY ONLY W/SHUT-OFF BRASS</p> <p>Part # 294-PB-04 294-PB-06 294-PBSS-04 294-PBSS-06</p>	 <p>294PMD INSERT W/ SHUT-OFF BRASS</p> <p>Part # 294-PMD-04 294-PMD-06 294-PMSSD-04 294-PMSSD-06</p>	 <p>298P SINGLE END SHUT-OFF POLY-MPT BRASS</p> <p>Part # 298-P-04-02 298-P-04-04 298-P-06-04 298-PSS-04-02 298-PSS-04-04 298-PSS-06-04</p>	 <p>298PT BODY ONLY MPT BRASS</p> <p>Part # 298-PT-04-02 298-PT-04-04 298-PT-06-04</p>
 <p>294PD DOUBLE END SHUT-OFF TUBE-TUBE BRASS</p> <p>Part # 294-PD-04 294-PD-06 294-PSSD-04 294-PSSD-06</p>			

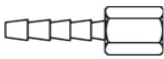
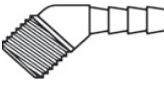

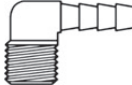

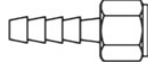
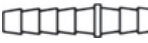
EMAIL: SALES@CLARKSONPOWERFLOW.COM

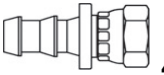
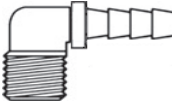


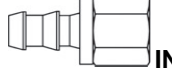
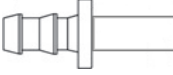

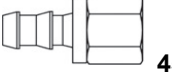
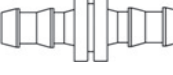
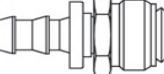
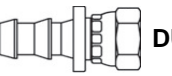

NYLO-SEAL TUBE FITTINGS

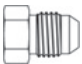

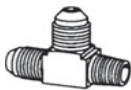


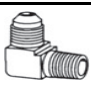

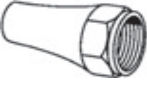
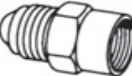
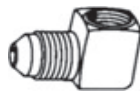
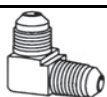
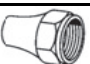
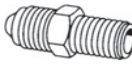

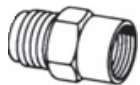

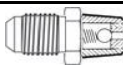
 <p>259-N INSERT Part # 259-N-04 259-N-05 259-N-06 259-N-08</p>	 <p>266-N FEMALE CONNECTOR Part # 266-N-04-02 266-N-04-04 266-N-06-04 266-N-06-06 266-N-08-06</p>	<p>FEATURES: *Good resistance to organic solvents, oils and gasoline. *Good strength at high temperatures. *Longtime weathering resistance. *Good impact resistance. *FDA and NSF listed. *Not recommended for use with ammonium, boric acid calcium, sulfuric acid, or hydro-chloric acid.</p>	<p>269-N CONTINUED Part # 269-N-06-04 269-N-06-06 269-N-08-06 269-N-08-08</p>
 <p>261-N NUT AND SLEEVE Part # 261-N-04 261-N-05 261-N-06 261-N-08</p>	 <p>268-N MALE CONNECTOR Part # 268-N-04-02 268-N-04-04 268-N-05-04 268-N-06-04 268-N-06-06 268-N-08-06 268-N-08-08</p>		 <p>270-N FEMALE ELBOW Part # 270-N-04-02 270-N-04-04 270-N-06-04 270-N-06-06 270-N-08-06</p>
 <p>262-N UNION Part # 262-N-04 262-N-05 262-N-06 262-N-08</p>	 <p>269-N MALE ELBOW Part # 269-N-04-02 269-N-04-04 269-N-05-04</p>	<p>APPLICATIONS: *Cold and hot water applications.</p> <div style="border: 1px solid black; padding: 2px; width: fit-content; margin: 5px auto;"> <p>030.130.120 Natural Nylon</p> </div> <p>All fittings include a gripper ring for a sure grip on tubing</p>	 <p>272-N MALE BRANCH TEE Part # 272-N-04-04 272-N-05-04 272-N-06-04 272-N-06-06 272-N-08-06 272-N-08-08</p>
 <p>264-N UNION TEE Part # 264-N-04 264-N-05 264-N-06 264-N-08</p>	<p>NOTE: With soft tubings like vinyl or Polyethylene an insert should be used.</p>		

PUSH TO CONNECT- NICKEL PLATED

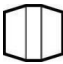
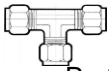
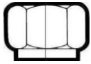
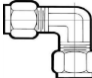

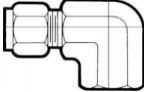

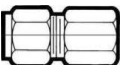
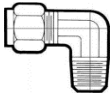
 <p>209-OF PLUG Part # 209-OF-02 209-OF-04 209-OF-05 209-OF-06 209-OF-08 209-OF-5/32</p>	 <p>265-OF UNION ELBOW Part # 265-OF-02 265-OF-04 265-OF-06 265-OF-08 265-OF-5/32</p>	 <p>269-OFS SWIVEL MALE ELBOW Part # 269-OFS-02-02 269-OFS-04-02 269-OFS-04-04 269-OFS-05-02 269-OFS-05-04 269-OFS-06-04 269-OFS-06-06 269-OFS-08-06 269-OFS-08-08 269-OFS-5/32-02 269-OFS-5/32-04</p>	<p>271-OFS CONTINUED Part # 271-OFS-05-02 271-OFS-05-04 271-OFS-06-04 271-OFS-06-06 271-OFS-08-06 271-OFS-08-08 271-OFS-5/32-02</p>
<p>NICKEL-PLATED BRASS O-RING: NBR PRESSURE: 235 PSI TEMPERATURE: 14F-140F</p>	 <p>266-OF FEMALE CONNECTOR Part # 266-OF-04-02 266-OF-04-04 266-OF-05-02 266-OF-05-04 266-OF-06-04 266-OF-06-06 266-OF-5/32-02</p>	 <p>270-OFS FEMALE ELBOW Part # 270-OFS-04-02 270-OFS-04-04 270-OFS-05-04 270-OFS-06-04 270-OFS-06-06 270-OFS-08-06 270-OFS-08-08</p>	 <p>272-OFS SWIVEL TEE Part # 272-OFS-02-02 272-OFS-04-02 272-OFS-04-04 272-OFS-05-02 272-OFS-05-04 272-OFS-06-04 272-OFS-06-06 272-OFS-08-06 272-OFS-08-08 272-OFS-5/32-02</p>
 <p>262-OF UNION Part # 262-OF-02 262-OF-04 262-OF-05 262-OF-06 262-OF-08 262-OF-5/32</p>	 <p>268-OF MALE CONNECTOR Part # 268-MOF-02-10/32 268-OF-02-02 268-OF-04-02 268-OF-04-04 268-OF-05-02 268-OF-05-04 268-OF-06-04 268-OF-06-06 268-OF-08-06 268-OF-08-08 268-OF-5/32-02 268-OF-5/32-04</p>	 <p>271-OFS SWIVEL MALE RUN TEE Part # 271-OFS-02-02 271-OFS-04-02 271-OFS-04-04</p>	 <p>282-OF BULKHEAD UNION Part # 282-OF-02 282-OF-04 282-OF-05 282-OF-06 282-OF-08 282-OF-5/32</p>

BARB HOSE COUPLINGS			
 <p>KF-NL FEMALE SWIVEL</p> <p>Part #</p> <p>KF03-03NL KF03-04NL KF04-04NL KF04-05NL KF05-05NL KF05-06NL KF06-08NL KF08-08NL KF08-10NL KF10-10NL</p>	<p>KF-PS CONTINUED</p> <p>Part #</p> <p>KF08-04PS KF08-06PS KF08-08PS KF08-12PS KF10-04PS KF10-06PS KF10-08PS KF10-12PS KF12-08PS KF12-12PS KF16-12PS KF16-16PS</p>	<p>KF-PS90 CONTINUED</p> <p>Part #</p> <p>KF05-02PS90 KF05-04PS90 KF06-02PS90 KF06-04PS90 KF06-06PS90 KF06-08PS90 KF08-04PS90 KF08-06PS90 KF08-08PS90 KF10-06PS90 KF10-08PS90</p>	<p>KF-RM CONTINUED</p> <p>Part #</p> <p>KF05-05RM KF06-06RM KF08-08RM</p>
	<p>KF-PS MALE PIPE</p> <p>Part #</p> <p>KF02-02PS KF03-02PS KF03-04PS KF04-02PS KF04-04PS KF04-06PS KF04-08PS KF05-02PS KF05-04PS KF06-02PS KF06-04PS KF06-08PS KF06-12PS</p>	<p> <p>KF-PS45 MALE PIPE 45° ELBOW</p> <p>Part #</p> <p>KF04-02PS45 KF04-04PS45 KF05-04PS45 KF06-04PS45 KF06-06PS45 KF08-06PS45</p> </p>	<p> <p>KF-PY MALE GARDEN HOSE</p> <p>Part #</p> <p>KF08-12PY</p> </p>
	<p> <p>KF-PS90 MALE PIPE 90° ELBOW</p> <p>Part #</p> <p>KF04-02PS90 KF04-04PS90</p> </p>	<p> <p>KF-RY FEMALE SWVL GARDEN HOSE</p> <p>Part #</p> <p>KF08-12RY KF10-12RY KF12-12RY</p> </p>	<p> <p>KF-RV FEMALE BALL SWVL</p> <p>Part #</p> <p>KF03-02RV KF03-04RV KF04-02RV KF04-04RV KF04-06RV KF05-04RV KF06-04RV KF06-06RV KF08-08RV KF12-12RV</p> </p>
		<p> <p>KF-RM HOSE MENDER</p> <p>Part #</p> <p>KF03-03RM KF04-04RM</p> </p>	


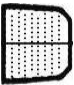

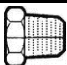
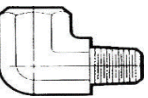
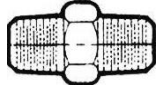



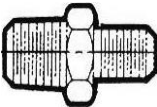
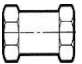
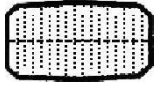
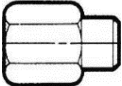
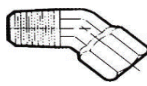
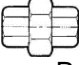
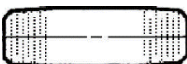
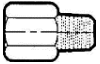
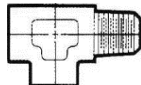

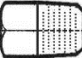
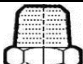
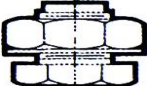
RENEWABLE COUPLINGS			
<p> <p>KA-FA FEMALE 45° SWIVEL</p> <p>Part #</p> <p>KA05-06FA KA06-06FA KA12-12FA</p> </p>	<p>KA-MF CONTINUED</p> <p>Part #</p> <p>KA04-05MF KA05-04MF KA05-05MF KA05-06MF KA06-06MF KA08-08MF</p>	<p> <p>KA-MP90 MALE PIPE ELBOW</p> <p>Part #</p> <p>KA04-04MP90 KA06-04MP90 KA08-08MP90</p> </p>	<p>KA-NL CONTINUED</p> <p>Part #</p> <p>KA06-08NL KA08-08NL KA08-10NL KA10-10NL</p>
<p> <p>KA-FJ FEMALE 37° SWIVEL</p> <p>Part #</p> <p>KA06-06FJ KA12-12FJ</p> </p>	<p> <p>KA-MP MALE PIPE</p> <p>Part #</p> <p>KA04-02MP KA04-04MP KA04-06MP KA05-02MP KA05-04MP KA06-04MP KA06-06MP KA06-08MP KA08-04MP KA08-06MP KA08-08MP KA10-08MP KA12-12MP</p> </p>	<p> <p>KA-NG RIGID INV. FLARE</p> <p>Part #</p> <p>KA04-04NG KA04-05NG KA06-06NG KA08-08NG</p> </p>	<p> <p>KA-RL ID TUBE SHANK</p> <p>Part #</p> <p>KA04-05RL KA06-06RL KA08-08RL</p> </p>
<p> <p>KA-MA MALE 45° SAE</p> <p>Part #</p> <p>KA04-05MA KA08-08MA</p> </p>		<p> <p>KA-RS MALE 45° ELBOW</p> <p>Part #</p> <p>KA06-06RS</p> </p>	<p> <p>KA-RM HOSE SPLICER</p> <p>Part #</p> <p>KA04-04RM KA06-06RM KA08-08RM KA10-10RM KA12-12RM</p> </p>
<p> <p>KA-MF INVERTED SWIVEL</p> <p>Part #</p> <p>KA04-03MF KA04-04MF</p> </p>		<p> <p>KA-NL DUAL SEAT SWIVEL</p> <p>Part #</p> <p>KA04-04NL KA04-05NL</p> </p>	<p> <p>KA-RV MALE 45° ELBOW</p> <p>Part #</p> <p>KA04-06RV</p> </p>

45 DEGREE BRASS FLARE			
 <p>39-F PLUG</p> <p><u>Part #</u> 39-F-03 39-F-04 39-F-05 39-F-06 39-F-08 39-F-10 39-F-12</p>	 <p>44-F UNION TEE</p> <p><u>Part #</u> 44-F-02 44-F-03 44-F-04 44-F-05 44-F-06 44-F-08 44-F-10 44-F-12</p>	<p>48-F CONTINUED</p> <p><u>Part #</u> 48-F-06-02 48-F-06-04 48-F-06-06 48-F-06-08 48-F-06-12 48-F-08-04 48-F-08-06 48-F-08-08 48-F-08-12 48-F-10-04 48-F-10-06 48-F-10-08 48-F-10-12 48-F-12-08 48-F-12-12</p>	 <p>51-F MALE RUN TEE</p> <p><u>Part #</u> 51-F-04-02 51-F-04-04 51-F-04-06 51-F-05-02 51-F-05-04 51-F-06-04 51-F-06-06 51-F-06-08 51-F-08-06 51-F-08-08 51-F-10-08</p>
 <p>40-P CAP</p> <p><u>Part #</u> 40-P-03 40-P-04 40-P-05 40-P-06 40-P-08 40-P-10 40-P-12</p>	 <p>45-F MALE BRANCH TEE</p> <p><u>Part #</u> 45-F-04-02 45-F-04-04 45-F-05-04 45-F-06-04 45-F-06-06 45-F-08-06 45-F-08-08 45-F-10-08 45-F-12-08</p>	 <p>49-F MALE ELBOW</p> <p><u>Part #</u> 49-F-02-02 49-F-03-02 49-F-04-02 49-F-04-04 49-F-04-06 49-F-05-02 49-F-05-04 49-F-05-06 49-F-06-02 49-F-06-04 49-F-06-06 49-F-06-08 49-F-08-04 49-F-08-06 49-F-08-08 49-F-08-12 49-F-10-06 49-F-10-08 49-F-10-12 49-F-12-08 49-F-12-12</p>	 <p>54-F 45° ELBOW</p> <p><u>Part #</u> 54-F-03-02 54-F-04-02 54-F-04-04 54-F-05-02 54-F-05-04 54-F-06-04 54-F-06-06 54-F-06-08 54-F-08-06 54-F-10-08 54-F-12-08 54-F-12-12</p>
 <p>41-F LONG UNION NUT</p> <p><u>Part #</u> 41-F-02 41-F-03 41-F-04 41-F-05 41-F-06 41-F-08 41-F-10 41-F-12</p>	 <p>46-F FEMALE CONNECTOR</p> <p><u>Part #</u> 46-F-03-02 46-F-04-02 46-F-04-04 46-F-04-06 46-F-05-02 46-F-05-04 46-F-06-02 46-F-06-04 46-F-06-06 46-F-06-08 46-F-08-04 46-F-08-06 46-F-08-08 46-F-10-06 46-F-10-08 46-F-12-12</p>	 <p>50-F FEMALE ELBOW</p> <p><u>Part #</u> 50-F-04-02 50-F-04-04 50-F-05-04 50-F-06-02 50-F-06-04 50-F-06-06 50-F-06-08 50-F-08-06 50-F-08-08 50-F-10-08 50-F-10-12 50-F-12-08</p>	 <p>55-F UNION ELBOW</p> <p><u>Part #</u> 55-F-04 55-F-05 55-F-06 55-F-08 55-F-10 55-F-12</p>
 <p>41-FS SHORT NUT</p> <p><u>Part #</u> 41-FS-02 41-FS-03 41-FS-04 41-FS-05 41-FS-06 41-FS-07 41-FS-08 41-FS-10 41-FS-12</p>	 <p>48-F MALE CONNECTOR</p> <p><u>Part #</u> 48-F-02-02 48-F-03-02 48-F-04-02 48-F-04-04 48-F-04-06 48-F-04-08 48-F-05-02 48-F-05-04 48-F-05-06</p>	 <p>625-F FLARE GASKET</p> <p><u>Part #</u> 625-F-04 625-F-06 625-F-08</p>	 <p>664-F FEMALE X MALE PIPE</p> <p><u>Part #</u> 664-F-08-06 664-F-08-08</p>
 <p>42-F UNION</p> <p><u>Part #</u> 42-F-04 42-F-06 42-F-08 42-F-10 42-F-12</p>	 <p>43-F BALL CHECK</p> <p><u>Part #</u> 43-F-04-02 43-F-06-04</p>		

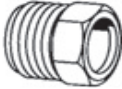
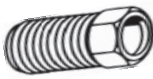
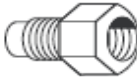
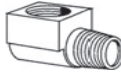

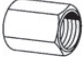
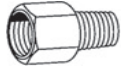

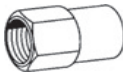
BRASS COMPRESSION FITTINGS

 <p>60F SLEEVE</p> <p>Part #</p> <p>60F02 60F03 60F04 60F05 60F06 60F07 60F08 60F10 60F12</p>	 <p>64F TEE</p> <p>Part #</p> <p>64F02 64F03 64F04 64F05 64F06 64F08 64F10 64F12</p>	<p>66F CONTINUED</p> <p>Part #</p> <p>66F08X06 66F08X08 66F10X08 66F12X12</p>	<p>69F CONTINUED</p> <p>Part #</p> <p>69F03X04 69F04X02 69F04X04 69F04X06 69F04X08 69F05X02 69F05X04 69F06X02 69F06X04 69F06X06 69F06X08 69F06X12 69F08X04 69F08X06 69F08X08 69F08X12 69F10X08 69F10X12 69F12X12</p>
 <p>61F NUT</p> <p>Part #</p> <p>61F02 61F03 61F04 61F05 61F06 61F07 61F08 61F10 61F12</p>	 <p>65F ELBOW</p> <p>Part #</p> <p>65F02 65F03 65F04 65F05 65F06 65F08 65F10</p>	 <p>68F MALE CONNECTOR</p> <p>Part #</p> <p>68F02X02 68F03X02 68F03X04 68F04X02 68F04X04 68F04X06 68F05X02 68F05X04 68F06X02 68F06X04 68F06X06 68F06X08 68F08X06 68F08X08 68F08X12 68F10X08 68F10X12 68F12X08 68F12X12</p>	 <p>70F FEMALE ELBOW</p> <p>Part #</p> <p>70F02X02 70F03X02 70F04X02 70F04X04 70F06X04 70F06X06 70F08X06 70F08X08</p>
 <p>62F UNION</p> <p>Part #</p> <p>62F02 62F03 62F04 62F05 62F06 62F08 62F10 62F12</p>	 <p>66F FEMALE CONNECTOR</p> <p>Part #</p> <p>66F02X02 66F03X02 66F04X02 66F04X04 66F05X02 66F05X04 66F06X02 66F06X04 66F06X06 66F06X08</p>	 <p>69F MALE ELBOW</p> <p>Part #</p> <p>69F02X02 69F03X02</p>	

BRASS PIPE

 <p>100-B 90° ELBOW Part # 100-B-02 100-B-04 100-B-06 100-B-08</p>	 <p>109-BCS COUNTER SUNK PLUG Part # 109-BCS-02 109-BCS-04 109-BCS-06 109-BCS-08</p>	<p>113-B CONTINUED Part # 113-B-06-24 113-B-06-32 113-B-06-40 113-B-06-48 113-B-06-56 113-B-06-64 113-B-06-88 113-B-06-96 113-B-08-32 113-B-08-40 113-B-08-48 113-B-08-56</p>	<p>121-B CONTINUED Part # 121-B-04 121-B-06 121-B-08 121-B-12</p>
 <p>101-B TEE Part # 101-B-02 101-B-04 101-B-06 101-B-08 101-B-12</p>	 <p>110-B BUSHING Part # 110-B-04-02 110-B-06-02 110-B-06-04 110-B-08-02 110-B-08-04 110-B-08-06 110-B-12-02 110-B-12-04 110-B-12-06 110-B-12-08 110-B-16-08</p>	 <p>116-B 90° STREET ELBOW Part # 116-B-02 116-B-04 116-B-06 116-B-08 116-B-12</p>	 <p>122-B HEX NIPPLE Part # 122-B-02-02 122-B-04-04 122-B-06-06 122-B-08-08</p>
 <p>102-B CROSS Part # 102-B-02 102-B-04 102-B-06 102-B-08 102-B-12</p>	 <p>111-B LOCK NUT Part # 111-B-02 111-B-04 111-B-06 111-B-08</p>	 <p>117-B PLUG Part # 117-B-02 117-B-04 117-B-06</p>	 <p>123-B REDUCING HEX NIPPLE Part # 123-B-04-02 123-B-06-02 123-B-06-04 123-B-08-06</p>
 <p>103-B COUPLING Part # 103-B-02 103-B-04 103-B-06 103-B-08</p>	 <p>112-B CLOSE NIPPLE Part # 112-B-02 112-B-04 112-B-06 112-B-08</p>	 <p>119-B REDUCER BUSHING Part # 119-B-04-02 119-B-06-02 119-B-06-04 119-B-08-06</p>	 <p>124-B 45° STREET ELBOW Part # 124-B-02 124-B-04 124-B-06 124-B-08</p>
 <p>104-B UNION Part # 104-B-02 104-B-04 104-B-06 104-B-08</p>	 <p>113-B LONG NIPPLE Part # 113-B-02-24 113-B-02-32 113-B-02-40 113-B-02-48 113-B-02-56 113-B-02-64 113-B-02-96 113-B-04-24 113-B-04-32 113-B-04-40 113-B-04-48 113-B-04-56</p>	 <p>120-B ADAPTER Part # 120-B-02-02 120-B-04-02 120-B-04-04 120-B-06-02 120-B-06-04 120-B-06-06 120-B-08-04 120-B-08-06 120-B-08-08</p>	 <p>127-B MALE RUN TEE Part # 127-B-02 127-B-04 127-B-06 127-B-08</p>
 <p>108-B CAP Part # 108-B-02 108-B-04 108-B-06 108-B-08</p>	 <p>109-B PLUG Part # 109-B-02 109-B-04 109-B-06 109-B-08 109-B-12</p>	 <p>121-B HEX PLUG Part # 121-B-02</p>	 <p>129-B BULKHEAD ADAPTER Part # 129-B-02-24 129-B-04-15 129-B-04-24 129-B-06-21 129-B-08-24</p>

INVERTED FLARE FITTINGS

 <p>41-W STEEL NUT</p> <p>Part # 41-W-02 41-W-03 41-W-04 41-W-05 41-W-06 41-W-07 41-W-08 41-W-10 41-W-12</p>	 <p>41-WL STEEL LONG NUT</p> <p>Part # 41-WL-03 41-WL-04</p>	 <p>47-W MALE X FEMALE CONNECTOR</p> <p>Part # 47-W-03-04 47-W-05-04</p>	 <p>49-W MALE 90° ELBOW</p> <p>Part # 49-W-02-02 49-W-03-02 49-W-04-02 49-W-04-04 49-W-05-04 49-W-06-02 49-W-06-04 49-W-06-06 49-W-08-06</p>
 <p>41-WB BRASS NUT</p> <p>Part # 41-WB-02 41-WB-04 41-WB-06 41-WB-08</p>	 <p>42-W UNION</p> <p>Part # 42-W-03 42-W-04 42-W-05 42-W-06 42-W-08</p>	 <p>48-W FEMALE X MALE PIPE</p> <p>Part # 48-W-02-02 48-W-03-02 48-W-04-02 48-W-04-04 48-W-05-02 48-W-05-04 48-W-06-02 48-W-06-04 48-W-06-06 48-W-08-06 48-W-08-08 48-W-10-08</p>	 <p>94-W MALE 45° ELBOW</p> <p>Part # 94-W-03-02 94-W-04-02</p>
	 <p>46-W FEMALE CONNECTOR</p> <p>Part # 46-W-04-02 46-W-05-02</p>		

ARROW PNEUMATICS, INC

STANDARD REGULATOR



**KNOB; PUSH TO LOCK
KNOB; PULL TO ADJUST
BLACK, E COATED ALUMINUM**

PART #	PIPE SIZE	MAX FLOW SCFM
R352	1/4"	50
R353	3/8"	80
R354	1/2"	100

MINIATURE LUBRICATOR



**POLYCARBONATE BOWL
ZINC, BLACK E COATED
MAX. PRESSURE 150 PSIG
OPERATING TEMP RANGE
40°F TO 125°F**

PART #	PIPE SIZE	MAX FLOW SCFM
L181	1/8"	16
L182	1/4"	16

STANDARD LUBRICATOR



**METAL BOWL W/SIGHT
ZINC, BLACK E COATED
MAX. PRESSURE 200 PSIG
OPERATING TEMP RANGE
40°F TO 160°F**

PART #	PIPE SIZE	MAX FLOW SCFM
L352	1/4"	16
L353	3/8"	82
L354	1/2"	142

MINIATURE AIR FILTER



**POLYCARBONATE BOWL
MAX PRESSURE 150 PSIG
OPERATING TEMP RANGE
40°F TO 125°F**

PART #	PIPE SIZE	MAX FLOW SCFM
F300-02	1/4"	27

STANDARD FILTER



**METAL BOWL
ZINC, BLACK E COATED
MAX SUPPLY PRESSURE 250 PSIG
OPERATING TEMP RANGE
40°F TO 160°F**

PART #	PIPE SIZE	MAX FLOW SCFM
F352	1/4"	48
F353	3/8"	75
F354	1/2"	100

MINIATURE REGULATOR



**BONNET
GLASS FILLED NYLON
MAX PRESSURE 250 PSIG
OPERATING TEMP RANGE
40°F TO 120°F**

PART #	PIPE SIZE	MAX FLOW SCFM
R161	1/8"	25
R162	1/4"	25

MIDFLOW REGULATOR



**KNOB; PUSH TO LOCK
KNOB; PULL TO ADJUST
BLACK, E COATED ALUMINUM**

PART #	PIPE SIZE	MAX FLOW SCFM
R376	3/4"	220
R378	1"	250

MINIATURE REGULATOR*



**BONNET
GLASS FILLED NYLON
MAX PRESSURE 250 PSIG
OPERATING TEMP RANGE
40°F TO 120°F**

PART #	PIPE SIZE	MAX FLOW SCFM
R261	1/8"	25
R262	1/4"	25

*Applications: Non-relieving diaphragm can be used on liquid applications

ARROW PNEUMATICS, INC.

NUMBER	PIPE SIZE	COMPONENTS		
		FILTER	REGULATOR	DROP LUBE
33352	1/4"	F352	R352G	L352
33353	3/8"	F353	R353G	L353
33354	1/2"	F354	R354G	L354



NUMBER	PIPE SIZE	COMPONENTS		
		FILTER	REGULATOR	DROP LUBE
7622	1/4"		B742G	



POLYCARBONATE BOWL
MAX PRESSURE 150 PSIG
OPERATING TEMPERATURE RANGE
40°F TO 125°F
KNOB; PUSH TO LOCK, PULL TO ADJUST

MODEL #	PIPE SIZE	MINIATURE FILTER / REGULATOR		
		MAX FLOW SCFM	BOWL CAPACITY	
B742	1/4"	20	1 OZ.	



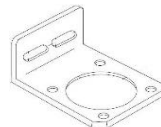
METAL BOWL
ZINC, BLACK E COATED
MAX PRESSURE 200PSIG
OPERATING TEMPERATURE RANGE
40°F TO 160°F

MODEL #	PIPE SIZE	FILTER / REGULATOR / COMBO		
		MAX FLOW SCFM	BOWL CAPACITY	
B752	1/4"	50	5OZ.	



MOUNTING BRACKET FOR TRI-STAR
MIDFLOW AND PRECISION REGULATORS
LISTED BELOW. ALSO CAN BE USED FOR
TRI-STAR FRL COMBINATION UNITS

PART #	MOUNTING BRACKET	USE WITH MODEL #			
		R352	R353	R354	B752
RBK5					



PART #	MINIATURE MOUNTIN BRACKET	USE WITH MODEL #			
		R161	R242	R342	7681
BR1611		R162	R261	R361	7682
		741	742	R262	R362
			7621	7622	

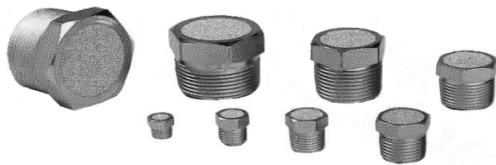
ARROW PNEUMATICS, INC.

PRESSURE GAUGES



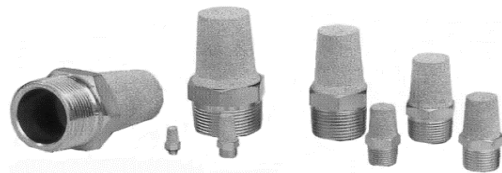
PART #	MOUNTING	PRESSURE	USED ON
1681A	1 1/2" FACE, 1/8" CENTER BACK MOUNT	0-60 PSI	Mini Regulators
1681	1 1/2" FACE, 1/8" CENTER BACK MOUNT	0-160 PSI	and Mini <u>Integral</u>
1481A	2" FACE, 1/4" CENTER BACK MOUNT	0-60 PSI	Tri-Star
1481	2" FACE, 1/4" CENTER BACK MOUNT	0-160 PSI	Tri-Star II High Flow

BREATHER VENTS



PART # NPT	PART # BSP	THREAD SIZE
ASP-1BV	ASP-1BVBS	1/8"
ASP-2BV	ASP-2BVBS	1/4"
ASP-3BV	ASP-3BVBS	3/8"
ASP-4BV	ASP-4BVBS	1/2"
ASP-6BV		3/4"
ASP-8BV		1"

PNEUMATIC EXHAUST MUFFLERS



PART # NPT	PART # BSP	THREAD SIZE
ASP-1	ASP-1BS	1/8"
ASP-2	ASP-2BS	1/4"
ASP-3	ASP-3BS	3/8"
ASP-4	ASP-4BS	1/2"
ASP-6	consult factory	3/4"
ASP-8	consult factory	1"
ASP-10	consult factory	1-1/4"
ASP-12	consult factory	1-1/2"

SPEED CONTROL MUFFLERS



PART #	NPT	MAX ADJ FLOW SCFM
ASP-1SC	1/8"	20
ASP-2SC	1/4"	30
ASP-3SC	3/8"	40
ASP-4SC	1/2"	60
ASP-6SC	3/4"	70

SUPER QUIET FLOW ECONOMY PNEUMATIC SILENCER MUFFLERS



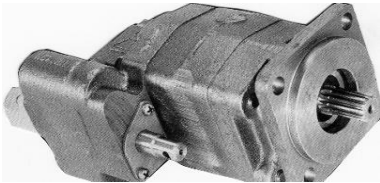
PART #	NPT
SQF-1	1/8"
SQF-2	1/4"
SQF-3	3/8"
SQF-4	1/2"

EMAIL: SALES@CLARKSONPOWERFLOW.COM



CLARKSON POWER FLOW, INC.
2525 BELLEVIEW
KANSAS CITY, MO 64108
PHONE: 816-221-2268 OR 800-397-5915
FAX: 816-221-1437
EMAIL: sales@clarksonpowerflow.com
WEBSITE: www.clarksonpowerflow.com

DUMP BODY



PUMPS
FILTERS
QUICK DISCONNECTS

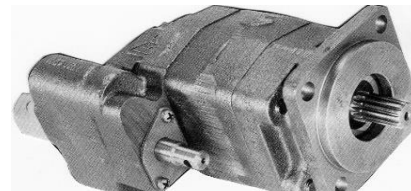
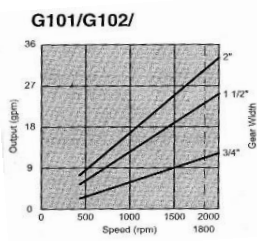


FARM TRUCK & SMALL DUMP TRUCK PUMPS



REMOTE MOUNT
BI-ROTATIONAL 2-1" KEY SHAFT
1-1/4" INLET X 3/4" OUTLET
PART #
G101-1.5
G101.2.0

HG101-XMS-20



DIRECT MOUNT TO PTO CCW
1 1/4" X 3/4" NPT

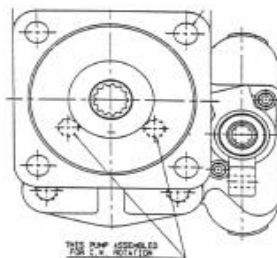
G102-2.0

HG102-LMS-20-4B

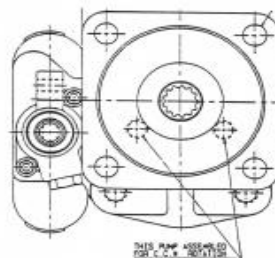
DIRECT MOUNT TO PTO CW
2 BOLT 4" PILOT

G102D-2.0 CW (2B)

HG102-RMS-20-2B



CW ROTATION-BELLY DOWN

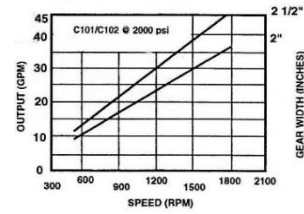


CCW ROTATION- BELLY DOWN

LARGE DUMP TRUCK PUMPS



Typical Performance Data



2-1" DOUBLE SHAFT BI-ROTATIONAL
MANUAL SHIFT

1-1/4" INLET X 1 OUTLET NPT

PART #

C101D-2.0	HC101-XMS-20
C101D-2.5	HC101-XMS-25

DIRECT MOUNT TO PTO CCW
4 BOLT 4" PILOT 7/8-13 SHAFT

C102D-2.0 CCW MANUAL	HC102-LMS-20
----------------------	--------------

DIRECT MOUNT TO PTO CW
4 BOLT 4" PILOT 7/8-13 TOOTH

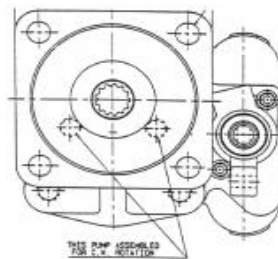
C102-2.5 CW	HC102-RMS-25
-------------	--------------

DIRECT MOUNT TO PTO CCW
4 BOLT 4" PILOT 7/8-13

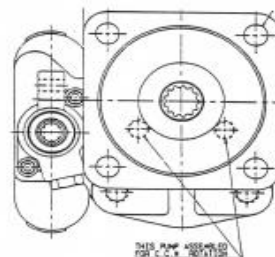
C102D-2.5 CCW (4B)	HC102-LMS-25
--------------------	--------------

AIRSHIFT
DIRECT MOUNT TO PTO
7/8-13 TOOTH 4 BOLT 4" PILOT

C102D-2.5 W/AIR CCW	HC102-LAS-25
C102D-2.5 AIR CW (4B)	HC102-RAS-25



CW ROTATION-BELLY DOWN



CCW ROTATION- BELLY DOWN

AIR SHIFT KITS



AIR BRAKE HOSE & FITTINGS
PART # HF-25
CONSISTING OF
6-PCS 468-F-04-02 &
30' C604 AIR BRAKE HOSE

**AIR SHIFT VALVE - "NO PLUMBING"
FOR G101 & G102**



PART #
C35-05-DM

**AIR SHIFT VALVE - "NO PLUMBING"
FOR C101 & C102**

PART #
C35-08-DM



FOR C101 & C102

DUMP PUMP BRACKETS

PART # PBK-1000

PUMP BRACKET SUPPORT KITS (PBK-1000) ARE DESIGNED TO PREVENT HYDRAULIC PUMPS FROM DISTRIBUTING TOO MUCH HANGING WEIGHT ON THE PTO FLANGE. IT ALSO ASSISTS IN STABILIZING THE YAWING ACTION (TWISTING FORCE) FROM THE PUMP ON START UP AND PUTS LESS STRESS ON THE PTO TRANSMISSION.



PART #
E1042
BRACKET FOR C101
DOUBLE SHAFT PUMP

AIR CONTROLLERS



THE SINGLE CONTROLLER OPERATES THE ENGAGEMENT AND DISENGAGEMENT OF THE PTO

PART #
MPN600008

THE DUAL CONTROLLER OPERATES THE ENGAGEMENT AND THE DISENGAGEMENT OF BOTH THE PTO & THE PUMP. OUR DUAL CONTROLLERS ARE AVAILABLE WITH AND WITHOUT THE KICK-OUT OPTION



PART #
MPN600022

EMAIL: SALES@CLARKSONPOWERFLOW.COM

TROUBLE SHOOTING

IMPROPER OPERATION OF PUMP/VALVE UNIT

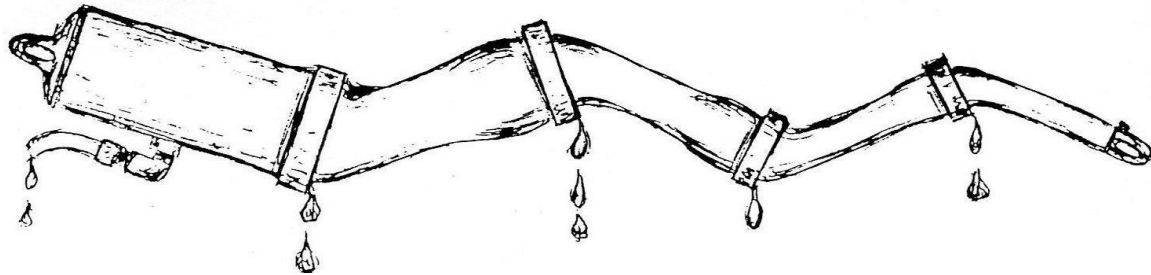
PROBLEM	POSSIBLE CAUSES	REMEDIES
PUMP MAKING NOISES	INSUFFICIENT OIL SUPPLY	CHECK RESERVOIR OIL LEVEL. FILL AS REQUIRED.
	AIR LEAKS AT INLET FITTINGS	TIGHTEN AS REQUIRED
	RESTRICTED OR COLLAPSED INLET HOSE	REMOVE AND INSPECT. REMOVE BLOCKAGE OR REPLACE HOSE AS REQUIRED
	PLUGGED RESERVOIR AIR VENT	CLEAN OR REPLACE BREATHER
	OIL TOO THICK	CHANGE TO LOWER VISCOSITY
	AIR BUBBLES IN THE OIL OR AIR DRAWN IN THROUGH INLET PIPE OPENING	BE SURE SUCTION AND RETURN LINES ARE WELL SUBMERGED IN THE RESERVOIR
PUMP OVER- HEATING	INSUFFICIENT OIL SUPPLY	CHECK RESERVOIR OIL LEVEL. FILL AS REQUIRED.
	ROADING WITH PTO ENGAGED	DISENGAGE PUMP PTO WHEN TRAVELING
	INTERNAL LEAK DUE TO WEAR	REBUILD PUMP AS REQUIRED. CHECK OIL CLEANLINESS, REPLACE IF DIRTY
	OIL TOO THICK	CHANGE TO LOWER VISCOSITY
PUMP LEAKS EXTERNALLY	LEAKING RELIEF VALVE	CHECK FOR WEAR OR CONTAMINANT IN SEAT
	WORN DRIVE SHAFT DUE TO ABRASIVE MATERIAL IN THE OIL	REBUILD PUMP AS REQUIRED. CLEAN RESERVOIR AND REPLACE OIL
	WORN SHAFT SEAL	REPLACE SEALS
	BLOWN OR PINCHED GASKET SEAL	REPLACE SEAL. CHECK TORQUE ON TIE BOLTS (2400 IN./LBS)
PUMP WON'T DELIVER FLUID	WORN OR DAMAGED SPOOL SEAL	REPLACE SEAL
	INSUFFICIENT OIL SUPPLY	CHECK RESERVOIR OIL LEVEL, FILL AS REQUIRED.
	BLOCKED OR COLLAPSED SUCTION LINE	REMOVE AND INSPECT. REPLACE OR REMOVE BLOCKAGE AS REQUIRED
	WRONG DRIVE SHAFT ROTATION	CHECK ROTATION AGAINST INDICATOR AT FRONT OF PUMP
	AIR LEAK IN SUCTION LINE PREVENTING PRIMING	ELIMINATE LEAK
NO PRESSURE IN THE SYSTEM	PUMP WORN DUE TO ABRASIVE MATERIAL IN THE OIL	REBUILD PUMP AS REQUIRED. CLEAN RESERVOIR AND REPLACE OIL
	PUMP NOT DELIVERING FLUID	FOLLOW REMEDIES IN THE FAILURE TO DELIVER SECTION
	RELIEF VALVE SET TOO LOW	CHECK PRESSURE, INCREASE IF REQUIRED
FAILURE TO HOLD A LOAD	RELIEF VALVE LEAKING	CHECK SEAT FOR FOREIGN MATERIAL OR DAMAGE. REPLACE IF REQUIRED.
	VALVE SPOOL NOT IN THE NEUTRAL-HOLD POSITION	CHECK LINKAGE AND ADJUST
	FOREIGN MATERIAL LODGED IN THE HOLDING CHECK OR IN THE RELIEF VALVE SEAT	REMOVE RELIEF VALVE AND CLEAN IT OUT

ALL UNITS ARE TESTED PER THE MANUFACTURER'S SPECIFICATIONS AND REQUIREMENTS. IT IS THE END USER'S RESPONSIBILITY TO ENSURE PROPER ROTATION, ADEQUATE AND CLEAN OIL SUPPLY, AND PROPER RELIEF VALVE SETTINGS. ANY PRE-MATURE UNIT FAILURES DUE TO THE ABOVE MENTIONED VOIDS FACTORY WARRANTY.

CYLINDER REPAIR

****NO CHARGE FOR ESTIMATE****

IS THAT CYLINDER WORTH FIXING



FILTER HEADS

<u>PART #</u>	<u>SIZE</u>	<u>BYPASS</u>	<u>PORTS</u>
CP-751-R	3/4" NPT	25 PSI	
CP-1011-R	1" NPT	25 PSI	1/8" NPT GAUGE PORT
CP-1281-R	1 1/4" NPT	25 PSI	1/8" NPT GAUGE PORT
CP-1581-R	1 1/2" NPT	25 PSI	1/8" NPT GAUGE PORT

RETURN LINE FILTERS

<u>PART #</u>	<u>MICRON</u>	<u>GPM</u>	
CP-752-10	10	30	
CP-752-30	25	40	
CP-1032-10	10	30	
CPL-752-10	10	30	
CPL-752-30	30	40	SAME AS ST6521
CPL-1282-25-50	25	60	SAME AS HF6720 & ST6720
ST6700	3	40	



SUCTION FILTERS

<u>PART #</u>	<u>MESH</u>	<u>GPM</u>	
CP-752-100M	140	40	SAME AS ST6722

CALL FOR PRICING

ECONOMICAL QUICK DISCONNECTS

W - WING NUT COUPLER

<u>PART #</u>	<u>DESCRIPTION</u>
B78C12-12FC	3/4" FEMALE
B78C16-16FC	1" FEMALE
B78C20-20FC	1 1/4" FEMALE
B78C24-24FC	1 1/2" FEMALE



<u>PART #</u>	<u>DESCRIPTION</u>
B78N12-12FC	3/4" MALE
B78N16-16FC	1" MALE
B78N20-20FC	1 1/4" MALE
B78N24-24FC	1 1/2" MALE

<u>CROSSOVER</u>
AEROQUIP 1500
DIXON 7800
FASTER FB
PARKER 6100
PERFECTING W
SAFEWAY S51
SNAPTITE 78
TOMCO A51

CAP/PLUG FOR W - WING NUT

<u>PART #</u>	<u>DESCRIPTION</u>
78DC-12C	3/4" DUST CAP
78DC-16C	1" DUST CAP
78DC-20C	1 1/4" DUST CAP
78DC-24C	1 1/2" DUST CAP

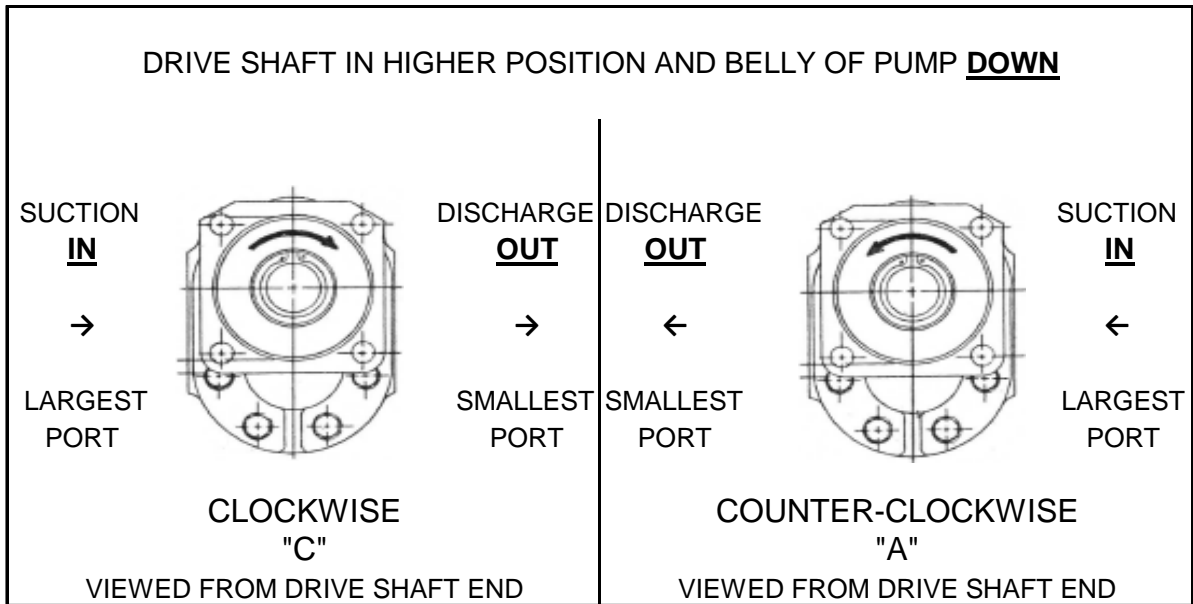
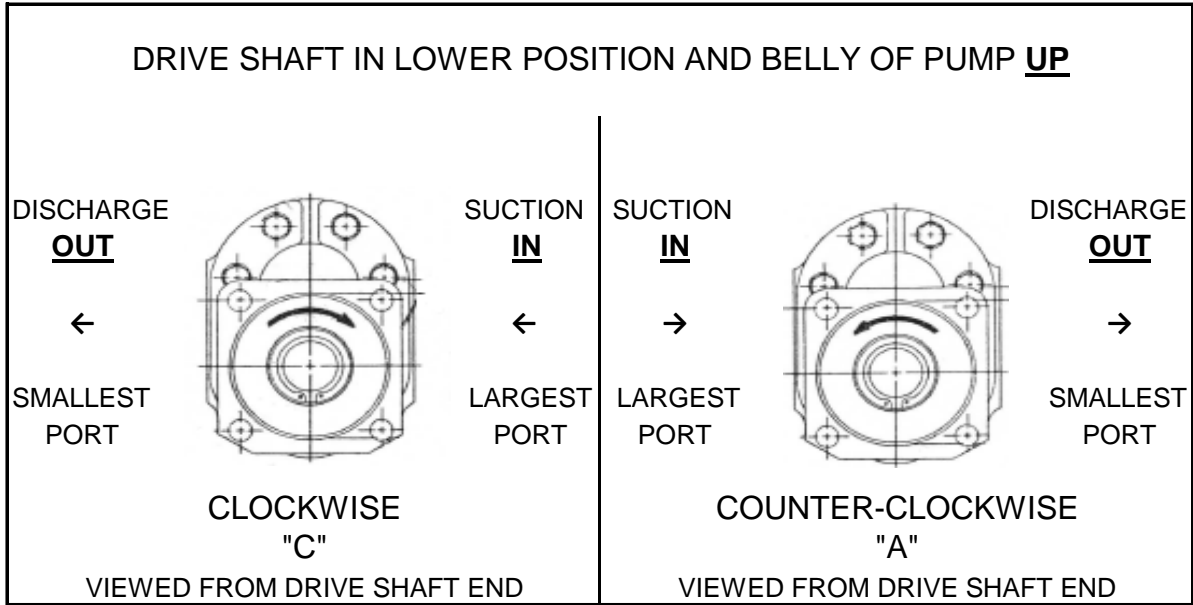
<u>PART #</u>	<u>DESCRIPTION</u>
78DP-12C	3/4" DUST PLUG
78DP-16C	1" DUST PLUG
78DP-20C	1 1/4" DUST PLUG
78DP-24C	1 1/2" DUST PLUG



EMAIL: SALES@CLARKSONPOWERFLOW.COM

HOW TO DETERMINE DIRECTION OF ROTATION

and
LOCATION OF INLET AND DISCHARGE PORT



APPLICATIONS

UTILITY LINE TRUCK
 REFUSE EQUIPMENT
 SNOW CONTROL EQUIPMENT
 LOW BOYS
 LIVE FLOOR TRAILERS



Pump Speed	Gear Width-Output (GPM)				
	1"	1 1/4"	1 1/2"	1 3/4"	2"
900	6.5	8.0	10.0	12.0	13.5
1200	9.0	11.5	14.0	16.0	18.5
1500	11.5	14.5	17.5	20.5	23.5
2100	16.5	21.0	25.0	29.5	34.0

SPECIFICATIONS

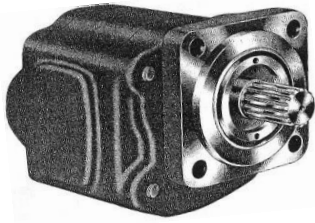
2 OR 4 BOLT 4" PILOT
 7/8-13 TOOTH SHAFT
 DOUBLE ROTATION
 1" X 1" ORING PORTS
 REAR "PORT END"
 WITH SHAFT BEARING

PART #

P20A646JEAB10-25
 P20A646JEAB12-25
 P20A646JEAB15-25
 P20A646JEAB17-25
 P20A646JEAB20-25

P51A646TEYL17-25
 P51A646TEYL20-25

SINGLE STAGE DIGGER MOTOR

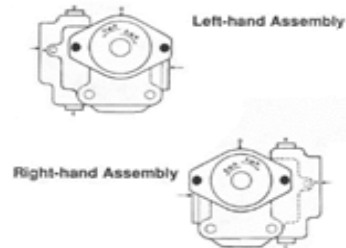
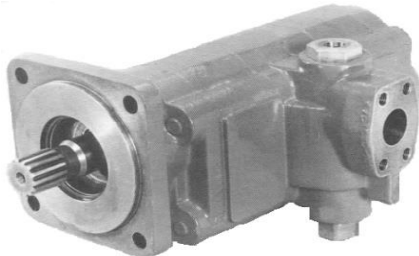


MODEL #

M25X998BEVL15-7	303-9219-826
M25X998BEVL20-7	303-9219-827
M25X998BEVL22-7	391-1801-142
M25X998BEVL25-7	303-9219-821
M25X998GEAB25-7	391-1801-144

MX300-26 SEAL KIT	391-1801-037
CONSISTING OF:	QTY
391-2881-120	1 L3006-26 O RING
391-2882-022	1 K3026-22 POCKET SEAL STRIP
391-2883-096	1 X73-50-3 SEAL
391-2884-021	2 UB3006-244 GASKET SEAL

2-SPEED MOTOR



MODEL #

M50-2 X 2-HIGH	313-9320-490
M50-1 1/4 X 2 1/2 LOW	313-9320-494
M50-1 1/4 X 2 1/2 HIGH	313-9320-495
M50-1 1/2 X 2 1/2 HIGH	313-9320-518
M50-2 X 2 1/2 HIGH	313-9320-554
M50-2 1/2 X 2 1/2 HIGH	313-9320-564

A50M-2SP SEAL KIT	
CONSISTING OF:	QTY
391-2882-051	2 BA3026-2 POCKET SEAL STRIP
391-2883-115	1 X73-50-8 SEAL
391-2884-021	4 UB3006-244 GASKET SEAL

CHELSEA PTO'S

PART #	CHELSEA REPLACEMENT #
HM1K6XBN011RA	442XFAHXV3XK
HM1K6XCA011RA w/Air Shift	442XLAHXAXK
HM1K6XCN011RA	442XLAHXV3XK
HM1K6XEA171RA w/Air Shift	442XQESXA3XK
HM1K6XEN011RA	442XQAHXV3XK
HM1K6XJN173RA	442XRESXV5XK
HM1K6XOC171SE	442XSEXW3XD
HM1K6XOC173RA	442XESXW5XK
HM1K6XS681SE	442X*KNXW3XD
HM2K8XBA011RA w/Air Shift	489XFAHXA3XK
HM2K8X13N011RA	489XEAHXV3XK
HM2K8XBN011SE	489XFAHXV3XD
HM2K8XCA011RA w/Air Shift	489XLAHXA3XK
HM2K8XCN011RA	489XLHXV3XK
HM2K8XCN011SE	489XLAHXV3XD
HM2K8XEA011RA w/Air Shift	489XQAHXA3XK
HM2K8XEN011RA	489XQAHXV3XK
HM2K8XEN011SE	489XQAHXV3XD
HM2K8XJN011RA	489XRHXV3XK
HM2K8XON011SE	489XSAHXV3XD
HM2K8XSN011RA	489X*AHXV3XK

ROLLER BEARING PUMPS

2 OR 4 BOLT 4" PILOT
 7/8-13 TOOTH SHAFT
 DOUBLE ROTATION
 WITH SHAFT BEARING



PART #	REF#	PORTING
P20A646JEAB10-25	HMP21A646JEAB10-25	1X1 ORB REAR
P20A646JEAF12-25	HMP21A646JEAF12-25	1X1 REAR 1X1 SIDE ORB
P20A646JEAF15-25	HMP21A646JEAF15-25	1X1 REAR 1X1 SIDE ORB
P20A646JEAL17-25	HMP21A646JEAL17-25	1X1 REAR 1-1/4"X1-1/4" SIDE NPT
P20A646QUYL17-25	HMP21A646QUYL17-25	1X1 REAR 1-1/4"X1-1/4" NPT
P20A646JEAL20-25	HMP21A646JEAL20-25	1X1 REAR 1-1/4"X1-1/4" SIDE ORB
P20A646QUYL20-25	HMP21A646QUYL20-25	1X1 REAR 1X1 NPT

APPLICATIONS

UTILITY LINE TRUCK
 REFUSE EQUIPMENT
 SNOW CONTROL EQUIPMENT
 LOW BOYS
 LIVE FLOOR TRAILERS
 TOW TRUCKS

CROSSOVER'S AVAILABLE

**WE CAN BUILD OR REPAIR PUMPS AND VALVES . CALL US WITH THE "OEM PART NUMBER"
AND WE WILL CROSSOVER TO THE ORIGINAL PART NUMBER. WE HAVE LISTED ON THE
NEXT 2 PAGES, THE QUANTITY OF OEM UNITS WE CAN CROSSOVER AND PARTS ARE ON
OUR SHELVES.**

<u>COMPANY</u>	<u>QUANTITY</u>
ALAMO GROUP INC. (TX)	40
ALLIED CONSTRUCTION PRODUCTS INC.	7
ALLIED SYSTEMS CO.	34
ATLAS COPCO WAGNER INC.	116
AUGERS UNLIMITED	5
AUTO CRANE CO.	2
BARKO HYDRAULICS. LLC	183
BLOUNT INC. (PRENTICE)	630
BUCYRUS INTERNATIONAL	30
CAMECO INDUSTRIES INC.	110
CATERPILLAR INC.	20
CATERPILLAR PAVING PRODUCTS	50
COMPACTION AMERICA INC.	6
CRANE CARRIER CO.	8
FAIRMONT TAMPER	25
FARMHAND INC.	1
FIAT ALLIS NORTH AMERICA INC.	50
FLEET EQUIPMENT CORP.	5
FONTAINE BODY & HOIST CO.	8
GALBREATH INC.	83
GALION DUMP BODIES, INC.	105
GRADALL CO.	116
GROVE WORLDWIDE	232
HEIL CO.	76
HENDERSON MFG. CO.	13
HIGHWAY EQUIPMENT CO.	25
INGERSOLL RAND CO.	8
IRI INTERNATIONAL	65
J I CASE CO.	1160
J.H. FLETCHER & CO.	186
JLG INDUSTRIES INC.	63
JOHN DEERE CO.	1000
JOY TECHNOLOGIES INC.	2772
KOEHRING CRANE & EXCAVATORS	51
KOMATSO	275
KRAUSE CORP. (KUHN MFG CORP.)	2
LEACH CO.	29
LINK-BELT CRANE	108
LODAL INC.	6
LONG AIRDOX CO.	504
MANITOWOC CRANES	52
MAXON REFUSE PRODUCTS INC.	4
MCCLAIN E-Z PACK	116
MCNEILUS TRUCK & MFG., INC.	35
MI-JACK PRODUCTS	47
MUNCIE POWER PRODUCTS, INC.	214
NACCO MATERIAL HANDLING GROUP, INC.	35

EMAIL: SALES@CLARKSONPOWERFLOW.COM

CROSSOVER'S AVAILABLE

<u>COMPANY</u>	<u>QUANTITY</u>
NATIONAL CRANE	8
NEW HOLLAND BELGIUM NV	30
NEW HOLLAND ITALIA SPA	101
NEW HOLLAND NORTH AMERICA, INC.	45
NORDCO INC.	10
OMNIQUIP INTERNATIONAL, INC.	30
OSHKOSH TRUCK CORP.	36
PAKMOR MFG.	66
PETTIBONE CORP.	6
PINSON TRUCK EQUIPMENT CO.	6
PRECISION HUSKY	7
REEDRILL INC.	54
REICHDRILL INC.	43
REXWORKS INC.	41
SAMSUNG CONSTRUCTION EQUIPMENT	11
SCHRAMM, INC.	68
SHAFFER INC.	37
SHUTTLELIFT INC.	10
SIMONSEN MFG. CO.	17
SISU LOGGING USA, INC.	8
SOLAR TURBINES INC.	98
STAMLER CORP.	7
STANLEY HYDRAULIC TOOLS	6
TARRANT MFG. CO.	4
TAYLOR MACHINE WORKS	128
TIGER CORP.	31
TRENCOR INC.	9
UNIVERSAL HANDLING EQUIPMENT CO.	9
VERMEER MFG. CO.	17
VOLVO CONSTRUCTION EQUIPMENT NORTH AMERICA	310
VULCAN EQUIPMENT CO., INC.	6
WALDON, INC.	9
WARREN MFG. CO., INC.	10

VICKERS

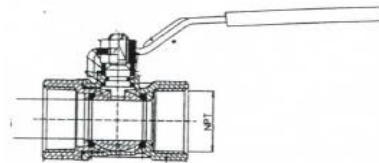
PUMP AND REPLACEMENT PARTS

MOBILE PUMPS

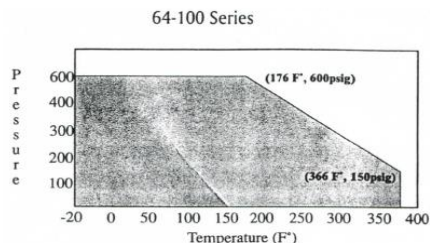
INDUSTRIAL PUMPS



BRASS BALL VALVES



- *Full port
- *Sizes: 1/4" to 4"
- *Pressure rating: 600 psig WOG; 150 psig steam
- *Temperatures to 366°F (185°C)
- *Blowout-proof stem
- *Chrome-plated brass ball
- *PTFE seats and thrust bearing
- *Adjustable PTFE stem packing
- *Secondary O-Ring stem seal



Part Number	Size-NPT
64-101-01	1/4"
64-102-01	3/8"
64-103-01	1/2"
64-104-01	3/4"
64-105-01	1"
64-106-01	1 1/4"
64-107-01	1 1/2"
64-108-01	2"
64-109-01	2 1/2"
64-100-01	3"
64-10A-01	4"

NEEDLE AND FLOW VALVES

TECHNICAL DATA

Materials:	Body:	Carbon steel with black oxide plating
	Handle:	Zinc Alloy
	Set Screw:	Steel
	Packing:	Buna O-Ring/PTFE stem packing
Maximum Pressure:	5000 PSI	
Temperature Range:	-4°F to 176°F (-20°C to 80°C)	

**JP-NV Series
Needle Valves**

	Part #	List
	JP-NV-1/4	86.59
	JP-NV-3/8	97.41
	JP-NV-1/2	108.24
	JP-NV-3/4	124.47
	JP-NV-1	194.82

**JP-FC Series
Flow Control Valves**

	Part #	List
	JP-FC-1/4	97.41
	JP-FC-3/8	108.24
	JP-FC-1/2	121.76
	JP-FC-3/4	140.71
	JP-FC-1	198.18

AIR BREATHERS



CHROME PLATED STEEL
40 MICRON BREATHER

MODEL #	NPT
DB40-04	1/4"
DB40-06	3/8"
DB40-08	1/2"
DB40-12	3/4"
DB40-16	1"

FILTER FILLER BREATHERS



CHROME PLATED CAP
40 MICRON BREATHER
3 1/2" BASKET LENGTH
METAL BASKET

MODEL #

DFB40-03-MB

PILOT-OPERATED RELIEF VALVE

Specifications:

- Input Flow 60GPM (225LPM)
- Max Operate Pressure 5000PSI(350Bar) @ SAE Port
- Operating Temperature -40°C to +95°C (-40°F to 200°F)
- High strength cast iron and high grade steel
- Filtration ISO Code 16/13 SAE Class 4 or better
- Mounting Position In-line. No restriction



Part #	Port Size	Relief Setting
PRV75-A-2500	3/4" NPT	2500PSI Adjustable 500~3500PSI
PRV100-A-2500	1" NPT	2500PSI Adjustable 500~3500PSI
PRV16-A-2500	SAE-16	2500PSI Adjustable 500~3500PSI

2-WAY HIGH PRESSURE BALL VALVE

- Rugged Carbon Steel Construction
- Zinc Chromate Plated
- 1/4" - 2" NPT Sizes and SAE
- Up to 7250 PSI
- Blow-Out Proof Stems
- Various Seal Materials Available
- Full and Reduced Port



Part #		Thread	Full/Reduced	Pressure
BKH-14	GE2-14NPT	1/4 NPT	Full	7250
BKH-38	GE2-38NPT	3/8 NPT	Full	7250
BKH-12	GE2-12NPT	1/2 NPT	Full	7250
BKH-34	GE2-34NPT	3/4 NPT	Full	5800
BKH-1-NPT	GE2-1NPT	1 NPT	Full	5000
BKH-1-1/4	GE2-1-1/4NPT	1-1/4 NPT	Full	5000
BKH-1-1/4R	GE2-1-1/4R-NPT	1-1/4 NPT	Reduced	5000

ID Port 1.26
ID Port .98

3-WAY DIVERTER HIGH PRESSURE BALL VALVE

- Rugged Carbon Steel Construction
- 1/4" - 2" NPT Sizes and SAE
- Up to 5800 PSI
- Blow-Out Proof Stems
- Full and Reduced Port



Part #	Thread	Full/Reduced	Pressure
GE3L-14NPT	1/4 NPT	Full	5800
GE3L-38NPT	3/8 NPT	Full	5800
GE3L-12NPT	1/2 NPT	Full	5800
GE3L-34NPT	3/4 NPT	Full	5000
GE3L-1NPT	1 NPT	Full	5000
GE3L-1-1/4R-NPT	1-1/4 NPT	Reduced	5000

ID Port .98

HYDRAULIC VALVE

PARKER/COMMERCIAL

WE BUILD HYDRAULIC CONTROL VALVES

VA20 VALVE	40GPM	2500PSI
VA35 VALVE	70GPM	2500PSI

PORTS AVAILABLE:
NPT
ORING

VALVES FOR HYDRAULIC CYLINDERS AND MOTOR CONTROLS

MANUAL OR AIR SHIFT

INLETS



OUTLETS



Double-Acting Section
4-Way, 3-Position, Hold in Neutral
Cylinder Spool



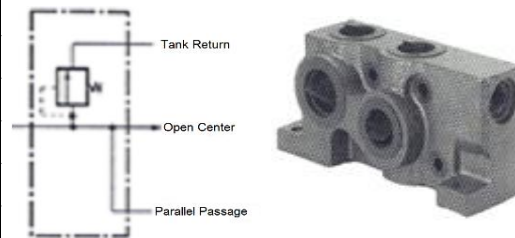
Main R/V pressure range 2001-2500 psi.

DVA20 VALVE

Inlets (2500 psi)

NOTE: Inlets are machined for a main R/V or R/V plug and are furnished with plastic closures.

Code	End Port HP	Top Port HP	End Port LP	Top Port LP
DVA20-A440	1" NPT	1" NPT	N/A	N/A
DVA20-A880	SAE-16	SAE-16	N/A	N/A
DVA20-A000	NON-PORTED HOUSING			
Combination Inlet-Outlet				
DVA20-N4444	1" NPT	1" NPT	1" NPT	1" NPT
DVA20-N8888	SAE-16	SAE-16	SAE-16	SAE-16
DVA20-N0000	NON-PORTED HOUSING			



Schematics shown with main R/V

Mid-section Inlets

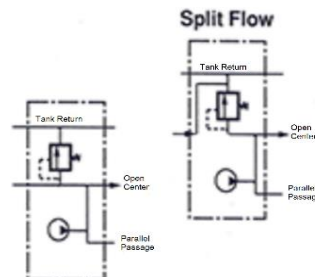
Split Flow

Code	Top Port
DVA20-SFA30	3/4" NPT
DVA20-SFA70	SAE-12
DVA20-SFA00	Non-Ported

Separates primary and secondary pump flows which allows one valve bank to operate like two.

Combined Flow

Code	Top Port
DVA20-CFA30	3/4" NPT
DVA20-CFA70	SAE-12
DVA20-CFA00	Non-Ported



Combined Flow
 Combines primary and secondary pump flows for faster operating speed of downstream functions.
 Schematics shown with main R/V

NOTE: Mid-section inlets are machined for a main R/V or R/V plug and are furnished with plastic closures

Adjustable Relief Valve Cartridges

For Inlets and Mid-section Inlets

Code	Description
DVA20-MRV	Main R/V pressure range 800-2500 psi. Factory set @ 2000 psi @ 30 gpm
DVA20-MRVP	Main relief valve plug

For Code N Combination Inlet / Outlets

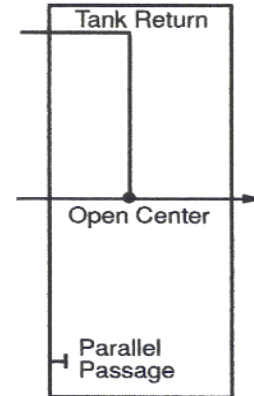
DV-PRVAC	Main R/V, Screw Adj., 500 to 2500 psi
DV-PRV-1	Main R/V, Slug Adj., 500 to 1000 psi
DV-PRV-2	Main R/V, Slug Adj., 1000 to 2500 psi
DV-PRVP	Main R/V, Plug



DVA20 VALVE

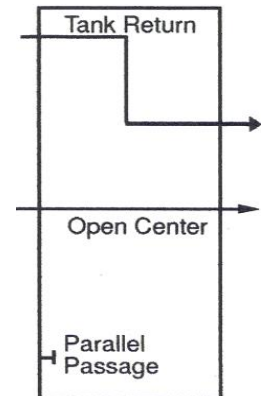
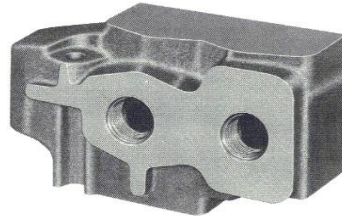
Outlets

Tank Return Type



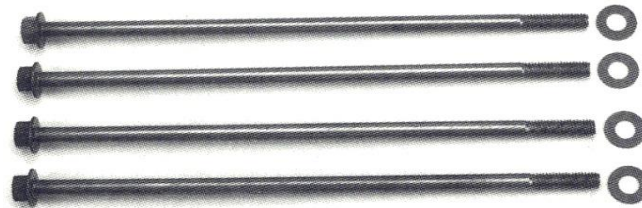
Code	End Port	Top Port
DVA20-TR44	1" NPT	1" NPT
DVA20-TR88	SAE-16	SAE-16
DVA20-TR00	NON-PORTED	

Pressure Beyond Type



Code	End Port LP	End Port HP	Top Port LP	Top Port HP
DVA20-PB44	1" NPT	1" NPT	1" NPT	1" NPT
DVA20-PB80	SAE-16	SAE-16		
DVA20-PB08			SAE-16	SAE-16
DVA20-PB00	Non-Ported Housing			

Stud Kits



Torque to 350 inch pounds

Number of Sections between Inlet and Outlet

Code	1	2	3	4	5	6	7	8
DVA20-	SK-1	SK-2	SK-3	SK-4	SK-5	SK-6	SK-7	SK-8
Code N - Combination Inlet / Outlet Studs								
DVA20-	NSK-1	NSK-2	NSK-3	NSK-4	NSK-5	NSK-6	NSK-7	NSK-8

EMAIL: SALES@CLARKSONPOWERFLOW.COM

DVA20 VALVE

Lo-Boy Work Sections -- Parallel Circuits

Code	4-Way 3-Position Hold in Neutral	3-Way 3-Position Hold in Neutral	4-Way 3-Position Float in Neutral	4-Way 3-Position Float Position Detented	Port Size	Work Port NOT Machined	Spring Return	3-Position Detent	Metered Hydraulic Remote Control	Solenoid Operation	Air Shift
DVA20-DAO	●					●	●				
DVA20-DA3	●				3/4"NPT		●				
DVA20-DA7	●				SAE-12		●				
DVA20-SAO		●				●	●				
DVA20-SA3		●			3/4"NPT		●				
DVA20-SA7		●			SAE-12		●				
DVA20-MAO			●			●	●				
DVA20-MA3			●		3/4"NPT		●				
DVA20-MB3			●		3/4"NPT			●			
DVA20-MA7			●		SAE-12		●				
DVA20-MB7			●		SAE-12			●			
DVA20-FC3				●	3/4"NPT		●				
DVA20-FC7				●	SAE-12		●				
DVA20-DK7-12V	●				SAE-12					●12VDC	
DVA20-DK7-24V	●				SAE-12					●24VDC	
DVA20-DX3	●				3/4"NPT				●		
DVA20-DX7	●				SAE-12				●		
DVA20-DV3	●				3/4"NPT						●
DVA20-DV7	●		●		SAE-12						●
DVA20-MX3					3/4"NPT				●		
DVA20-MX7			●		SAE-12				●		
DVA20-DB3	●				3/4"NPT			●			
DVA20-DB7	●				SAE-12			●			
DVA20-WDA7	●Series				SAE-12		●				
DVA20-WMA7			●Series		SAE-12		●				

Solenoids are furnished with spade connectors

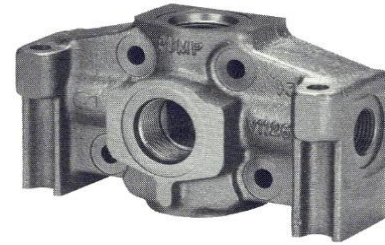
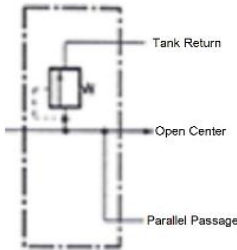
Machining instructions for standard housings are included in solenoid kits.

DVA35 VALVE

Inlets (2500 psi)

End Inlet

Code	End Port	Top Port
DVA35-A440	1" NPT	1" NPT
DVA35-A880	SAE-16	SAE-16
DVA35-A980	SAE-20	SAE-16
DVA35-A000	NON-PORTED	



NOTE: Inlets are machined for a main R/V or R/V plug and are furnished with plastic closures

Schematics shown with main R/V

Mid-section Inlets

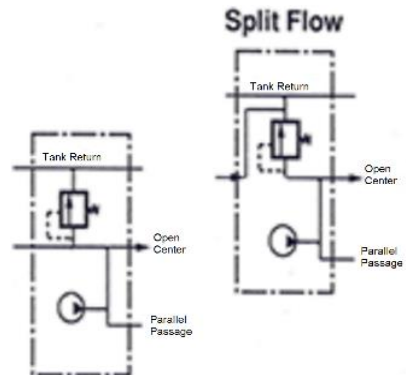
Split Flow

Code	Top Port
DVA35-SFA40	1" NPT
DVA35-SFA80	SAE-16
DVA35-SFA00	Non-Ported

Combined Flow

Code	Top Port
DVA35-CFA40	1" NPT
DVA35-CFA80	SAE-16
DVA35-CFA00	Non-Ported

Separates primary and secondary pump flows which allows one valve bank to operate like two.



Combined Flow

Combines primary and secondary pump flows for faster operating speed of downstream functions.

Schematics shown with main R/V

NOTE: Mid-section inlets are machined for a main R/V or R/V plug and are furnished with plastic closures

Adjustable Relief Valve Cartridges For Inlets and Mid-section Inlets

Code	Description
DVA35-MRV-1	Main R/V pressure range 800-2500 psi. Factory set @ 1500 psi @ 50 gpm
DVA35-MRV-2	Main R/V pressure range 2001-2500 psi. Factory set @ 2500 psi @ 50 gpm
DVA35-MRVP	Main relief valve plug



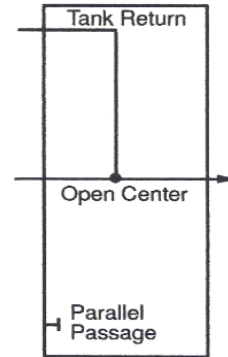
EMAIL: SALES@CLARKSONPOWERFLOW.COM

DVA35 VALVE

Outlets

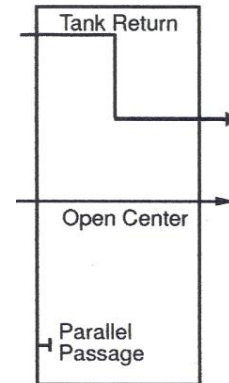
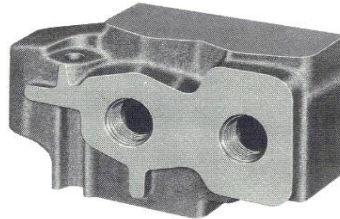
Tank Return Type

Code	End Port	Top Port
DVA35-TR55	1 1/4" NPT	1 1/4" NPT
DVA35-TR99	SAE-20	SAE-20
DVA35-TR00	NON-PORTED	

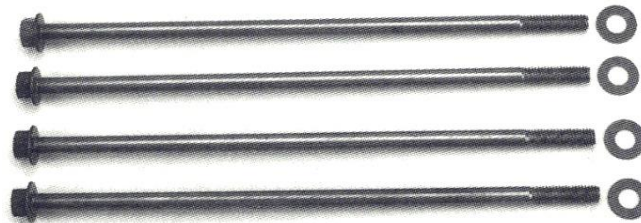


Pressure Beyond Type

Code	End Port LP	End Port HP	Top Port LP	Top Port HP
DVA35-PB55	1 1/4" NPT	1 1/4" NPT	1 1/4" NPT	1 1/4" NPT
DVA35-PB90	SAE-20	SAE-20		
DVA35-PB09			SAE-20	SAE-20
DVA35-PB00	Non-Ported Housing			



Stud Kits



Torque to 400 inch pounds

Number of Sections between Inlet and Outlet

Code	1	2	3	4	5	6	7	8
DVA35-	SK-1	SK-2	SK-3	SK-4	SK-5	SK-6	SK-7	SK-8

DVA35 VALVE

Lo-Boy Work Sections -- Parallel Circuits

Code	4-Way 3-Position Hold in Neutral	3-Way 3-Position Hold in Neutral	4-Way 3-Position Float in Neutral	4-Way 4-Position Float Position Detented	Port Size	Work Port NOT Machined	Spring Return	3-Position Detent	Metered Hydraulic Remote Control	Solenoid Operation	Air Shift
DVA35-DAO	●					●	●				
DVA35-DA4	●				1"NPT		●				
DVA35-DA8	●				SAE-16		●				
DVA35-SAO		●				●	●				
DVA35-SA4		●			1"NPT		●				
DVA35-SA8		●			SAE-16		●				
DVA35-MAO			●			●	●				
DVA35-MA4			●		1"NPT		●				
DVA35-MA8			●		SAE-16		●				
DVA35-DK8-12V	●				SAE-16					●12VDC	
DVA35-DK8-24V	●				SAE-16					●24VDC	
DVA35-DX4	●				1"NPT				●		
DVA35-DX8	●				SAE-16				●		
DVA35-DV4	●				1"NPT						●
DVA35-DV8	●				SAE-16						●
DVA35-MX4			●		1"NPT				●		
DVA35-MX8			●		SAE-16				●		
DVA35-DB4	●				1"NPT			●			
DVA35-DB8	●				SAE-16			●			
DVA35-SB4		●			1"NPT			●			

Solenoids are furnished with spade connectors

Machining instructions for standard housings are included in solenoid kits.

VALVE ACCESSORIES

Handle Assembly

For DVA20/35 and DVG20/35

A=Old Style Handle W/ VA Linkage

VA=New Syle Handle W/ VA Linkage



Lever Strength	6"		8"		10"		Linkage Kits Handle to Valve			
	A	VA	A	VA	A	VA	A to VA	VA to A	VA to VA	A to A
Handle Style	A	VA	A	VA	A	VA	A to VA	VA to A	VA to VA	A to A
Code										
DV20-	H-3	H-6	H-4	H-8	H-5	H-10	HK-1	HK-2	HK-5	HK-7
DV35-	H-3	H-6	H-4	H-8	H-5	H-10	HK-3	HK-4	HK-6	HK-8

Work Section -- Spool Actuation Kits

For DVA20/35 and DVG20/35

Code	Spring Return	3-Position Detent	Rotary Contol	Air Shift	Metering Hydraulic Remote Contol	On / Off Pilot Operated	Single-Ended D.A. Solenoid 12 VDC	Double-Ended D.A. Solenoid 12 VDC	Detent IN Spring Ret'n OUT	Detent OUT Spring Ret'n IN	Single Ended DA Solenoid 24 V
DV20-	K-100	K-101	K-102	K-113	K-109	K-110	K-106	K-111	K-107	K-108	K112
DV35-	K-200	K-201	K-202	K-213	K-209	K-210	K-206	K-211	N/A	N/A	K212

These kits are for LH assemblies ONLY. RH kits are NOT AVAILABLE

Seal Kits

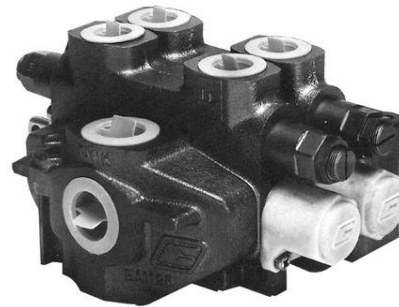
For DVA20/35 and DVG20/35

Code	Work Section Assembly Kit	Work Section Repair Kit	Port R/V Without A/C Seal Kit	Port R/V With A/C Seal Kit	Main R/V Repair Kit	Main R/V Seal Kit
DV20-	K-1	K-2	K-3	K-3-1	K-4	K-5
DV35-	K-11	K-12	K-3	K-3-1	K-14	K-15
Kit Contains	Section Seals	Section, Spool and Check Seals	All Replacement Seals	All Replacement Seals	All Replaceable Seals & Cartridge Body	All Replacement Seals

CROSS REFERENCE TABLE

Parker	Muncie
A20, VA20, VG20,DVA20, DVG20, 25P, V40, V42	60V
A35, VA35, VG35, DVA35, DVG35, V50	90V

Interchangeable with Parker/Commercial 25P, V40, V42, Muncie 60V, 90V



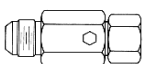
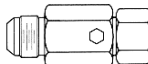
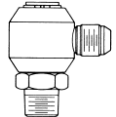
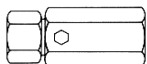

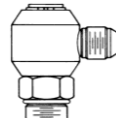
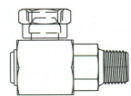
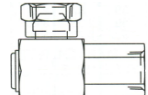
CHECK VALVES - 5 PSI



Body Size	Port Size	Thread Type	Part #
1/4"	1/4"	NPT	810501101
3/8"	3/8"	NPT	810501102
1/2"	1/2"	NPT	810501103
3/4"	3/4"	NPT	810501104
1"	1"	NPT	810501105

Maximum working pressure is 4350 w,p,

STEEL 3000 PSI LIVE SWIVELS

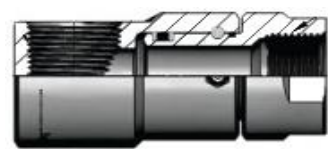
 <p>LV2405 MJ-FP UNION</p> <p><u>Part #</u> LV2405-16-16</p>	 <p>LV2406 MJ-FJX UNION</p> <p><u>Part #</u> LV2406-16-16</p>	 <p>LV2501 IE#59UA MJ-MP ELBOW 90°</p> <p><u>Part #</u> LV2501-04-04 LV2501-06-06 LV2501-08-08 LV2501-12-12 LV2501-16-16</p>	<p>59SK SEAL KIT</p> <p><u>Part #</u> 59SK-04 59SK-06 59SK-08 59SK-12 59SK-16 59SK-20</p> <p>Each kit contains the following: 2 Quad Rings 2 Teflon Back-Up washers 2 Dust seals</p>
 <p>LV5000 FP-FP COUPLING</p> <p><u>Part #</u> LV5000-04-04 LV5000-06-06 LV5000-08-08 LV5000-12-12</p>	 <p>LV5405 IE#59SS MP-FP UNION</p> <p><u>Part #</u> LV5405-04-04 LV5405-06-06 LV5405-08-08 LV5405-12-12 LV5405-16-16</p>	 <p>LV6801 IE#59UB MJ-MOR ELBOW 90°</p> <p><u>Part #</u> LV6801-04-04 LV6801-06-06 LV6801-08-08 LV6801-10-10 LV6801-12-12 LV6801-16-16 LV6801-20-20</p>	
 <p>59UC FPS-MP ELBOW 90°</p> <p><u>Part #</u> 59UC-04-04-04 59UC-06-06-06 59UC-08-08-08 59UC-12-12-12 59UC-16-16-16 59UC-20-20-20</p>	 <p>59UE FPS-FP ELBOW 90°</p> <p><u>Part #</u> 59UE-04-04-04 59UE-06-06-06 59UE-08-08-08 59UE-12-12-12 59UE-16-16-16</p>		

MALE PIPE X FEMALE PIPE



Part #
9SS4MP25XFP25
9SS8MP38XFP38
9SS8MP50XFP50
9SS12MP75XFP75
9SS16MP100XFP100

FEMALE PIPE X FEMALE PIPE



Part #
9SS4FP25XFP25
9SS8FP38XFP38
9SS8FP50XFP50
9SS12FP75XFP75
9SS16FP100XFP100

GAUGES

**HYDRAULIC GAUGE STAINLESS STEEL CASE
2 1/2" DIAL 1/4 NPT GLYCERIN FILLED**



PART #	PRESSURE
CF1P-002-A	0-30 PSI
CF1P-004-A	0-60 PSI
CF1P-007-A	0-100 PSI
CF1P-010-A	0-160 PSI
CF1P-015-A	0-200 PSI
CF1P-020-A	0-300 PSI
CF1P-035-A	0-500 PSI
CF1P-040-A	0-600 PSI
CF1P-070-A	0-1,000 PSI
CF1P-100-A	0-1,500 PSI
CF1P-140-A	0-2,000 PSI
CF1P-210-A	0-3,000 PSI
CF1P-350-A	0-5,000 PSI
CF1P-700-A	0-10,000 PSI
CF1P-800-A	0-15,000 PSI

**HYDRAULIC GAUGE STAINLESS STEEL CASE
2 1/2" DIAL 1/4 NPT GLYCERIN FILLED**



PART #	PRESSURE
CF1P-001-B	0-15 PSI
CF1P-002-B	0-30 PSI
CF1P-004-B	0-60 PSI
CF1P-007-B	0-100 PSI
CF1P-010-B	0-160 PSI
CF1P-015-B	0-200 PSI
CF1P-020-B	0-300 PSI
CF1P-035-B	0-500 PSI
CF1P-040-B	0-600 PSI
CF1P-070-B	0-1,000 PSI
CF1P-100-B	0-1,500 PSI
CF1P-140-B	0-2,000 PSI
CF1P-210-B	0-3,000 PSI
CF1P-350-B	0-5,000 PSI
CF1P-700-B	0-10,000 PSI
CF1P-800-B	0-15,000 PSI

**HYDRAULIC GAUGE STAINLESS STEEL CASE
2 1/2" FRONT FLANGE "E" GLYCERIN FILLED**



PART #	PRESSURE
CF1P-002-E	0-30 PSI
CF1P-004-E	0-60 PSI
CF1P-007-E	0-100 PSI
CF1P-010-E	0-160 PSI
CF1P-015-E	0-200 PSI
CF1P-020-E	0-300 PSI
CF1P-035-E	0-500 PSI
CF1P-040-E	0-600 PSI
CF1P-070-E	0-1,000 PSI
CF1P-100-E	0-1,500 PSI
CF1P-140-E	0-2,000 PSI
CF1P-210-E	0-3,000 PSI
CF1P-350-E	0-5,000 PSI
CF1P-700-E	0-10,000 PSI
CF1P-800-E	0-15,000 PSI



LIQUID FILLED
PART #
CF4POO4D
0-60 PSI
1 1/2" OD 1/8 CBM



DRY
PART #
DCI-20
0-60 PSI
1 1/2" OD 1/8 CBM



Standard and Metric fittings available



P.O. BOX 411897
KANSAS CITY, MO 64141

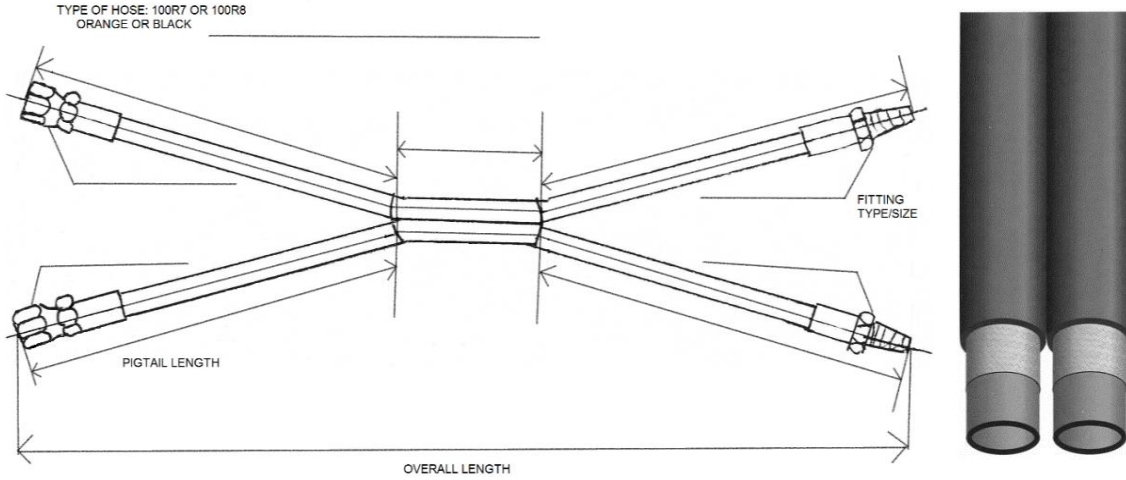
2525 BELLEVIEW
KANSAS CITY, MO 64108

PHONE: 816-221-2268
FAX: 816-221-1437

EMAIL: sales@clarksonpowerflow.com
www.clarksonpowerflow.com

TOLL FREE: 1-800-397-5915

*****WE CAN MAKE TWIN AND QUAD HOSE*****



See page 28

100R7 Hydraulic Hose (Non-Conductive)



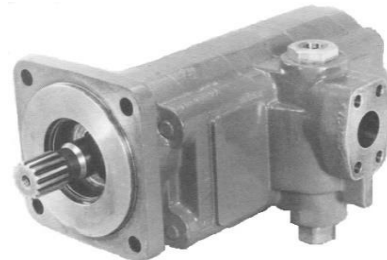
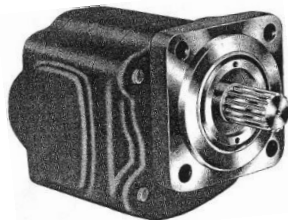
FOR HYDRAULIC TOOLS



See page 65

SINGLE DIGGER MOTOR

2-SPEED MOTOR



See page 108