

SP16T
Chevy V8



TOP1LPT
VW VR6 w/thermo



SP1
non-thermo



SP1TM18
low clearance w/thermo
includes swivel -10AN
banjo male fittings



SP1T
with thermo



MOCAL manufactures the industries widest range of **Sandwich Plate Adaptors**. These devices are designed to be installed between the engine block and oil filter and easily allow engine oil to be circulated for remote oil cooler installations. We can supply sandwich adaptors in all popular oil filter thread configurations (3/4", 5/8", 13/16") SAE and (18mm, 20mm, 22mm) metric sizes for fitment to virtually all engine applications. Mocal Sandwich adaptors are optionally available with built in thermostat (180 degree) which accurately controls oil flow to the cooling device allowing for quick engine warm up plus oil system protection in cold climates. We have even designed special sandwich plate adaptors for unique engine applications like Chevrolet V8, Volkswagen VR6, and tight clearance installations (w/ rotating -10AN banjo oil in/out). Units are made from cast aluminum and are supplied with sealing o-rings and extension screw to match desired filter thread. Most inlet/outlet ports are M22 x 1.5 female thread to designed to receive male/male unions which are available separately.

Standard Models

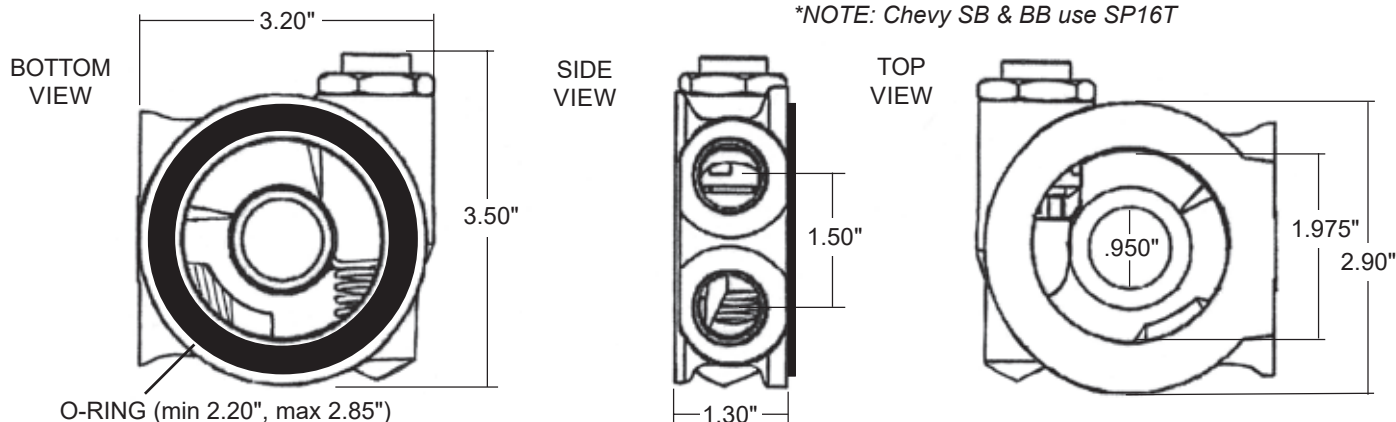
Part	Filter Thread Size	Price
SP1	3/4"-16	\$65.00
SP1A	5/8"-18	\$65.00
SP1E	5/8" UNF	\$65.00
SP1C*	13/16"-16	\$65.00
SP1D	18mm	\$65.00
SP1F	20mm	\$65.00
SP1G	22mm	\$100.00

*NOTE: Chevy SB & BB use SP16

Thermostatic Models

Part	Filter Thread Size	Price
SP1T	3/4"-16	\$115.50
SP1AT	5/8"-18	\$115.50
SP1CT*	13/16"	\$115.50
SP1DT	18mm	\$115.50
SP1FT	20mm	\$115.50
SP1GT	22mm	\$150.00
TOP1LPT	VW VR6	\$165.00
SP1TM18	Optional	\$190.50

*NOTE: Chevy SB & BB use SP16T



Mocal Sandwich Plate Kit with fluid connections

For 2022 our most popular oil cooler sandwich plates are now available with union/adapters for -AN fluid connections. We have added part numbers that include the union/adapter fittings for hose connection in either -8AN or -10AN as a kit, making it easier to purchase as everything is now included. Choose from either a 3/4"-16 or M20 x 1.5 version which covers 90% of vehicle applications. All are best quality component on the market from **MOCAL**, the originators of the thermostatic sandwich plate (35+ years and over a million units in service).

MOCAL sandwich plates install between the engine block and oil filter easily allowing engine oil to be circulated for oil cooler installations. **MOCAL** sandwich plates include a built-in thermostat (180° degree) which accurately controls oil flow to the cooling device allowing for quick engine warm up plus oil system protection in cold climates. Like original equipment quality automotive aluminum parts, **MOCAL** sandwich plates are pressure die cast using A360 aluminum (not cheap pot/white metal). Units are supplied with M22 x -AN male fittings (-8AN or -10AN) sealing o-rings and extension screw (3/4"-16 or M20 -1.5) to match engine oil filter thread. Weight 0.82Lb. with fittings. Made in England.



MOCAL
oil cooler systems



MOCAL
oil cooler systems



MOCAL
oil cooler systems

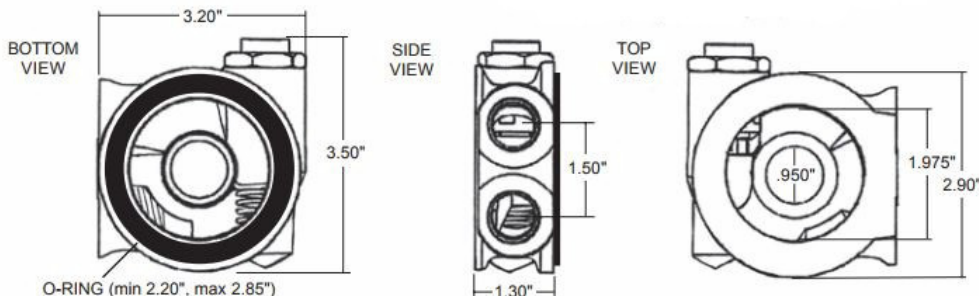


**Thermostatic Sandwich Plate for 3/4"-16 filter
-8AN union/adapters supplied. SP1T-8 \$125.50**

**Thermostatic Sandwich Plate for 3/4"-16 filter
-10AN union/adapters supplied. SP1T-10 \$125.50**

**Thermostatic Sandwich Plate for M20 x 1.5 filter
-8AN union/adapters supplied. SP1FT-8 \$125.50**

**Thermostatic Sandwich Plate for M20 x 1.5 filter
-10AN union/adapters supplied. SP1FT-10 \$125.50**



GM Engine Related Plates

All GM engines except Chevrolet small and big block utilize typical spin on type oil filters which depending on filter thread (see chart) can be fitted with our SP1 type sandwich plates. SBC and BBC type engines require our SP16 type sandwich plates that include a spacer to get the sandwich portion of the plate flush to the block surface. Modern LS series GM engines can be fitted with SP1 type sandwich plates (previous page), except in cases where the filter is made lower than the oil pan, possibly exposing the filter to road hazard damage. We also make a special thermostatic oil control take off for LS engines (A0TGM). This device mounts to the side of the engine replacing the oil pressure sender assembly and leaves the stock filter undisturbed.

Chevy V8 Oil Sandwich Plate

description	part#	price
Sandwich Plate (non-thermo) 13/16" filter thread	SP16	\$85.00

Works with typical Chevrolet small and big block engines. Unit retains stock type 13/16" thread oil filters, lowers filter by 1 1/2". Sandwich plate design rotates 360 degrees. Fluid connections are ORB type -10AN (7/8"-14) inlet/outlet ports, with 2x 1/8" NPT gauge or oil feed taps with plugs included.

Chevy V8 Oil Sandwich Plate w/Thermo

description	part#	price
Sandwich Plate (thermostatic) 13/16" filter thread	SP16T	\$189.50

Revised for 2020; now one piece design. Works with typical Chevrolet small and big block engines. Sandwich plate design rotates 360 degrees; ORB type (22mm x 1.5) inlet/outlet ports available for -8AN, -10AN or -12AN.

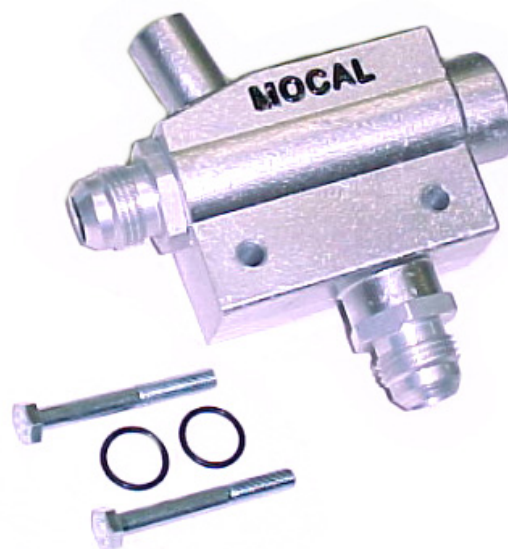


Note: Threaded adaptors are available in -AN, BSP & metric sizes for all components we offer.

GM LS Engine Oil Take-off Plate w/Thermo

application	port thread	part#	price
Chevy LS Engines	M22 x 1.5	A0TGM	\$190.00

The Mocal thermostat incorporates a thermostatic control that automatically regulates oil flow to connected cooling devices and is the answer when installing oil cooling on high performance engines that see street/track use in varying climates and conditions. The thermo simply bolts in place of factory gauge sender and operates by bypassing oil until minimum temperature (200f) are met before sending full oil flow to the cooler(s). Units are threaded for M22 x 1.5 female oring boss fluid connections (included to -10AN) with provision for factory M12 x 1.5 sender; includes required hardware and oring/gaskets.



GM LS Engine Related (continued)

A0TGM Options

Our GM LS type oil cooler take off with thermostat is tapped 22mm x 1.5 and can be fitted with one or two banjos in place of the straight union adaptors. This is particularly helpful in space limited installations. We have had a few customers, either using large tube headers or doing an engine swap, that needed this configuration.

description	part #	price
Banjo -10AN	BJ2210M	\$25.50
Banjo -8AN	BJ228M	\$25.50
Banjo Bolt M22	BJBM22	\$12.95
Seal/Washer*	DS-M22	.90c
*2 required		



GM LS Engine Oil Take-off Plate

application	port thread	part#	price
Chevy LS Engines (-10 AN)		T0PLS	\$99.00

Bolt-on billet oil take off's plate replaces blank plate or gauge sender plate on LS type engines providing fluid connections for oil cooling. Threaded for 7/8"-14 (-10AN) o-ring boss type connections with provision for (2) 1/8" NPT sender or oil feed. Includes hardware & gasket. Fittings for fluid connection are sold separately. Suitable for 97 and later rear sump LS and Vortec Gen 3 & 4 engines. Not for front sump or LSX. Some aftermarket headers can make for a tight fit with hose connections.



Threaded adaptors are available in -AN, BSP & metric sizes for all components we offer.

GM LS Engine Oil Take-off Plate w/Thermo

application	port thread	part#	price
Chevy LS Engines	M22 x 1.5	T0PLS-T	\$180.00

Bolt-on billet oil take off's plate with incorporated 180° thermostat replaces blank plate or gauge sender plate on LS type engines providing fluid connections for oil cooling. Threaded for M22 x 1.5 o-ring boss type connections with provision for (2) 1/8" NPT sender or oil feed. Includes hardware & gasket. Fittings for fluid connection are sold separately. Suitable for 97 and later rear sump LS and Vortec Gen 3 & 4 engines. Not for front sump or LSX. Some aftermarket headers can make for a tight fit with hose connections.



BRZ/FR-S/GT86 Thermostatic Sandwich Plate

Mocal is first to the market with our thermostatic oil cooler sandwich plate kit for new 2.0L Subaru (FA20) powered BRZ/FR-S/GT86 type cars. We have been working with tuners and race teams regarding the need for proper oil cooling on these engines and due to their high revving nature oil temps can reach levels that cause the engine management to reduce performance. Get the most from your standard or modified engine by adding a highly efficient Mocal or Setrab oil cooler and control oil flow with a genuine Mocal thermostatic sandwich plate. Built in thermostat (185 degree) accurately controls oil flow to the cooler allowing for quick engine warm up plus oil system protection in cold climates. Kit for 2.0L (FA20) engine

includes: sandwich plate w/built in thermostat, interlocking 25mm spacer required for proper height/clearance, lengthened 20mm x 1.5 filter extension, large section o-rings. Fluid connections are M22 ORB and available to either -8AN or -10AN.



description	part#	price
Sandwich Plate <i>FA20 engine 20mm oil filter thread</i>	SP1T-FA20	\$180.50
Union M22 X -8AN (each)	M22AN08SE	\$7.90
Union M22 x -10AN (each)	M22AN10-SE	\$7.90
Sandwich Plate Kit <i>Includes (2) M22 x -8 Unions</i>	SP1T-FA20-A8	\$195.00
Sandwich Plate Kit <i>Includes (2) M22 x -10 Unions</i>	SP1T-FA20-A10	\$195.00

NOTE: For use with water to oil coolers, a non thermostatic version of this part is also available as part # SP1-FA20 (\$120.00)




BRZ/FR-S/GT86 Plate w/Banjo Fittings

description	part#	price
Sandwich Plate Kit <i>with -10AN Banjos</i>	SP1T-FA20-B10	\$235.00

Some installations, especially ones with turbo kits on Subaru BRZ/FRS (FA20 engine) might require alternative sandwich options for additional clearance. We have developed this option with banjos fittings that can rotate independently for added versatility.





Threaded adaptors are available in -AN, BSP & metric sizes for all components we offer.

MOCAL USA

MOCAL USA

SP1THF Hi-Flow Thermostatic Sandwich Plate

Hi-Flow Thermostatic Sandwich Plate

The new addition to the **MOCAL** Sandwich plate line is this "Hi-Flow" model. This unit is a recent development for a well known marine engine supplier, and designed to their specification. If any of the features or dimensions make it more desirable than the standard SP1T type plate, it can be used it as an alternative. The most notable feature of this new sandwich plate is its ability to use -16AN plumbing- thus the "High-Flow" designation. Overall it is physically 10% larger than our standard SP1T (internally and externally), uses a redesigned thermo-shuttle assembly, tapped for 22mm (inlet/outlet) ports, and is compatible with larger oil filters. For the price we supply SP1T-HF with your choice of extension screw (3/4", 13/16", 18mm or 20mm) and M22 x (-8AN, -10AN, -12AN or -16AN) unions.



SP1T-HF shown with -16AN Fittings

Hi-Flow Sandwich Plate SP1T-HF \$165.00
price includes (1) sandwich plate, (1) extension screw, (2) male/male unions

Extension
Screw

3/4-16"
13/16"
18mm
20mm

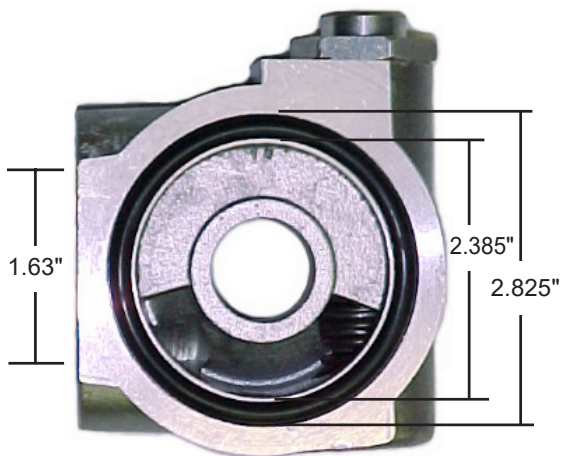


Male x Male
Unions

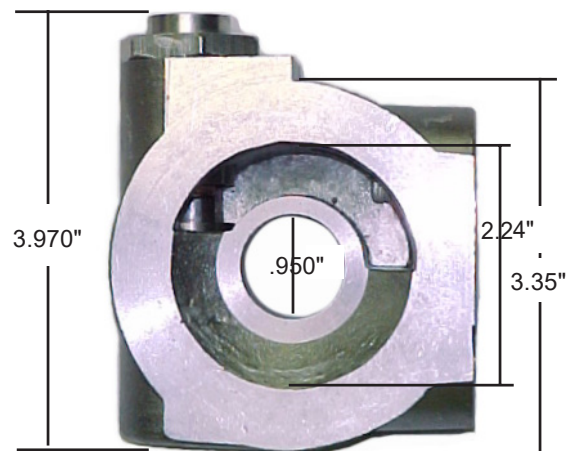
M22 x -8AN
M22 x -10AN
M22 x -12AN
M22 x -16AN



Threaded adaptors are available in -AN, BSP & metric sizes for all components we offer.



Port center to center & O-ring dimensions



max. width, O-ring pad & center bore dimensions



SP2TC Billet Thermostatic Sandwich Plate

Diesel Thermostatic Sandwich Plate

Our standard range of sandwich plates serve most engines with spin-on oil filters generally less than 3". This does not account for many diesel or industrial engine applications where the filter o-rings are in the 3.25" - 3.75" range. With this in mind we have developed a new large format version of our popular engine oil cooler sandwich plate. Our new SP2CT sandwich plate attaches simply to the engine between the oil filter mount and standard filter. It offers a integral 190° bypass type oil thermostat which allows for quick warm up even with large oil coolers in cold climates. The plate is tapped for M22 thread inlet/outlet ports which can support even the most generously sized -16AN hose fittings. Construction is billet aluminum which is strong which still being lightweight. All ports, fittings and flanges are o-ring sealed. There is also a 1/8" NPT port provided (w/plug) for adding a gauge, sensor or additional oil tap. The filter thread is 13/16"-16 which suits GMC Duramax diesel engines. We will be adding other filter options for future applications.



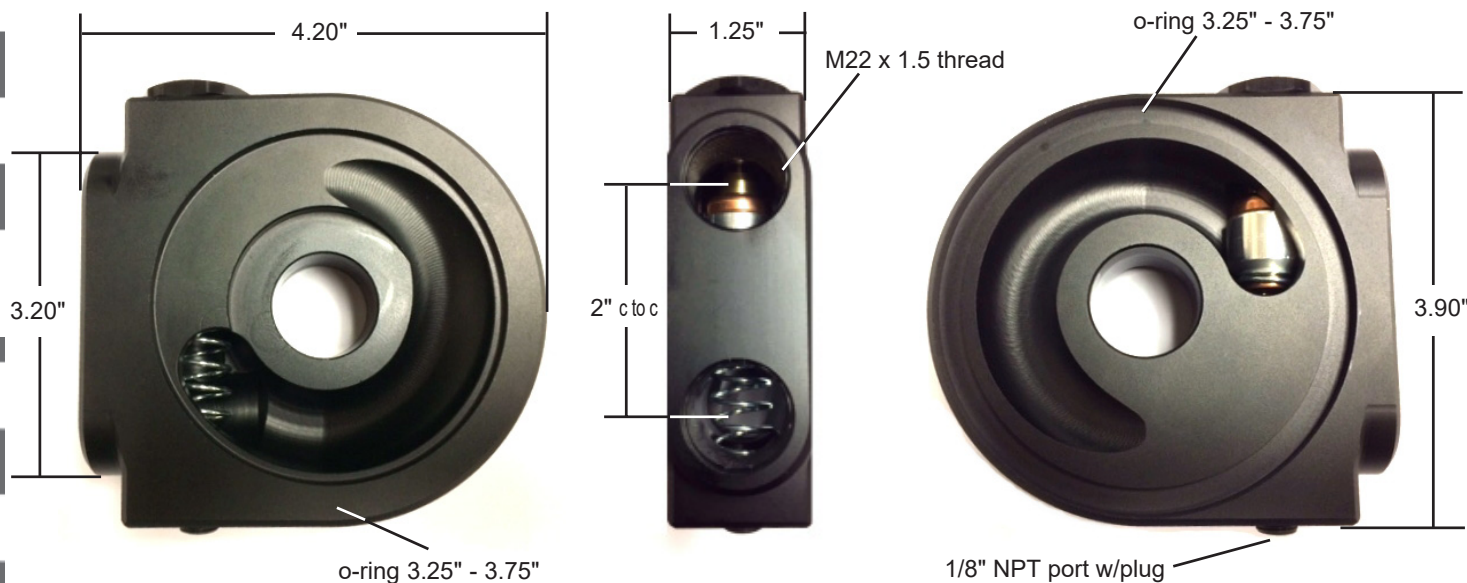
Billet Thermo Sandwich Plate **SP2CT** **\$149.00**
for 13/16"-16 oil filters

Fittings for Above (2) required:

Union M22 x -10AN	M22AN10-SE	\$7.90
Union M22 x -12AN	M22AN12-SE	\$7.90
Union M22 x -16AN	M22AN16-SE	\$9.60

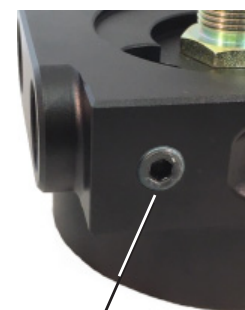


Threaded adaptors are available in -AN, BSP & metric sizes for all components we offer.



Thermo Sandwich Plate Small & Big Block Chevy

Introducing the ultimate thermostatic sandwich plate for small and big block Chevrolet V8's. Mocal's billet aluminum SP16T is a single piece unit with a built-in spacer for a reliable and robust seal against the unique recessed oil filter surface of the SBC and BBC engines. The sandwich plate is installed between the engine block and the oil filter allowing the user to plumb an oil cooler to any SBC or BBC engine and features a built-in 190°F (88°C) thermostat which bypasses the oil cooler until the oil has reached its minimum operating temperature. When used in conjunction with an oil cooler, this results in quicker engine warm-ups and prevents oil viscosity loss in colder conditions. Sandwich plate rotates 360 degrees around the inner extension screw for optimal positioning of adapter fittings



1/8" NPT gauge port w/plug



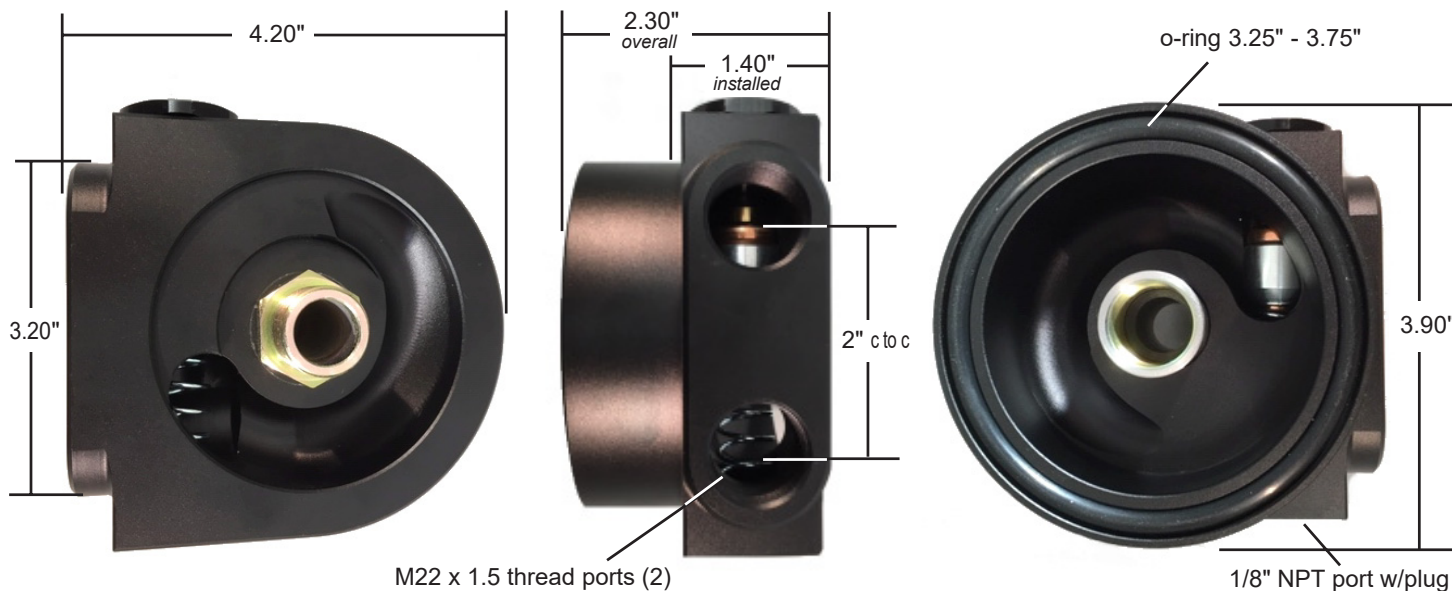
Specifications:

Built-in 190°F (88°C) thermostat; Uses factory equivalent oil filter
 Machined from billet aluminum and hard anodized (Black).
 O-Ring (ORB) fluid connections; (2) female M22x1.5mm ports that adapt easily to -AN -8, -10, or -12; Additional 1/8" NPT gauge/auxiliary port with plug; Designed and made in England; Weight: 1.75 lbs / dimensions below.

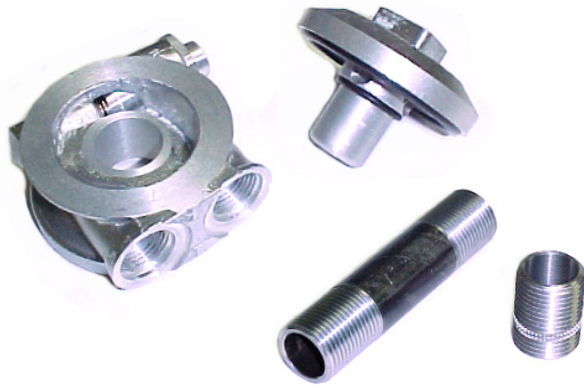
Billet Thermo Sandwich Plate **SP16T** **\$189.50**
for 13/16"-16 oil filters

Fittings for Above (2) required:

Union M22 x -8AN	M22AN8-SE	\$7.90
Union M22 x -10AN	M22AN10-SE	\$7.90
Union M22 x -12AN	M22AN12-SE	\$7.90



VW/AUDI RELATED



VW/Audi VR6 12v, 24v, R32 & Others

The TOP1LPT thermostatic oil take-off plate allows external oil cooling to be added to VR6 type engines. VW/Audi equips most of its engines with a small water to oil heat exchanger located between the engine block and oil filter. As the VR6 engine uses with a canister type oil filter, the factory water/oil heat exchanger is instead located on the front of the engine block retained by a cap that mounts the device to the engine. The Mocal TOP1LPT is designed to fit in this location and thermostatically control oil flow to a remote mounted oil cooler. The TOP1LPT can be installed with the factory heat exchanger in place or deleted; we provide both a long and short length threaded extension for installation.

The TOP1LPT is supplied with both long & short threaded extensions allowing installation with, or without, factory VW heat exchanger.



A version with longer extension is available for engines using larger (thicker) 3" factory heat exchanger.

description	part#	price
VR6 Oil Cooler Take-off w/ thermo	TOP1LPT	\$165.00
VR6-32* Oil Cooler Take-off w/thermo	TOP1LPT-32	\$175.00

**Version with longer extension is available for engines using larger (thicker) 3" factory heat exchanger.*

VW/Audi TSi/FSi

VW/Audi TSi / FSi type engines date from 2006-2014 and come installed in a wide range of VW and Audi vehicles. Unfortunately it gets confusing as there are numerous engine and vehicle codes for this series applications. The correct engine will have the oil filter at the top front corner of the engine, facing up near the alternator and water/oil cooler. The mount for the filter will be aluminum not plastic. The engine will have chain driven camshafts not belt. The stock oil filter on these engines is unique as it uses a male M27 threaded lance to engage a drain back feature. Our sandwich plate is compatible and once installed will permit the use of a more common oil filter in 3/4"-16 like is used on 1.8T type engines.



description	part#	price
VW/Audi Thermo Sandwich Plate TSi	SP1T-FSi	\$150.00

Lotus Elise/Exige Sandwich Plate

Mocal is the original equipment supplier to Lotus for the Toyota 2ZZ-GE engine mounted thermostatic oil cooler sandwich plate used on the Elise and Exige models. If you are in the market for a replacement we can provide these at a reasonable price. Units are complete including 5/8" BSP union adapters for connection to standard oil cooler hoses or optionally 5/8" BSP x -10 adapters are available if you have re-plumbed using -AN size hose and fittings. Filter center bolt and bleed cock are also included.



description	part#	price
Lotus Elise/Exige Thermo Sandwich Plate	SP3L	\$160.00



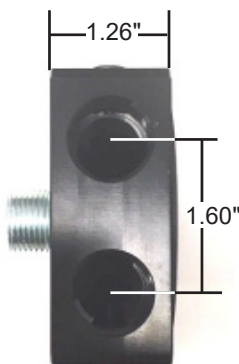
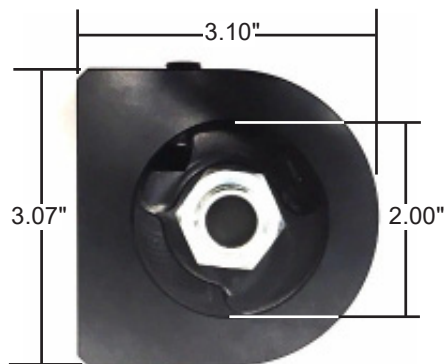
Threaded adaptors are available in -AN, BSP & metric sizes for all components we offer.

Billet Sandwich Plate

Our new billet non-thermo sandwich plate is a lightweight, high-flow sandwich plate machined from 6061 aluminum. It's used to add an external cooler to your vehicles oil system. This oil sandwich plate is available for either M20 or 3/4"-16 oil filters and has two 1/8" NPT plugged ports for sensors, gauges or oil feed lines. Inlet/outlet ports to cooler are ORB M22 x 1.5 thread; we can provide union/adapters to -8AN or -10AN. Specs: weight 9.5oz, square profile o-ring, made in England.



description	part#	price
Billet Sandwich Plate for M20 filter	SP1BF	\$85.00
Billet Sandwich Plate for 3/4"-16 filter	SP1B	\$85.00



O-RING (min 2.20", max 2.85")



(2) M22 X1.5 INLET/OUTLET PORTS

(2) 1/8" NPT PORT W/PLUGS

Mocal HD Oil Take-off Plate

center thread	port thread	part#	price
3/4"-16	1/2 BSP	TOP1	\$42.50
18mm	1/2 BSP	TOP1D	\$42.50
20mm	1/2 BSP	TOP1F	\$42.50

These precision die cast aluminum Mocal manufactured plates are both strong, and lightweight, offering the quality of billet components at a sensible price. Price includes o-ring, fittings are sold separately.



Standard Oil Take-off Plate

center thread	port thread	part#	price
3/4"-16	1/2 NPT	TOP111	\$26.95
13/16"-16	1/2 NPT	TOP114	\$26.95
18mm	1/2 NPT	TOP112	\$26.95
20mm	1/2 NPT	TOP116	\$26.95
22mm	1/2 NPT	TOP118	\$26.95

A bit lighter duty than the Mocal TOP versions, this series of aluminum take-offs are suitable for most applications and hard to beat for the money. Price includes o-ring, fittings for fluid connection are sold separately.



Note: Threaded adaptors are available in -AN, BSP & metric sizes for all components we offer.

Low Profile Oil Take-off Plate

center thread	port thread	part#	price
3/4"-16	1/2 BSP	TOP1LP	\$99.50
13/16"-16	1/2 BSP	TOP1LPC	\$99.50
18mm	1/2 BSP	TOP1LPD	\$99.50
20mm	1/2 BSP	TOP1LPF	\$99.50

These high quality die cast constructed plates are the choice for use in tight quarters- especially good for engine swaps and kit car applications. Unique 2 piece design allows plate to index 360 degrees before being tightened into place by top cover. Price includes o-ring, fittings for fluid connection are sold separately.



Bolt-On Oil Take-off Plates

application	port thread	part#	price
Chevy V8	1/2 NPT	TOP113	\$28.50
Triumph TR7	1/2 BSP	TOP7	\$80.00
FE Ford	1/2 NPT	TOPF8	\$50.00
VW (air cooled)	3/8 NPT	TOP117	\$30.00
Mini R52/53	M22 x 1.5	TOP3	\$195.00
Mini R56	M22 x 1.5	TOP17	\$197.50
Rover/Buick 215 V8	1/2 BSP	PC1	\$179.00

Bolt-on oil take off's are designed to bolt in place of existing oil filter canisters or oil pump covers. Most include required hardware and gaskets. Fittings for fluid connection are sold separately.



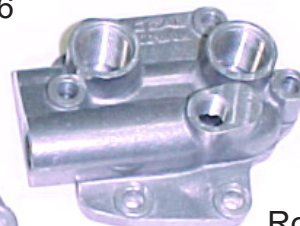
Mini R56



Mini R52/53



Ford FE



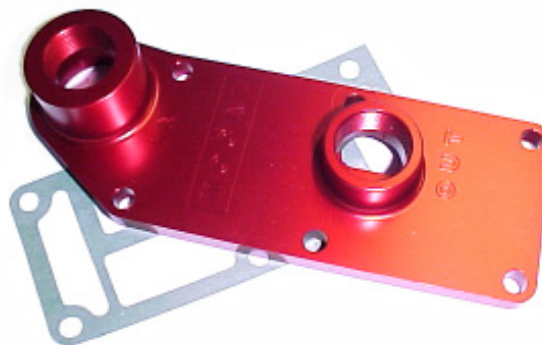
Rover/Buick
215 V8

BOLT-ON TYPE OIL TAKE-OFF PLATES (continued)

BMW Z3/318 M42 Engine Take-Off Plate

description	part#	price
Oil Take-Off Plate BMW M42 Type Engine	T0P9	\$166.50

This oil take-off plate takes the place of the stock canister oil filter assembly and is generally used for remote oil filter/oil cooler installations. Inlet/outlet ports are M22 x 1.5 thread so we have a number of options from -AN male unions, -AN hose ends and for low clearance -AN banjos. Machined billet aluminum - color red, gasket included.



BMW Z3/318 M42

Mini R52/53 Take-Off Plate

description	part#	price
Mini R52/53 Supercharged W11B16 "Tritec" T16B4 Engine 2002-2006 R53 Hatch 2005-2008 R52 Convertible	T0P3	\$195.00

This oil take-off plate replaces the stock water/oil cooler located on the oil filter housing allowing connections to a larger, more efficient, oil cooler of your choice. Inlet/outlet ports are M22 x 1.5 thread so we have a number of options from -AN male unions, -AN hose ends and for low clearance -AN banjos. Machined billet aluminum construction.



Mini R52/53



Note: Threaded adaptors are available in -AN, BSP & metric sizes for all components we offer.

Mini R56 Take-Off Plate

description	part#	price
Mini R56 Turbocharged N14B16A "Prince" Engine Gen 2 Mini R56 body type 2007-2013	T0P17	\$197.50

This oil take-off plate replaces the stock water/oil cooler located on the oil filter housing allowing connections to a larger, more efficient, oil cooler of your choice. Our design incorporates the water passage internally, rather than having to have a tube on the exterior that loops in/out like other (less desirable) versions of this component. We also provide a M12 x 1.5 sender/gauge port. Inlet/outlet ports are M22 x 1.5 thread so we have a number of options from -AN male unions, -AN hose ends and for low clearance -AN banjos. Machined billet aluminum construction.



Mini R56



BMW Oil Cooler Take-off's

We can supply a number of options for a variety of BMW engines from the mid 90's to present. There are two basic types. One is a bolt-on adapter that fits engines that have provisions for factory plumbing, often called "Euro housings". The other type is a replacement top cap for the oil filter housing with provisions for fluid connections to a oil cooler that suits M50, S50, S52, S54 engines with aluminum filter cap with through bolt. We are working on a similar version for N52, N54 engines with plastic filter housing.

BMW E36/E46/E90 Bolt-On Oil Take-off Plate

application	port thread	part#	price
BMW E36/46/90	(M22x1.5)	T0P91	\$40.00

Some BMW E36, E46, E90 chassis cars are factory equipped with oil coolers utilizing manifold "hard lines" that can cause fitment issues for cars with superchargers, Accusumps or other aftermarket plumbing components. Our take off plate allows for more versatile thread-on -AN type fluid connections in place of the factory oil cooler tube/hoses. Once converted -AN hose and fittings can be used to connect to an aftermarket oil cooler. Plate is engineered with M22 x 1.5 female ports that accept -10AN or -12AN male unions for use with standard -AN hose ends or direct to -AN swivel hose ends in 00°, 45° or 90° angles. Although designed for the E36/46/90 engine this filter housing can be used on some E82/92/93 applications with 41.5mm spacing. This is also true for factory oil coolers that uses a similar bolt-on flange fluid connection, again check for 41.5mm spacing. Fittings are optional, specify requirement when ordering.



shown with optional fittings

BMW Filter Housing Cap w/ Ports

application	port thread	part#	price
BMW (various)	(M22x1.5)	OCTBMW2	\$209.00

For engines with aluminum oil filter housings and top caps with through bolt, we make this billet aluminum top cap with ports that makes adding an oil cooler easy. Our design incorporates a self adjusting internal sealing mechanism for proper seating against the filter assuring maximum oil flow through the oil cooler and filtration without "blow-by". Cap uses standard type filters and stock cap through bolt. Inlet/outlet Ports are M22 x 1.5 o-ring ports for use with standard -AN hose ends or direct to -AN swivel hose ends in 00°, 45° or 90° angles. A 1/8" NPT side port is provided for external oil pressure gauge (plug included). Fittings are optional, specify requirement when ordering.

NOTE: We are working on a version similar to this for (N52, N54) engines that have plastic oil filter housings and caps. Availability to be announced.



To assist in selecting the proper sandwich plate or take-off adaptor- use the following list to help determine your vehicles oil filter thread size. We have compiled the following information and believe it be accurate. If you do not see your application listed, or need to advise a correction, please contact us. Other than knowing the actual filter thread on your engine, it is somewhat important to know your oil filters o-ring diameter. Mocal sandwich plates and adaptors are designed to fit with oil filters o-rings in the 2 1/4" to 3" o.d. range. Our components are compatible with better than 90% of applications from 1980 to present. For old style, "large can", filters (o-rings greater than 3" o.d.) we can usually recommend an alternative filter that will be compatible with our product. *More information on alternate filters can be found on the next page.*

Acura

Integra	86-87	22mm
Integra	88-01	20mm
Legend,		
3.2TL, 3.5RL	88 >	22mm
Vigor, 2.5TL	All	20mm
NSX*	91 >	22mm
* may require alternate filter		
2.2 CL, 3.0 CL, SLX	All	20mm
RSX, TSX	02-06	20mm

Alfa Romeo

4 Cylinder	72 >	3/4"-16
V6 GTV6, Milano, 164	81-95	3/4"-16

American Motors

All V8	60-83	13/16"-16
All Models	60-86	13/16"-16
All Models	87 >	20mm

Audi

All models w/spin-on		3/4"-16
----------------------	--	---------

BMW

All models w/spin-on		3/4"-16
----------------------	--	---------

Buick

L6, V8	50-74	13/16"-16
V8 305, 350	All	13/16"-16
V6 231, 252	All	18mm
V6 2.8L, 3.1L, 3.3L, 3.8L	All	18mm

Cadillac

V8 4.1L, 4.5L, 4.6L, 4.9L	All	13/16"-16
V6 All	85 >	18mm
CTS, 5.7L	04	13/16"-16
XLR, 4.6L	04-09	13/16"-16
XLR-V	ALL	22mm
STS-V	ALL	22mm

Chevrolet (see alternate filters)

V8 350 LS1, Corvette, Camaro	97-04	13/16"-16
V8 LS7, LS9, LS3 Corvette	06 >	22mm
V8 350 ZR1	All	20mm
V8 6.2L LS3, LSA Camaro	2010 >	22mm
V8 350, All	92-96	18mm
V8 SB & BB	68-01	13/16"-16
V6 All	78 >	18mm

Chevrolet/GMC Truck (see alternate filters)

V6 4.3L	85 >	18mm
V8 2wd Pickup, Blazer, Suburban	88-98	13/16"-16
V8 4wd Pickup, Blazer, Suburban	88-98	18mm
V6 & V8 Sierra, Silverado (gas)	99 >	13/16"-16
V8 Vans All	70 >	13/16"-16
V8 Diesel All	82 >	13/16"-16
LS Engines*	to 2006	13/16"-16
LS Engines*	2007 >	22mm

*sandwich plate if clearance permits (make sure filter is not too low) or use our A0TGM bolt-on thermostatic take off.

Chrysler

V8 All	59 >	3/4"-16
V6, I6	All	3/4"-16
L4	All	3/4"-16
V8 All	08 >	22mm

Dodge

V10 Viper	All	3/4"-16
V8 All	60-07	3/4"-16
V6 All (except Stealth)	93-07	3/4"-16
Stealth	All	20mm
Avenger, Caravan, Neon, Stratus	96-05	3/4"-16
SRT 10, Hemi, Charger	to 06	3/4"-16
V8 / Hemi	08 >	22mm

Dodge Truck

V8, V6 All	74-07	3/4"-16
V10	94 >	3/4"-16
V8, V6 All	08 >	22mm

Eagle

Summit, Talon	95 >	20mm
Talon (non-turbo)	89 >	3/4"-16
Vision	93 >	3/4"-16

Ferrari

All models w/spin-on	66 >	3/4"-16
----------------------	------	---------

Fiat

All models over 900cc		3/4"-16
-----------------------	--	---------

Ford Germany

All models with spin-on		3/4"-16
-------------------------	--	---------



Ford USA

V8 All	58 >	3/4"-16
V8 Mustang GT	2011 >	22mm
V8 4.6L, 5.4L	92 >	22mm
V8 3.4L Taurus	96-99	22mm
L6 All	58-87	3/4"-16
V6 2.5L, 3.0L (24v)	95 >	22mm
V6 3.0L, 3.8L, SHO All	87 >	3/4"-16
I4 & V6 Probe	93 >	20mm
I4 1.8L Escort/Tracer	90-96	20mm
I4 2.0L Contour, Focus	95 >	3/4"-16
I4 1.6, 1.9, 2.0, 2.3	71 >	3/4"-16

Ford Truck

V6 3.8L Windstar	96 >	3/4"-16
V6 4.0L All	90 >	3/4"-16
V8 4.6L, 5.4L Modular	97 >	22mm
V8 (with metric thread)	94 >	22mm
V8 (with standard thread)	71 >	3/4"-16
V10 All	97 >	22mm

Honda

I4 & V6 All*	88-03	20mm
*Civic / CRX	84-87	22mm
*S2000	00-06	20mm

Hummer

Gas & Diesel	All	13/16"-16
--------------	-----	-----------

Hyundi

V6	> 05	20mm
4 Cyl	> 06	20mm

Infinity

G20	91-96	3/4"-16
G20, I35, G35	99 >	20mm
J30, M30, Q45	90-96	3/4"-16
I30	96-99	20mm
Q45, QX4	97 >	20mm

Isuzu

Amigo, Rodeo, Hombre (4 cyl)	All	18mm
V6 Amigo, Rodeo, Oasis, Trooper	94 >	20mm
Vehicross	99 >	20mm

Jaguar

2.5L, 3.0L 24v	98 >	22mm
X Type 2.5-3.0L	02-06	3/4"-16
All V8	97 >	1"-12
Other 6 cyl & 12 cyl	78 >	1"-12

Jeep

V8 All	70-86	3/4"-16
V8 Grand Cherokee	93 >	3/4"-16
I6 All	70-90	3/4"-16
4.0L	91 >	20mm

KIA

Sportage, Optima Spectra	All	20mm
--------------------------	-----	------

Land Rover

V8	All	3/4"-16
----	-----	---------

Lexus

LX450	96-97	3/4"-16
V6, I6	90 >	3/4"-16
LX470, RX300	98 >	3/4"-16

Lincoln

V8 5.0L, 5.8L All	77 >	3/4"-16
V8 4.6L, 5.4L All	91 >	22mm
V6 All	88 >	3/4"-16
V6 (24v)	All	22mm
LS 3.0	00-04	3/4"-16

Lotus

All models	71 >	3/4"-16
------------	------	---------

Maserati

V8 3.2L (Bi-turbo)		3/4"-16
V6 2.8L (Bi-turbo)		3/4"-16

Mazda

RX8	>06	20mm
Rotary All	71 >	20mm
Miata 1.6L, 1.8L	90 >	20mm
B3000/4000 Navajo	94 >	3/4"-16
MPV	89-98	20mm
MPV	99-06	22mm
Mazda 3, 2.0L	04 >	20mm
Mazda 6, 3.0L	03 >	22mm

Mercedes

190 Series (except 16v)	All	3/4"-16
300 Series (except CE)	All	3/4"-16

Mercury

V8 All	58 >	3/4"-16
V8 4.6L, 5.4L	91 >	22mm
I6 All	58-87	3/4"-16
V6 2.5, 3.0 (24v)	All	22mm
V6 (12v)	All	3/4"-16
V6 Villager	All	20mm
I4 Capri	91-94	20mm

Mitsubishi

All Models*	83 >	20mm
*Eclipse 4 cyl (non-turbo)	95-99	3/4"-16
Eclipse 4 cyl (non-turbo)	00 >	20mm
Lancer, EVO	02-06	20mm
V6 Eclipse, Galant	99 >	20mm
Montero, Pickup, Van	86 >	20mm
Starion	83-89	20mm



Nissan/Datsun

All Models (except below)	74 >	3/4"-16
300Z, 350Z, 370Z, GTR	ALL	20mm
RB Engines	ALL	3/4"-16
X-terra	03-06	20mm
Altima 4 cylinder	98 >	20mm
Maxima, Sentra, 200SX, 300Z	95 >	20mm
3.3L, 3.5L, Pathfinder	96 >	20mm

Oldsmobile (see alternate filters)

V8 All	60 >	13/16"-16
V8 Aurora	95 >	13/16"-16
V6 All	95 >	18mm
Quad 4	88-95	18mm

Plymouth

V8 All	60 >	3/4"-16
Acclaim, Breeze, Neon All	90 >	3/4"-16
Colt, Lazer All	89 >	20mm
Prowler	All	3/4"-16
Voyager	All	3/4"-16

Pontiac (see alternate filters)

V8 305/350 (Chevy)	77 >	13/16"-16
V8	71 >	13/16"-16
V8 LS1	98 >	13/16"-16
V6 All	76 >	18mm

Porsche

911	65-71	3/4"-16
911	72-95	1"-12
911 Turbo	91-94	20mm
911 3.6L	94-98	20mm
914	70-77	3/4"-16
924	77-83	3/4"-16
928	78 >	20mm
944, 944T, 944S, 968	82 >	20mm

Saab

4 cyl 99, 900, 9000	71 >	3/4"-16
V6 900, 9000	94 >	18mm
9.3, 9.5	99-02	3/4"-16
9.7x	ALL	13/16"-16
9.2, 9.5	05 >	20mm

Saturn

All 1.9L	91 > 01	3/4"-16
Relay 3.5L, VUE w/Honda V6		20mm

Scion

XA, XB, TC	ALL	3/4"-16
FRZ	2012 >	20mm

Subaru

All Models*	72-89	3/4"-16
*Justy	89	20mm
*Loyale, XT	90	3/4"-16
All Models	90 >	20mm

Suzuki

All 3 & 4 Cylinder	86 >	3/4"-16
--------------------	------	---------

Toyota

All Models	70 >	3/4"-16
Trucks - except van	75 >	3/4"-16
FRS/GT86	2012>	20mm

Volkswagen

4, 5, 6 cyl. w/spin-on	75 >	3/4"-16
Diesel w/spin-on	80-98	3/4"-16"

Volvo

All Models	90-99	3/4"-16
------------	-------	---------



Oil filter thread by common Japanese engine codes

Honda B16, B18	89-01	20mm
Honda K20, K24	02 >	20mm
Honda F20, F22	99-09	20mm
Mazda 13B	84-03	20mm
Mitsubishi 4G63, 64	90-06	20mm
Nissan CA18, SR20 (S13)	91-94	3/4"-16
Nissan RB20,25,26	ALL	3/4"-16
Nissan VG30	ALL	3/4"-16
Nissan VQ25, 35, 37	ALL	20mm
Nissan VR38	ALL	20mm
Nissan SR20 (S14,15)	95-02	20mm
Totota 2JZGTE	91-02	34"-16
Subaru EJ257	04-16	20mm
Subaru FA20	16 >	20mm

USA

MOCAL

MOCAL

USA

Additional Information

Plumbing Connections

Most Mocal sandwich plates and take-off adaptors are tapped parallel thread female and designed to receive a male/male union, sealing on a bonded washer. By tightening the union down "all-the-way to the hex" it takes up less space. We can supply 1/2" BSP and M22 x 1.5 unions in a variety of sizes, (-6, -8, -10, -12AN). Taper type (NPT) unions share the same thread pitch as BSP and could be used, however NPT fittings will increase the space required to make fluid connections. Also, care should be taken not to overtighten taper unions as it is possible to crack the casting. BAT is one of the nations largest distributors of -AN/JIC plumbing and should be able to supply your plumbing needs at the best price.

Installation Notes

For the most part, installing a sandwich plate between the engine block and filter is a very simple operation: remove the filter, thread on the plate, rotate the inlet/outlet fittings to a position where oil hose connections are accessible, tighten the plate into position, refit the oil filter. Clearance issues- either due to the additional height gained by adding a plate between the block and filter, or a o-ring seal diameter issue- can usually be resolved by using an alternate oil filter. We have compiled additional information (below) on alternative filters for some popular applications. In cases where the sandwich plate will not adapt to the engine filter boss location- either due to o-ring diameter, or the filter being recessed (many GM engines) - we can supply a spacer ring. Spacers are available in optional thicknesses, and are designed to raise the sandwich plate enough to allow inlet/outlet port connection.



Spacer Rings

Filters- 3/4"-16 Thread

These are by far the most popular filters, and almost always compatible with our products for o-ring diameter. In some "tight-fit" installations like; engine swaps, race cars w/headers, rods & customs, etc., there might be a better filter (size) choice. Check the stock spec on your application in an oil filter catalog. Select a filter with similar specifications in the alternate dimension you need. We have listed a some suitable Ford V8 filters below. As you can see, the simplest thing to do if your FL1A (Fram PH8A) is clearance limited- exchange it for a PH16 which saves almost 1.5" off the height. *We refer to Fram part numbers, as they are easy to cross reference to your favorite brand.*

Optional Ford V8 Filters 3/4"-16 Thread

Fram Part#	Filter		O-ring		Relief Setting	Compatible Size
	Height	O.D.	O.D.	I.D.		
PH8A	5.140"	3.812"	2.796"	2.421"	8-10	YES
PH16	3.687"	3.656"	2.75"	2.375"	8-10	YES
PH43	4.00"	3.812"	2.796"	2.421"	8-10	YES
PH2951	3.359"	3.00"	2.421"	2.125"	9-12	YES
PH3512	2.890"	3.781"	2.812"	2.421"	9-12	YES
PH3614	3.359"	3.00"	2.781"	2.484"	9-12	YES

Filters- 13/16"-16 Thread, GM V8's

Many GM V8 engines use bulky, large can filters, and are not always compatible with our sandwich plate adaptors 2.25" - 2.95" o-ring boss. Generally we replace (Fram* PH13 & PH30) with either (Fram* PH25 or PH3506) which utilize an o-ring diameter that is compatible with our products. Filter performance is similar on these compact modern filters (see specifications below). Additionally, they are better suited to "tight-fit" installations like; engine swaps, race cars w/headers, rods & customs, etc. Our popular SP16T is a two piece thermostatic sandwich plate, which includes a diameter/spacer, for use on engines where the filter is recessed at the rear of the block. Later GM engines and some LS type do not have the filters recessed and can use a standard sandwich plate (SP1 Type) without diameter/spacer, and still others are metric 18mm thread. It is a shame that some of the most numerically produced, and popular, engines are the most confusing to outfit with oil cooling components. * *We refer to Fram part numbers, as they are easy to cross reference to your favorite brand.*

Optional 13/16"-16 Filters

Fram Part#	Filter		O-ring		Relief Setting	Compatible Size
	Height	O.D.	O.D.	I.D.		
PH13	5.396"	3.812"	3.562"	3.125"	8-10	NO
PH30	4.00"	3.812"	3.562"	3.125"	8-10	NO
PH25	4.00"	3.796"	2.796"	2.421"	8-10	YES
PH3506	3.359"	3.00"	2.781"	2.453"	8-10	YES

Metric Filters- 18mm, 20mm, 22mm

Metric thread oil filters are very common on late model, 90's and newer, Asian & American 4 & 6 cylinder engines. These filters are usually compact in size and incorporate sealing o-rings that are compatible with our products. In cases where the o-ring size is not suitable, an alternate filter should be substituted.