

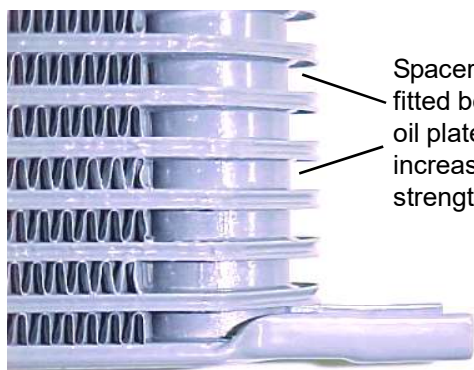
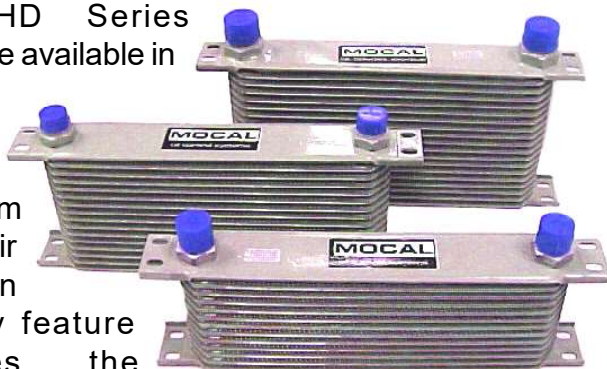
MOCAL HD series

Mocal HD Series Oil Coolers

As a complement to our standard cooler product line we are pleased to introduce the Mocal HD Series. Utilizing a modern flexible manufacturing processes,

Mocal HD Series Coolers are available in both industry standard and custom sizes. Their main assembly feature addresses the

weakest point in standard oil cooler construction: the unsupported area where the plates join together forming the end tank. Here, Mocal HD coolers utilize aluminum spacers between the plates forming a core with increased rigidity. Thicker material is also used in key areas for added strength, boosting the working pressure rating to 12bar (180psi). An added benefit of their construction is the ease in which the more complex taller and narrow size coolers can be build; this greatly reduces build time, decreases imperfections, and actually helps reduce the end cost of larger core size units. Cooling performance is very similar to traditional Mocal and Setrab models, with only a slight weight penalty (roughly 5-10% depending on core size). Going forward, we will continue to expand stock supplies and will include the possibility of special non-standard core widths.

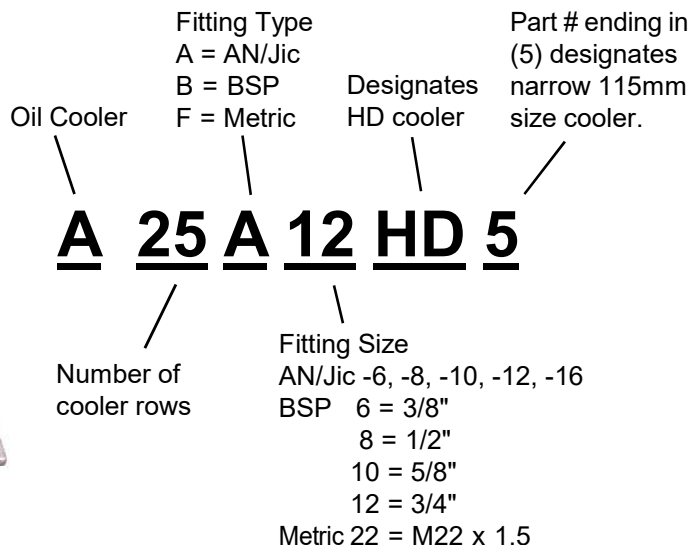


Spacers are fitted between oil plates for increased strength.

Mocal HD Series Cooler

Part Number Identification

example 25 row 115mm HD core with -12AN fittings



2026 Price List

235 Matrix HD Series Coolers

	list \$	your \$
7 Row	\$170.00	155.90
10 Row	\$190.00	173.25
13 Row	\$215.00	192.50
16 Row	\$235.00	217.80
19 Row	\$255.00	233.50
25 Row	\$315.00	283.25
34 Row	\$455.00	415.00
44 Row	\$600.00	545.00
50 Row	\$650.00	599.00

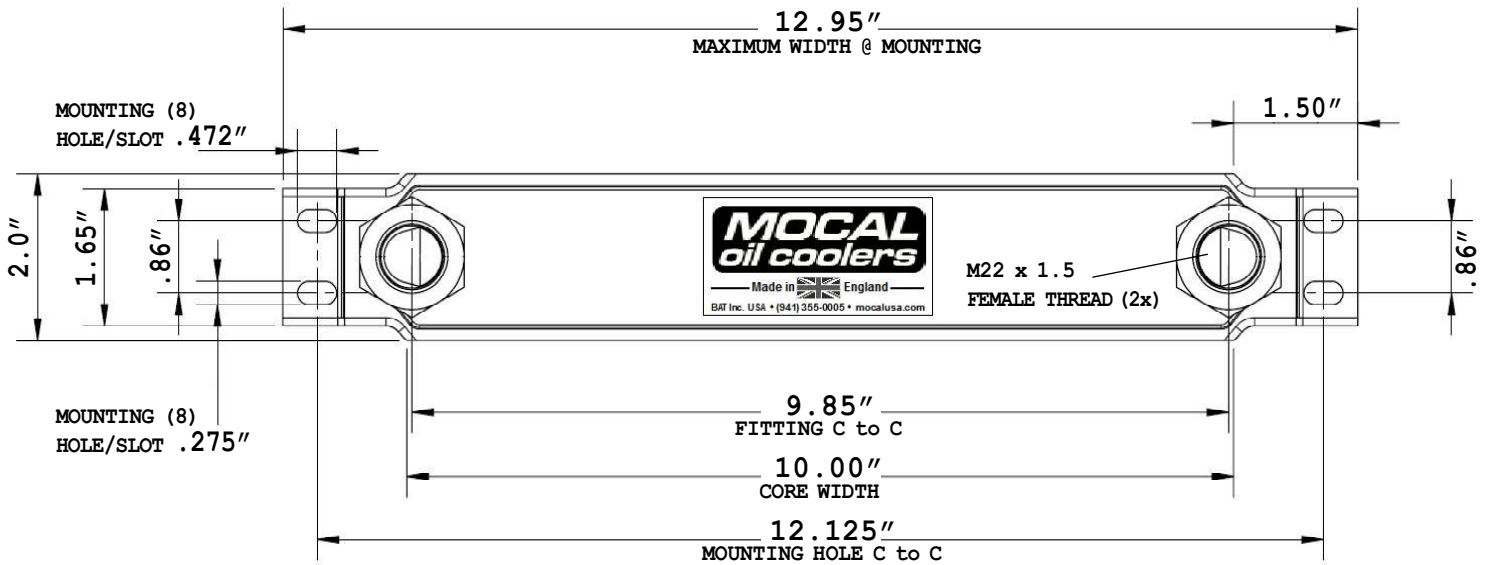
2026 Price List

115 Matrix HD Series Coolers

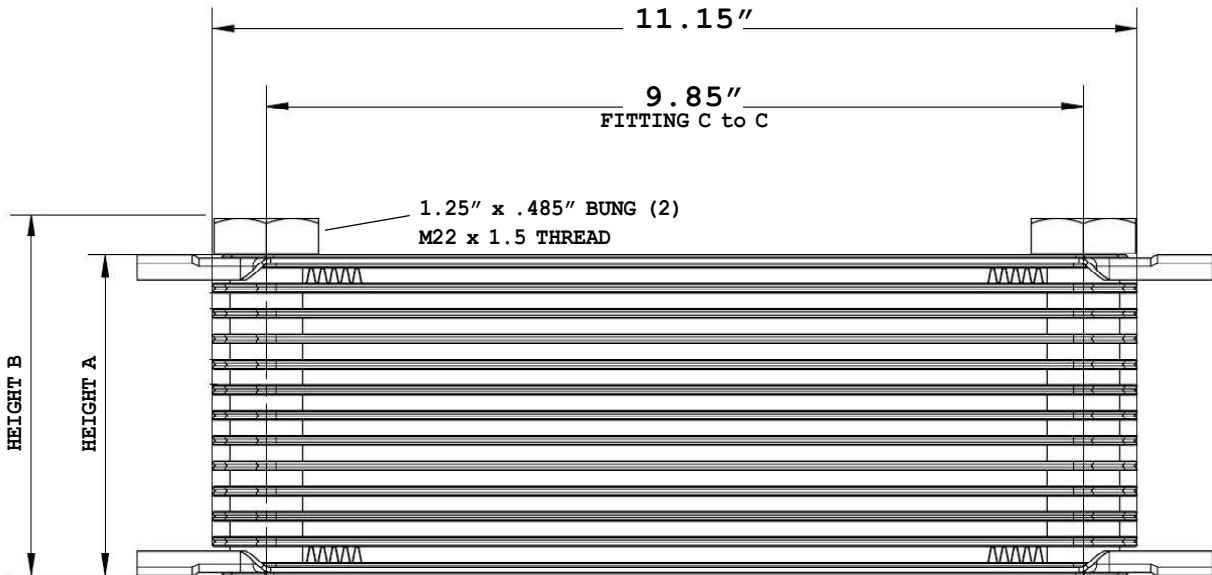
	list \$	your \$
7 Row	\$140.00	124.25
10 Row	\$160.00	142.45
13 Row	\$180.00	164.45
16 Row	\$200.00	180.95
19 Row	\$220.00	198.75
25 Row	\$265.00	242.00
34 Row	\$380.00	345.50
44 Row	\$505.00	460.00
50 Row	\$570.00	525.00



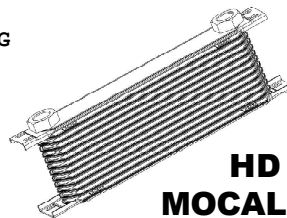
235mm/Series 6 Oil Cooler Specifications models with M22 x 1.5 female ports



■ COLOR: BLACK



PART NUMBER	HEIGHT A COOLER CORE	HEIGHT B COOLER CORE W/BUNG	FLUID CAPACITY		WEIGHT POUND
			QUART		
10 ROW A10F22HD	10 ROW 3.0"	10 ROW 3.485"	10 ROW .21	10 ROW 1.65	
13 ROW A13F22HD	13 ROW 4.0"	13 ROW 4.485"	13 ROW .27	13 ROW 2.33	
16 ROW A16F22HD	16 ROW 4.75"	16 ROW 5.235"	16 ROW .33	16 ROW 2.82	
19 ROW A19F22HD	19 ROW 5.75"	19 ROW 6.235"	19 ROW .40	19 ROW 3.28	
25 ROW A25F22HD	25 ROW 7.50"	25 ROW 7.985"	25 ROW .53	25 ROW 4.27	
34 ROW A34F22HD	34 ROW 10.25"	34 ROW 10.735"	34 ROW .71	34 ROW 5.68	



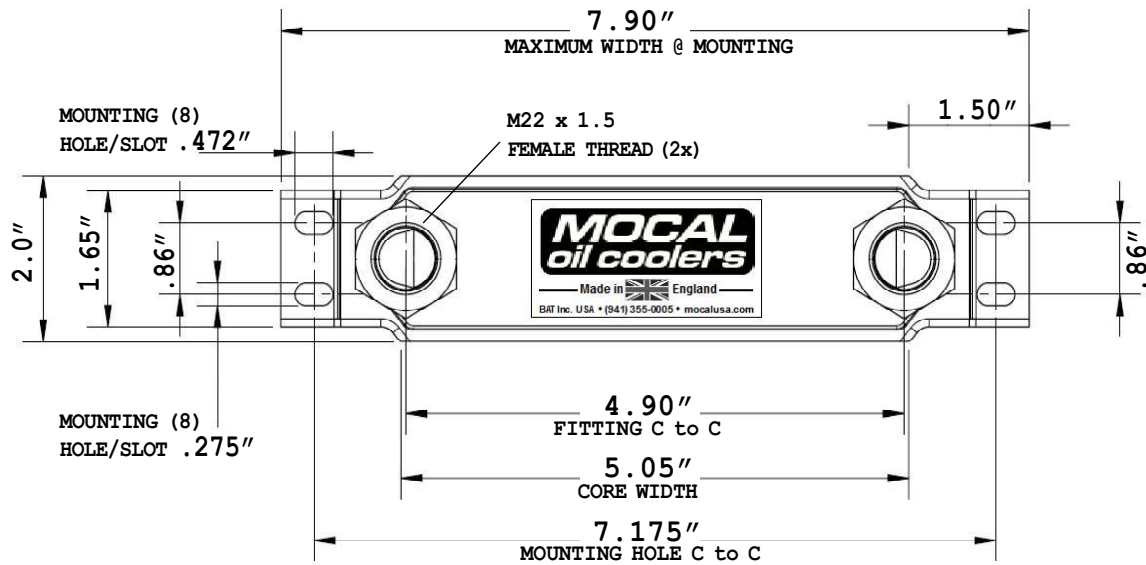
**HD
MOCAL**



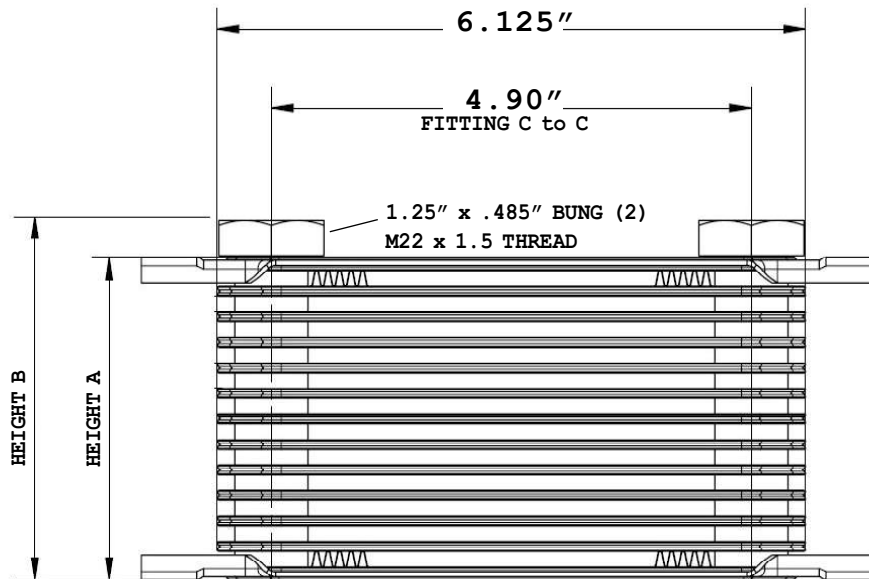
Importer/Distributor- BAT Inc. 7630 Matoaka Road. Sarasota, FL 34243
phone (941) 355-0005 fax (941) 355-4683

MOCAL HD series

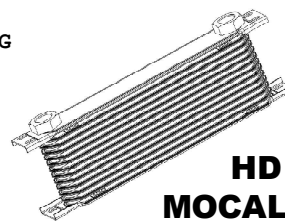
115mm/Series 1 Oil Cooler Specifications models with M22 x 1.5 female ports



■ COLOR: BLACK



PART NUMBER	HEIGHT A COOLER CORE	HEIGHT B COOLER CORE W/BUNG	FLUID CAPACITY		WEIGHT	
			QUART	POUND		
10 ROW A10F225HD	10 ROW 3.0"	10 ROW 3.485"	10 ROW .13	10 ROW 1.10		
13 ROW A13F225HD	13 ROW 4.0"	13 ROW 4.485"	13 ROW .17	13 ROW 1.38		
16 ROW A16F225HD	16 ROW 4.75"	16 ROW 5.235"	16 ROW .20	16 ROW 1.63		
19 ROW A19F225HD	19 ROW 5.75"	19 ROW 6.235"	19 ROW .24	19 ROW 1.87		
25 ROW A25F225HD	25 ROW 7.50"	25 ROW 7.985"	25 ROW .26	25 ROW 2.35		
34 ROW A34F225HD	34 ROW 10.25"	34 ROW 10.735"	34 ROW .43	34 ROW 3.08		



Importer/Distributor- BAT Inc. 7630 Matoaka Road. Sarasota, FL 34243
phone (941) 355-0005 fax (941) 355-4683

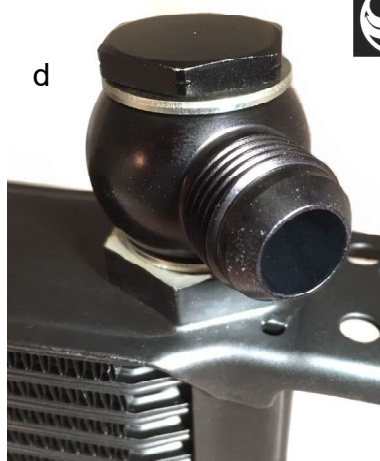
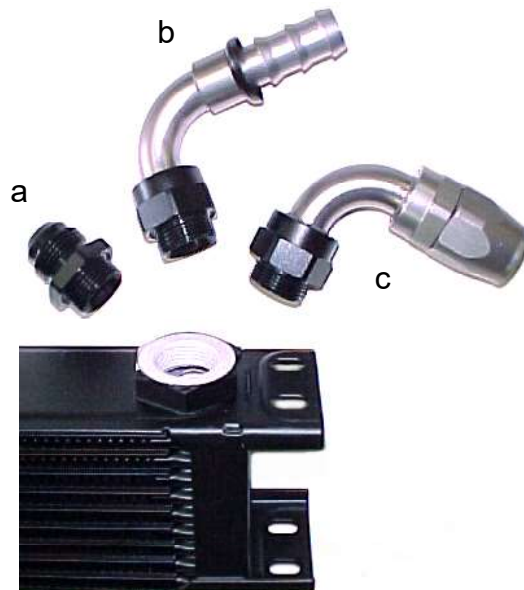
MOCAL HD series

Mocal System 22 series oil coolers are now available. These coolers use M22mm x 1.5 thread o-ring boss (ORB) type adaptors, hose ends and banjo fittings for added versatility. This concept also allows shops and resellers to stock a minimal range of cores but still have the potential full range of fluid connection sizes available.

System 22 oil coolers feature a versatile 22mm x 1.5 female adaptor fitting system. Select from a range of 22mm x -AN unions or hose ends for direct connection to socketless or stainless braid -AN hose.

- a) Union Adaptor -6 to -16an
- b) Hose End Socketless -6 to -12an
- c) Hose End Swivel -6 to -12an

See next page for complete listing.



d) Banjo type cooler adaptors are very handy for space limited installations. Available in two sizes, 22mm x -10AN male and 22mm x 8AN male, these banjo adaptors are the most compact connection available (measuring only 1.75" off the top plate of the cooler).

See next page for complete listing.

2026 Price List

235 Matrix HD Series 22 Oil Coolers

size	part#	list \$	your \$
10 Row	A10F22HD	190.00	173.25
13 Row	A13F22HD	215.00	192.50
16 Row	A16F22HD	235.00	217.80
19 Row	A19F22HD	255.00	233.50
25 Row	A25F22HD	315.00	283.25
34 Row	A34F22HD	455.00	415.00
44 Row	A44F22HD	600.00	545.00
50 Row	A50F22HD	650.00	599.00

2026 Price List

115 Matrix HD Series 22 Oil Coolers

size	part#	list \$	your \$
10 Row	A10F225HD	160.00	142.45
13 Row	A13F225HD	180.00	164.45
16 Row	A16F225HD	200.00	180.95
19 Row	A19F225HD	220.00	198.75
25 Row	A25F225HD	265.00	242.00
34 Row	A34F225HD	380.00	345.50
44 Row	A44F225HD	505.00	460.00
50 Row	A50F225HD	670.00	525.00

BAT Inc. ♦ 7630 Matoaka Road., Sarasota, FL. 34243 ♦ (941) 355-0005 fax (941) 355-4683

Trade discounts available to legitimate accounts - minimum purchase required. Call for more information.

Prices subject to change without notice.

Fittings & Adaptors for M22 Female Oil Coolers

Mocal HD coolers are designed to receive a 22mm male fluid connection; most often this is done with a male/male union which permits connection to any common -AN, BSP or Metric female hose end. Another option is to use a specialized "direct to hose" type and connect hose directly to the cooler. These hose end fittings are available for either "socketless" push-on or stainless overbraid "Aeroquip" hose in straight, 45 and 90 degree angles.

Cooler Adaptor 22mm Male x -AN Male



-AN size	part #	price \$
-6AN	M22AN06-SE	\$7.45
-8AN	M22AN08-SE	\$7.90
-10AN	M22AN10-SE	\$8.95
-12AN	M22AN12-SE	\$8.75
-16AN	M22AN16-SE	\$9.60

Straight 22mm Male x Braided Hose



-AN size	part #	price \$
-6AN	M22RU06-00	\$15.30
-8AN	M22RU08-00	\$16.50
-10AN	M22RU10-00	\$18.00
-12AN	M22RU12-00	\$20.50

Straight 22mm Male x Push-on Hose



-AN size	part #	price \$
-6AN	M22PL06-00	\$9.60
-8AN	M22PL08-00	\$11.40
-10AN	M22PL10-00	\$13.15
-12AN	M22PL12-00	\$14.90

45 Degree* 22mm Male x Braided Hose



-AN size	part #	price \$
-6AN	M22RU06-45	\$24.15
-8AN	M22RU08-45	\$27.20
-10AN	M22RU10-45	\$30.00
-12AN	M22RU12-45	\$35.00

*Swivel Hose End

45 Degree 22mm Male x Push-on Hose



-AN size	part #	price \$
-6AN	M22PL06-45	\$23.70
-8AN	M22PL08-45	\$26.30
-10AN	M22PL10-45	\$28.90
-12AN	M22PL12-45	\$31.60

90 Degree* 22mm Male x Braided Hose



-AN size	part #	price \$
-6AN	M22RU06-90	\$24.15
-8AN	M22RU08-90	\$27.20
-10AN	M22RU10-90	\$30.00
-12AN	M22RU12-90	\$35.00

*Swivel Hose End

90 Degree 22mm Male x Push-on Hose



-AN size	part #	price \$
-6AN	M22PL06-90	\$23.70
-8AN	M22PL08-90	\$26.30
-10AN	M22PL10-90	\$28.90
-12AN	M22PL12-90	\$31.60

22mm Banjo Accessories



Description	part #
Banjo M22 x -8AN	BJ2208M
Banjo M22 x -10AN	BJ2210M
Banjo Bolt M22 x 1.5	BJBM22
Bonded Seal 22mm	DS-M22

Banjo fittings are the lowest profile option in a fluid connection for Mocal HD oil coolers.

Fittings & Adaptors for M22 Oil Coolers (continued)

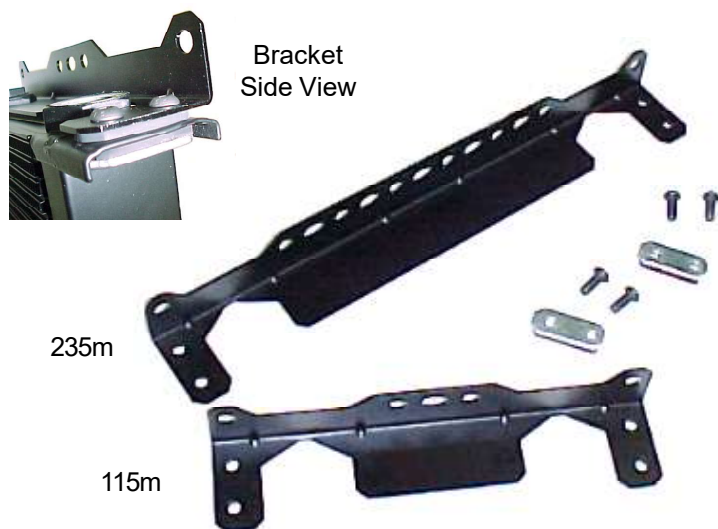
Cooler Adaptor 22mm Male x Metric Male

Metric	part #	price \$
M22	AM22AM22	\$13.50
M26	AM22AM26	\$16.95
M30	AM22AM30	\$17.40

Cooler Adaptor 22mm Male x BSP Male

BSP size	part #	price \$
3/8"	M22BS06-SE	\$12.20
1/2"	M22BS08-SE	\$12.20
5/8"	M22BS10-SE	\$13.25
3/4"	M22BS12-SE	\$12.25

Oil Cooler Accessories



Oil Cooler Mounting Brackets

Description	part #	price \$
Cooler Mount (115m)	ABKT-115	\$19.50
Cooler Mount (235m)	ABKT-235	\$23.70

These versatile formed aluminum brackets provide the most secure method for mounting radiator type oil coolers. Brackets incorporate rubber damping pads to reduce vibration and are available in 115mm and 235mm core versions. Shorter height coolers (less than 16 row) can use single bracket off one end, larger cores should be supported from both ends. Sold (1) for each cooler end; includes one bracket with hardware.

Oil Cooler Ducting

Description	part #	price \$
Duct for 13 row	OCD13	\$83.10
Duct for 16 row	OCD16	\$89.50
Duct for 19 row	OCD19	\$94.00

Oil cooler ducting is a simple and effective way to maximize cooling performance, especially when the cooler is mounted in a reduced airflow location. Available for 235 matrix size 13, 16 and 19 row coolers, brackets and hardware are included. Hose connections are single 3" or 3.5" on 13 and 16 row size and double 2.5" or 3" on the 19 row size. Maximum depth required is 6" (other dimensions are the same as cooler matrix area).



16 row 235m Cooler w/ OCD16

