



LIFETIME *
GUARANTEE!

Flex Liners & Flue Boxes

For re-lining existing chimneys to take gas, oil and multi-fuel appliances including stoves and open fires.



DON'T FORGET TO REGISTER YOUR INSTALLATIONS
AND START EARNING SCHIEDEL INSTALLER REWARDS
See inside for more details

SCHIEDEL

Application

Flexible flue and chimney liners designed for lining an existing flue or chimney.

Triplelock Plus is a single wall stainless steel flexible flue liner designed for atmospheric gas and kerosene appliances where the flue gas temperature does not exceed 260°C. Diameter range Triplelock Plus 100 - 200mm.

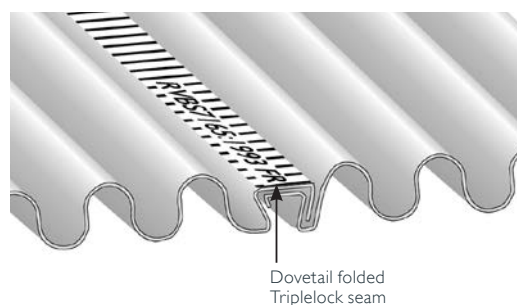
TecnoFlex Plus is a twin skin flexible chimney liner designed for gas, oil and multi-fuel, where the maximum flue gas temperature does not exceed 600°C. Diameter range 80 - 300mm.

Product Description

SINGLE WALL LINERS

- Made from corrosion-resistant 316L stainless steel.
- Leak resistant construction due to dovetail folded seam (Triplelock).
- Highest corrosion resistance.
- Deep corrugations for high crush resistance and better flexibility when installing.
- Strong seam construction resists the rigours of pulling the liner into place during construction.

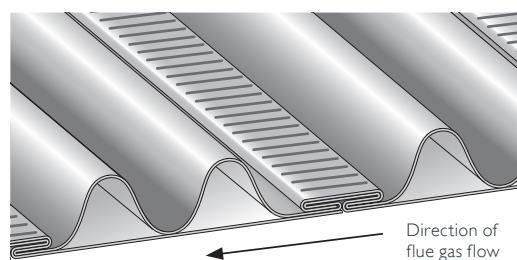
TRIPLELOCK PLUS



TWIN WALL LINER

- Unique joint design giving exceptional strength to the lock.
- Both inner and outer layers made from corrosion-resistant 316L stainless steel. 904L stainless steel is also available as an option.
- Corrugated outer skin for high crush resistance.
- Extra smooth inner skin allows for easy drain down of condensates, less opportunity for soot to collect in the joint area and ease of sweeping.
- Inner skin remains smooth and protective even after the rigours of installation.

TECNOFLEX PLUS



Approvals

TecnoFlex Plus is CE Certified to BS EN1856-2 TÜV 0036 CPR 9195 035 with designations:

High Temperature Applications	Low Temperature Applications
T600 N1 W V2 L50012 G T600 N1 W V2 L70012 G	T200 P1 W V2 L50012 O T200 P1 W V2 L70012 O

Triplelock Plus is CE Certified to BS EN1856-2 TÜV 0036 CPR 9195 043 with designations:

Applications
T300 N1 W V2 L50010 O

TÜV CE



The Prima Smooth range is manufactured under the strict requirements of BS EN ISO 9001 Quality management scheme. Prima Smooth has corrosion certification from TÜV. Prima Smooth is listed by HETAS as a product suitable for solid fuel.

Packaging Options

TECNOFLEX PLUS IS AVAILABLE IN 3 PACKAGING OPTIONS:



TecnoFlex Plus 316L Option 1a – Shrink Wrap Packs							
Code	Description	Internal Ø mm					
Order Ref	Pack Length	80	100	125	155	180	200
SAP Code	5m Pack	-	124511	125034	126418	126549	127128
	6m Pack	130493	124516	125040	126420	126550	127129
	7m Pack	-	124520	125045	126421	126551	127130
	8m Pack	130497	124524	125049	126422	126552	127131
	9m Pack	130498	124647	125054	126423	126553	127132
	10m Pack	130457	124633	125002	126396	126530	127112
	11m Pack	-	-	125006	126397	126531	127113
	12m Pack	-	124490	125010	126398	126532	127114
	30m Pack	130467	124507	125028	126413	126545	127126
40m Pack	-	124509	125030	126415	-	-	



TecnoFlex Plus 904L Option 1b – Shrink Wrap Packs					
Code	Description	Internal Ø mm			
Order Ref	Pack Length	125	155	180	200
SAP Code	5m Pack	125446	126469	127059	127666
	6m Pack	125447	126472	127060	127667
	7m Pack	125448	126474	127061	127668
	8m Pack	125450	126476	127062	127669
	9m Pack	125451	126478	127063	127670
	10m Pack	125434	126449	127049	127654
	11m Pack	125435	126451	127050	127655
	12m Pack	125436	126453	127051	127656
	30m Pack	125442	126464	127058	127665
40m Pack	125443	126465	-	-	



TecnoFlex Plus 316L Option 2a – Unwinder Cartons				
Carton Dims. (m)	Order Ref	Internal Ø mm		
Length x Width x Height		100	125	155
1.2(l) x 1.2(w) x 1(h)	Length (m)	50	40	-
	SAP Code	124917	125420	-
1.2(l) x 1.2(w) x 1.2(h)	Length (m)	50	50	30
	SAP Code	124917	125421	126439

TecnoFlex Plus 904L Option 2b – Unwinder Cartons	
Carton Dims. (m)	Internal Ø mm
Length x Width x Height	
1.2(l) x 1.2(w) x 1.2(h)	Length (m) 30 SAP Code 126438



TecnoFlex Plus 316L Option 3a – Unwinder Boats							
Carton Dims. (m)	Order Ref	Description	Internal Ø mm				
Length x Width x Height		Coil Length	100	125	155	180	200
2.1(l) x 1.28(w) x 2.2(h)	SAP Code	80 m Coil	137763	137272	-	-	-
		60m Coil	-	-	126419	-	-
		40m Coil	-	-	-	133999	-
		30m Coil	-	-	-	-	133294

TecnoFlex Plus 904L Option 3b – Unwinder Boats							
Carton Dims. (m)	Order Ref	Description	Internal Ø mm				
Length x Width x Height		Coil Length	100	125	155	180	200
2.1(l) x 1.28(w) x 2.2(h)	SAP Code	80 m Coil	-	125449	-	-	-
		60m Coil	-	-	126471	-	-
		40m Coil	-	-	-	154658	-
		30m Coil	-	-	-	-	154659

Flue Sizing

This information and sizes are provided as a nominal guide only. Flue sizing for appliances, particularly commercial/industrial applications will vary depending on siting details and appliance manufacturer's instructions and design criteria. These will override the sizing guide below and reference must be made to appliance manufacturer.

TRIPLELOCK PLUS

Flue Size Selection Guide				
	100 mm	125 mm	150 mm	180-200 mm
Gas - Atmospheric Boiler Input up to 25kW Input 25kW to 40kW Input 40kW to 60kW	●	●	●	
Gas - Commercial/ Industrial Boiler Input up to 50kW to 70kW				●2
Gas Fires 'Radiant' to BS7977-1 2002 'Inset' to BS7977-1 2002 'Backboiler' to BS7977-2 2003	● ●1 ●			●1
Gas Water Heaters Input up to 25kW Input 25kW to 55kW Input 55kW to 60kW Input over 60kW	●	●	●	●2
Gas Warm Air Units Input up to 18kW Input 18kW to 35kW Input 35kW to 60kW Input over 60kW		●		●2
Gas Stove Cooker	●2	●2	●2	
Kerosene (28 sec Class C2) Heating Boiler Output up to 25kW Input 25kW to 45kW Input 45kW to 70kW	●	●	●	
Kerosene Stove/Cooker	●3	●3	●3	
Kerosene Water Heater Input up to 41kW			●	
Kerosene Visual Effect Stove Output up to 17kW	●3	●3		

Notes:

1. Subject to appliance manufacturer's testing criteria.
2. Subject to manufacturer's input rating and chimney height.
3. Subject to manufacturer's output rating and chimney height.
4. Min 300mm depending on opening, chimney size and height.
5. Smokeless fuel only.
6. Smokeless fuel or coal.

TECNOFLEX PLUS

Flue Size Selection Guide							
	80-100 mm	130 mm	150 mm	180 mm	200 mm	230 mm	250-300 mm
Gas Boiler - Forced Draught Input up to 25kW Input 25kW to 45kW Input 45kW to 50kW Input 50kW to 75kW Input 75kW to 100kW Input over 100kW	●	●	●	●	●	●	●2
Gas Fires 'Inset' to BS7977-1 2002 'Decorative' to BSEN 509:2000		● ●1					
Gas Oil (35 sec Class D) Heating Boiler Output up to 25kW Input 25kW to 45kW Input 45kW to 70kW Input 70kW to 100kW Output over 100kW	●	●	●	●		●3	●3
Solid Fuel Heating Boiler Output up to 20kW Output 20kW to 30kW Output 30kW to 60kW			●S	●SC	●S	●SC	●SC
Open Fires (Standard Opening) 500mm x 550mm					●200 min		
'Avant Garde' Feature Open Fires							●4
Room Heaters			●S				
Wood burning Stoves/Cookers. Use only seasoned wood which has been stored 1/2 years in dry conditions.		●		●180 min			
Inglenook or non-standard opening. The Cross sectional area of the chimney liner must be a minimum of 15% of the total cross sectional area of the fireplace opening.						●230 min	

Notes:

1. Subject to appliance manufacturer's testing criteria.
2. Subject to manufacturer's input rating and chimney height.
3. Subject to manufacturer's output rating and chimney height.
4. Min 300mm depending on opening, chimney size and height.
5. Smokeless fuel only.
6. Smokeless fuel or coal.

System Design

MANDATORY REQUIREMENTS ON ACCEPTABLE CHIMNEY, FLEXIBLE LINER & APPLIANCE COMBINATIONS

Building Regulations Document J requires that a flexible flue liner can only be installed completely enclosed inside a masonry chimney. A non masonry enclosure such as timber or plasterboard boxing in is not acceptable.

The type of flue liner permitted depends on the fuel to be used, the type of appliance and the type and year of chimney construction in which it is to be fitted.

Building Regulations Document J, outlines different requirements for relining masonry chimneys built before and after 1st February 1966. This is summarised in the table alongside.

Appliance	Chimneys built before 1.2.1966	Chimneys built after 1.2.1966
Gas Burning Output up to 45kw	Triplelock Plus can be used in unlined chimney on dry applications.	Triplelock Plus can be used in lined chimney on dry applications.
Kerosene Burning Output up to 45kw	Triplelock Plus can be used in unlined chimney on dry applications.	Triplelock Plus can be used in lined chimney on dry applications.
Gas/Oil Burning Output up to 45kw	TecnoFlex Plus can be used in unlined chimney on wet and dry applications.	TecnoFlex Plus can be used in unlined chimney on wet and dry applications.
Solid Fuel Burning Output up to 45kw	TecnoFlex Plus can be used in unlined chimney.	TecnoFlex Plus can be used in lined chimney.

TERMINATION METHODS RECOMMENDED BY BS7566 PART4

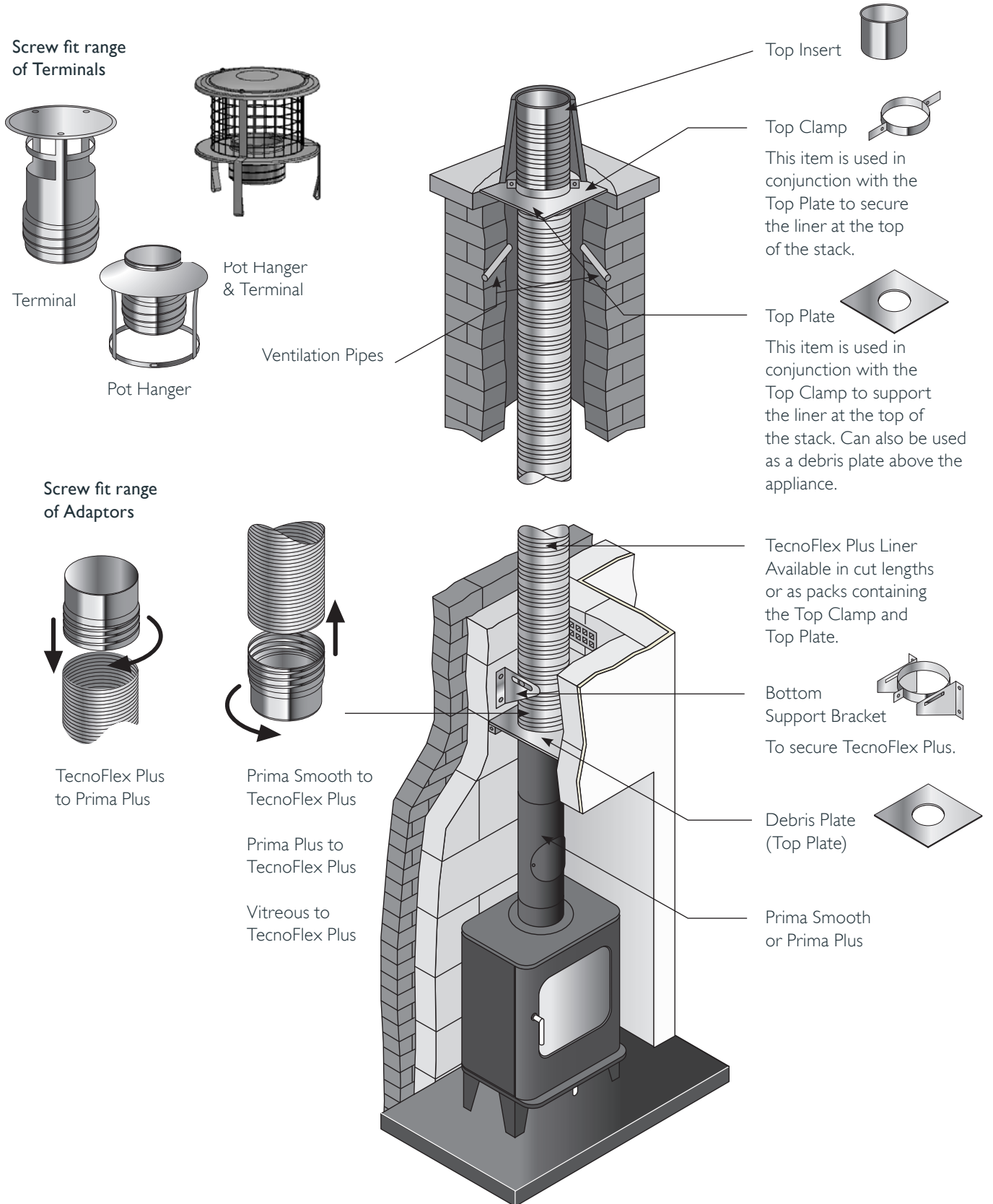
For gas burning installations, a flue terminal is required that complies with section 5 of BS715. Where a proprietary terminal is not used, the free area of outlet openings on the termination shall be at least twice the cross sectional area of the flue. Outlet openings shall be such that they will admit a ball of 6mm diameter but not of 16mm diameter. The openings shall be uniformly distributed around the terminal or arranged at two opposite faces. (BS5440 Part I). An approved terminal should be used to protect the end of the flue. A gas flue terminal must be fitted to an all gas installations of 170mm diameter or less.

For oil burning installations, a rain cap or universal terminal may be used, however, as there is a corrosion risk on such systems, regular inspection is recommended.

Multi-fuel applications, rain caps and universal terminals are not recommended for use on solid fuels, as the use of covered terminals will increase flow resistance and encourage the formation of aggressive condensates and deposits. In some instances, a terminal incorporating a spark guard may be demanded to reduce the risk of fire hazard. For all multi-fuel systems, regular cleaning is essential to prevent the accumulation of material which could ignite and create a fire hazard.

Typical stove installation

VISIT OUR YOUTUBE CHANNEL
FOR AN INSTALLATION ANIMATION



RE-USE OF A PREVIOUSLY CAPPED OR SHORTENED CHIMNEY

The chimney can be reused providing the existing brickwork is inspected to ensure it is in good condition. The chimney can be lined with the appropriate liner, ensuring that the liner is used only inside the stack. Connection to flue pipe ICID (multi-fuel) or ICS (multi-fuel) system can be made to the appliance/ termination, by using the appropriate connector inside the chimney, and suitably sealed with fire cement. The stack can be extended using ICS or ICID depending on the application.

RE-USE OF A FITTED FLEXIBLE LINER WHEN CHANGING THE APPLIANCE

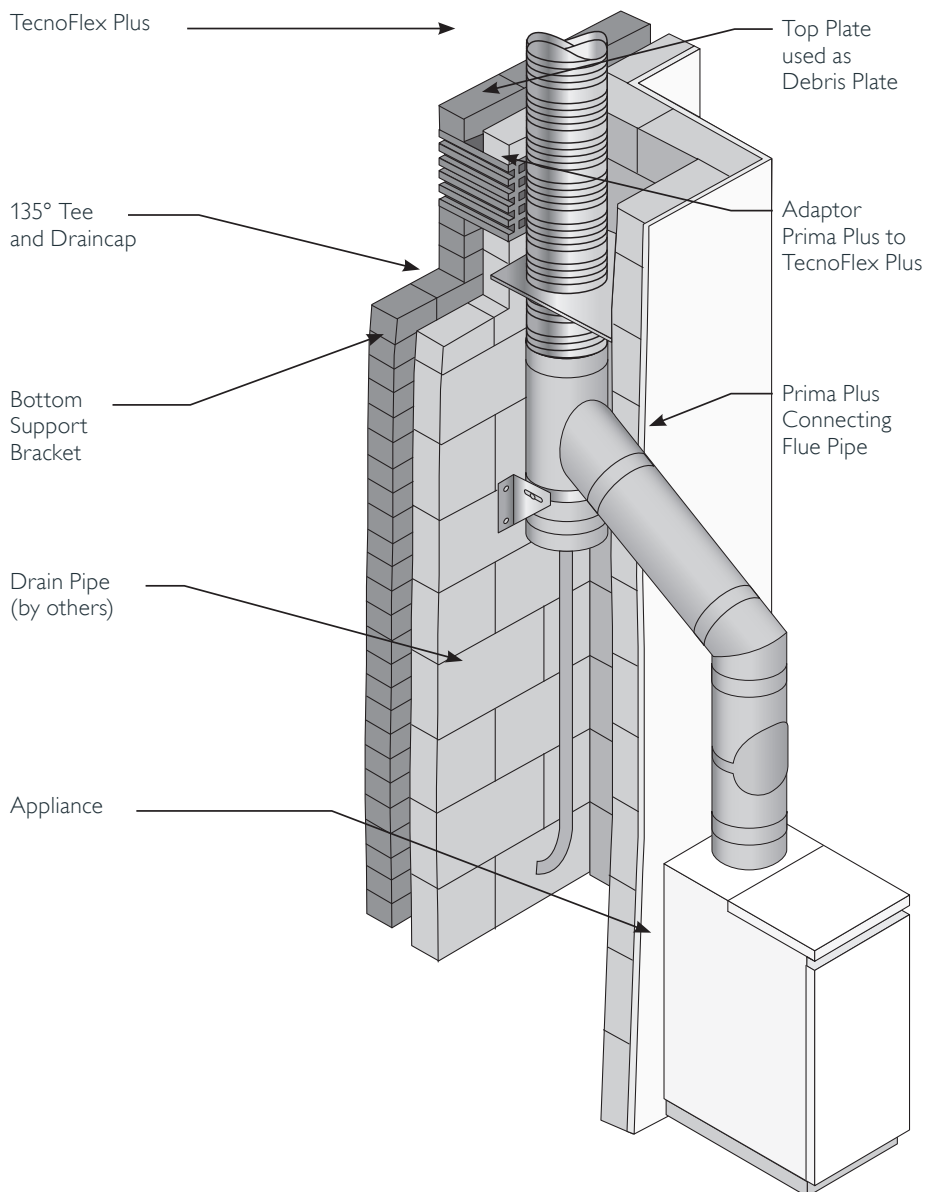
Provided the diameter and type of flex is suitable for the new appliance to be fitted and the installer has inspected the liner and is satisfied with its condition the liner can be reused.

However, as the lifespan of the previous appliance and liner may not be known, it is strongly recommended the old flue liner is removed, the chimney swept, then a suitable new liner installed.

USE OF FLUE LINER ON CONDENSING APPLIANCES

TecnoFlex Plus can be used on condensing appliances, which have pressure at the flue outlet of 200Pa maximum. It is necessary to fit a tee and drain point at the base of the vertical system, adequately supported, and connected to a drainpipe to a suitable drain point (see Fig. 1).

Fig. 1 TYPICAL CONDENSING APPLIANCE CONNECTION



TecnoFlex Plus – Flexible Twin Wall Liner

TecnoFlex Plus is available in diameters: 80, 100, 125, 155, 180, 200, 230, 250, & 300mm. Packaging options for Ø80-200mm are shown on p.3. For Ø230-300mm TecnoFlex Plus is available in cut lengths of up to a maximum length of 12m.

Screw Fit Accessories



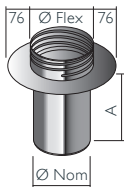
Adaptor - Plain End to TecnoFlex Plus								4044
Int Ø mm	98/125	122/125	122/155	146/155	146/180	176/180	176/200	196/200
Ø Flex	125	125	155	155	180	180	200	200
Ø Nom	98	122	122	146	146	171	171	196
SAP Code	110227	110363	110459	110765	110848	111153	111290	111502



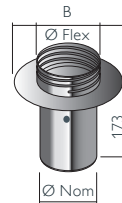
Extended Adaptor - Plain End to TecnoFlex Plus		4049
Int Ø mm	121/125	147/155
Ø Flex	155	155
Ø Nom	125	150
SAP Code	111420	111427



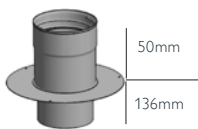
Increaser - Eccentric Plain End to TecnoFlex Plus		4051
Int Ø mm	125/155	125/155
Ø Flex	155	155
Ø Nom	125	125
SAP Code	110151	110151



Closure Plate Adaptor Kit (Loose Plate)		
Int Ø mm	121/155	147/155
A	300	300
Ø Flex	155	155
Ø Nom	125	150
SAP Code	112090	112091



Closure Plate Adaptor with test point			
Int Ø mm	125	147/155	125/155
Ø Flex	125	125	155
Ø Nom	125	125	125
Ø B	148.3	148.3	310
SAP	175667	175669	175668

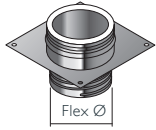


Adjustable Closure Plate SW to Flex			
Int Ø mm	125/125	125/155	147/155
Ø Flex	125	125	150
Ø Nom	125	155	150
SAP	151945	151946	151947

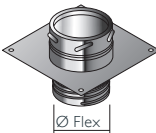


Adaptor - Prima Smooth to TecnoFlex Plus					PS0E3
Int Ø mm	125/125	125/155	150/155	180/180	200/200
Ø Flex	125	155	155	180	200
Ø Nom	125	125	150	200	200
SAP Code	110176	119949	110411	120028	119947

Screw Fit Accessories



Adaptor - TecnoFlex Plus to ICS 25				
Int Ø mm	125/130	155/150	180	200
Ø Flex	125	155	180	200
Ø Nom	130	150	180	200
SAP Code	142630	142631	142632	142633



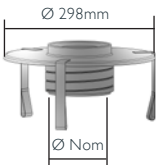
Adaptor - TecnoFlex Plus to ICID				
Int Ø mm	125/125	155/150	180/180	200/200
Ø Flex	125	155	180	200
Ø Nom	125	150	180	200
SAP Code Plain	142587	142595	142589	142590
SAP Code Black	142591	142596	142593	142594



Adaptor - Prima Plus to TecnoFlex Plus										SOE3
Int Ø mm	80	100	130/125	150/155	180	200	230	250	300	
Ø Flex	80	100	125	155	180	200	230	250	300	
Ø Nom	80	100	130	150	180	200	230	250	300	
SAP Code	-	-	110053	110189	106899	106900	-	106902	106903	



Adaptor - TecnoFlex Plus to Prima Plus					4040
Int Ø mm	125/130	155/150	180	200	
Ø Flex	125	155	180	200	
Ø Nom	130	150	180	200	
SAP Code	110052	110188	106912	106913	



Pot Hanger				4047
Int Ø mm	125	155	180	
SAP Code Unpainted	175987	175988	175989	
SAP Code Painted	175990	175991	175992	



Terminal					4048
Int Ø mm	125	155	180	200	
SAP Code	111292	111583	111957	112183	



Combined Pot Hanger & Terminal					4050
Int Ø mm	125	155	180	200	
SAP Code Terracotta	175444	175446	133826	133827	
SAP Code Unpainted	-	-	133863	133864	
SAP Code With Mesh	175441	175441	152864	152865	

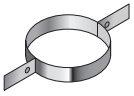


Screw Fit Joiner - TecnoFlex Plus to TecnoFlex Plus				4038
Int Ø mm	125	155	180	
SAP Code	110297	110536	110691	



Nosecone						4042
Int Ø mm	80	100	125	155	180	
SAP Code	-	-	109953	109950	110513	

TecnoFlex Plus Accessories



Top Clamp 4003

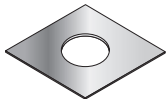
Int Ø mm	80	100	125	155	180	200	230	250	300
SAP Code	106937	106938	125116	126427	106945	106946	106947	106948	106949

This item is used in conjunction with the Top Plate to secure the liner at the top of the stack. Can also be used as an intermediate support.



Top Insert 4003

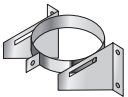
Int Ø mm	100	125	155	180	200	230	250	300
SAP Code	124692	125120	126430	126563	127140	127734	128154	128662



Top Plate 4002

Int Ø mm	80	100	125	155	180	200	230	250	300
SAP Code	130501	124690	125117	126428	126560	127138	127732	128152	128661

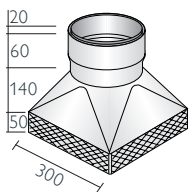
This item is used in conjunction with the Top Clamp to support the liner at the top of the stack. Can also be used as an intermediate support.



Bottom/Intermediate Support Bracket 4009

Int Ø mm	80	100	125	155	180	200	230	250	300
SAP Code	130499	124607	125114	126425	126558	127136	127729	128149	128658

For use where a Tee is fitted to the base of the stack. Can also be used as an intermediate support.



Gather Unit 4033

Int Ø mm	180	200
SAP Code	126556	127135

Triplelock Plus – Flexible Single Wall Liner

TRIPLELOCK PLUS IS AVAILABLE IN 2 PACKAGING OPTIONS:



Option 1 - Shrink Wrap Packs (Ø 100-125mm only)

Length (m)	6	7	8	9	10	11	12
Liner & Clamp Plate Ø100*	124513	124518	124522	124526	124631	124635	124488
Liner & Clamp Plate Ø125*	125036	125043	125047	125051	125000	125004	125008
Liner, Clamp Plate & Terminal Ø125	125035	125042	-	125050	124999	125003	125007

* When ordering these codes, a terminal must be ordered separately where required.



Option 2 - Reels (Ø 100-200mm only)

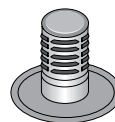
Hex Type	Description	Internal Ø mm				
	Reel Length	100	125	150	180	200
Triplelock	80m	124546	125182	-	-	-
	50m	-	-	125883	-	-
	30m	-	-	-	126610	127183

Triplelock Plus Accessories



FGC Economy Terminal

Int Ø mm	100	125	150
Old Code	7T26100	7T27125	T28150
SAP Code	130743	130744	130745

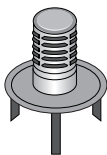


Uniterm Type A

7T05125

Int Ø mm	125
SAP Code	125431

This Uniterm assembly is designed to be installed to a potless chimney. (Typical 9" x 9" stack) Tested and Certified to BS715: 1993

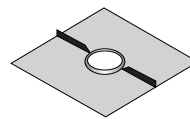


Uniterm Type B

7T04125

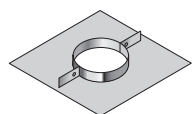
Int Ø mm	125
SAP Code	125431

This Uniterm assembly is designed to be installed to a potless chimney. (Typical 9" x 9" stack) Tested and Certified to BS715: 1993



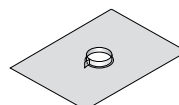
Clamp Plate (2 Piece)

Int Ø mm	100	125	150
Old Code	7T29100	7T30125	7T31150
SAP Code	124693	125121	125817



Clamp and Plate

Int Ø mm	180	200
Old Code	7T32180	7T33200
SAP Code	126566	127143



Debris Plate

0164

Int Ø mm	100	125
SAP Code	124695	125123

This item is used to seal the space between the liner and the chimney at the base of the stack.

Flue Boxes

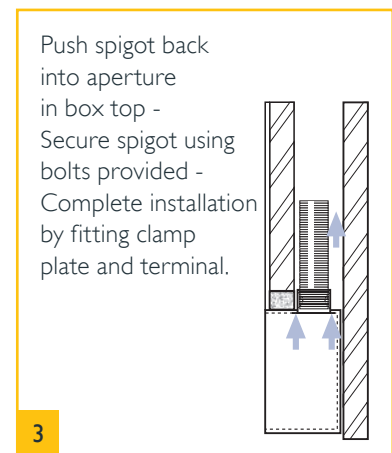
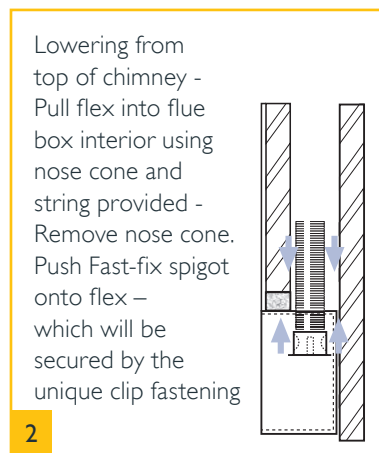
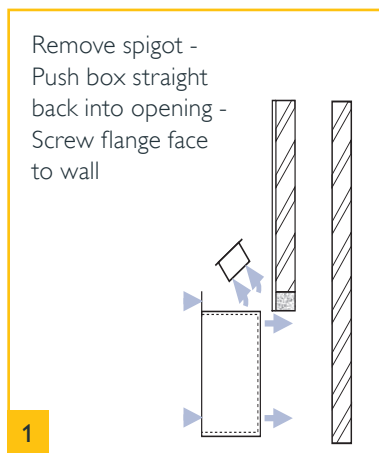
WHICH FLUE BOX & LINER TO CHOOSE

Type of Fire	Specification	Specification	Flue Type & Size
Radiant	Suitable for radiant and convector radiant gas appliances using natural gas or liquid propane	Standard Recessed VRV T/Wall VRV S/Wall GF Box	Diameter 125mm Flex conforming to BS EN1856-2 Diameter 125mm B Vent conforming to BS EN1856-1
Back Boiler Unit	Combined Appliances: Gas fires/Back boiler	Back Boiler Box for Flex	Diameter 125mm Flex conforming to BS EN1856-2 Diameter 125mm B Vent conforming to BS EN1856-1
Living Flame Fires	Inset live fuel effect live fires up to 15kw	ILFE Box Flex/TecnoFlex Plus	Flex conforming to BS EN1856-2 Diameter as per appliance requirement

Fast Fix Spigot

For existing chimneys the flue box is normally connected to a flexible chimney liner. Schiedel Rite-Vent's unique new Fast-fix spigot makes the job much quicker and easier than before. Fast-fix greatly reduces the need for expensive builder's work and costly repair after completion of the installation.

FAST FIX WORKS LIKE THIS

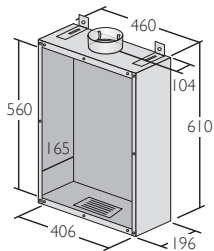


Flue Boxes

Standard Flue Box

SAP Code	125417
Old Code	0182125

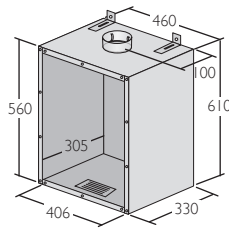
Designed for use with radiant and decorative gas fires complying to BS 7977-1. Constructed with an aluminium liner and coated steel outer case.



Recessed Flue Box

SAP Code	125134
Old Code	0183125

Designed with the spigot at the rear, for use with larger radiant and decorative gas fires. for gas fires to BS 7977-1.

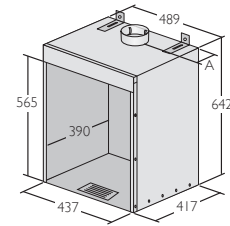


ILFE Flue Box

SAP Code	125129
Old Code	0188125

For use with Triplelock

For use with Inset Live Fuel Effect gas fires complying to BS 7977-1, with a heat output not exceeding 7kw.



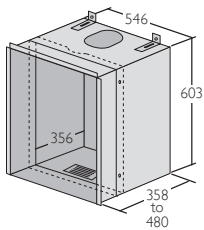
	A
Flex	122
Tecno	149

Large Flue Box for Back Boiler

SAP Code	125062
Old Code	0165125

Adjustable in depth from 358mm - 480mm to accommodate a wide range of back boilers. Suitable for fires complying with BS 7977-2.

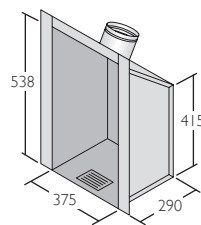
Universal opening allowing connection to the boiler with B Vent or Flex.



GF Flue Box

SAP Code	125414
Old Code	7T98125

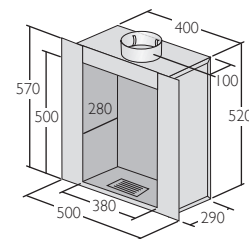
Single wall design with sloping back to help fit some openings. For radiant gas fires complying with BS7977-1.



VRV Twin Wall Flue Box

SAP Code	125189
Old Code	7T95125

Twin wall construction for reduced condensation. Otherwise as VRV Single Skin Box.

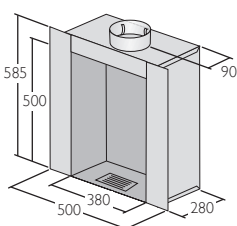


VRV Single Skin Flue Box

SAP Code	125416
Old Code	7T91125

Suitable for fires complying with BS7977-1. Fits most popular radiant gas fires including the widely used Valor Firelite Oxysafe.

Reduced height, extra depth and extra large flanges minimise builders work on installation.



Installation

MANDATORY REQUIREMENTS

Connection to an appliance which is not connected to the fuel supply, should be carried out by a competent person. We recommend the use of HETAS approved installers for solid fuel applications. However connection to an appliance that is connected to the fuel supply, must be carried out by a Gas Safe (Gas) or OFTEC (Oil) registered installer.

PRIOR TO INSTALLATION

In all cases the chimney should be inspected for deterioration and if necessary any remedial work required should be carried out. The chimney should be swept, preferably by a member of NACS (National Association of Chimney Sweeps) or a suitably qualified chimney sweep who would provide a certificate after sweeping and checking, which should be retained for future reference.

The brickwork pointing and the flashings should be checked to ensure they are in good order and corrected as necessary.

INSTALLATION OF THE LINER

Prior to installation of the Flex, we recommend that a test length of approx. 1.5m with a nose cone attached to each end, is pulled through the chimney to ensure that the chimney is suitably sized and free from obstructions. Failure to do so may lead to the warranty being invalidated on the Flex if damage has been caused due to snagging on an obstruction.

The flue liner should be pulled down the chimney using a nose cone and string/rope. All Triplelock Plus packs are supplied with a nose cone. In the case of TecnoFlex Plus, a screw fit nose cone can be purchased and connected to the end of the TecnoFlex Plus by screwing the cone onto the outside of the TecnoFlex Plus.

LINER ORIENTATION

It is essential in the case of twin wall TecnoFlex Plus that the liner is installed the right way up and the liner should not come into contact with the chimney. The arrow on the outside of the liner indicates the direction of flue gas flow and must be pointing upwards towards termination. Triplelock flex can be installed either way up.

BENDING OF THE LINER

Great care should be taken to avoid over-bending or kinking the liner on installation. The minimum bending radii are shown in the table below.

Minimum Bending Radius									
Product	80	100	125	155	180	200	230	250	300
Triplelock Plus	-	250	310	375	450	500	-	-	-
TecnoFlex Plus	240	300	375	465	540	600	690	750	900

INSULATION

Where the chimney is highly exposed or in a large void, then insulation should be considered. If insulation is required, granules such as Vermiculite, should be poured in around the liner from the top of the stack after fitting a suitable debris plate at the bottom of the system. Alternatively a solid tube of high quality insulation can be used.

VENTILATION

Where TecnoFlex Plus is used serving a solid fuel appliance, ventilation between the liner and the inside of the chimney will be required. This is provided by installing two 15mm pipes into the masonry at the top of the stack just below the top plate and clamp, at an angle to prevent the ingress of rainwater. It would also be necessary to install a vent at the base of the stack above the debris plate or the gather unit. This should be an air brick or vent of 20cm. If the cavity is to be insulated with perlite, or tube wrap insulation, then two 15mm pipes at the top of the stack to allow any moisture in the insulation to evaporate freely, must still be provided.

SUPPORT OF THE LINER

Triplelock Plus, which is used exclusively on gas and oil applications, is relatively light and can be supported at the top of the chimney using a clamp plate fixed to the top of the masonry stack.

TecnoFlex Plus, however, is heavier and support may be needed at both top and bottom of the stack. At the top of the stack there are two alternatives:

1. Plate and clamp fixed directly to the existing masonry stack.
2. Pot Hanger/ Combined Pot Hanger & Terminal supporting the weight of the flex using the existing chimney pot. At the base of the stack a bottom support bracket should be used if the total length of liner is >15m.

CUTTING THE LINER TO THE CORRECT LENGTH FOR THE CHIMNEY

After the length of flue liner has been connected to the appliance, allow a sufficient length of liner to protrude above the clamp plate to secure the terminal and then cut, using suitable cutting equipment. At all times extreme care must be taken when cutting the liner and strong industrial gloves plus long sleeved overalls should be worn as cut edges are very sharp. In addition, any tape secured to the ends of the liner, which is provided for safe handling prior to installation, must be removed before completion and commissioning of the full system.

CONNECTION OF THE TERMINAL TO THE FLUE LINER

For Triplelock Plus systems, the terminal should be fitted over the protruding 75mm of liner and rivetted or secured using self tapping screws.

For TecnoFlex Plus systems, please refer to the installation instructions for the various options.

Typical Triplelock Installation

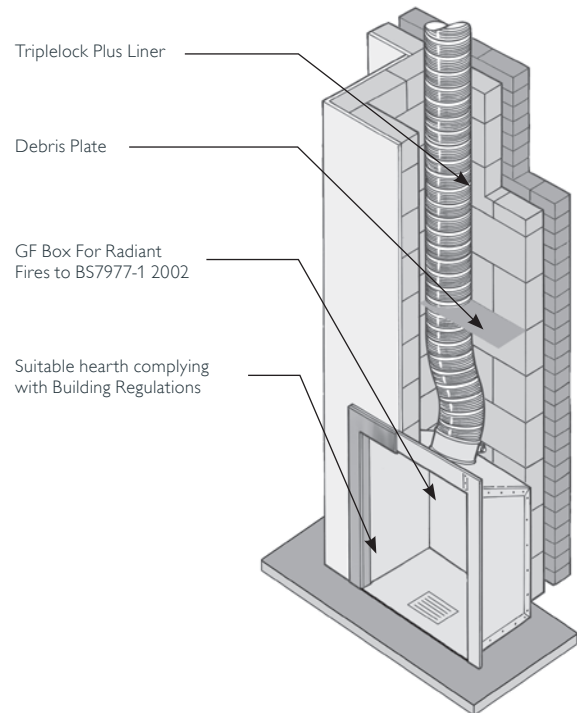
JOINING OF FLEXIBLE FLUE LINER

Flexible flue liners should be installed in continuous lengths without joiners. Schiedel Rite-Vent can supply all flue liners in specific lengths on drums or in pack form upon request. On TecnoFlex Plus installations, joiners are only permitted where the chimney liner length exceeds the maximum length available and details of the installation are agreed in advance, in writing, in compliance with product warranty conditions.

CONNECTION TO THE APPLIANCE OR FLUE BOX

The connection to the appliance should be made using fire cement/rope or high temperature sealant to ensure a positive seal. Where TecnoFlex Plus is to be fitted to the top of an open fire place, a Schiedel Rite-Vent gather unit should be fitted into the throat of the chimney connected to the TecnoFlex Plus and sealed off.

When connecting to a Schiedel Rite-Vent flue box, the flexible liner simply pushes directly on to the fast fix spigot. No sealant is required.



When making a connection to a flue pipe in another product type, such as rigid stainless steel single or double wall or vitreous enamel, then the appropriate connector to/from flexible should be used. The connector should be suitably sealed to the appliance spigot ensuring a gas tight joint.

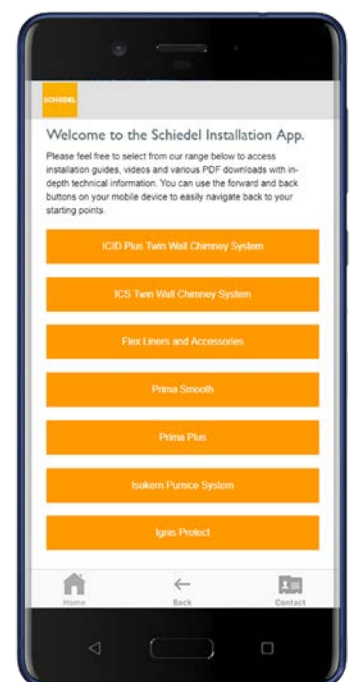
THE SCHIEDEL INSTALLATION APP

This handy mobile guide can be used on mobile devices and touchscreen tablets.

It offers a number of very useful guides on all aspects of installing an appliance using Schiedel Chimney Systems, including:

- Quick and straightforward reference for installers.
- Video breakdowns of each stage of the installation process, from connection to the appliance through to termination.
- Highlighting the safety critical areas where the chimney penetrates the floors, ceilings, roof and walls.
- Incorporates frequently asked questions information at each stage of the installation process, in line with building regulations.
- An easy-to-use system for downloading full product information and installation instructions.
- Register your Guarantee in the App.

Download the iPhone and iPad version in the App Store and Android version in the Google Play Store.



After Installation

TESTING BEFORE USE

This is done by means of a flue flow test as described in BS15287 Parts 1 & 2 (open appliances & room sealed appliances). This can be summarised as follows:- After a visual and physical check of the joints in the system, and ensuring an adequate air supply for combustion has been provided, close all doors and windows in the room in which the appliance is to be installed. It will be necessary to introduce heat to the flue system for a minimum of 10 mins and possibly up to 30 mins using a blow torch or similar. Position a smoke pellet (providing a performance of 5m³ of smoke in 30 secs burn time) at the intended position of the appliance. The test is satisfactory if there is no significant spillage from the appliance position, no seepage over the length of the system, and discharge only from the terminal. If these conditions are not met, the test has failed and all faults must be rectified before connection of the appliance to the fuel supply.

LIFE EXPECTANCY AND WARRANTIES

We are confident in our products and so offer you (the owner) a generous guarantee in relation to the flexible liner system (the System). Provided that you comply with the conditions stated below, we guarantee to you that the System will be free from defects for whichever is the greater of:

- a period equal to the guarantee period of the appliance to which the Liner is first connected; or
- 20 years.

For recommended fuels listings, please refer to the HETAS Guide www.hetas.co.uk

In the event of a fault developing in the product due to defective materials or faulty manufacture Schiedel Chimney Systems undertake to replace the product only. Schiedel Chimney Systems cannot accept liability nor take any responsibility for the installation, building or redecorating costs or any other consequential losses arising. If any complaint is found to be a result of faulty installation, non-compliance with or abuse contrary to these conditions, the cost of site investigation is chargeable.

The conditions of the guarantee are:

- Correctly sized and installed in accordance with the manufacturer's instructions, current Building Regulations and relevant British and European standards.
- Maintained correctly by a qualified and competent person and maintenance records kept updated for both appliance and chimney/chimney liner.
- Used in combination with an appliance burning only approved fuels in accordance with Schiedel Chimney Systems and the appliance manufacturer's instructions.
- Register your product within 30 days of installation at WWW.SCHIEDEL.COM/UK and provide us with any evidence we reasonably request to prove that your System has been fitted by a HETAS approved installer or if not, has been signed off by a Building Control Inspector prior to use.
- Familiarise yourself with the User Guide and comply with its provisions in full during the lifetime of your usage of the Liner (including by keeping the required records safe). Failure to do so will invalidate any guarantee claim.

For more details about the guarantee visit our website.

1st with a
**LIFETIME
GUARANTEE**



USE AFTER A CHIMNEY FIRE

Whilst TecnoFlex Plus is designed and tested to withstand chimney fire conditions the flue liner could be damaged under the conditions of a chimney fire, and must always be inspected by a suitably qualified individual (e.g. member of the NACS) and replaced as necessary, before using the appliance or fire again.

Schiedel Installer Rewards

Exciting news from Schiedel Chimney Systems for Stove and Chimney Installers! Whenever you register an installation with our easy to use, online guarantee registration portal, you will now accrue points based on the number of installations and installation type.

Once you have reached a minimum of 25 points, you can begin to redeem them for £25 Love2Shop vouchers.

So head on over to the portal and start to register your installations to take full advantage of our Lifetime Guarantee on Flex, and also to start earning points!



Complementary Products and Services from Schiedel Chimney Systems



ICS

Twin Wall Insulated System Chimney for gas, oil and multi-fuel applications.

- Simple push-fit jointing system
- High efficiency Superwool insulation blanket
- Capillary break prevents moisture being drawn through the joint
- 80-300mm Diameter range



PRIMA PLUS

Single Wall Stainless Steel Flue System

- Prima Plus available 0.6mm or 1mm options for domestic multi-fuel stoves
- Prima Plus for large residential & commercial condensing gas & oil appliances & chimney relining
- 80-300mm Diameter range



ICID PLUS

The NEW highly Insulated Twin Wall System Chimney for traditional stoves, pellet stoves, biomass appliances, mini/micro CHP and condensing boilers capable of withstanding positive pressure.

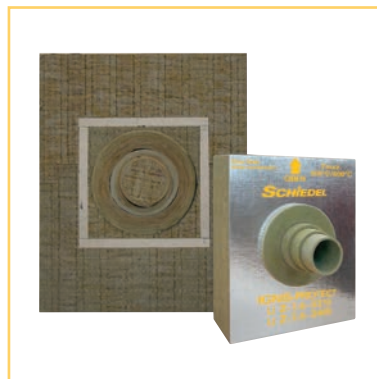
- Easy twist lock connection
- Effective insulation
- 100-200mm Internal diameter range



PRIMA SMOOTH

Single Wall Stainless Steel Connecting Flue Pipe for use on wood and multi-fuel applications.

- 316L Grade stainless steel
- Available in matt black or steel finish
- Excellent aesthetics
- Lightweight
- 125-200mm internal diameters



IGNIS-PROTECT

Designed specifically for Air Tight, Energy Efficient and Timber Framed Buildings

- Suitable for SW and DW connecting flue pipes passing through interior or exterior walls made of combustible materials
- Available in both 90° and 45° version



DM & LINERS

Pumice System Chimneys, Firechests and Liners.

- Pumice is a natural insulator, able to maintain the temperature of flue gases
- Lightweight – allowing one person to lift and build the chimney units
- Pumice expands and contracts less with temperature change than other chimney systems.

SCHIEDEL

Schiedel Chimney Systems Ltd.
Crowther Road, Crowther Ind. Est.
Washington, Tyne & Wear
NE38 0AQ
Tel: +44 191 4161150

sales.uk@schiedel.com
www.schiedel.com/uk

SCHIEDEL INSTALLER REWARDS

Exciting news from Schiedel Chimney Systems! Whenever you register an installation with our easy to use, online guarantee registration portal, you will now accrue points based on the number of installations and installation type to redeem for Love2Shop vouchers!



Follow us on Social Media @SchiedelUK



A standard
INDUSTRIES COMPANY