

Bleacher Sight Line & Space Calculation

Code (for illustration and space charts)

- "A" Depth of gymnasium seating extended
- "B" Depth of gymnasium seating closed
- "C" Height of unit (top row seat height)
- "D" Balcony height
- "E" Wall Tie height

S = Seat spacing (22", 24", 26", 30", 32", or 33")
 R = Rise (10 1/4" or 11 1/2")

Table of Dimensions (metric equivalents in centimeters)

No.	Extended Dimension (Forward-Fold*)						Seatboard Height**	Wall Tie Height**	Seatboard Height**	Wall Tie Height**
	22" Span (56 cm)	24" Span (61 cm)	26" Span (66 cm)	30" Span (76 cm)	32" Span (82 cm)	33" Span (84 cm)	"C"	"E"	"C"	"E"
	Ft. (cm)	Ft. (cm)	Ft. (cm)	Ft. (cm)	Ft. (cm)	Ft. (cm)	10-1/4"(26cm) Rise	10-1/4"(26cm) Rise	11-1/2"(29cm) Rise	11-1/2"(29cm) Rise
3	5'-1/2" (154)	5'-2-1/2" (159)	5'-6-1/2" (170)	6'-6-1/4" (199)	6'-8-1/4" (204)	6'-9-1/4" (207)	3'-1" (94)	1'-7" (48)	3'-4-3/4" (103)	1'-9-1/2" (55)
4	6'-10-1/2" (210)	7'-2-1/2" (220)	7'-8-1/2" (236)	9'-1/4" (275)	9'-4-3/16" (285)	9'-6-1/4" (291)	3'-11-1/4" (120)	2'-5-1/4" (74)	4'-4-1/4" (132)	2'-9" (84)
5	8'-8-1/2" (266)	9'-2-1/2" (281)	9'-10-1/2" (302)	11'-6-1/4" (352)	12-3/16" (367)	12'-3-1/2" (374)	4'-9-1/2" (146)	3'-3-1/2" (100)	5'-3-3/4" (161)	3'-8-1/2" (113)
6	10'-6-1/2" (322)	11'-2-1/2" (342)	12'-1-1/2" (368)	14'-1/4" (428)	14'-8-3/16" (448)	15'-1/4" (458)	5'-7-3/4" (172)	4'-1-3/4" (126)	6'-3-1/4" (191)	4'-8" (142)
7	12'-4-1/2" (378)	13'-2-1/2" (403)	14-2-1/2" (434)	16'-6-1/4" (504)	17'-4-3/16" (529)	17'-9-1/4" (542)	6'-6" (198)	5'-0" (152)	7'-2-3/4" (220)	5'-7-1/2" (171)
8	14'-2-1/2" (434)	15'-2-1/2" (464)	16'-4-1/2" (500)	19'-1/4" (580)	20'-3/16" (611)	20'-6-1/4" (626)	7'-4-1/4" (224)	5'-10-1/4" (178)	8'-2-1/4" (249)	6'-7" (201)
9	16'-1-1/2" (490)	17'-2-1/2" (525)	18'-6-1/2" (566)	21'-6-1/4" (656)	22'-8-3/16" (692)	23'-3-1/4" (710)	8'-2-1/2" (250)	6'-8-1/2" (204)	9'-1-3/4" (278)	7'-6-1/2" (230)
10	17'-10-1/2" (546)	19'-2-1/2" (586)	20'-8-1/2" (632)	24'-1/4" (733)	25'-4-3/16" (773)	26'-1/4" (793)	9'-0-3/4" (276)	7'-6-3/4" (230)	10'-1-1/4" (308)	8'-6" (259)
11	19'-8-1/2" (601)	21'-2-1/2" (647)	22'-10-1/2" (698)	26'-6-1/4" (809)	28'-3/16" (854)	28'-9-1/4" (877)	9'-11" (302)	8'-5" (256)	11'-0-3/4" (337)	9'-5-1/2" (288)
12	21'-6-1/2" (657)	23'-2-1/2" (708)	25'-1/2" (764)	29'-1/4" (885)	30'-8-3/16" (936)	31'-6-1/4" (961)	10'-9-1/4" (328)	9'-3-1/4" (283)	12'-0-1/4" (366)	10'-5" (317)
13	23'-4-1/2" (713)	25'-2-1/2" (769)	27'-2-1/2" (830)	31'-6-1/4" (961)	33'-4-3/16" (1017)	34'-3-1/4" (1045)	11'-7-1/2" (354)	10'-1-1/2" (309)	12'-11-3/4" (395)	11'-4-1/2" (347)
14	25'-2-1/2" (769)	27'-2-1/2" (830)	29'-4-1/2" (896)	34'-1/4" (1037)	36'-3/16" (1098)	37'-1/4" (1129)	12'-5-3/4" (380)	10'-11-3/4" (335)	13'-11-1/4" (424)	12'-4" (376)
15	27'-1/2" (825)	29'-2-1/2" (891)	31'-6-1/2" (962)	36'-6-1/4" (1114)	38'-8-3/16" (1180)	39'-9-1/4" (1213)	13'-4" (406)	11'-10" (361)	14'-10-3/4" (454)	13'-3-1/2" (405)
16	28'-10-1/2" (881)	31'-2-1/2" (952)	33'-8-1/2" (1028)	39'-1/4" (1190)	41'-4-3/16" (1261)	42'-6-1/4" (1296)	14'-2-1/4" (432)	12'-8-1/4" (387)	15'-10-1/4" (483)	14'-3" (434)
17	30'-8-1/2" (937)	33'-2-1/2" (1013)	35'-10-1/2" (1094)	41'-6-1/4" (1266)	44'-3/16" (1342)	45'-3-1/4" (1380)	15'-0-1/2" (458)	13'-6-1/2" (413)	16'-9-3/4" (512)	15'-2-1/2" (463)
18	32'-6-1/2" (993)	35'-2-1/2" (1074)	38'-1/2" (1160)	44'-1/4" (1342)	46'-8-3/16" (1423)	48'-1/4" (1464)	15'-10-3/4" (484)	14'-4-3/4" (439)	17'-9-1/4" (541)	16'-2" (493)
19	34'-4-1/2" (1048)	37'-2-1/2" (1135)	40'-2-1/2" (1226)	46'-6-1/4" (1418)	49'-4-3/16" (1505)	50'-9-1/4" (1548)	16'-9" (510)	15'-3" (465)	18'-8-3/4" (570)	17'-1-1/2" (522)
20	36'-2-1/2" (1104)	39'-2-1/2" (1196)	42'-4-1/2" (1292)	49'-1/4" (1495)	52'-3/16" (1586)	53'-6-1/4" (1632)	17'-7-1/4" (536)	16'-1-1/4" (491)	19'-8-1/4" (600)	18'-1" (551)
21	38'-1/2" (1160)	41'-2-1/2" (1257)	44'-6-1/2" (1358)				18'-5-1/2" (562)	16'-11-1/2" (517)	20'-7-3/4" (629)	19'-0-1/2" (580)
22	39'-10-1/2" (1216)	43'-2-1/2" (1318)	46'-8-1/2" (1424)				19'-3-3/4" (588)	17'-9-3/4" (543)	21'-7-1/4" (658)	20'-0" (610)
23	41'-8-1/2" (1272)	45'-2-1/2" (1379)	48-10-1/2" (1490)				20'-2" (614)	18'-8" (569)	22'-6-3/4" (687)	20'-11-1/2" (639)
24	43'-6-1/2" (1328)	47'-2-1/2" (1440)	51'-1/2" (1556)				21'-0-1/4" (640)	19'-6-1/4" (595)	23'-6-1/4" (716)	21'-11" (668)
25	45'-4-1/2" (1384)	49'-2-1/2" (1501)	53'-2-1/2" (1622)	CONSULT FACTORY	CONSULT FACTORY	CONSULT FACTORY	21'-10-1/2" (666)	20'-4-1/2" (621)	24'-5-3/4" (746)	22'-10-1/2" (697)
26	47'-2-1/2" (1440)	51'-2-1/2" (1562)	55'-4-1/2" (1689)				22'-8-3/4" (692)	21'-2-3/4" (647)	25'-5-1/4" (775)	23'-10" (726)
27	49'-1/2" (1495)	53'-2-1/2" (1622)	57'-6-1/2" (1755)				23'-7" (718)	22'-1" (673)	26'-4-3/4" (804)	24'-9-1/2" (756)
28	50'-10-1/2" (1551)	55'-2-1/2" (1683)	59'-8-1/2" (1821)				24'-5-1/4" (744)	22'-11-1/4" (699)	27'-4-1/4" (833)	25'-9" (785)
29	52'-8-1/2" (1607)	57'-2-1/2" (1744)	61'-10-1/2" (1887)				25'-3-1/2" (770)	23'-9-1/2" (725)	28'-3-3/4" (863)	26'-8-1/2" (814)
30	54'-6-1/2" (1663)	59'-2-1/2" (1805)	64'-1/2" (1953)				26'-1-3/4" (796)	24'-7-3/4" (751)	29'-3-1/4" (892)	27'-8" (843)

* For Reverse-Fold or Mobile Operation, ADD 4 1/2" to Extended Dimension.
 ** For Closure Board / Last Deck Height, SUBTRACT 6 3/8" from Seatboard Height (Typical all seating surfaces).

Closed Dimension

No. Rows	Forward-Fold ^{2,3}			Reverse-Fold ^{1,3}			Mobile ³
	Manual	Friction	Non-Friction	Manual	Friction	Non-Friction	Manual
	22 / 24	22 / 24	22 / 24	22 / 24	22 / 24	22 / 24	22 / 24
3-10	3'-2-5/8" (98)	3'-2-5/8" (98)	3'-8-1/2" (113)	3'-8-1/4" (112)	5'-8-1/4" (173)	5'-8-1/4" (173)	3'-6-1/4" (107)
11-12	3'-2-5/8" (98)	3'-2-5/8" (98)	3'-8-1/2" (113)	5'-8-1/4" (173)	5'-8-1/4" (173)	5'-8-1/4" (173)	3'-6-1/4" (107)
13	3'-2-5/8" (98)	3'-2-5/8" (98)	3'-8-1/2" (113)	5'-8-1/4" (173)	5'-8-1/4" (173)	5'-8-1/4" (173)	3'-6-1/4" (107)
14	3'-2-5/8" (98)	3'-2-5/8" (98)	5'-4-1/2" (163)	5'-8-1/4" (173)	5'-8-1/4" (173)	5'-8-1/4" (173)	3'-6-1/4" (107)
15	3'-2-5/8" (98)	3'-2-5/8" (98)	5'-4-1/2" (163)	Not Recommended	5'-8-1/4" (173)	5'-8-1/4" (173)	Not Recommended
16-20	Not Recommended	3'-2-5/8" (98)	5'-4-1/2" (163)	Not Recommended	5'-8-1/4" (173)	5'-8-1/4" (173)	Not Recommended

Closed Dimension – Wide Deck (Wall Attached Only)

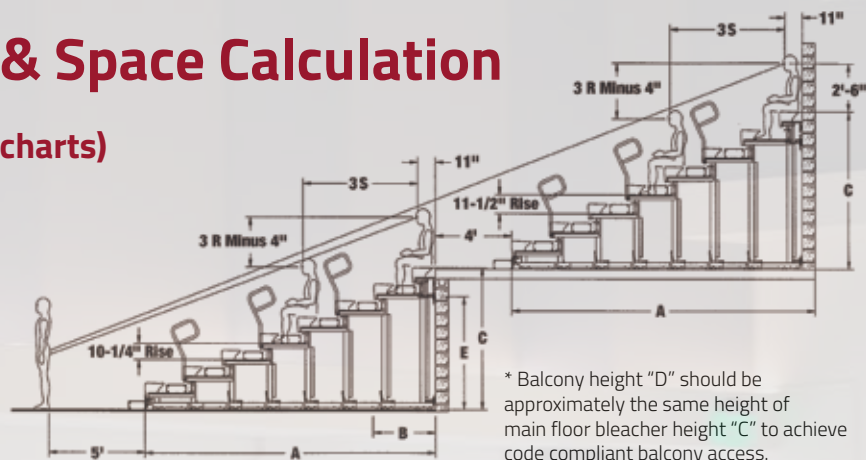
No. Rows	Manual			Power*		
	30"	32"	33"	30"	32"	33"
3-10	4'-0-1/4" (123)	4'-2-1/2" (128)	4'-3-1/2" (131)	4'-0-1/4" (123)	4'-2-1/2" (128)	4'-3-1/2" (131)
11-20	Not Recommended	Not Recommended	Not Recommended	4'-0-1/4" (123)	4'-2-1/2" (128)	4'-3-1/2" (131)

*All dimensions for the power section of this chart are based on the Wide Track power system.



5981 East Cork
 Kalamazoo, MI 49048
interkal.com
 Phone: 269.349.1521
 Fax: 269.349.6530
 Email: sales@interkal.com

©Interkal, Kalamazoo, MI Printed in U.S.A. Rev: 010325



* Balcony height "D" should be approximately the same height of main floor bleacher height "C" to achieve code compliant balcony access.



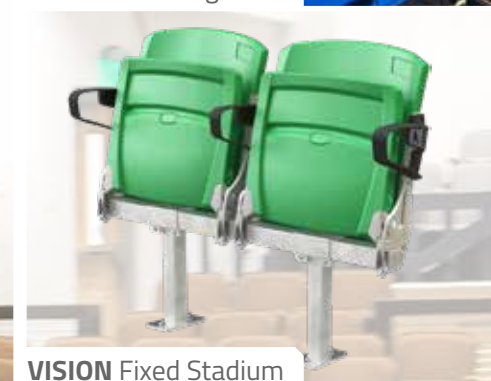
Stadium Seating



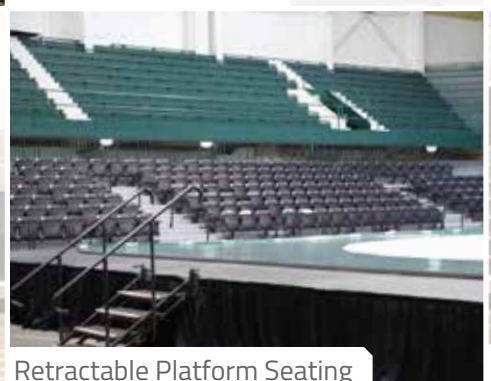
AURA Slat Stadium



VISION Platform



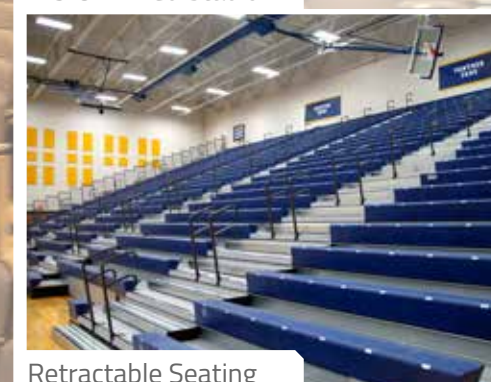
VISION Fixed Stadium



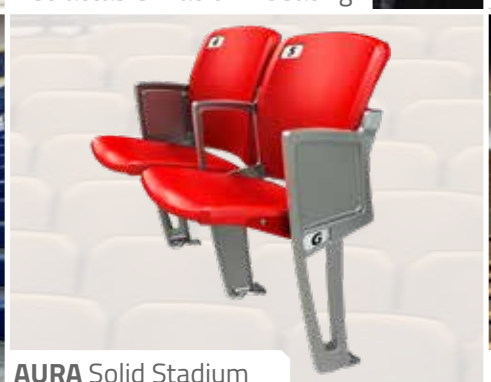
Retractable Platform Seating



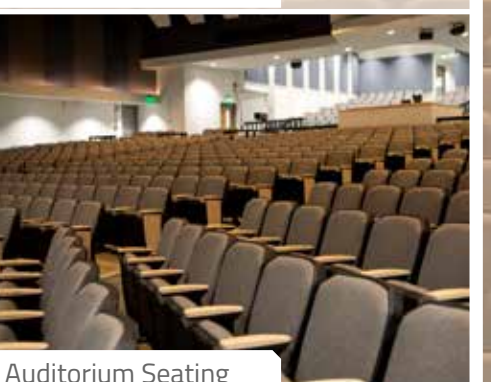
ODYSSEY Auditorium



Retractable Seating



AURA Solid Stadium



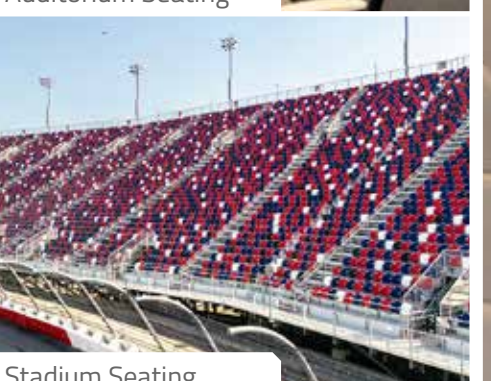
Auditorium Seating



COMFOBACK Backrest



POLARIS Multi-Purpose Seat



Stadium Seating



EXCEL Seat Module



Retractable Platform Seating



PRODUCT CATALOG

TABLE OF CONTENTS




ESM™
Excel Seat Module
PAGE 4



POLARIS™
Multi-Purpose Seat
PAGE 12



NEW
VISION™
Fixed Stadium Chair
PAGE 20



CSM™
Contour Seat Module
PAGE 6



VISION™
Platform Chair
PAGE 14



AURA™
Solid Stadium Chair
PAGE 22



CLASSIC WOOD
Bench Seating
PAGE 8



NEW
ODYSSEY
Auditorium Chair
PAGE 16



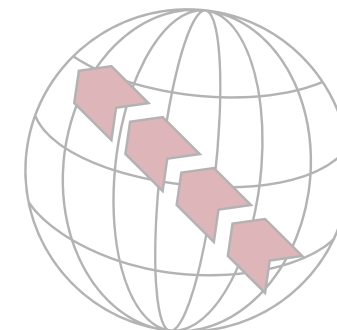
AURA™
Slat Stadium Chair
PAGE 24



COMFOBACK®
Contoured Backrest System
PAGE 10



UNITED™
Platform Chair
PAGE 18



15 Standard Plastic Colors!

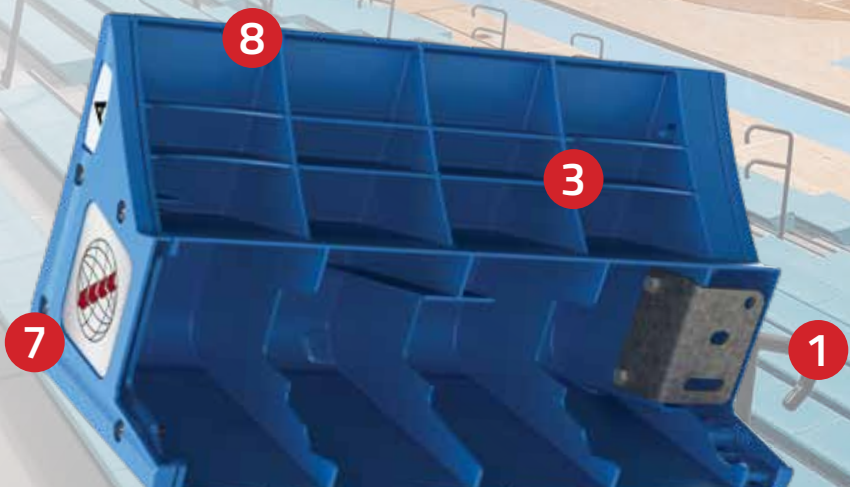
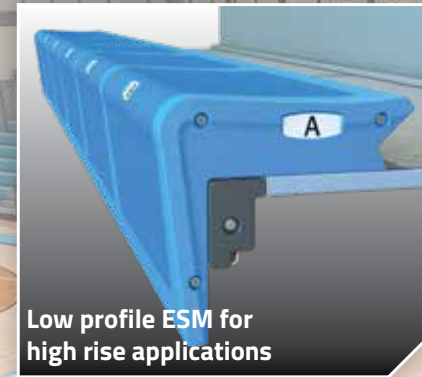
Choose from our wide range of standard colors for many Interkal seating types. All seating color options are complemented by light grey or black polydeck.

Color depictions will differ from actual color. Please contact your local Interkal representative to verify your color selection and request a color sample

Custom colors are available upon request.

Hunter Green 26	Green 04	Purple 09
Michigan Blue 25	Royal Blue 44	Light Blue 03
Brown 40	Gold 02	Tan 01
Burgundy 05	Red 06	Orange 20
Black 08	Gray 10	White 22

EXCEL Seat Modules (ESM) provide strength, durability and excellent spectator comfort



ESM™

Excel Seat Module

Modules are constructed of one-piece injection molded high strength polyethylene which resists stains and will not splinter or warp. The molded-in solid color will not fade or wear out.

18" wide seat modules are anatomically contoured and provide a minimum adult seat height of 16-1/2" to achieve greater spectator comfort. The contoured front provides more legroom!

The modular design clearly delineates each seat space and allows for ease of replacement should it ever become necessary. Modules are available in 10" and 12" depths. Add our ComfoBack contoured backrest for premium VIP seating!

Show your school spirit by incorporating any of our 15 different color options! Go for a solid color choice or create lettering with complementary colors.

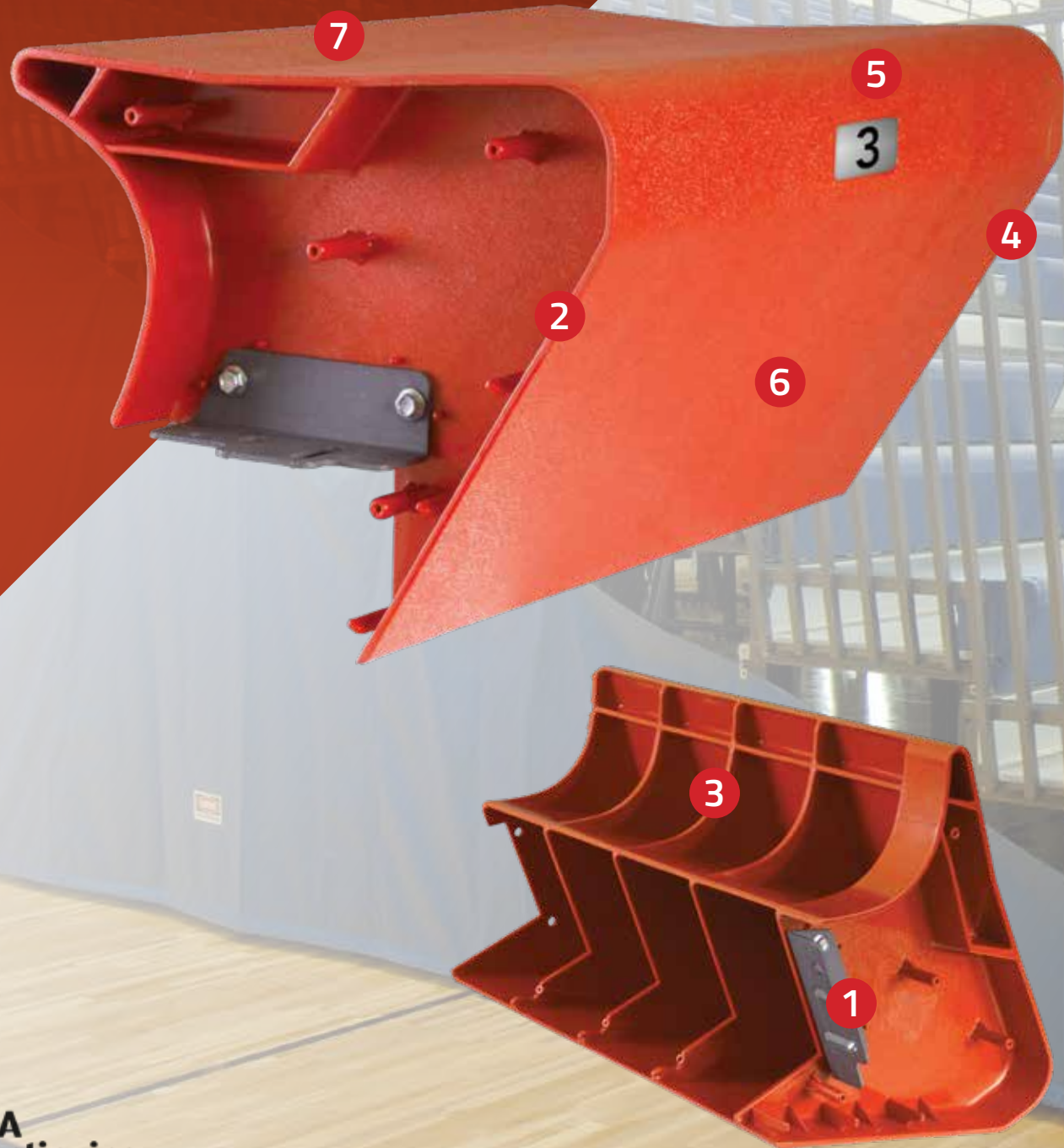
Features

- 1 For maximum rigidity, the specially designed attaching clamp provides a steel-to-steel connection of the module to the 14 gauge steel nosebeam
- 2 Each module incorporates a full perimeter interlock to secure one module to the next for increased strength
- 3 Five vertical and three lateral ribs inside each module provide excellent support
- 4 Honeycomb design for unmatched vertical support
- 5 Full adult seat height of 16-1/2"
- 6 Optional aisle and seat numbers
- 7 Vandal-proof snap-lock feature with end caps, and optional end cap logos
- 8 Available in 10" (254mm) and 12" (305mm) seat depths

ESM with optional ComfoBack® Backrest System

Greeley High School
(Greeley, CO)

CONTOUR Seat Modules (CSM) provide excellent leg room and spectator comfort



CSM™ Contour Seat Module

Modules are constructed of one-piece injection molded high strength polyethylene which resists stains and will not splinter or warp. The molded-in solid color will not fade or wear out.

18" wide seat modules are anatomically contoured with a 12" standard seat depth and provide a minimum adult seat height of 17" to achieve greater spectator comfort. The angled "waterfall" front is highly functional, providing 30% more leg room than competitive products.

The modular design clearly delineates each seat space and allows for ease of replacement should it ever become necessary. Modules are available in 10" and 12" depths. Add our ComfoBack contoured backrest for premium VIP seating!

Show your school spirit by incorporating any of our 15 different color options! Go for a solid color choice or create lettering with complementary colors.

Features

- 1 For maximum rigidity, the specially designed attaching clamp provides a steel-to-steel connection of the module to the 14 gauge steel nosebeam
- 2 Each module incorporates a full perimeter interlock to secure one module to the next for increased strength
- 3 Five vertical and two lateral ribs inside each module provide excellent support
- 4 Full adult seat height of 17"
- 5 Optional aisle and seat numbers
- 6 Waterfall design provides 30% more legroom for optimal spectator comfort
- 7 Available in 10" (254mm) and 12" (305mm) seat depths

Classic Wood provides an iconic look to your facility, while retaining comfort and durability.

CLASSIC WOOD

Bench Seating

A standard in the telescopic seating industry, the Classic Wood Bench Seating is made of southern yellow pine lumber and beautifully finished to match any facility.

Features

- Dense southern yellow pine, grade BB or better
- Laminated, edge-glued, and finger-jointed construction of wood boards for greater strength and durability
- All boards finished on both sides and all edges
- Seats and front risers firmly secured every 36" to welded steel seat supports which attach to the continuous nosebeam for excellent stability
- Triple-sanded and sealed with moisture-resistant urethane
- A high-gloss urethane applied for added protection and to accentuate the richness and beauty of the wood
- Standard wood thickness is 1" nominal (3/4" actual). Custom 5/4" nominal seat board available upon request
- Standard seat board depth is 8-7/8". 10" deep wood seat boards are available upon request



VIP Upgrade

Ergonomically designed backrests for maximum comfort at an affordable price



ComfoBack® with Polaris

ComfoBack® with ESM



COMFOBACK®

Automated Contoured Backrest

This fully automatic backrest is raised and lowered with telescopic operation, requiring no labor. A concealed spring mechanism inside the cast aluminum uprights performs the action, as well as eliminates any pinching hazard.

Features

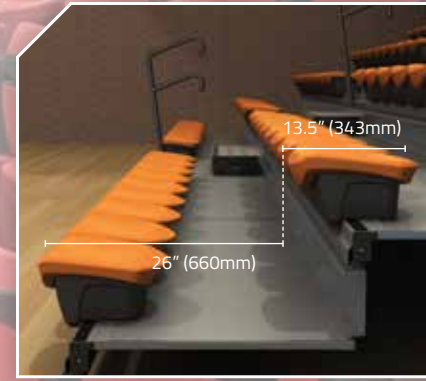
- 1 Fully Automatic Operation**
Backrest is raised and lowered during routine telescopic operation.
- 2 Superior Comfort**
Blow molded, ergonomically designed contoured back for superior comfort
- 3 Concealed Spring Mechanism**
The spring is embedded inside cast aluminum uprights to eliminate pinching hazard
- 4 Black Powder-Coated**
Cast aluminum uprights are durable and aesthetically pleasing.
- 5 Color Selection**
Available in 15 standard color options. Choose either contrasting or matching color options to fit your facility and show off school spirit!

Dimensions

- 18" wide - Available with 30", 32" and 33" spans. Requires 11-1/2" rise.
- Available with 10" deep **ESM** in row spacing of 28", 30", 32", and 33" (711mm, 762mm, 813mm, and 838mm)
- Available with 12" deep **ESM** in row spacing of 30", 32", and 33" (762mm, 813mm, and 838mm)
- Available with 13.5" deep **POLARIS** in row spacing of 30", 32", and 33" (762mm, 813mm, and 838mm)

AIA
Continuing
Education
Provider

The **POLARIS** is a unique combination of bench and chair, offering unique flexibility for telescopic seating.



POLARIS with optional ComfoBack® Backrest System

Polaris with armrest cup holders

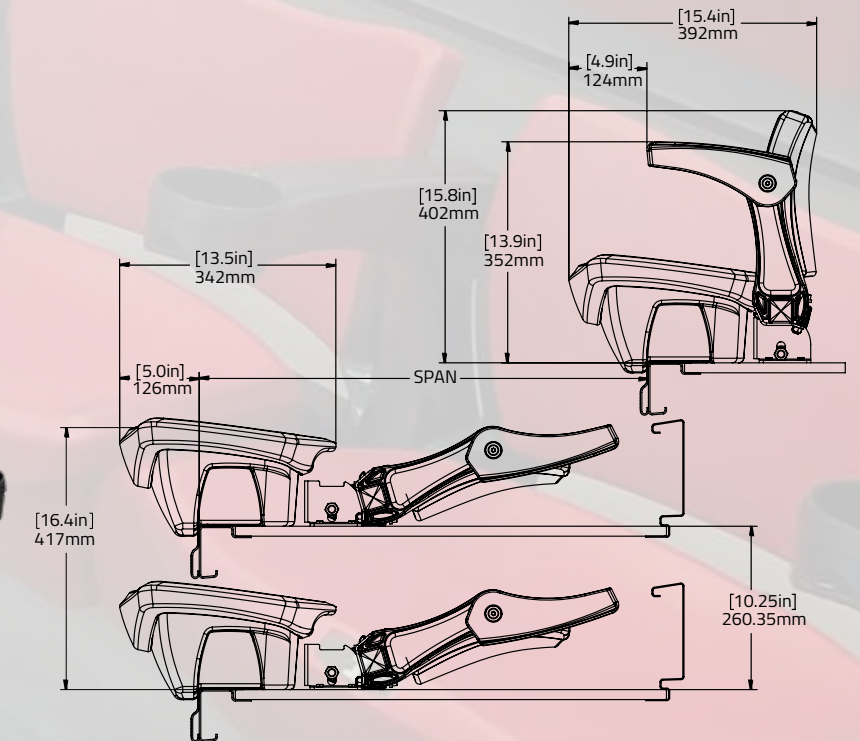
POLARIS™

Multi-Purpose Seat

Available in matching and contrasting colors the contoured, blow-molded components offer unsurpassed comfort in a 13.5" (343mm) bench seat depth. The backrest has the ideal amount of elasticity to give you the lumbar support you need to ensure a comfortable experience for the duration of your stay.

Flexible Seating Options

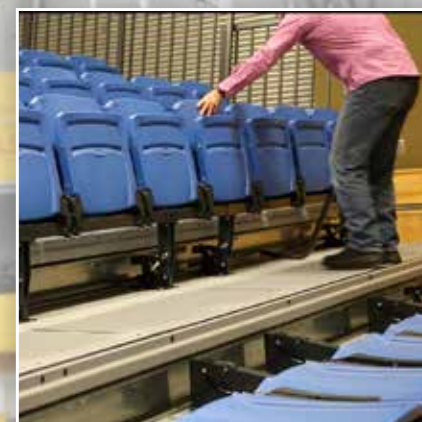
- **Bench Only**
Available in seat widths from 18" - 23" (457mm - 584mm)
Requires a minimum of 26" (660mm) row spacing
- **Bench with Back**
Available in seat widths from 18" - 23" (457mm - 584mm)
Requires a minimum of 28" (711mm) row spacing
- **Bench with Back and Armrests**
Available in seat widths from 20" - 23" (508mm - 584mm)
Requires a minimum of 28" (711mm) row spacing
- **Bench with Back and Armrest Cup Holders**
Available in seat widths from 20" - 23" (508mm - 584mm)
Requires a minimum of 30" (762mm) row spacing



The **VISION Platform Chair** provides a unique combination of comfort and structural integrity



VISION with optional Tablet Arms



VISION™ Platform Chair

The VISION is made from a combination of blow-molded plastic components and cast aluminum brackets that are nested within the seat pan for durability. The chair maintains its seat pan width from front to back to make for a comfortable experience for patrons of all shapes and sizes.

Optional Accessories

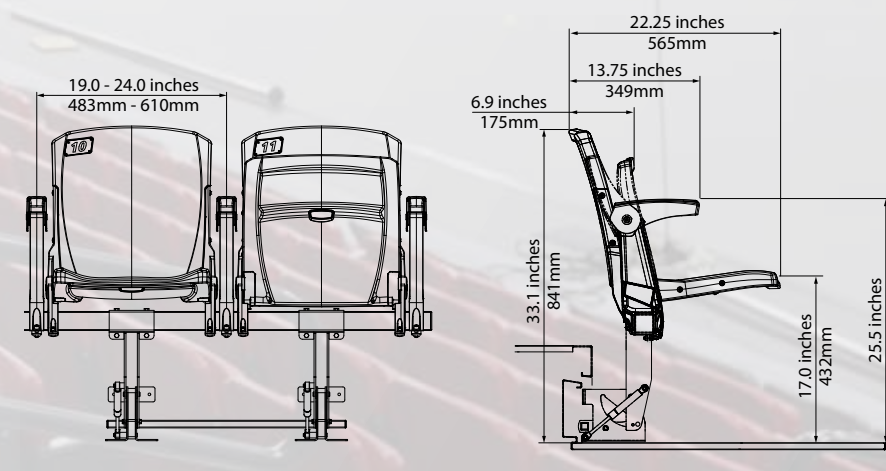
- Cup holders (20" minimum seat width)
- Upholstered seat and back onserts
- Tablet arms
- Seat numbers and row letters
- Available in 15 standard colors

Three Types of Fold Down Operation to Accommodate Your Individual Needs

- **Manual Operation (top)** is the simplest and is done completely by hand. The first row of VISION chairs are typically manual operation.
- **Semi-Manual Operation (middle)** includes gas struts to assist with the opening and closing of rows. With the assisted release, the struts help lower the chairs slowly and softly, greatly extending chair life.
- **Semi-Automatic Operation (bottom)** includes gas struts to assist with manual opening and automatic closing of the rows. As the telescopic system is retracted, the chair rows fold automatically into the stack.

Dimensions

- Available in 19.0" to 24.0" (483mm – 610mm) seat widths
- Minimum 10-1/4" (260.35mm) rise per row
- 18" (457mm) wide seats available in an armless option
- Available in 30", 32", and 33" (762mm, 813mm, and 838mm) row spacing



The **thoughtfully designed** Odyssey Auditorium Chair lets you complement your facility's aesthetic while offering your audience a luxurious seating experience.



Shown with optional
Armrest Cup Holders
and End Panels



Available with
Optional Tablet Arms



ODYSSEY

Auditorium Chair

Features

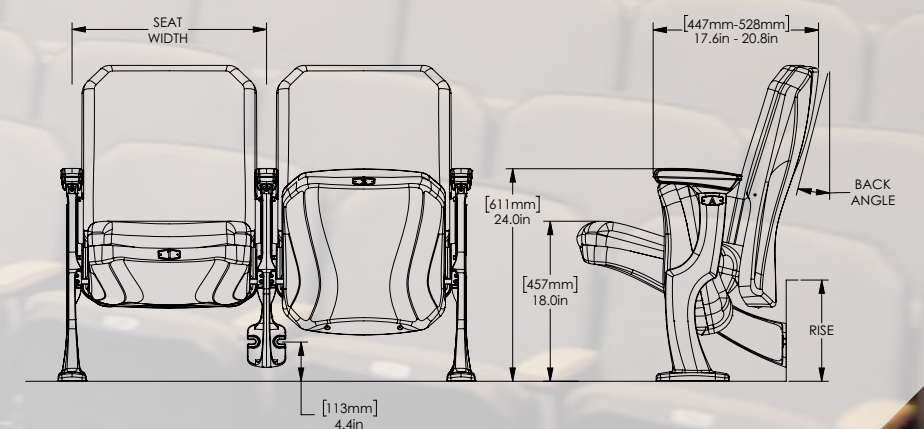
- Molded and contoured foam to maximize comfort (back foam: 2" thick, pan foam: 3" thick).
- 100% polyolefin upholstery fabric that is nearly impervious to damage. Available in multiple standard options; custom fabrics also available.
- Die cast aluminum stanchions allow for elegant design and superior strength. Compatible with both floor mount (including sloped floor) and riser mount applications.
- Injection molded polymer back and pan covers, available in black or grey. The bold design curves give a fresh look to auditorium seating.
- Contoured armrests are injection molded polymer and available in black or grey. Solid hardwood options (in your choice of maple or oak in a variety of finishes) and thermo-laminated vinyl are also available.

Accessories

- End panels are offered in multiple profiles. Finish options include stained wood veneer, solid color laminate, or 3D laminate pattern.
- Aisle lights can be mounted to an end panel or directly to the stanchion.
- Number and row plates are available in a variety of metallic finishes and are mechanically fastened.
- Foot covers conceal anchor bolts to help complete the look of the chair (only available with floor mounted seating).

Appearance

- Floor mounting is available for sloped floors up to 10°
Riser mount option requires minimum 7.5" (191mm) rise
- Seat widths available from 19" - 24" (483mm - 610mm)
- Available in both a high back (36") and low back (33") option with angle options from 12°, 15°, 18°, and 21°



The United Chairs' unique flexibility allows for endless options in both fixed and telescopic applications



UNITED™ Platform Chair

Offering all the styling and comfort of an auditorium chair combined with complete flexibility, the United is suitable for both fixed seating and telescopic installations. The optional pocket sprung seat pan provides a luxurious feel to the chair and its unique rising action creates wide, safe walkways.

Features

- Self-rising design, with auto-rise armrest and the backrest acting as a counterweight
- Compact dimensions when closed
- High backrest for concert-level comfort
- Optional protective plastic panel to the back
- Pocket sprung seat core for outstanding support
- Elegant curved timber armrests

Accessories

- Timber Outer Back
- Tablet Arms
- Seat Numbers
- Row Letters
- Cup Holders

AIA
Continuing
Education
Provider

The **VISION Fixed Stadium Chair** provides a unique combination of comfort and structural integrity



VISION™

Fixed Stadium Chair

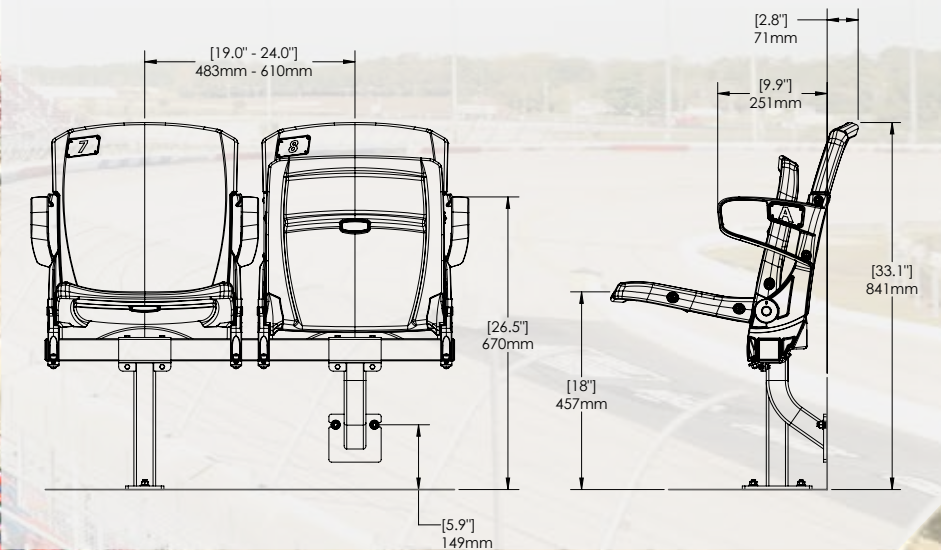
The VISION is made from a combination of blow-molded plastic components and cast aluminum brackets that are nested within the seat pan for durability. The chair maintains its seat pan width from front to back to make for a comfortable experience for patrons of all shapes and sizes.

Optional Accessories

- Floor or Riser Mounted Options
- Cup Holders
- Upholstered Seat and Back Inserts
- Seat Numbers and Row Letters
- Durable Nylon Armrests
- Available in 15 standard colors (*UV Protected*)

Dimensions

- Available in 19.0" to 24.0" (483mm – 610mm) seat widths
- Minimum 10-1/4" (260.35mm) rise per row
- 18" (457mm) wide seats available in an armless option
- Available in 30", 32", and 33" (762mm, 813mm, and 838mm) row spacing



AIA
Continuing
Education
Provider

Darlington Raceway
(Darlington, SC)

The **AURA Stadium Chair** is designed for ergonomic comfort and outstanding appearance.



Available with back and seat pan inserts for upgraded spectator comfort



AURA™

Solid Stadium Chair

Unmatched Comfort, Style, and Durability

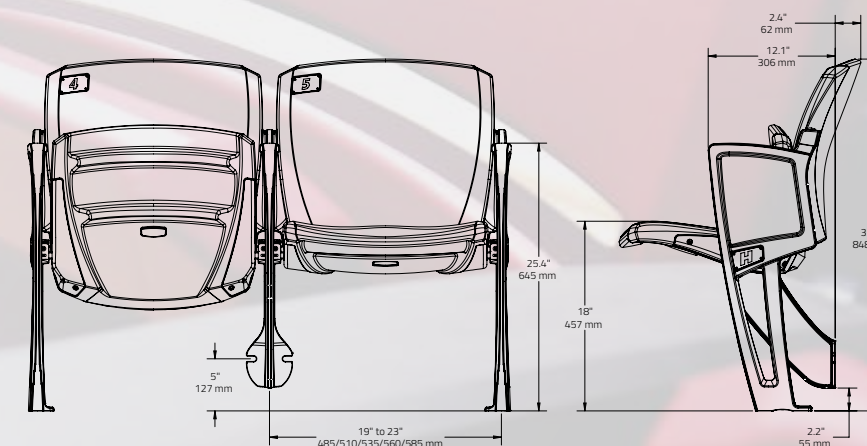
Powder-coated cast aluminum stanchions will not rust, ensuring that your AURA stadium chairs will maintain their new look for many years to come.

Features & Optional Accessories

- Floor or Riser Mounted Stanchions
- Armrest or Rear Mounted Cup Holders
- Upholstered Inserts
- Slow-Rise Pan Mechanism
- ADA Easy Access Stanchions or Flip-Up Armrest (floor mount only)
- Seat Numbers and Row Letters
- 15 Standard Colors
- End Stanchion Logos



Utilizing the proven design of a stanchion-to-stanchion cross shaft through the seat pan, the AURA provides strength and durability that can be counted on over time.



Sweetland Amphitheatre at Boyd Park
(LaGrange, GA)

AIA
Continuing
Education
Provider

The **AURA Stadium Chair** is designed for ergonomic comfort and outstanding appearance.



Available with seat pan inserts for upgraded spectator comfort

AURA™

Slat Stadium Chair

Unmatched Comfort, Style, and Durability

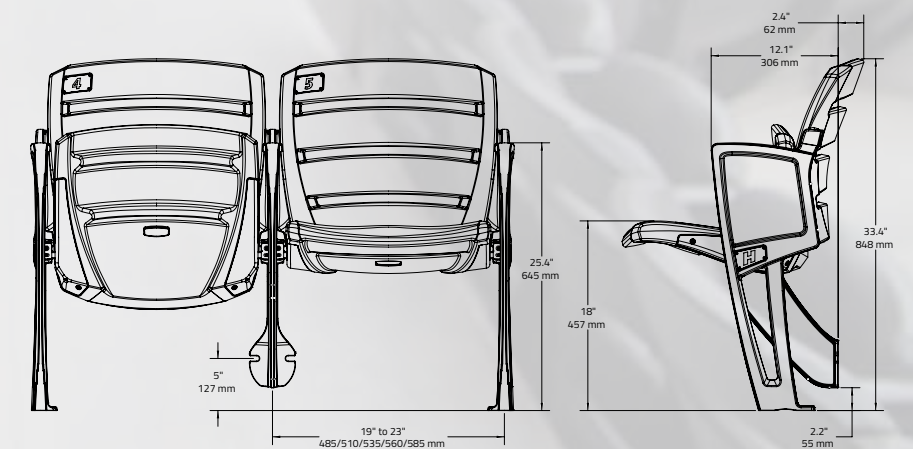
Powder-coated cast aluminum stanchions will not rust, ensuring that your AURA stadium chairs will maintain their new look for many years to come.

Features & Optional Accessories

- Floor or Riser Mounted Stanchions
- Armrest or Rear Mounted Cup Holders
- Upholstered Seat Inserts
- Slow-Rise Pan Mechanism
- ADA Easy Access Stanchion or Flip-Up Armrest (floor mount only)
- Seat Numbers and Row Letters
- 15 Standard Colors
- End Stanchion Logos
- Rear Donor Plates



Utilizing the proven design of a stanchion-to-stanchion cross shaft through the seat pan, the AURA provides strength and durability that can be counted on over time.



AIA
Continuing
Education
Provider

BLACKOUT™

Give your facility distinction with extraordinary character! **BLACKOUT** lets you upgrade your telescopic platforms in our tiered stages for a truly customized look!



B1

- **Black Polyethylene Laminated Deck Boards, Fascia Panels, Back Panels, and End Panels**
- **Black Kick Boards**
- **Extruded Black PVC Nose Beam Covers**



B2

- **Black Polyethylene Laminated Deck Boards, Fascia Panels, Back Panels, and End Panels**
- **Black Aluminum Trim** encapsulating all polyethylene laminated boards
- **Black Kick Boards**
- **Extruded Black PVC Nose Beam Covers**

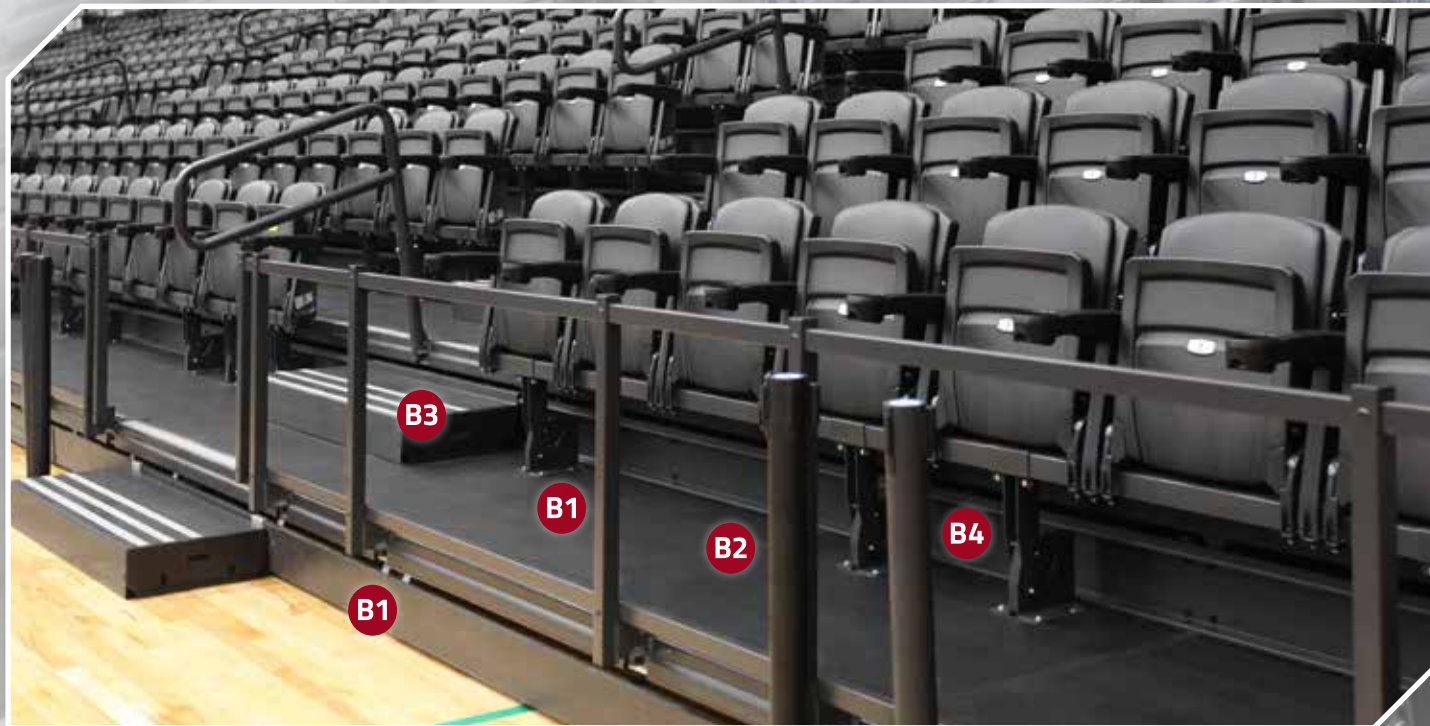


B3

- **Black Polyethylene Laminated Deck Boards, Fascia Panels, Back Panels, and End Panels**
- **Black Aluminum Trim** encapsulating all polyethylene laminated boards
- **Black Intermediate Steps** at all aisle locations
- **Black Kick Boards**
- **Extruded Black PVC Nose Beam Covers**

B4 - Blackout

- **Black Polyethylene Laminated Deck Boards, Fascia Panels, Back Panels, and End Panels**
- **Black Aluminum Trim** encapsulating all polyethylene laminated boards
- **Black Intermediate Steps** at all aisle locations
- **Black Rear Riser Beams** at all rows
- **Black Kick Boards**
- **Extruded Black PVC Nose Beam Covers**



The **STRONGEST UNDERSTRUCTURE** in the Industry!

The Interkal understructure is designed for maximum load bearing capacity and eliminates deflection. It is constructed from the strongest and most durable materials in the industry for dependable performance you can count on for years to come. Because this understructure has fewer moving parts, trouble-free operation is assured with routine maintenance.

1 Sway Bracing: The optimal design of the Interkal system minimizes stress on the vertical supports and ensures the structure will be firmly supported by progressively adjusting the size/shape of the sway bracing as the rows increase and mounting them at lesser angles to the vertical posts.

2 Vertical Posts: Electric-welded continuous 2" x 3" closed seam, rectangular structural steel tubing produces the strongest and safest vertical columns. Post size increases depending on row height and load-bearing requirements.

3 Wheel Channels: Wheel channels are precision formed from a single piece of steel coil for maximum rigidity, and can accommodate up to 6 wheels per channel. Wheels are heavy-duty composition rubber in a 3½" diameter by 1⅞" tread width. All wheels are provided with a ½" diameter steel axle secured with tamper-proof retaining rings, and equipped with oil-impregnated sintered metal bearings to assure smooth operation.



4 Superslide System: The Superslide Guide Rod System is a fully encapsulated 3/8" flexible rod that connects adjacent channels to keep them in alignment while also allowing for consistent operation over uneven floors.



5 Row Locks: Fully automatic row locks engage and release during regular telescopic operation. They stabilize the bleacher under load in the extended position by securely locking each support post to an adjacent post. Individual row locks make it possible to open any number of rows without opening the entire bank of bleachers.



6 Deck Supports: Interkal uses more supports per section deck to minimize the possibility of flexing or uneven movement. By using 5 nylon rollers per section deck the Interkal system ensures quiet, friction-free telescopic operation.

7 Nose Beam: All Interkal seating options incorporate a structural continuous galvanized nose beam, resulting in a uniform understructure. This component provides superior strength, continuous support for the plywood deck, and the flexibility to achieve any aisle location/configuration.

8 Riser Beam: Multi-bend component provides superior structural integrity.

9 Deck Surface: Interkal's structural "H" beam is supported front and rear which eliminates deflection at the joints, providing a more secure walking surface that is aesthetically pleasing.

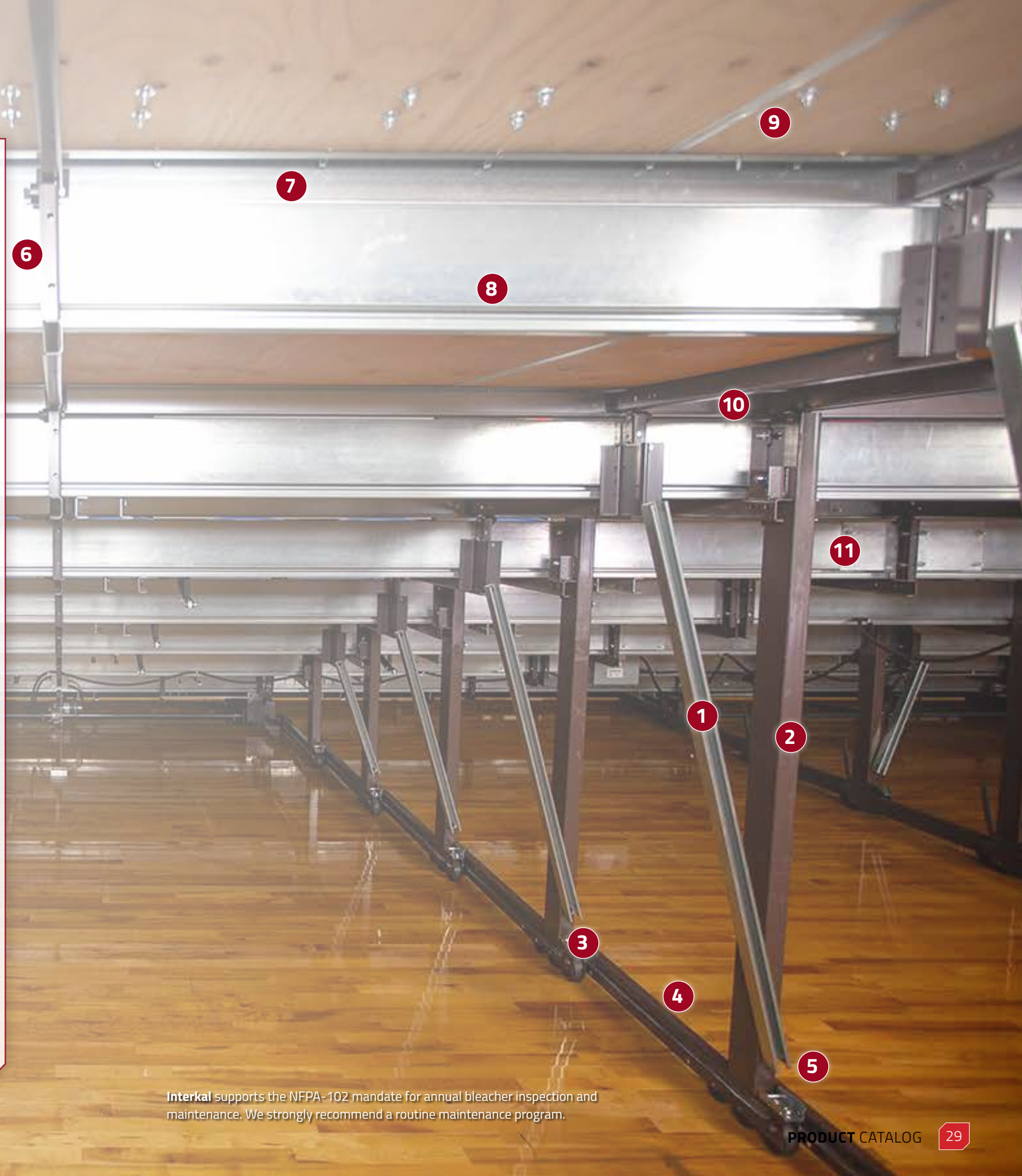
10 Cantilever Arms: Interkal effectively distributes the weight of the structure onto the vertical posts by straddling the vertical post and the inclusion of a 3/16" steel post plate. This creates an incredibly safe understructure.

11 Section Splice Plates: Interkal's massive section splice plates maintain a flush connection between adjoining rear risers and nosebeams, allowing the sections to operate effectively as one unit.

Safety Features

Safety is the first and foremost concern in each and every Interkal design. The following key safety features are standard:

- Limit switches on non-friction automatic power systems
- Plastic covers at every nosebeam exposed end and/or handicap location
- Removable pendant control attaches to the front of the seating system for added visual safety during operation of all automatic power systems
- Rear closure panels to prevent debris from collecting under units
- Aisles and rails in compliance with applicable code requirements



Interkal supports the NFPA-102 mandate for annual bleacher inspection and maintenance. We strongly recommend a routine maintenance program.

APPLICATIONS: Telescopic Systems to Fit a Variety of Facility Configurations

Forward-Fold Systems

This is the most typical application of telescopic seating in which the bleachers open in the forward direction. They are available up to 24 rows (over 24 rows, consult factory) and utilize either wall attachment or free-standing floor attachment.

Reverse-Fold Systems

Reverse-Fold systems are designed for applications where space behind the bleacher stack is desired for other activities when the bleacher is not in use. This is common in areas such as mezzanines or balconies. The reverse-fold system can accommodate up to 18 rows. For applications over 18 rows, please consult the factory.

Recessed Systems

This system requires minimal clearance to fit conveniently under a balcony overhang and maximizes usable floor space when the bleachers are stacked. Add any of our power systems for quick and easy operation. Available with any of the Interkal seating options up to 24 rows. For applications over 24 rows, please consult the factory.

Mobile Systems

These consist of individual sections of bleachers that can be used in one part of a building and stored in another. They offer increased flexibility and are available with any seating option up to 14 rows at 10 1/4" rise and 12 rows at 11 1/2" rise (over 14 rows, consult factory). Portable hydraulic dollies are provided for transport to various spectator or storage areas.

Free-Standing Floor-Attached Systems

For applications where bleachers are required to be located away from walls or when wall construction prohibits attachment (shown here with back rails and back panels).

Custom Seating Arrangements Available:

- Pie-shaped sections for radiused configurations (shown far right)
- Truncated sections / notchouts to comply with the Americans with Disabilities Act (ADA) requirement for wheelchair seating
- Elevated front and rear walkways and cross aisles as required for code compliance, as well as improved sight lines
- Cut-outs for columns that extend out from rear wall

Please consult factory on these and other custom seating arrangements.



Self-Storing Aisle Rails (SSAR)™

The Perfect Solution For Eliminating Set-Up Labor

Interkal's patented Self-Storing Aisle Rail (SSAR) provides automatic set-up, eliminating all labor. The aisle rails store in the deck structure when retracted, creating a virtually flush bleacher stack for improved safety and appearance.

Self-Storing Aisle Rails (SSAR) are fabricated from round steel tube to eliminate sharp corners. Each rail is permanently attached in position with no moving parts to maintain.



Self-Storing Aisle Rails (SSAR) integrate seamlessly into the bleacher stack.



A multi-point connection at the nosebeam provides strength and stability.

Engineering Flexibility Into Your ADA Compliance

Interkal offers a wide variety of solutions to accommodate all of your facility's spectators, team members and officials. From wheelchair accommodations to accommodating courtside equipment, we can provide the right options to meet your needs and the compliance standards.

Below are a selection of the many choices for permanent and recoverable seating that provide flexibility and accessibility. Reach out to your Interkal Dealer to find out how we can assist you with your ADA compliance.



36" wide, 1-row deep single notchout



Double 1-row deep recoverable notchout
Shown in ADA Mode



Recovered 1-row deep truncations



1-row deep double notchout with optional front rail



Double 1-row deep recoverable notchout
Shown in Recovered Mode



Double 1-row deep permanent notchout

POWER SYSTEMS: Efficient and Reliable Operation, Every Time!

Friction Power

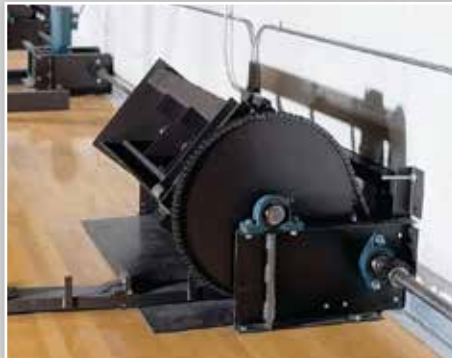
The Interkal Wide Track Power System is U.L. Listed and incorporates friction drive rollers as an integral part of the first row vertical support assembly. The two assemblies are linked together by a continuous drive shaft driven by a 1/2 H.P. 208V, 3-phase motor. This continuous drive shaft controls drive roller operation in a straight, efficient manner - especially important on telescopic bleacher banks that include numerous notchouts or truncations.



Provided with all friction and non-friction powered systems, the pendant switch allows for safe, tamper-free operation. The plug locks into place in the front of the bleacher stack, and the generous cord allows the operator to "walk with" the telescopic bleacher system as it's extending and retracting to ensure proper operation.

Non-Friction Power

This is a fully automatic power system designed to open and close wall-attached, recessed or reverse-fold telescopic bleachers at the touch of a button without the need for traction force on the floor. Typically used for higher-row applications, it has the capacity to move more rows of bleachers than any other mechanical power system developed for the telescopic seating market. Limit switches are used to stop the 2HP, 208-230VAC, 3-phase motor in the fully open or closed positions. The chain drive pusher links assure years of dependable performance as well as non-slip, straight line operation.



Moto-Folder

The Moto-Folder is an alternative to fixed power systems, and a complement to mobile telescopic systems. Able to open/close up to 12 rows of bleachers, the Moto-Folder allows effortless operation of the bleacher stack. The inclusion of large, non-marring white wheels helps to preserve your floor as the Moto-Folder is in use.



Options & Accessories

Customize Your Spectator Seating

At Interkal, it's all about flexibility! You can choose from a wide variety of optional accessories to make your telescopic seating system fit your specific needs. We have the products and engineering expertise to add highly functional, durable and attractive solutions to customize your installation.

Video Platforms

Engineered to provide a stable platform for filming sporting events safely, video platforms are integrated right into the seating system.



Vinyl Side Curtains

Side Curtains finish the ends of the retractable system with a heavy duty laminated vinyl. The curtain has grommets at every hanger location with a chainweight bottom hem. Available in 13 colors.



Removable Timer's Table

This 18"x 96" high pressure laminated work surface has removable legs, can be utilized at any location, and is easily stored within the retractable system.



End Panels

End Panels are designed to deter access behind units while in the stored position. Both end panels and back panels are constructed of 15/32" AC grade plywood, supported by a steel frame. Panels are finished to match the deckboard surface in light grey polydeck coating and are trimmed with aluminum edging.



Additional Accessories

- Portable Step Assemblies
- Forward travel (*aisle recovery for Reverse-Fold units*)
- Aisle and Seat Numbers
- Column Cut-Outs that extend out from the wall
- Vinyl Ball Deflectors
- Elevated Front and Rear Walkways
- Front Rails
- Extended Back Panels
- Balcony Access Steps
- Aisle Lights
- Barrier Rails
- BLACKOUT Deck Upgrades





Interkal® ...your solution
for spectator seating