

## Mini Big Cart

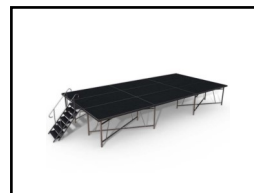


### 9 Deck Mini Big Cart

Many on the team here at Smartstage have worked on stage crews ourselves, so we know it's not just about building beautiful and reliable stage hardware, but also about helping teams get in and out of tight spaces without the hassle of using irregularly sized off-the-shelf transport carts. Our Mini Big transport cart has a 2,400 pound load capacity and is designed to tote 9 stage decks... or whatever else needs to get in and out with ease.

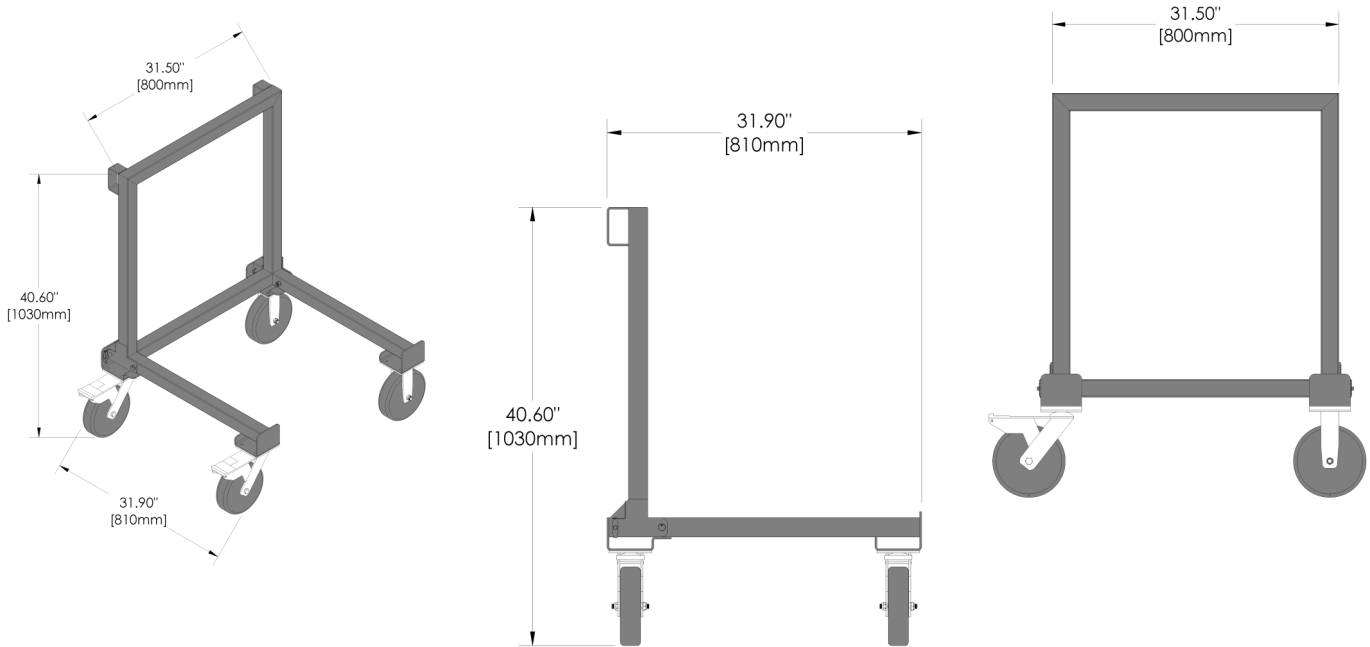


RELATED ITEM:  
STAGE PLATFORM



RELATED ITEM:  
PORTABLE STAGE KIT

# Mini Big Cart



## FEATURES & BENEFITS

- Large carrying capacity (ideal for 9 stage decks)
- Heavy load capacity (up to 2,400 lbs)
- Easy and comfortable surface handling
- Large durable swivel casters for smooth transport
- Soft, non-marking, skid-resistant wheels
- Latching foot brakes to secure cart in position
- Hooking lip to secure decks during transport
- Folding hinge for compact transport
- Able to roll on to truck ramps
- Only needs one person to push
- Durable electrostatically-baked on black finish
- Constructed of solid tubular steel
- Years and years of proven tested durability

## SPECIFICATIONS

- **Load capacity:** 2,500 lbs (1,133.98 kg)
- **Material:** Black Oxide-coated steel
- **Weight:** 80 lbs (36.29 kg)
- **Size:** 31.5" x 40.6" x 31.9" (800mm x 1030mm x 810mm)
- **Tube thickness:** 2" x 2" x .125" (50mm x 50mm x 3mm)
- **Deck capacity:** 9 decks
- **Packing:** Ships flat with wheels detached
- **Wheel assembly:** Vertical bolt, Nyloc upper-most

## DOCUMENTATION

