



www.rittech.com

For more information, please visit our website



Product Data sheet

FO Trunk Cable

RiT-MPO/APC(F)-MPO/APC(F)-G657A2-12F-70 -XXm

Rev. 1.0

RiT Tech (Intelligence Solutions) Co., Ltd.

A light blue triangle is located in the bottom right corner of the page.

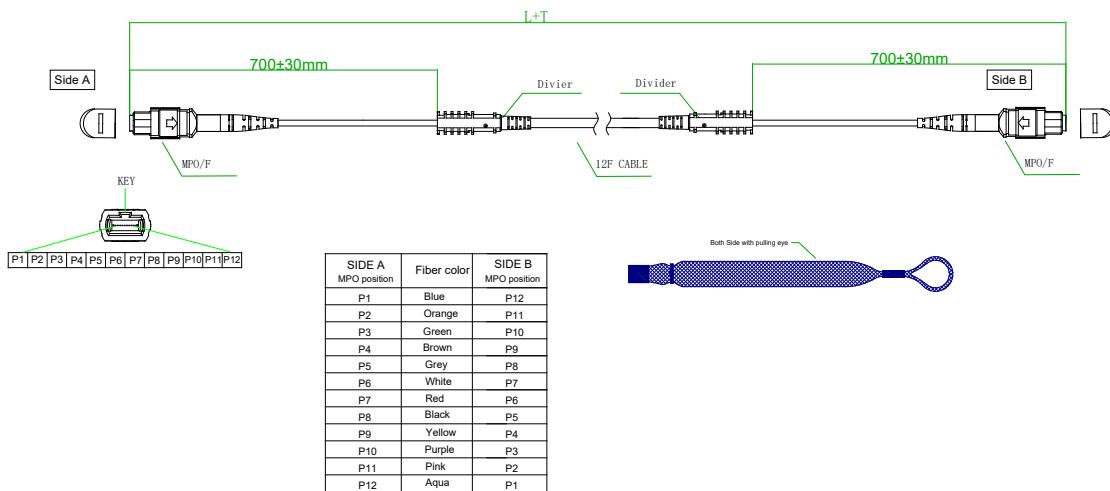
Data sheet

FO Trunk Cable

(MPO/APC(F)-MPO/APC(F)-G657A2-12F-70 -XXm)

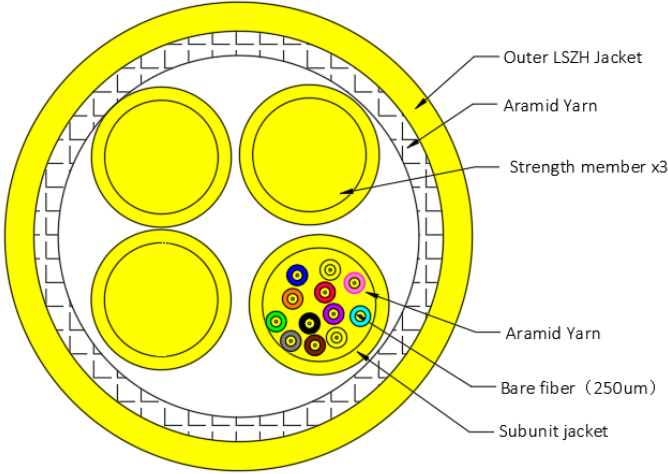
Overview

This product is a Single mode fiber optical trunk cable with MPO/APC female connector at both side. FO cable is 12 cores reinforced cable with LSZH sheath, out diameter is 7.0mm.



Specification

Components	
Connector Side A	MPO/APC female, SM, IEC 61754-7
Connector Side B	MPO/APC female, SM, IEC 61754-7
Cable	GJFH Cable LSZH sheath material, Yellow color
Polarity	Type B, refer to product drawing
Optical Parameters	
Optical fiber	
Fiber type	G657A2, Singlemode
Fiber count	12

Cable attenuation	$\leq 0.4 \text{ dB / km}$ $\lambda = 1310 \text{ nm}$ $\leq 0.3 \text{ dB / km}$ $\lambda = 1550 \text{ nm}$
Connector	
Insertion loss	Max. 0.35 dB @ 1310&1550nm According to IEC 61300-3-4 Method B
Return loss	Min. 60 dB @ 1310&1550nm According to IEC 61300-3-6
Cable Structure	
Outer diameter	7.0±0.3mm
 <p>Outer LSZH Jacket Aramid Yarn Strength member x3 Aramid Yarn Bare fiber (250um) Subunit jacket</p>	
Remark: subunit diameter:2.2mm, strength member diameter:2.0mm	
Mechanical Parameters	
Min. bending radius	
Static	70mm
Dynamic	140mm
Max. Tension strength	
Long term	130N
Short term	660N
Crush resistance	
Long term	200N/10cm
Short term	1000N/10cm
Environmental data	
Operation temperature	-20 °C to +60 °C
Storage temperature	-25 °C to +75 °C



Installation temperature	-10 °C to +50 °C
--------------------------	------------------

Packaging

1 pcs protection by PE film or bag or paper drum
--