

RiT SMARTen (Cat6A) STP Female to Female RJ45 Keystone Jack Coupler can be used to connect two Cat6A STP RJ45 patch cords in the front and the back

## KEY APPLICATIONS

10 Gigabit Ethernet 10GBASE-T  
Gigabit Ethernet 1000Base-T  
HDBaseT  
Voice, T1, ISDN  
Power over Ethernet (PoE)

## STANDARDS COMPLIANCE

ISO/IEC 11801  
ANSI/TIA-568.2-E :2024  
EN 50173-1:2011  
IEEE 802.3 PoE++  
RoHS Compliant

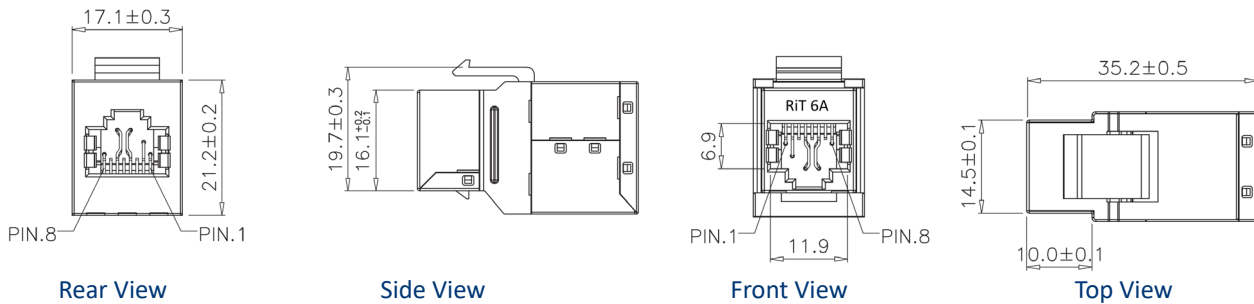
## KEY FEATURES

- Shielded Slim design
- Female to Female Keystone Coupler can be used to connect two Cat6A STP patch cords
- Designed for high density applications
- Compatible with RiT STP patch panels or wall plates (See Compatibility chart)
- Simple assembly and installation for reliable performance
- The Couplers will fit in a standard keystone openings as per IEC 60603-7

## TECHNICAL SPECIFICATION

Dimensions	Compliant to IEC 60603-7
Housing Parts Material	PC+ABS Resin, UL-94V0
Jack Contacts Material	Phosphor bronze
Jack Contacts Plating	50 µin selective gold plate in contact area over Nickel plating
Jack Shielding Material	Bronze, Nickel plating
Jack Contacts Durability	≥ 750 mating cycles (plug in/out)
Plug to Jack Pull strength	7.7 Kg (Intermediate)
Operating Temperature	-10°C to 60°C

## TECHNICAL DRAWING



## COMPATIBILITY WITH RiT STP PRODUCTS

P/N	DESCRIPTION
R2801624	Angled Keystone Copper Frame, STP, 24P, 1U
R2801623	Angled Keystone Copper Frame, STP, 24P, 1U, PFP
R6011000	PV+ Keystone Copper Frame, UTP/STP, 24P
R3735082	Keystone Copper Frame, STP, 24

## ORDERING INFORMATION

P/N	DESCRIPTION
R2808110	CLASSix (CAT6A) RJ-RJ Coupler Keystone Jack Type, STP