



SMART40G (Cat.8) Shielded Field Keystone Jack

Copper | Keystone | Cat. 8



RiT SMART40G (Category 8) Shielded field termination plug is cost-effective building blocks for your cabling system. Meticulously engineered to deliver exceptional performance while streamlining installations. Phosphor bronze IDC contacts ensure excellent conductivity, durability, and outstanding resistance against wear or corrosion. With innovative Jack design, keeps pairs together to streamline the installation process. High quality connectors ensure system reliability and stability by press-fit assembly process.

KEY APPLICATIONS

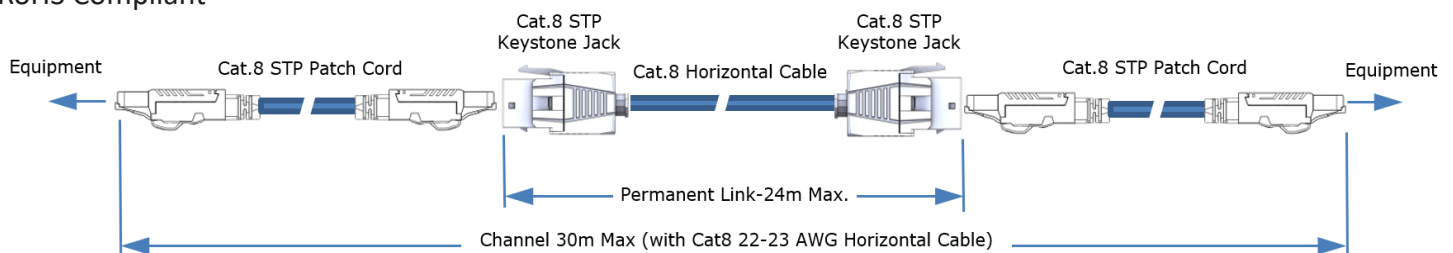
- 25GBASE-T and 40GBASE-T up to 30 Meters with Cat8 22-23 AWG Horizontal Cable
- Suitable for data centers and backbone installations
- Power over HDBaseT (PoH) - up to 100W
- Power over Ethernet IEEE 802.3bt (4PPoE)
- Type 3(60W) and Type 4 (100W)

STANDARDS COMPLIANCE

ISO/IEC 11801-1
 ANSI/TIA/EIA-568.2-E:2024
 IEC 60603-7
 IEEE 802.3bt
 RoHS Compliant

KEY FEATURES

- Cat.8 Performance to supports high-speed protocols: 25GBASE-T and 40GBASE-T up to 30 Meters
- Supports 22-24 AWG solid and Stranded wires and up to Ø 9.0mm O.D. cables
- Fully shielded metal housing provides immunity against EMI and alien crosstalk
- Phosphor Bronze contacts Gold-plated over Nickel provides corrosion resistance and signal conductivity
- Fully backward compatible with Category 6A
- Reliable Jack and Durable Housing
- Easy to Read Wiring Label to Facilitate Installation
- Meets and exceeds Category 8 electrical transmission channel configuration performance



Channel configuration per ANSI/TIA 568.2-E:2024

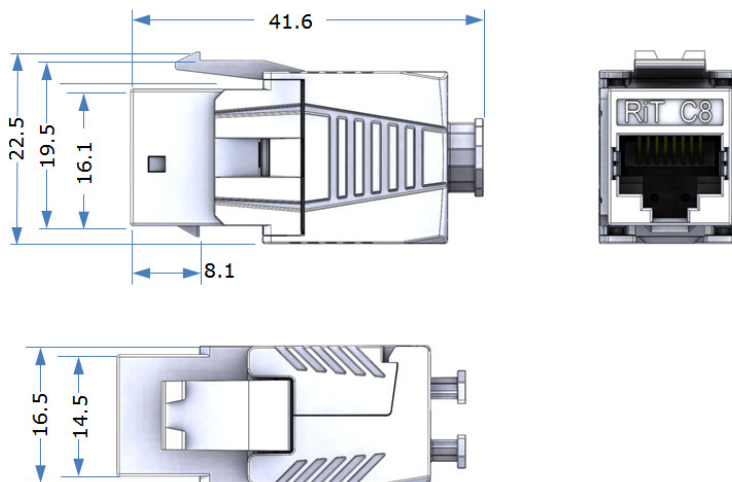
RiT Tech (Intelligence Solutions) Ltd.

5B Atir Yeda St. Kfar Saba, 4464315, Israel | Tel: +972-77-2707270 | Fax: +972-3-6474115 | www.rittech.com

TECHNICAL SPECIFICATION

Keystone Jack Metal Parts	Zinc die-casting with nickel plated
RJ45 Jack contacts	Phosphor Bronze, Nickel plated
RJ45 Jack Contacts finish	50 micro-inch gold plated on plug contact area
RJ45 Jack Grounding Spring Contacts	Stainless Steel
IDC Plastic Housing	PC, Color: White, UL 94-V2
IDC Metal Contacts	Phosphor Bronze, Tin plated
PCB	FR4, UL 94-V0
EMI Shielding	Back adhesive Copper foil tape
Plastic Wire Organizer	PC, Color: White, UL 94-V2
RoHS 2	Directive 2011/65/EU, 2015/863/EU
Wiring	T568A & T568B
RJ45 Jack Dimensions	According to IEC 60603-7
Rj45 Plug Insertion force	3 Kg Max according to IEC 60603-7
Patch Cord retention strength	7.7 Kg Max according to IEC 60603-7
IDC Conductors	Accepts 22-24 AWG Solid and Stranded wires
Operating Temperature:	-10°C +60°C
RJ45 Jack Durability	≥750 Plug-Jack mating cycles
IDC Durability:	≥20 Termination cycles

TECHNICAL DRAWING



ORDERING INFORMATION

P/N	DESCRIPTION
R3110882	SMART40G (Cat.8) STP Keystone Jack, 568A+B