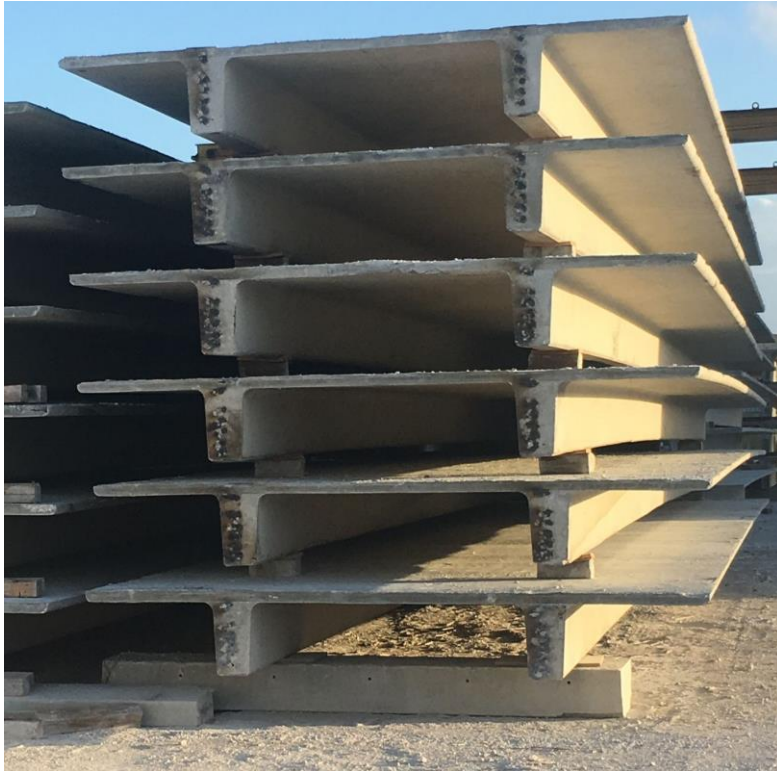




SPI STRUCTURAL
PRESTRESSED
INDUSTRIES, INC.



STANDARD DOUBLE TEE DETAIL

11405 N.W. 138th ST Medley, Florida 33178
Ph: (305) 556-6699 Fax: (305) 556-9696
www.spimiami.com

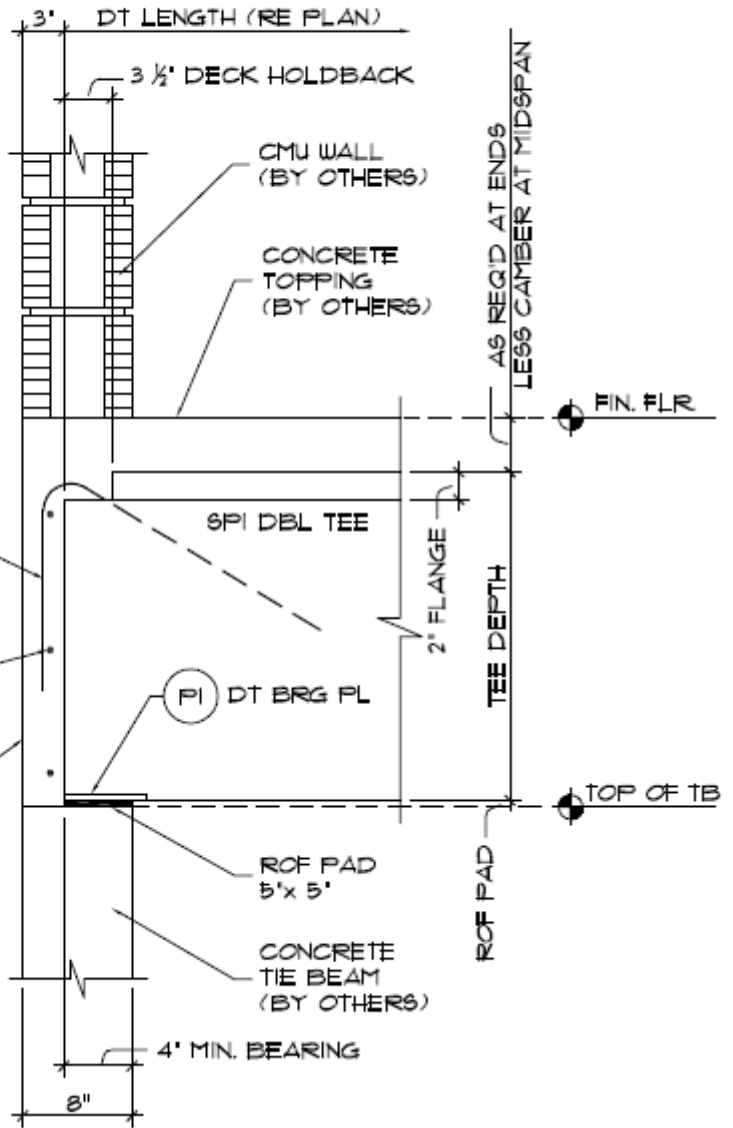
NOTE 1

IT IS THE G.C. RESPONSIBILITY TO ENSURE THAT THE #4 BAR, PROJECTING OUT OF DOUBLE TEE STEM IS HOOKED AROUND THE LONGITUDINAL STEEL IN CLOSURE POUR. BARS BENT INTO FOUR WITHOUT SUCH PROPER ANCHORAGE WILL NOT PROVIDE THE CONNECTION CAPACITY AS DESIGNED BY S.P.I. ENGINEERING.

ONE #4 x 3'-6" W/1'-6" PROJECTION AT EACH STEM. BAR TO BE HOOKED AROUND ONE OF THE LONGITUDINAL BARS IN THE TIE BEAM CLOSURE POUR (MINIMUM).

#4 x CONTINUOUS (BY OTHERS)

CLOSURE POUR AND REINFORCING BY OTHERS



DOUBLE TEE TO EXTERIOR WALL AT FLOOR SYSTEM STANDARD DOUBLE TEE DETAIL



SPI STRUCTURAL
PRESTRESSED
INDUSTRIES, INC.

JOB N':
STANDARDS

SHT. N':

2

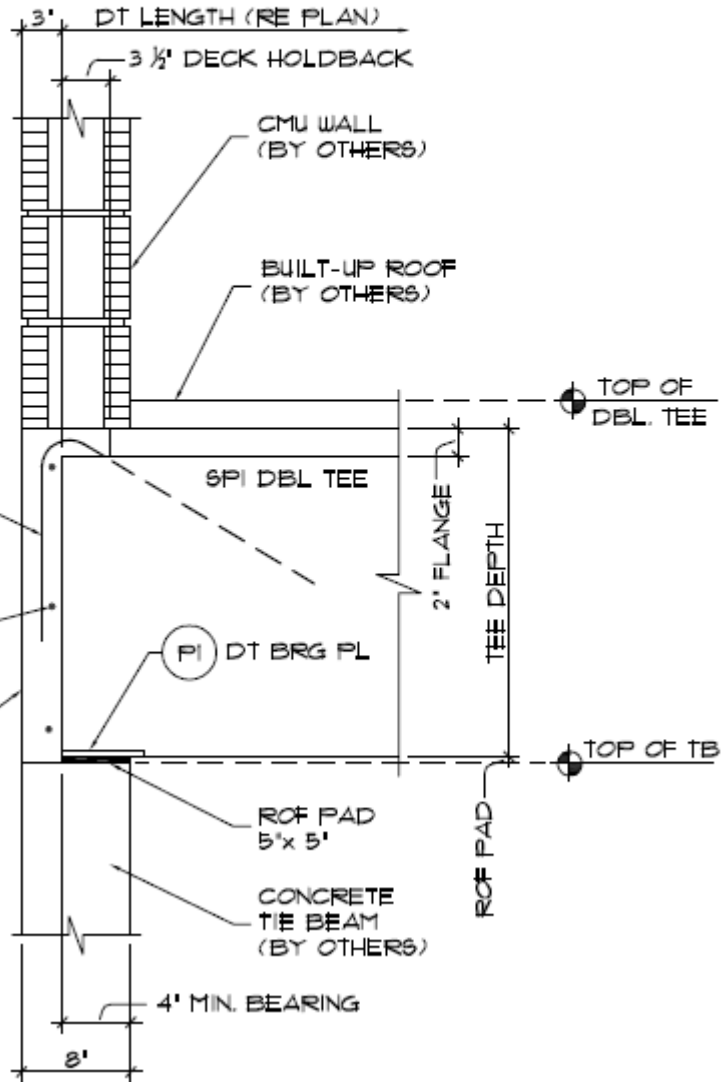
NOTE 1

IT IS THE G.C. RESPONSIBILITY TO ENSURE THAT THE #4 BAR, PROJECTING OUT OF DOUBLE TEE STEM IS HOOKED AROUND THE LONGITUDINAL STEEL IN CLOSURE POUR. BARS BENT INTO FOUR WITHOUT SUCH PROPER ANCHORAGE WILL NOT PROVIDE THE CONNECTION CAPACITY AS DESIGNED BY S.P.I. ENGINEERING.

ONE #4 x 3'-6" W/1'-6" PROJECTION AT EACH STEM. BAR TO BE HOOKED AROUND ONE OF THE LONGITUDINAL BARS IN THE TIE BEAM CLOSURE POUR (MINIMUM).

#4 x CONTINUOUS BY OTHERS

CLOSURE POUR AND REINFORCING BY OTHERS



DOUBLE TEE TO EXTERIOR WALL AT ROOF SYSTEM STANDARD DOUBLE TEE DETAIL

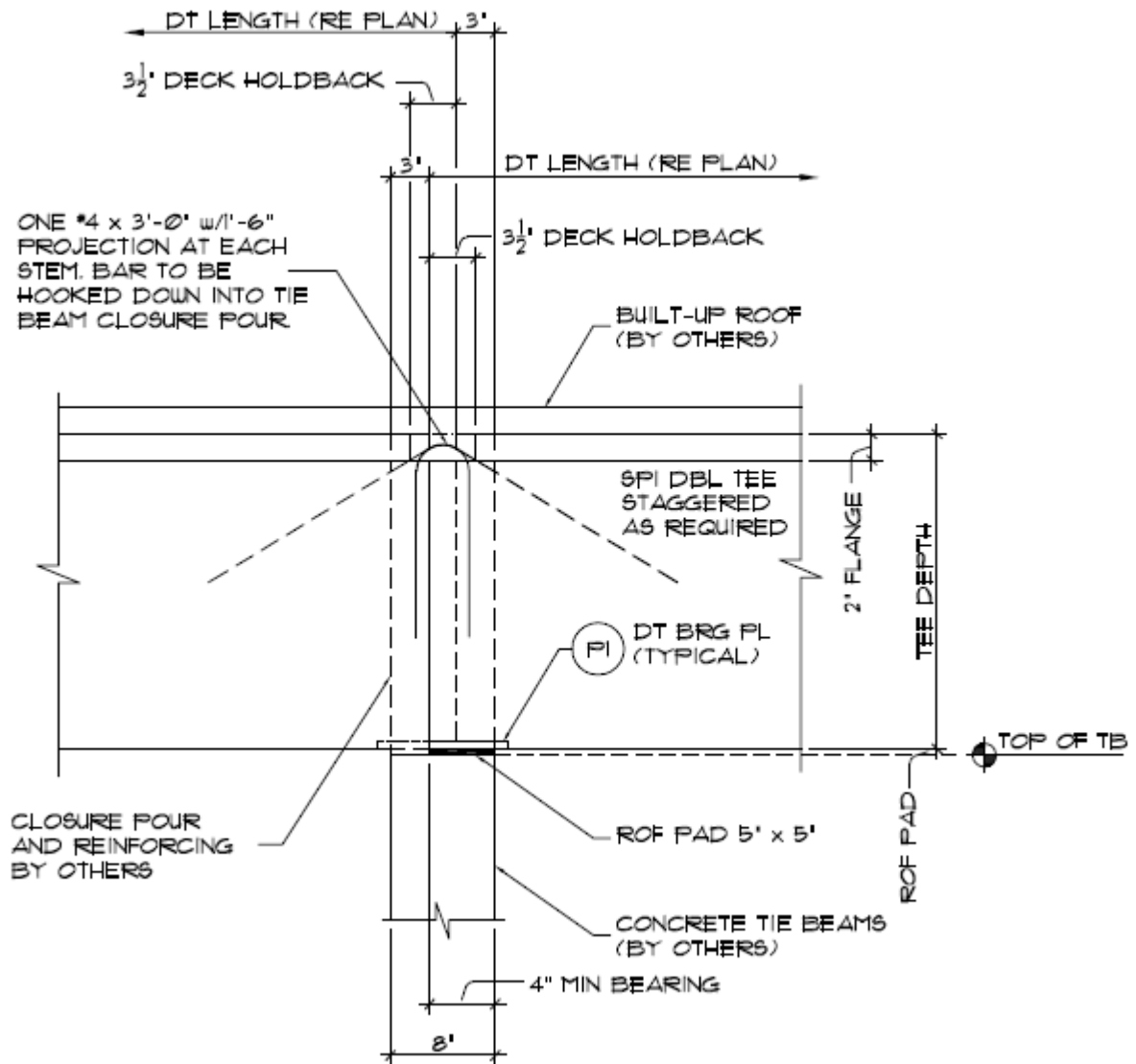


SPI STRUCTURAL
PRESTRESSED
INDUSTRIES, INC.

JOB N':
STANDARDS

SHT. N':

3



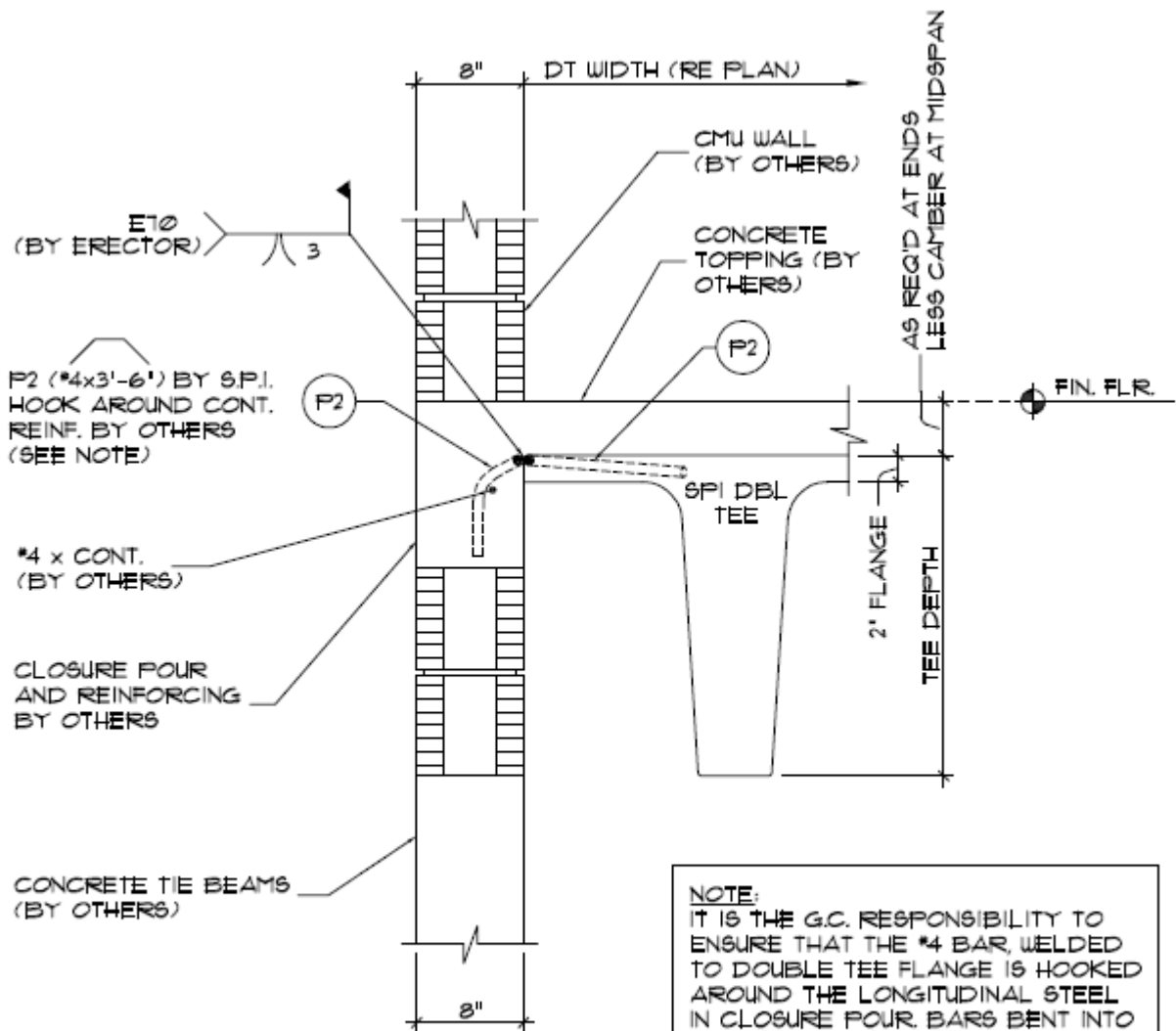
DOUBLE TEE TO INTERIOR WALL AT ROOF SYSTEM STANDARD DOUBLE TEE DETAIL



JOB N':
STANDARDS

SHT. N':

5



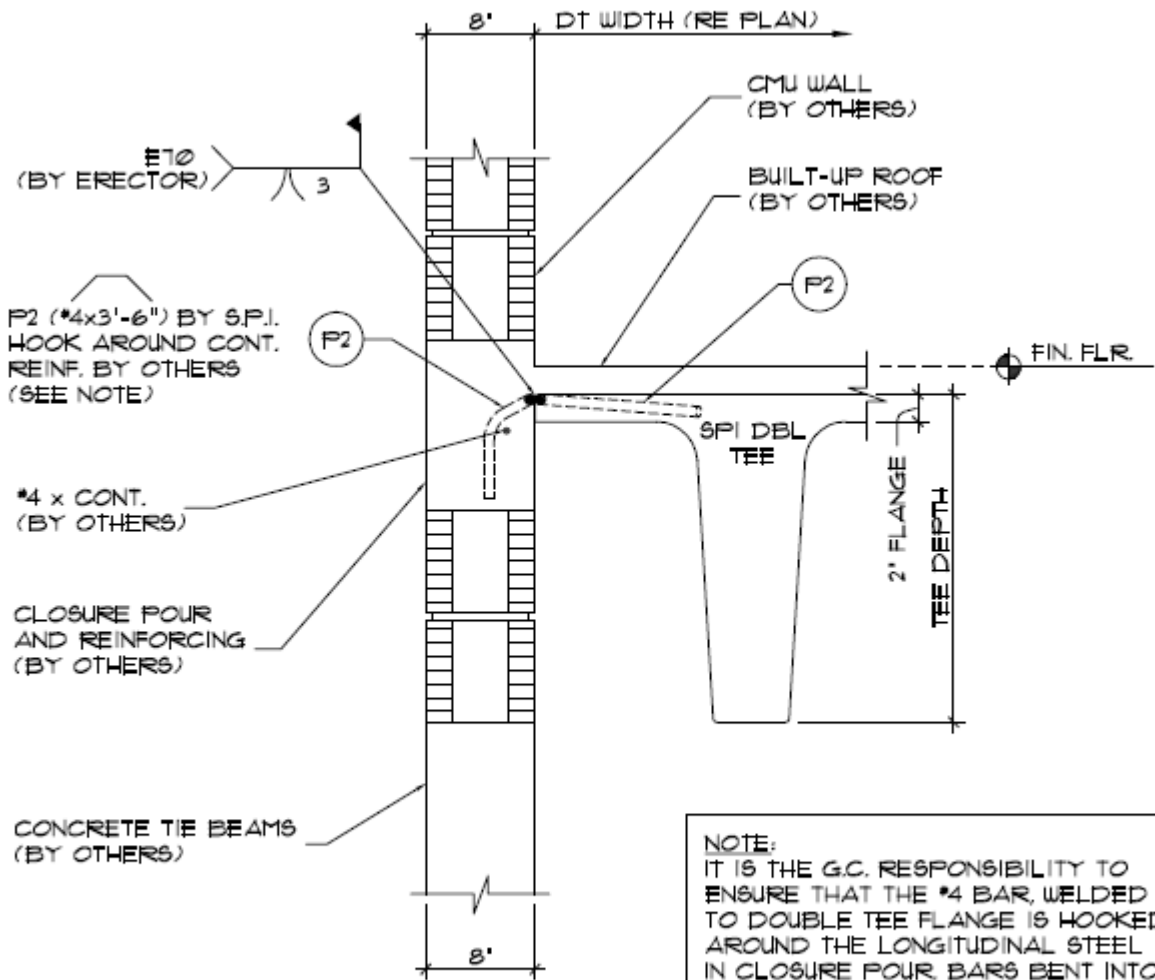
NOTE:
 IT IS THE G.C. RESPONSIBILITY TO ENSURE THAT THE #4 BAR, WELDED TO DOUBLE TEE FLANGE IS HOOKED AROUND THE LONGITUDINAL STEEL IN CLOSURE FOUR. BARS BENT INTO FOUR WITHOUT SUCH PROPER ANCHORAGE WILL NOT PROVIDE THE CONNECTION CAPACITY AS DESIGNED BY S.P.I. ENGINEERING.

DOUBLE TEE TO EXTERIOR WALL AT FLOOR SYSTEM STANDARD DOUBLE TEE DETAIL



**JOB N':
 STANDARDS**

**SHT. N':
 6**



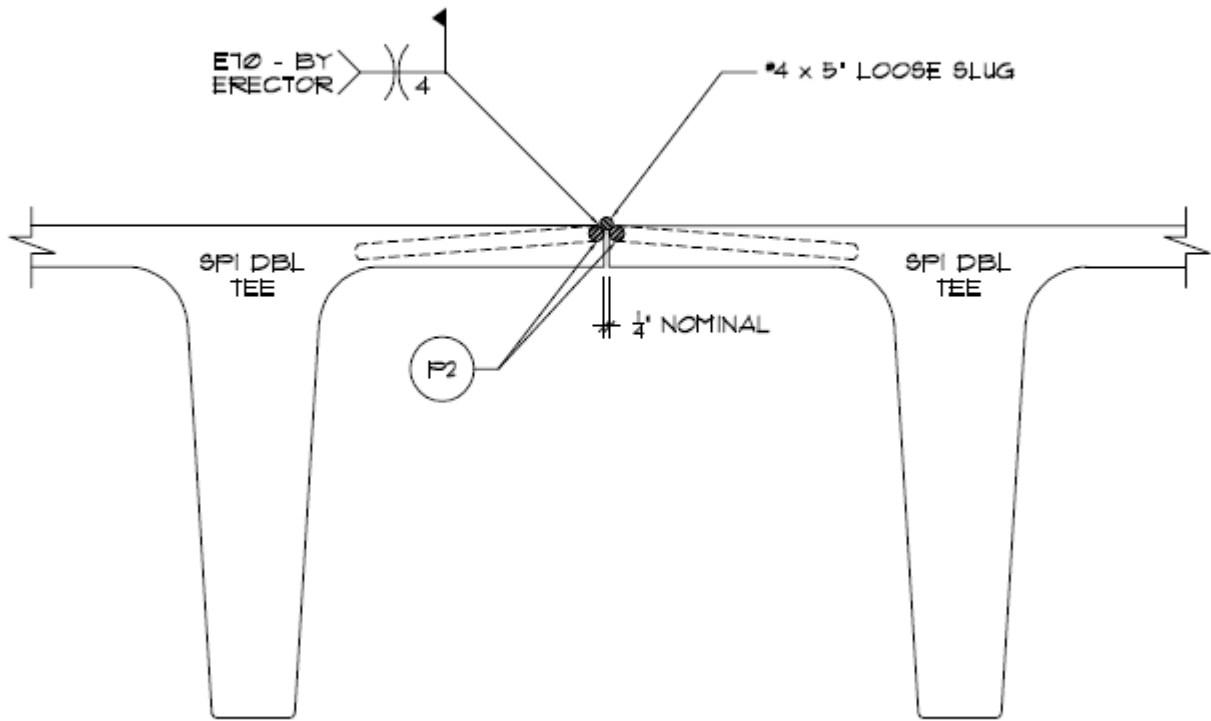
NOTE:
 IT IS THE G.C. RESPONSIBILITY TO ENSURE THAT THE #4 BAR, WELDED TO DOUBLE TEE FLANGE IS HOOKED AROUND THE LONGITUDINAL STEEL IN CLOSURE POUR. BARS BENT INTO POUR WITHOUT SUCH PROPER ANCHORAGE WILL NOT PROVIDE THE CONNECTION CAPACITY AS DESIGNED BY S.P.I. ENGINEERING.

DOUBLE TEE TO EXTERIOR WALL AT ROOF SYSTEM STANDARD DOUBLE TEE DETAIL



**JOB N':
 STANDARDS**

**SHT. N':
 7**



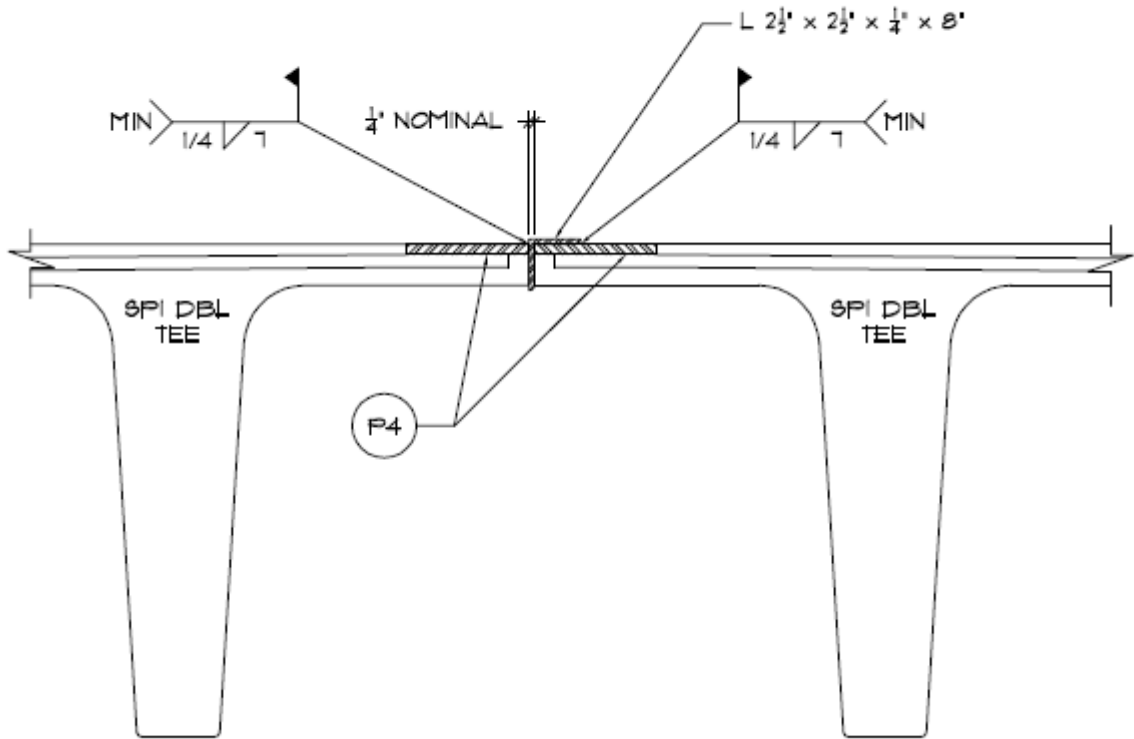
DOUBLE TEE FLANGE SHEAR CONNECTION
STANDARD DOUBLE TEE DETAIL



JOB N':
STANDARDS

SHT. N':

8

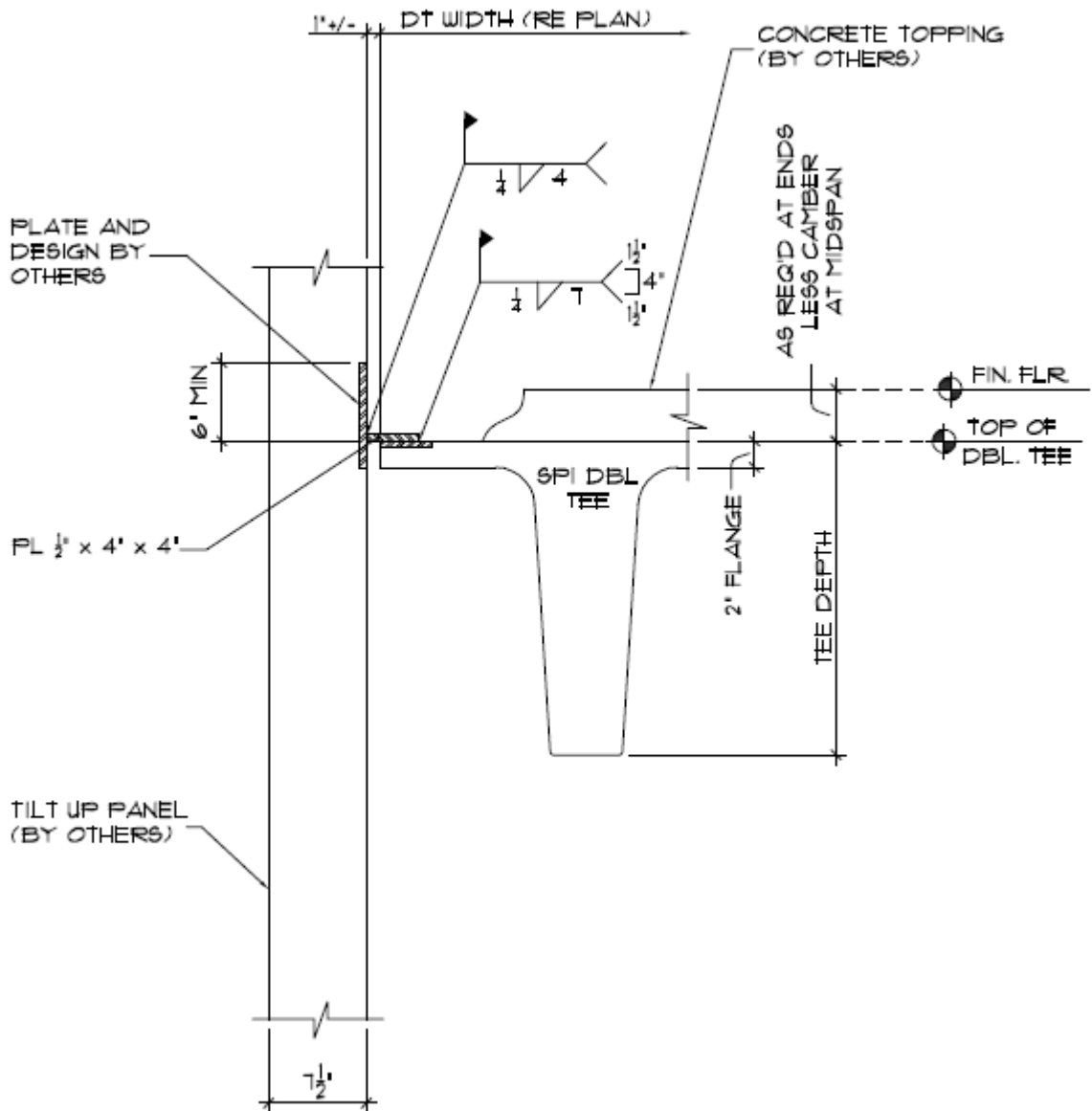


DOUBLE TEE FLANGE CHORD CONNECTION (HEAVY)
STANDARD DOUBLE TEE DETAIL



JOB N':
STANDARDS

SHT. N':



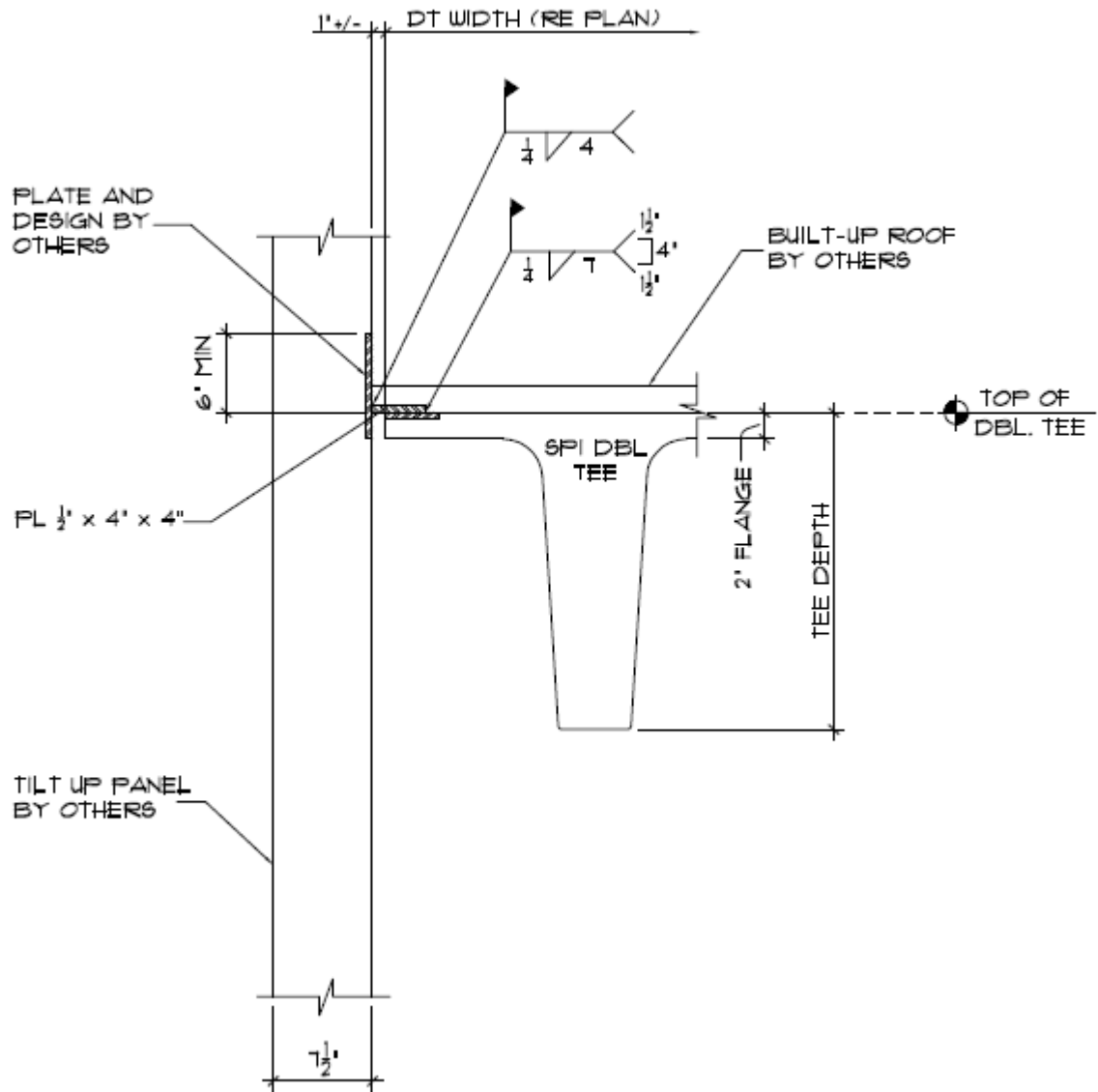
CONNECTION • DOUBLE TEE AND TILT-UP PANEL AT FLOOR
STANDARD DOUBLE TEE DETAIL



JOB N':
STANDARDS

SHT. N':

10



CONNECTION • DOUBLE TEE AND TILT-UP PANEL AT ROOF STANDARD DOUBLE TEE DETAIL

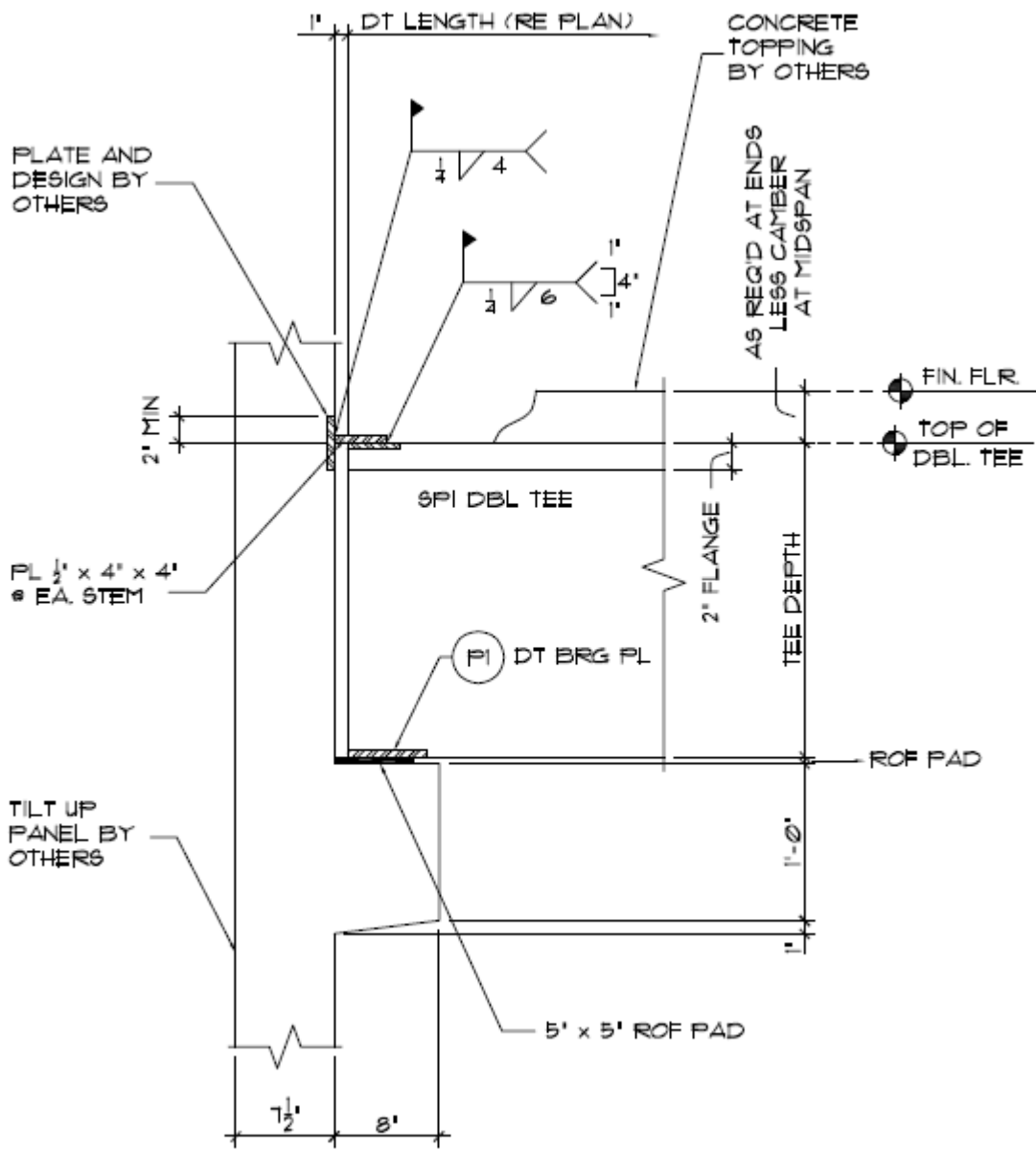


SPI STRUCTURAL
PRESTRESSED
INDUSTRIES, INC.

JOB N':
STANDARDS

SHT. N':

11

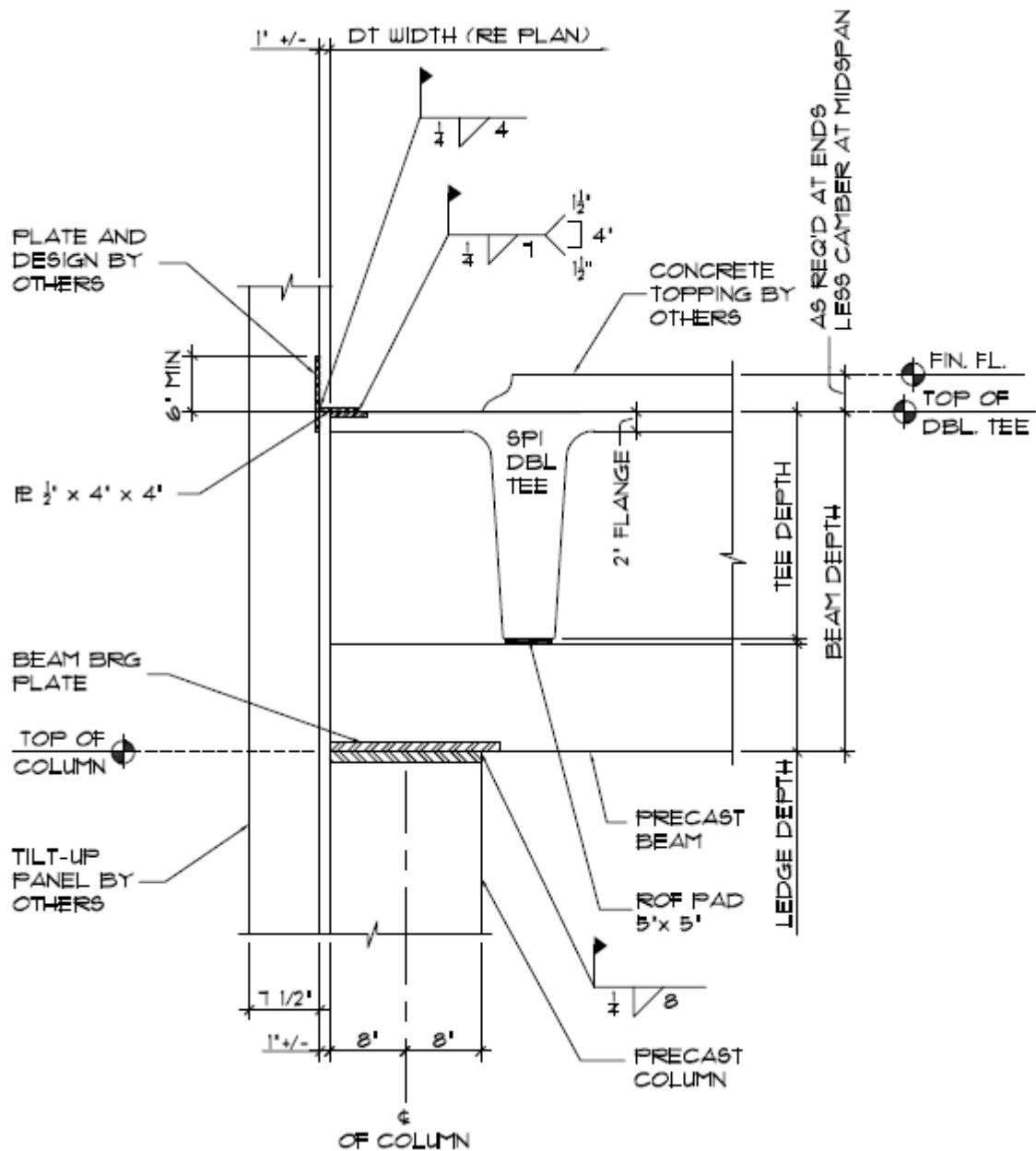


CONNECTION • DOUBLE TEE AND TILT-UP PANEL AT FLOOR
STANDARD DOUBLE TEE DETAIL



JOB N':
 STANDARDS

SHT. N':

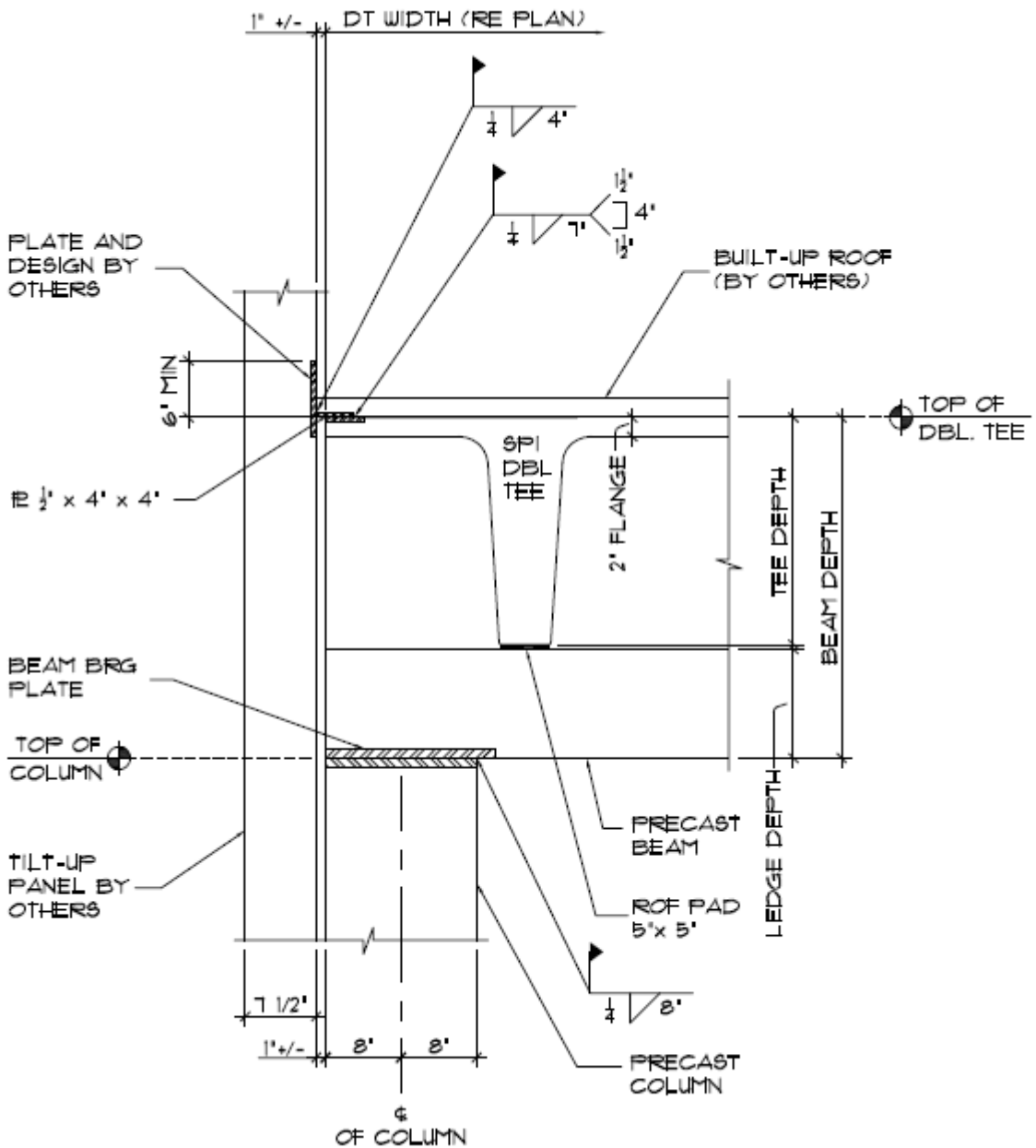


**CONNECTION • BEAM TO COLUMN/TILT-UP WALL AT FLOOR
STANDARD DOUBLE TEE DETAIL**



JOB N':
STANDARDS

SHT. N':



**CONNECTION • BEAM TO COLUMN/TILT-UP WALL AT ROOF
STANDARD DOUBLE TEE DETAIL**



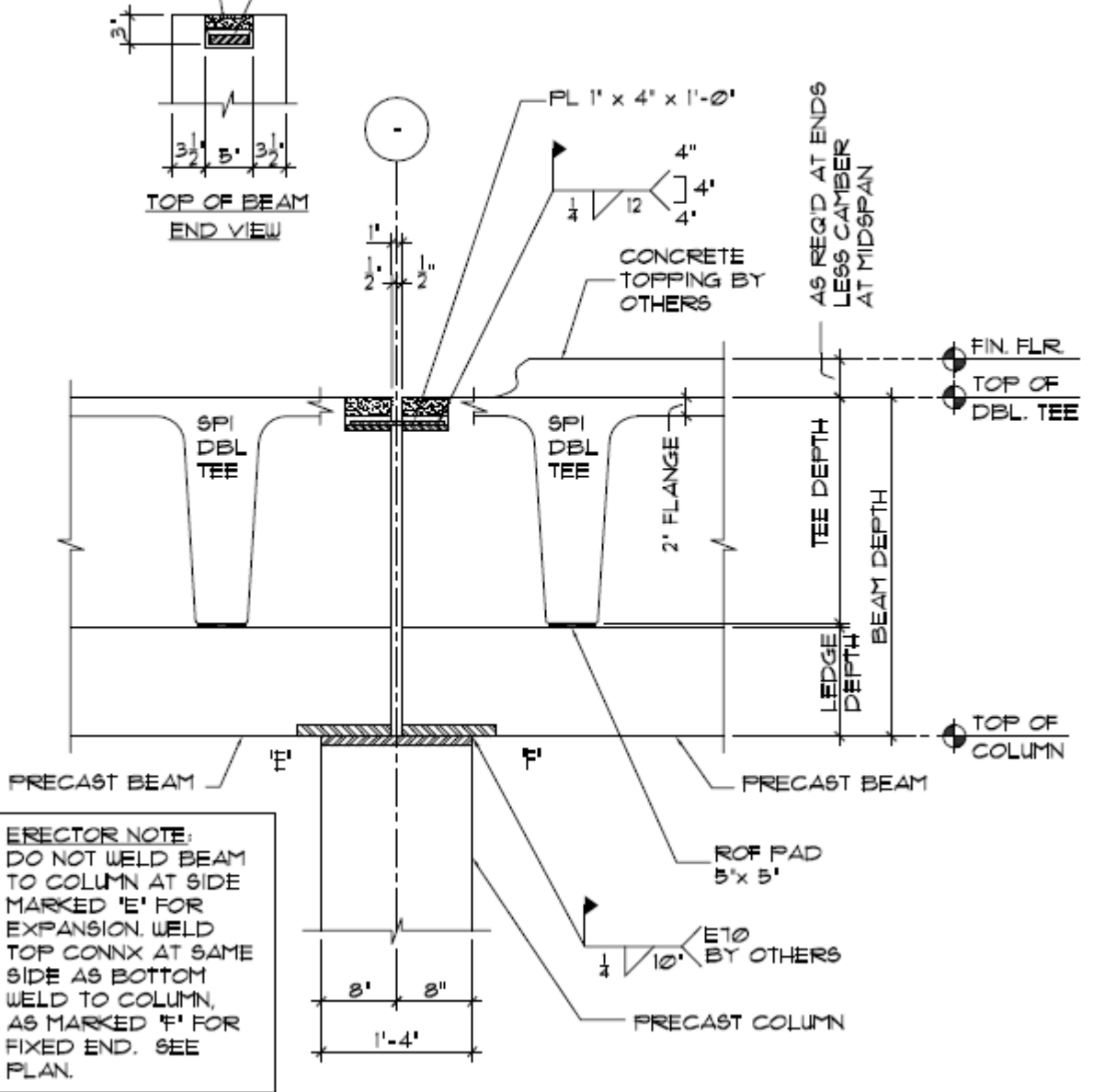
**JOB N':
STANDARDS**

SHT. N':

15

2' x 4' x 6' STYROFOAM
BLOCK BY OTHERS

PL 1' x 4' x 1'-0"



CONNECTION • BEAM TO BEAM/COLUMN AT FLOOR STANDARD DOUBLE TEE DETAIL



SPI STRUCTURAL
PRESTRESSED
INDUSTRIES, INC.

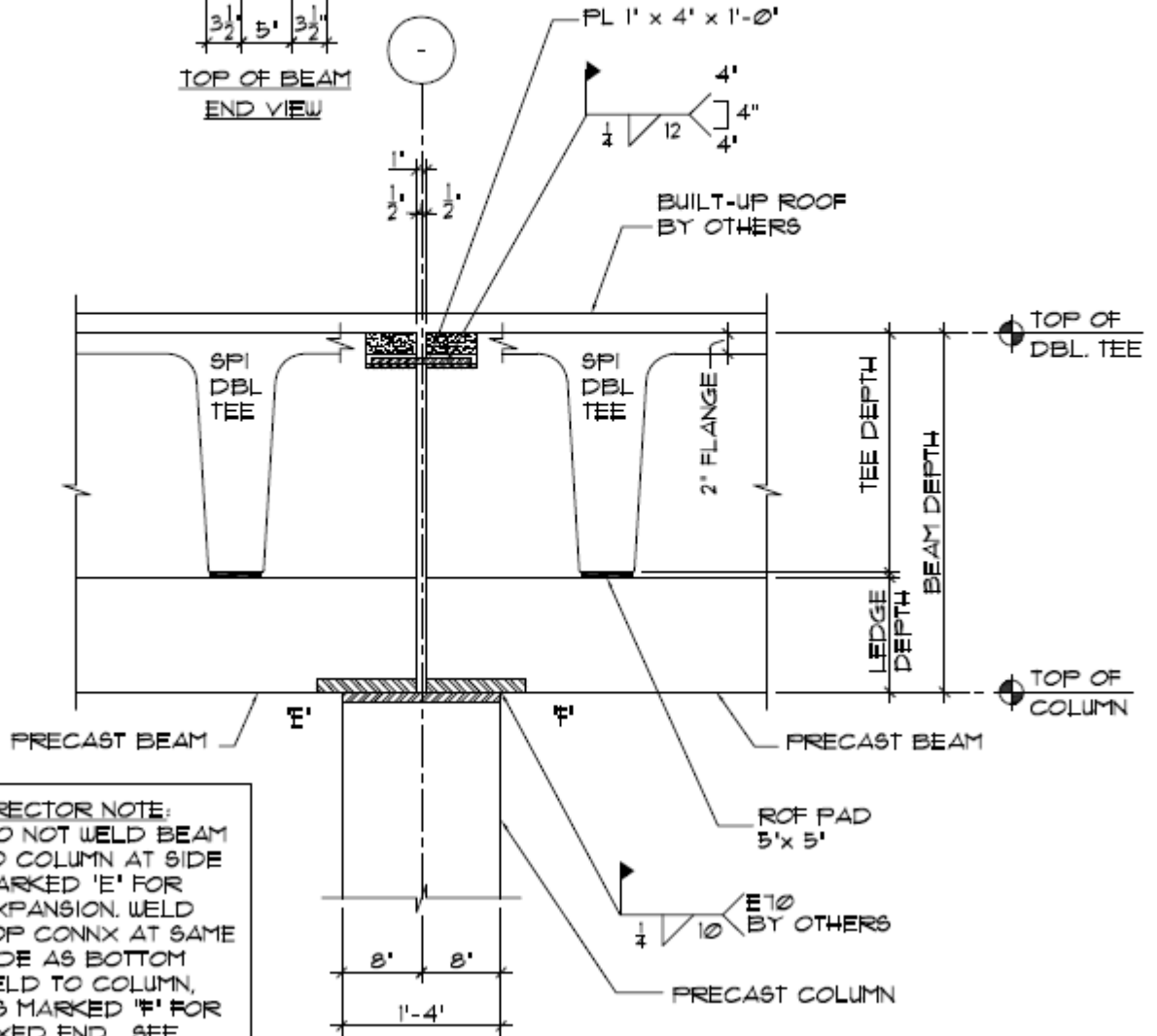
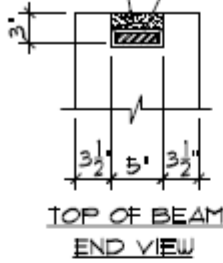
JOB N':
STANDARDS

SHT. N':

16

2' x 4' x 6' STYROFORM
BLOCK BY OTHERS

PL 1' x 4' x 1'-Ø'



CONNECTION • BEAM TO BEAM/COLUMN AT ROOF STANDARD DOUBLE TEE DETAIL

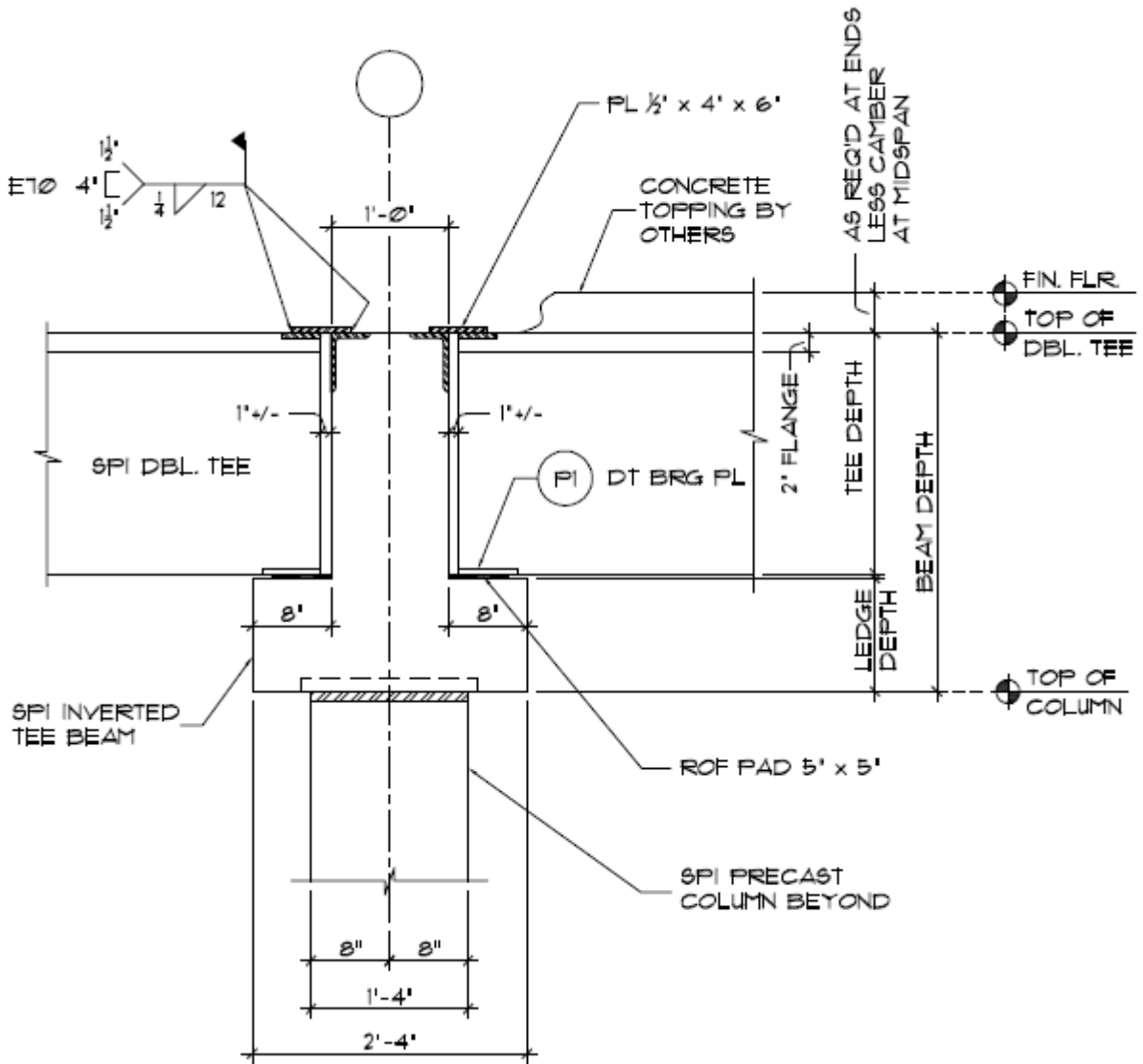


SPI STRUCTURAL
PRESTRESSED
INDUSTRIES, INC.

JOB N':
STANDARDS

SHT. N':

17

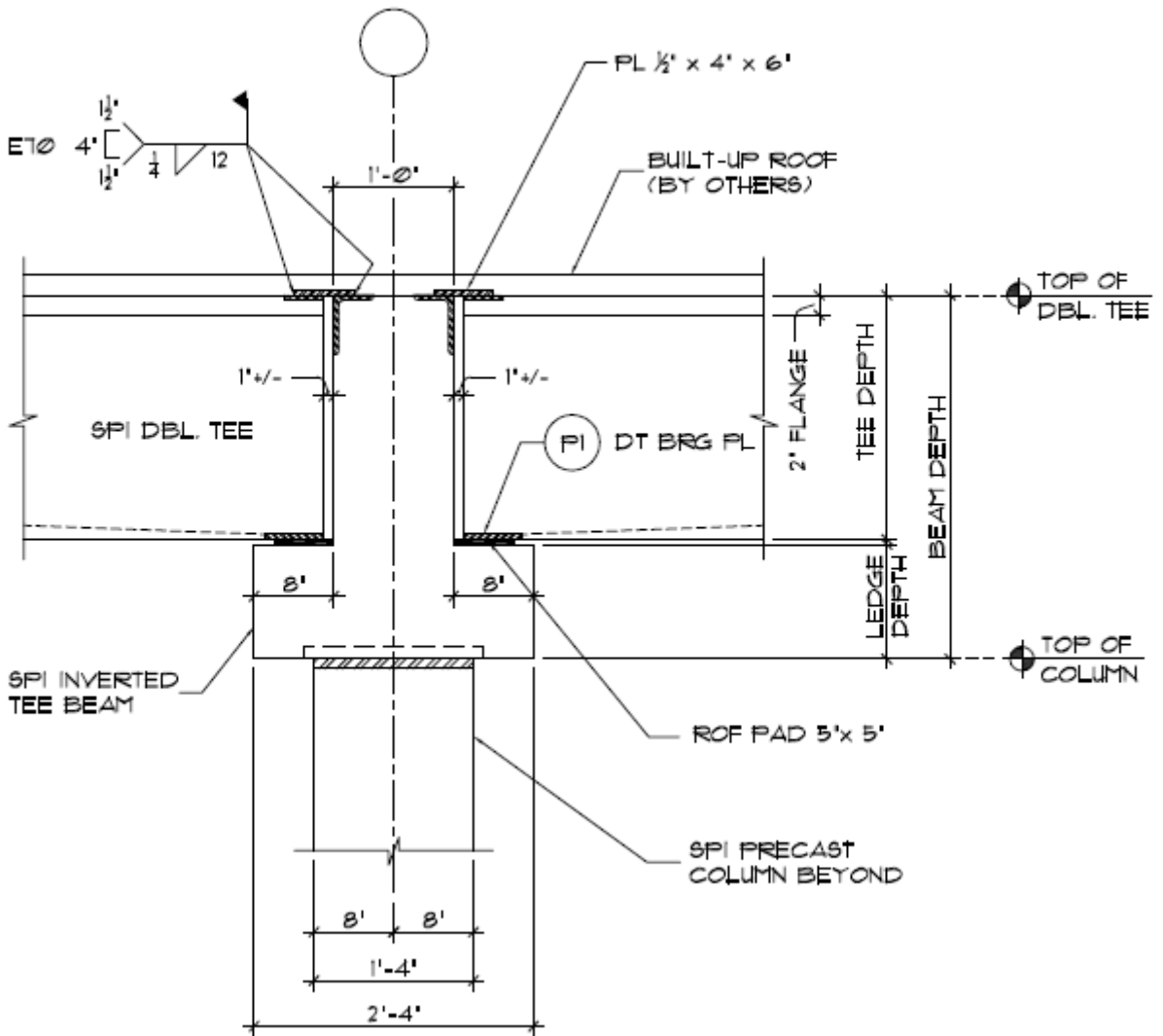


CONNECTION • DOUBLE TEE TO BEAM AT FLOOR
STANDARD DOUBLE TEE DETAIL



JOB N':
 STANDARDS

SHT. N':



CONNECTION • DOUBLE TEE TO BEAM AT ROOF STANDARD DOUBLE TEE DETAIL

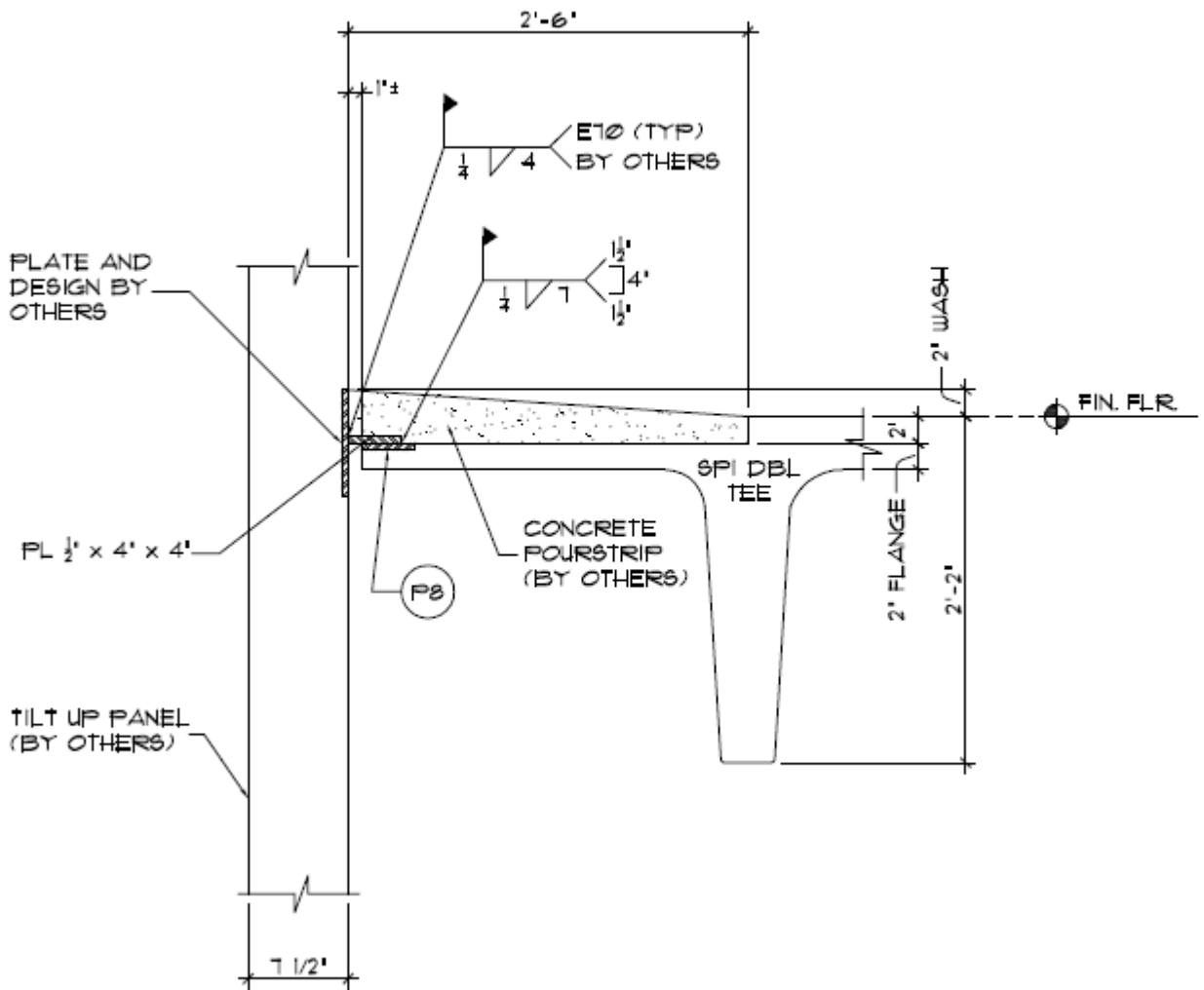


SPI STRUCTURAL
PRESTRESSED
INDUSTRIES, INC.

JOB N':
STANDARDS

SHT. N':

19



**CONNECTION • PRE-TOPPED DBL TEE AND TILP-UP PANEL PARKING GARAGE
STANDARD DOUBLE TEE DETAIL**

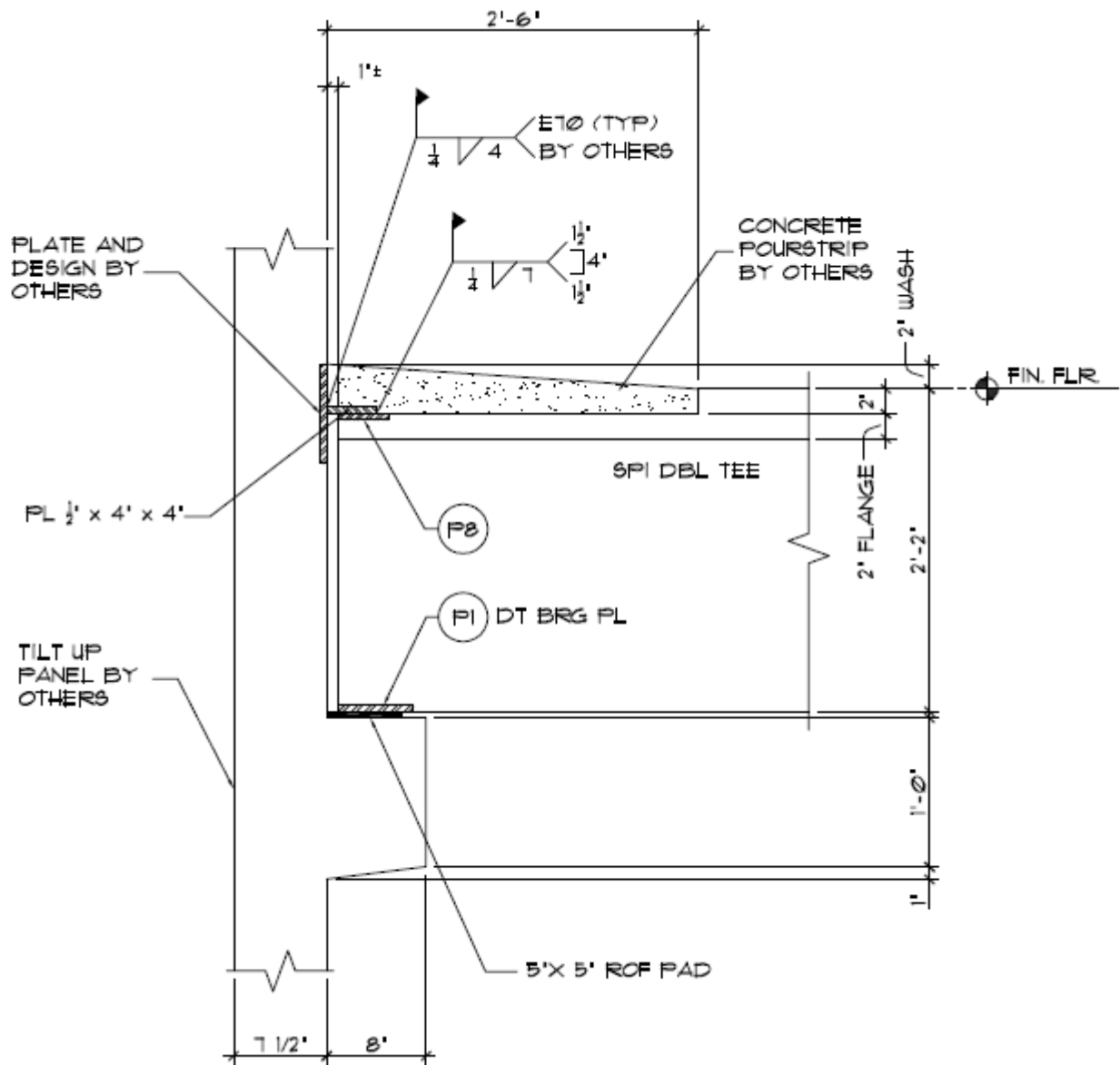


SPI STRUCTURAL
PRESTRESSED
INDUSTRIES, INC.

JOB N':
STANDARDS

SHT. N':

20



**CONNECTION • PRE-TOPPED DBL TEE AND TILP-UP PANEL PARKING GARAGE
STANDARD DOUBLE TEE DETAIL**

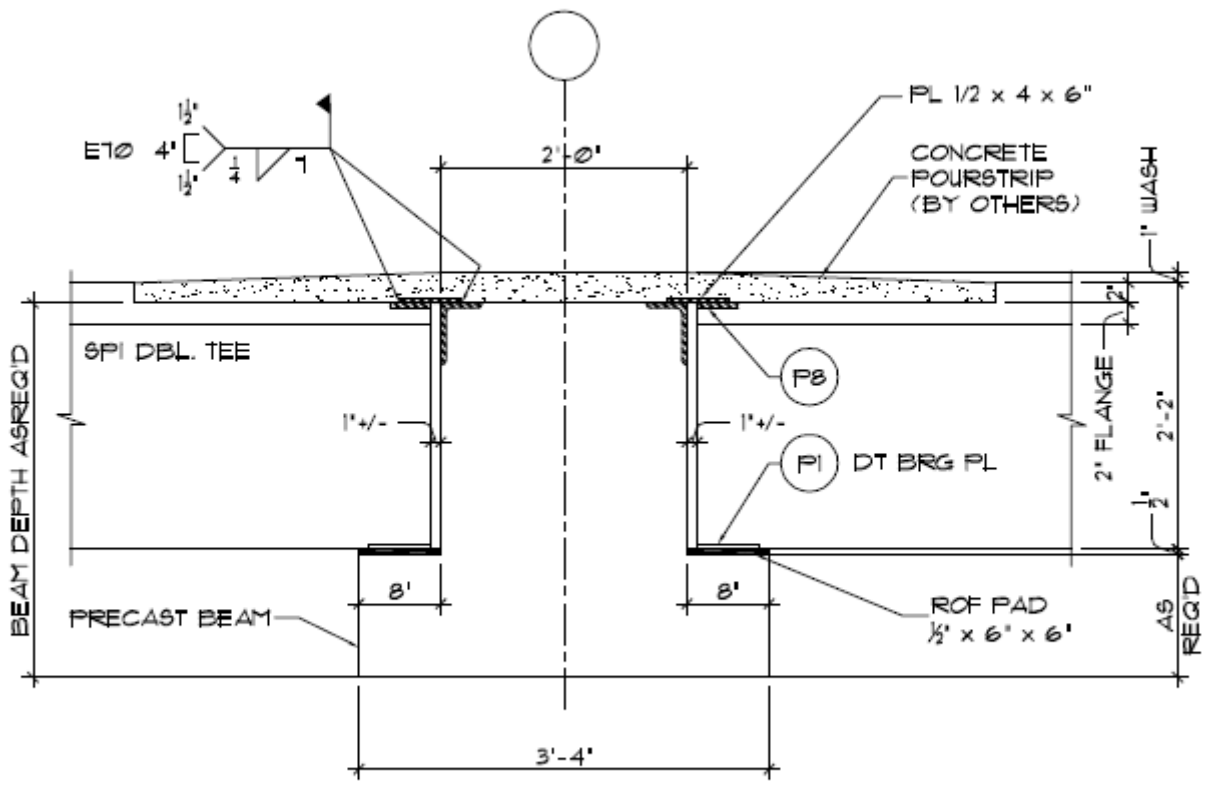


SPI STRUCTURAL
PRESTRESSED
INDUSTRIES, INC.

JOB N':
STANDARDS

SHT. N':

21



**CONNECTION • PRE-TOPPED DBL TEE TO BEAM PARKING GARAGE
STANDARD DOUBLE TEE DETAIL**



**JOB N':
STANDARDS**

**SHT. N':
22**