

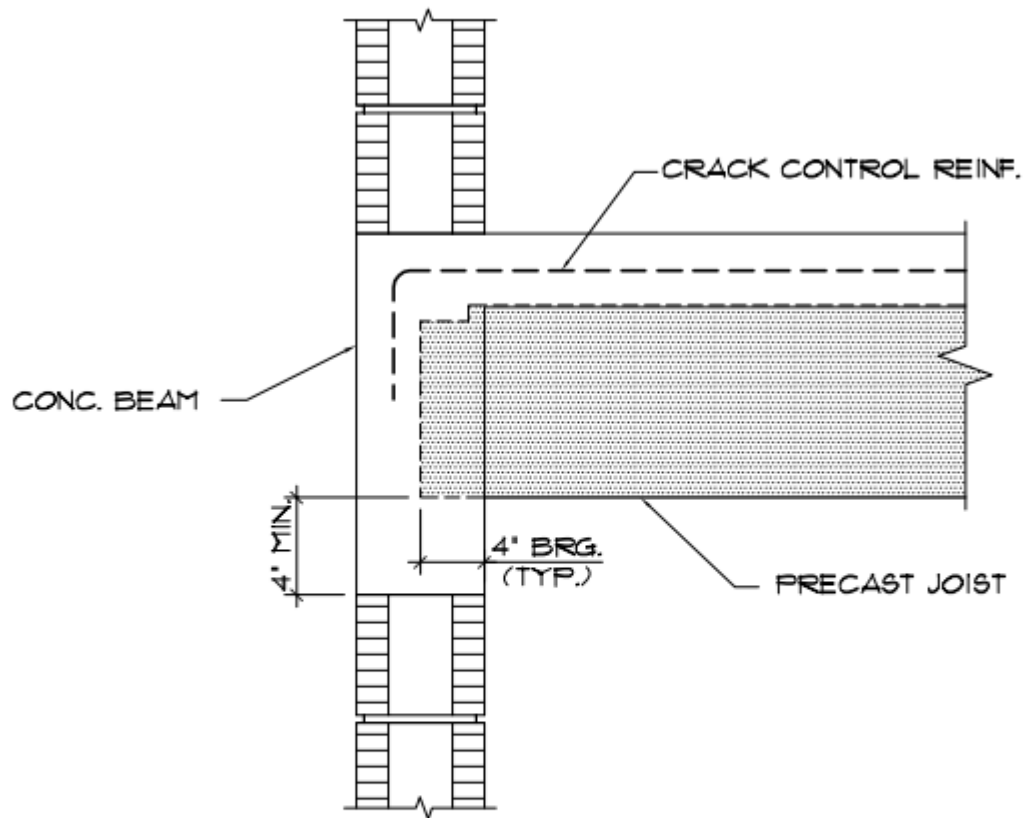


STANDARD DETAIL JOISTS AND SOFFIT BEAMS

11405 N.W. 112th Court Medley, FL 33178

P: 305-556-6699

F: 305-556-9696



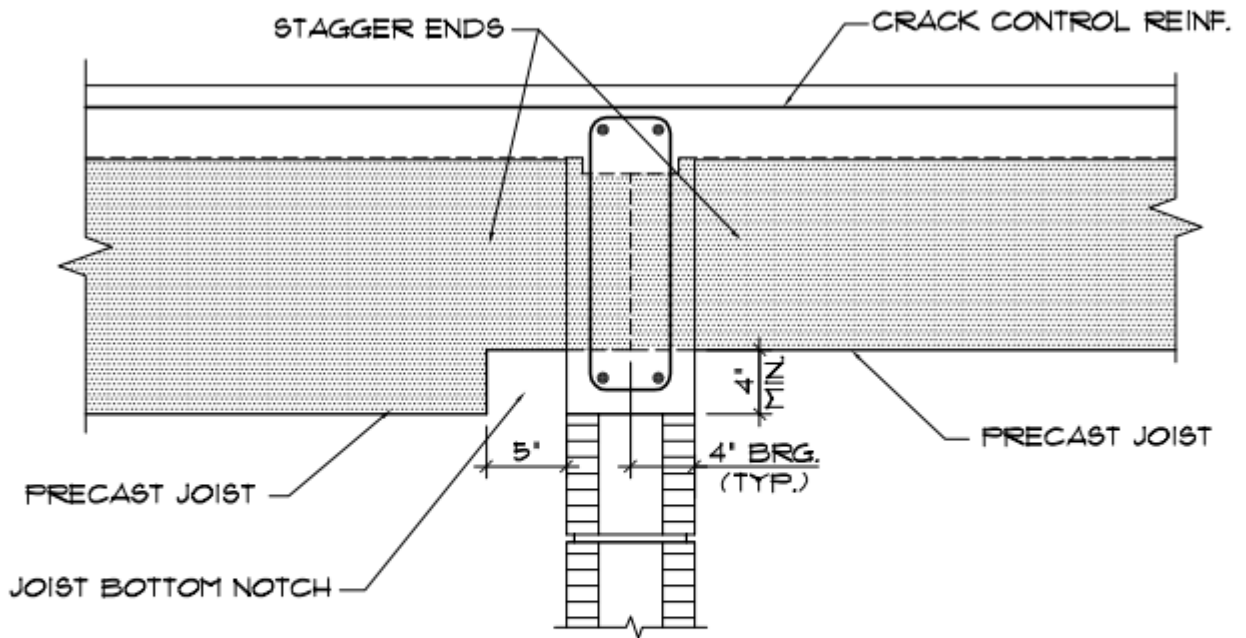
DETAIL ①
 SCALE 1" = 1'-0"



JOB N':
 STANDARDS

SHT. N':

1



DETAIL ②
 SCALE 1" = 1'-0"

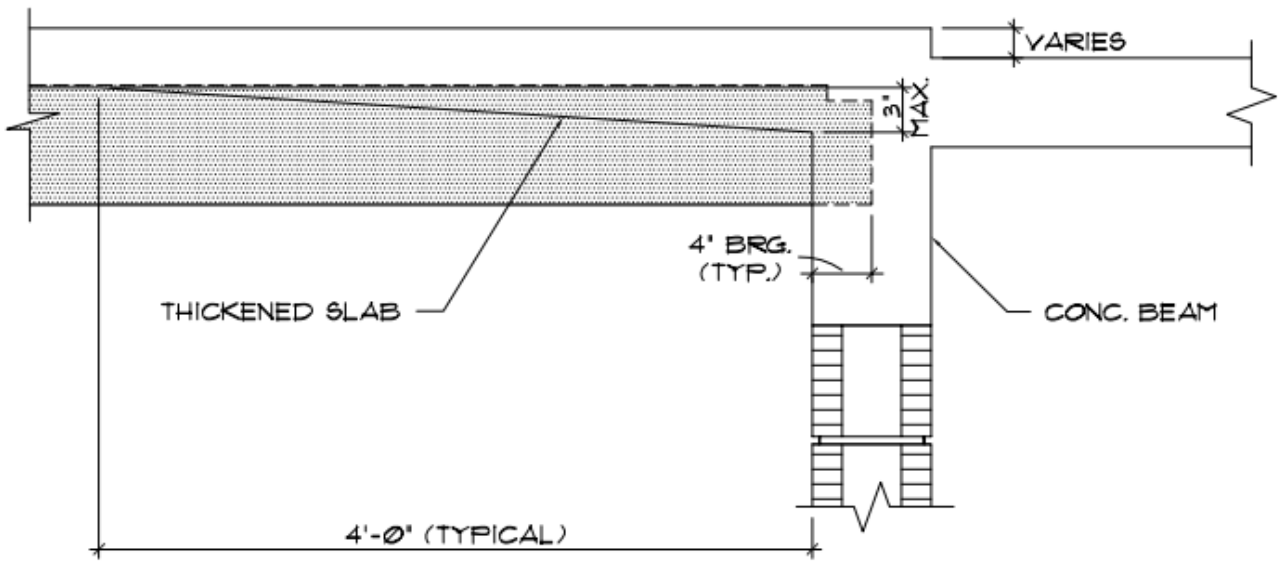


SPI STRUCTURAL
 PRESTRESSED
 INDUSTRIES, INC.

JOB N':
 STANDARDS

SHT. N':

2



DETAIL ③
 SCALE 1' = 1'-0'

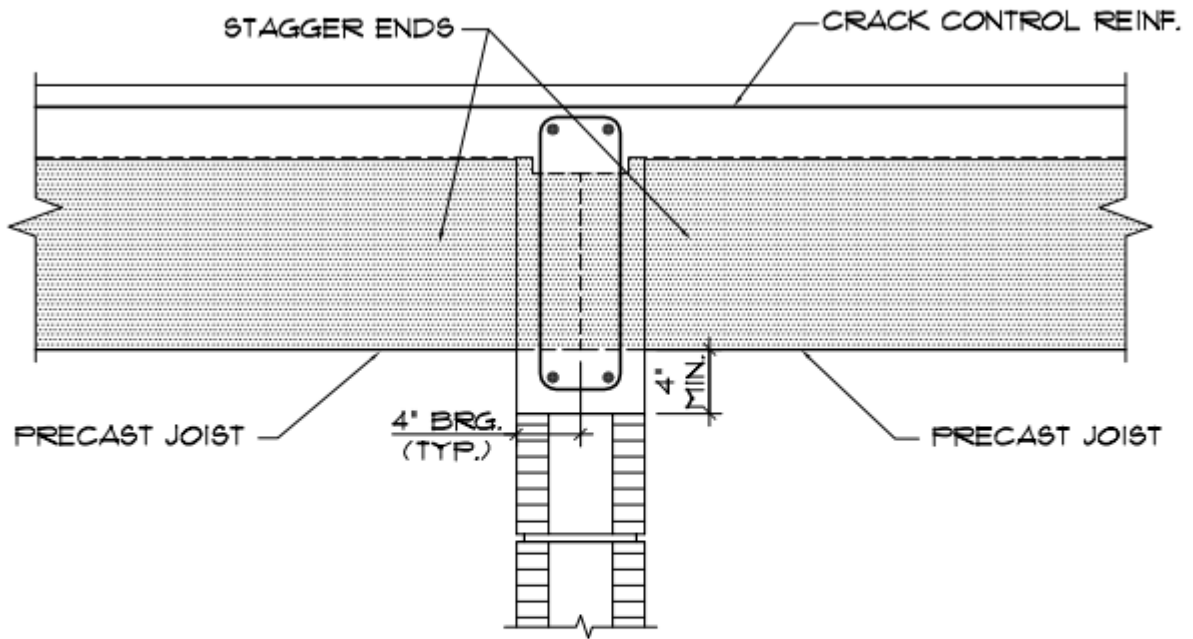


SPI STRUCTURAL
 PRESTRESSED
 INDUSTRIES, INC.

JOB N':
 STANDARDS

SHT. N':

3



DETAIL ④
 SCALE 1" = 1'-0"

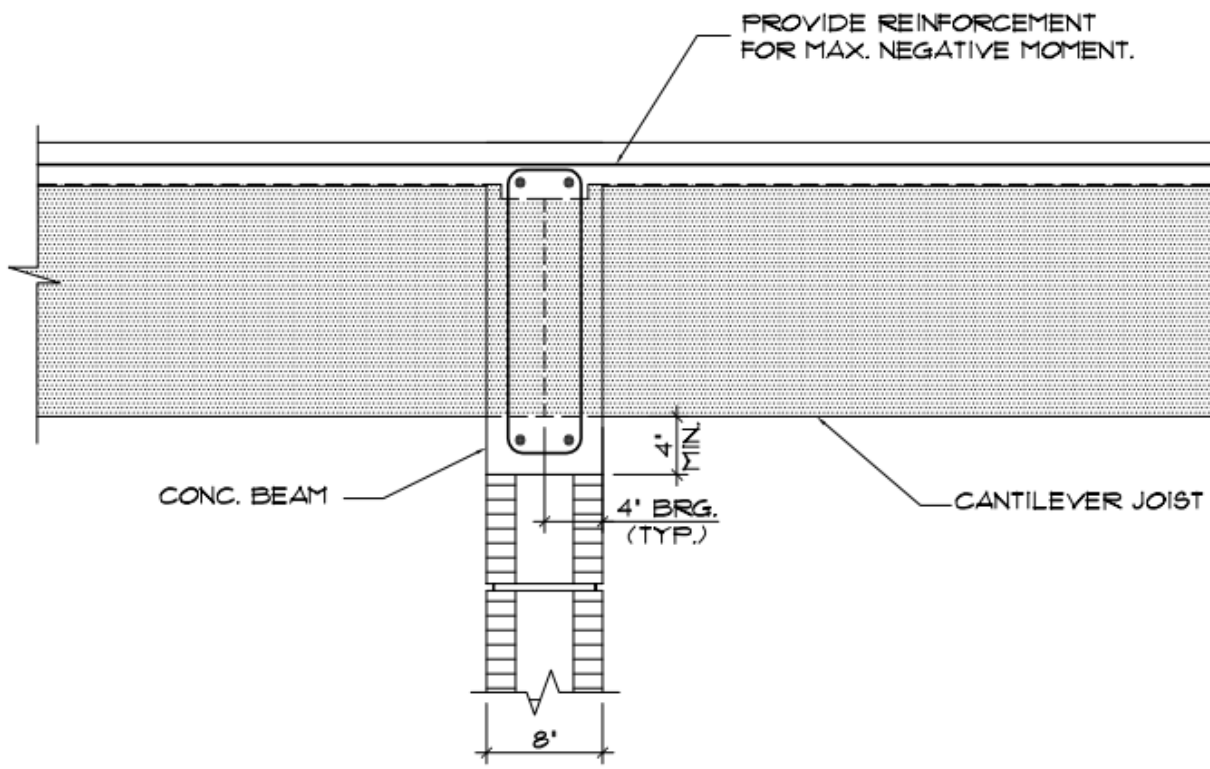


SPI STRUCTURAL
 PRESTRESSED
 INDUSTRIES, INC.

JOB N':
 STANDARDS

SHT. N':

4



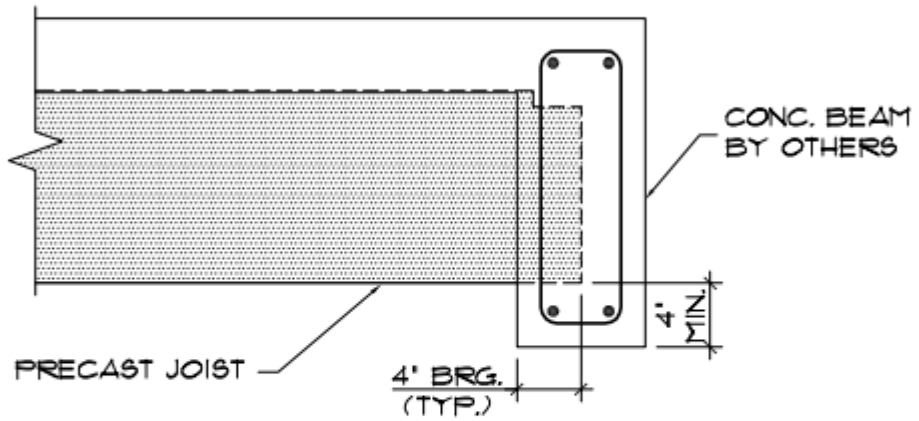
DETAIL 5
 SCALE 1" = 1'-0"



JOB N':
 STANDARDS

SHT. N':

5



DETAIL ⑥
 SCALE 1" = 1'-0"

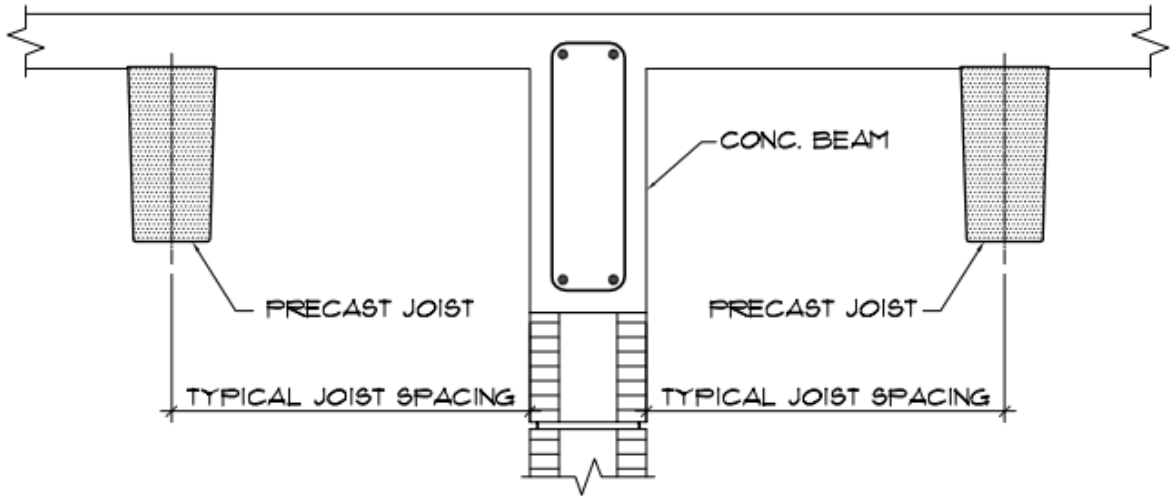


SPI STRUCTURAL
 PRESTRESSED
 INDUSTRIES, INC.

JOB N':
 STANDARDS

SHT. N':

6



DETAIL 7
 SCALE 1" = 1'-0"

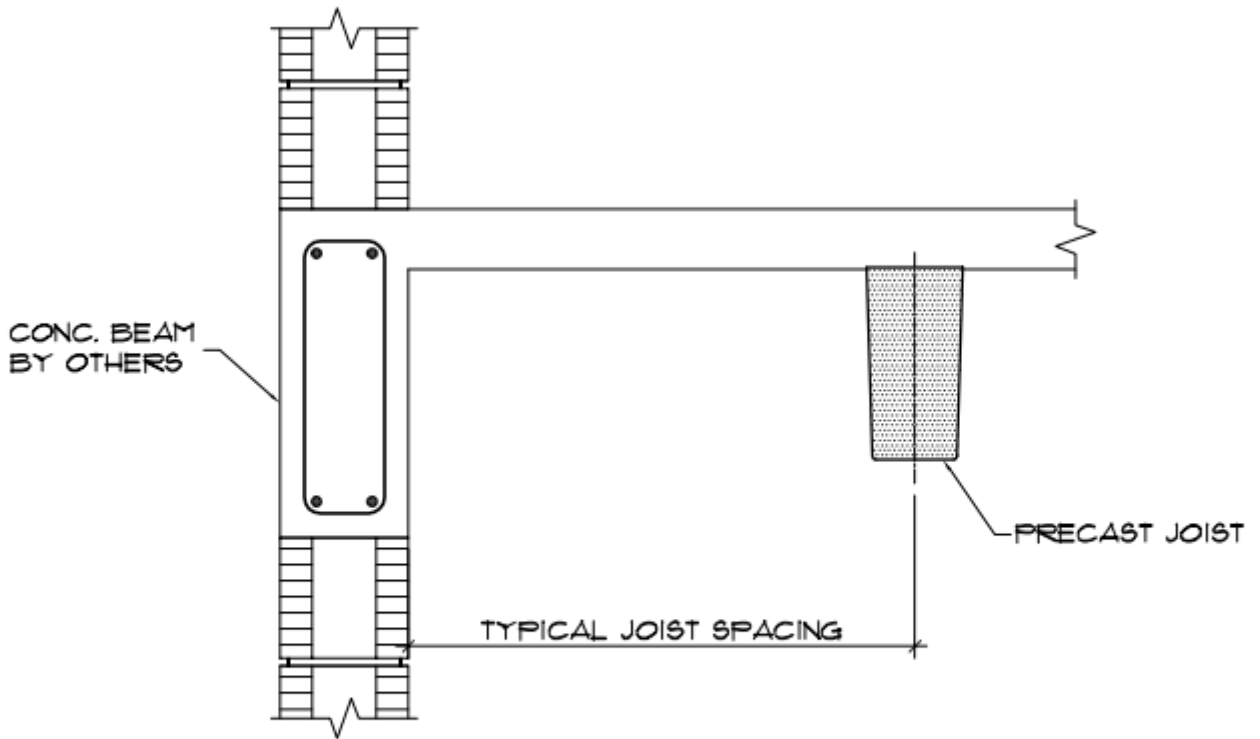


SPI STRUCTURAL
 PRESTRESSED
 INDUSTRIES, INC.

JOB N':
 STANDARDS

SHT. N':

7



DETAIL 8
SCALE 1" = 1'-0"

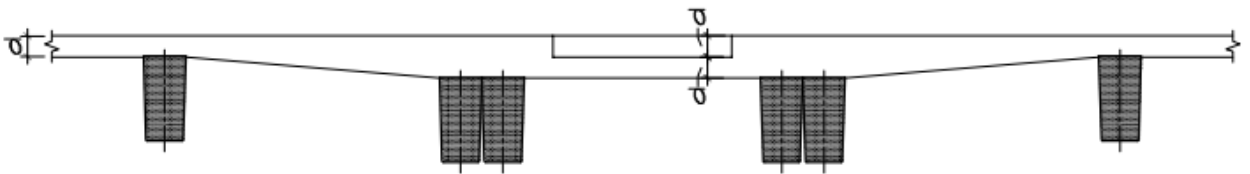


SPI STRUCTURAL
PRESTRESSED
INDUSTRIES, INC.

JOB N':
STANDARDS

SHT. N':

8



DETAIL 9
SCALE 1/2" = 1'-0"

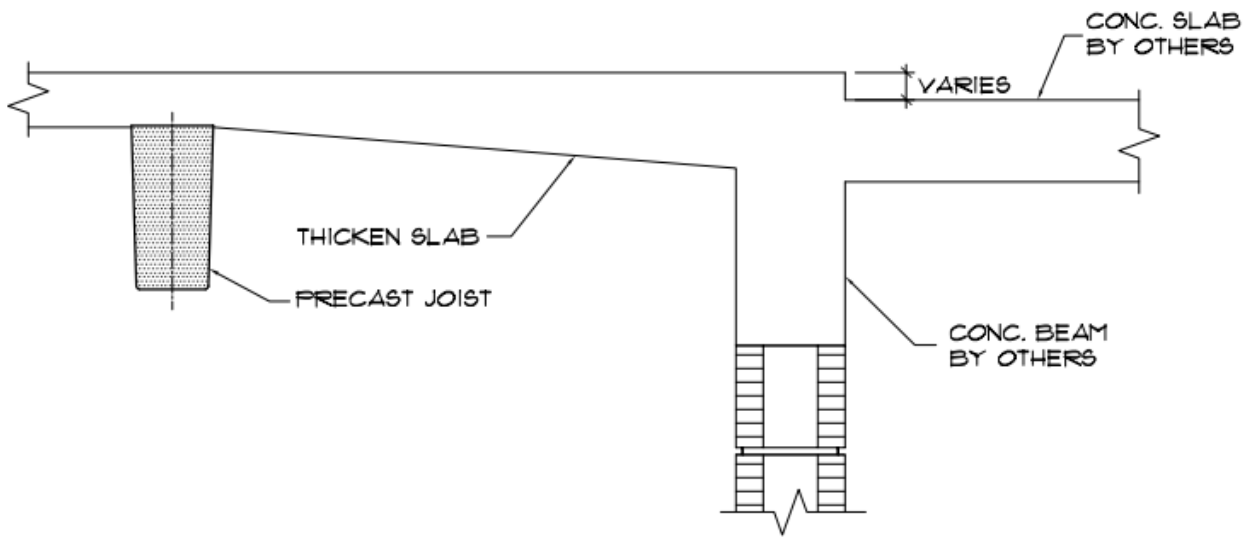


SPI STRUCTURAL
PRESTRESSED
INDUSTRIES, INC.

JOB N':
STANDARDS

SHT. N':

9



DETAIL 10
 SCALE 1" = 1'-0"

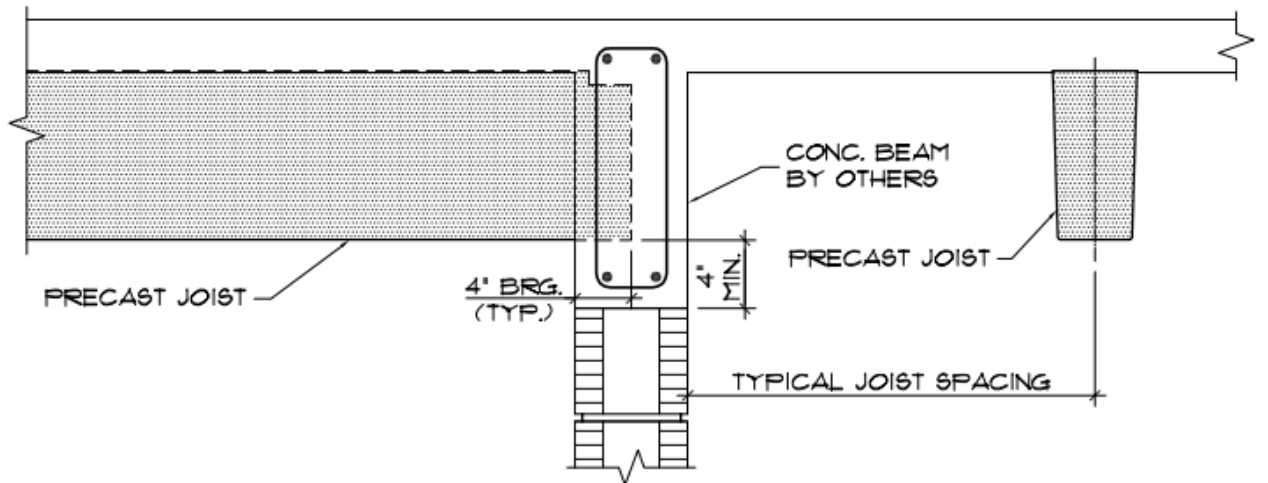


SPI STRUCTURAL
 PRESTRESSED
 INDUSTRIES, INC.

JOB N':
 STANDARDS

SHT. N':

10



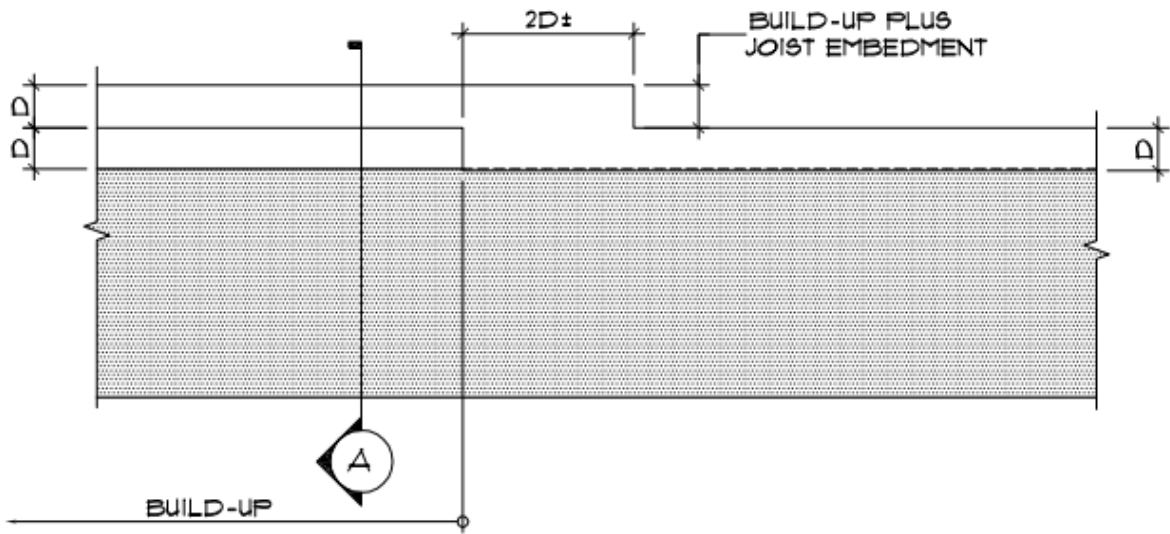
DETAIL 11
 SCALE 1" = 1'-0"



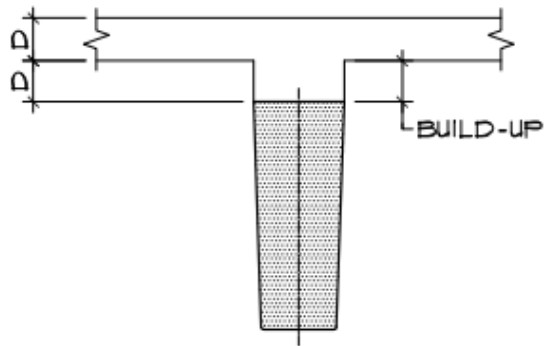
JOB N':
STANDARDS

SHT. N':

11



DETAIL 12
SCALE 1" = 1'-0"



SECTION A
SCALE 1" = 1'-0"

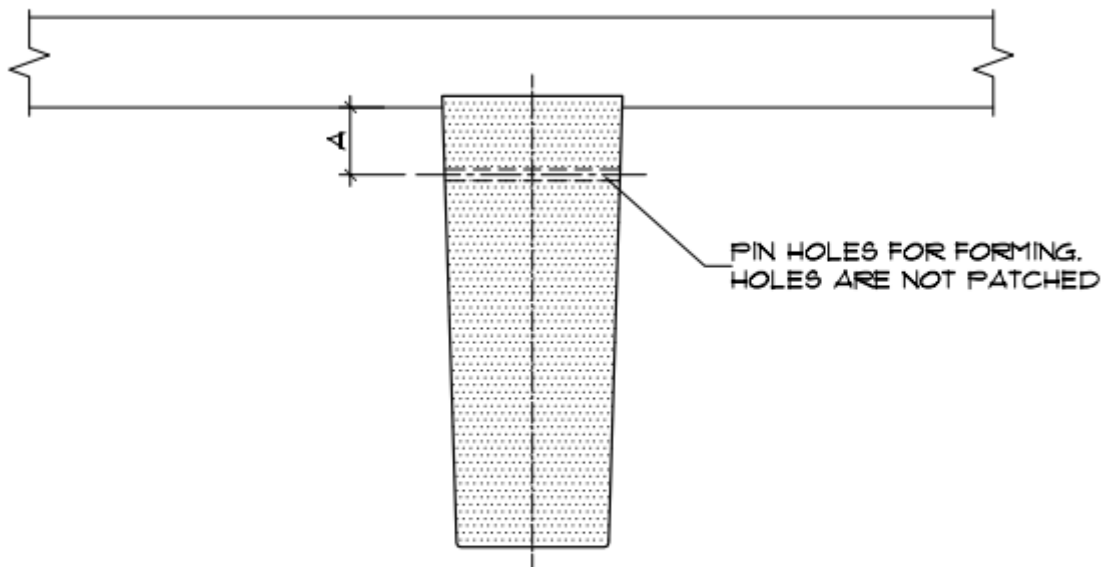


SPI STRUCTURAL
PRESTRESSED
INDUSTRIES, INC.

JOB N':
STANDARDS

SHT. N':

12



DETAIL 13
NTS

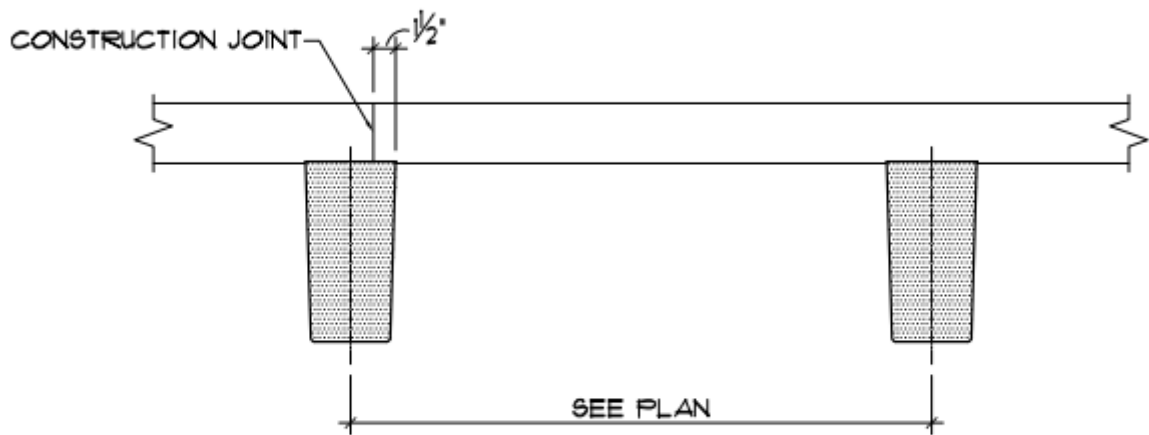


SPI STRUCTURAL
PRESTRESSED
INDUSTRIES, INC.

JOB N':
STANDARDS

SHT. N':

13



DETAIL (14)
SCALE 1" = 1'-0"

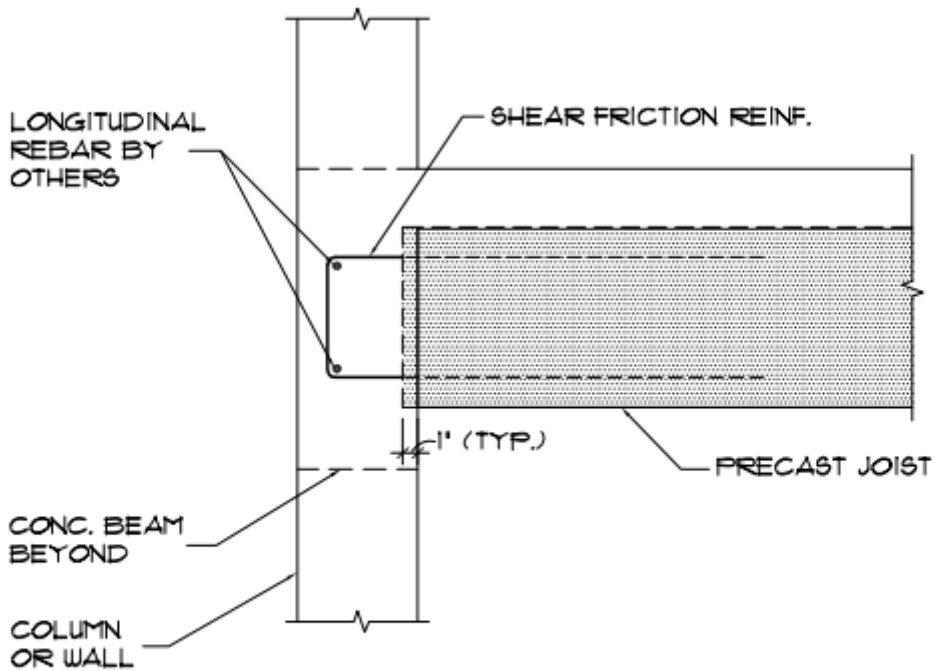


SPI STRUCTURAL
PRESTRESSED
INDUSTRIES, INC.

JOB N':
STANDARDS

SHT. N':

14



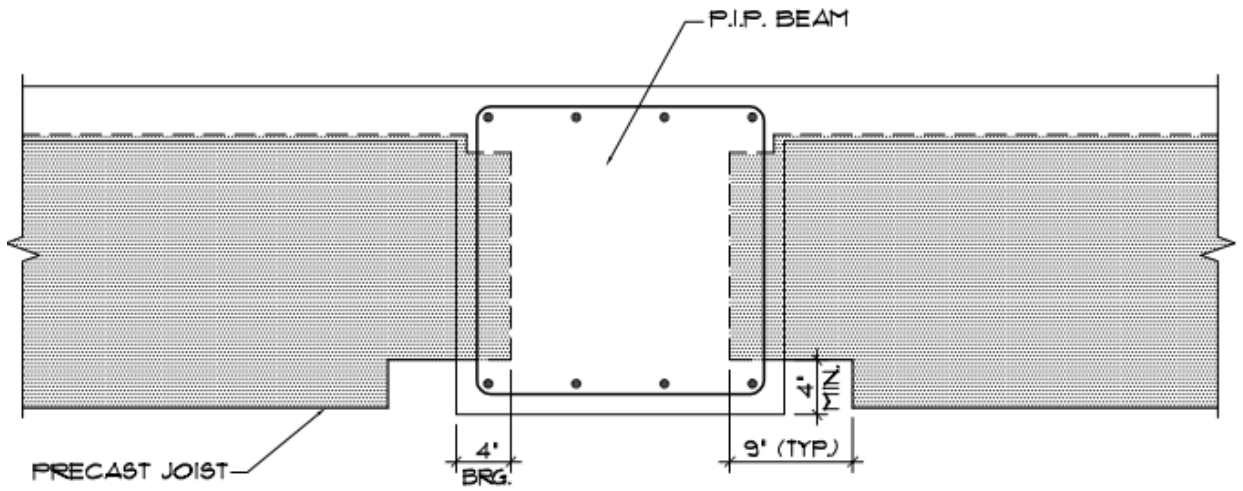
DETAIL 15
 SCALE 1" = 1'-0"



JOB N':
 STANDARDS

SHT. N':

15



DETAIL 16
 SCALE 1" = 1'-0"



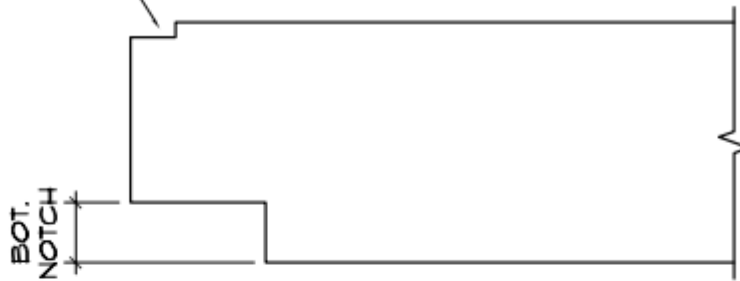
SPI STRUCTURAL
 PRESTRESSED
 INDUSTRIES, INC.

JOB N':
 STANDARDS

SHT. N':

16

TOP NOTCH IF REQ'D
TO CLEAR BEAM
REINFORCING.



JOIST SIZE	MAX. BOTTOM NOTCH
8'	1 ³ / ₄ '
12'	3 ³ / ₄ '
16'	6 ¹ / ₂ '
20'	8 ¹ / ₂ '
24'	9 ¹ / ₂ '
28'	10 ¹ / ₂ '

SHALLOW DAPS (LESS THAN $\emptyset 2$ H)
DAP REINFORCING NOT REQUIRED.
AS PER P.C.I.

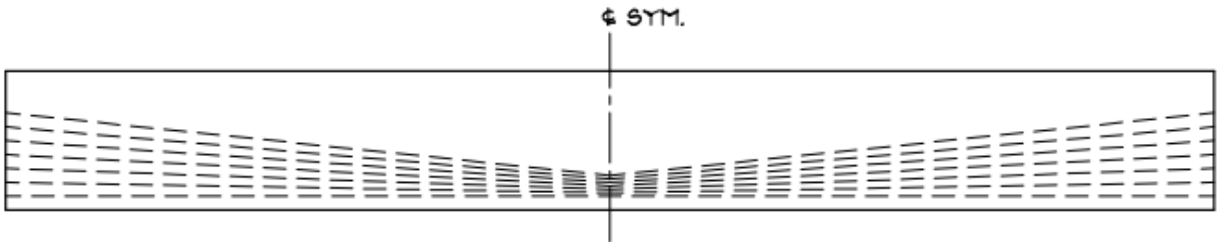


SPI STRUCTURAL
PRESTRESSED
INDUSTRIES, INC.

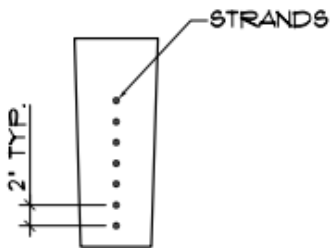
JOB N':
STANDARDS

SHT. N':

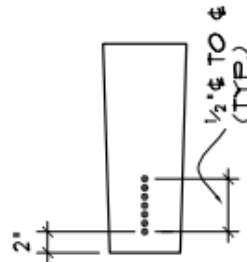
17



HARPED STRAND PATTERN
SCALE $\frac{1}{2}'' = 1'-0''$



END PATTERN
SCALE $\frac{3}{4}'' = 1'-0''$



MID SPAN
SCALE $\frac{3}{4}'' = 1'-0''$

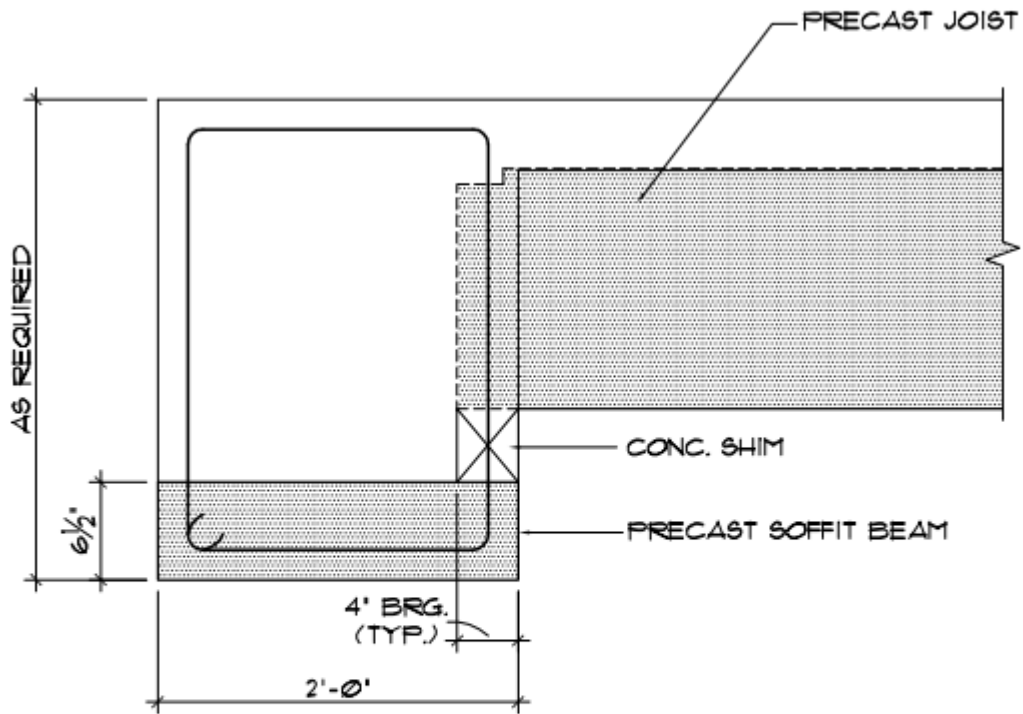


SPI STRUCTURAL
PRESTRESSED
INDUSTRIES, INC.

JOB N':
STANDARDS

SHT. N':

18



DETAIL 19
SCALE 1" = 1'-0"

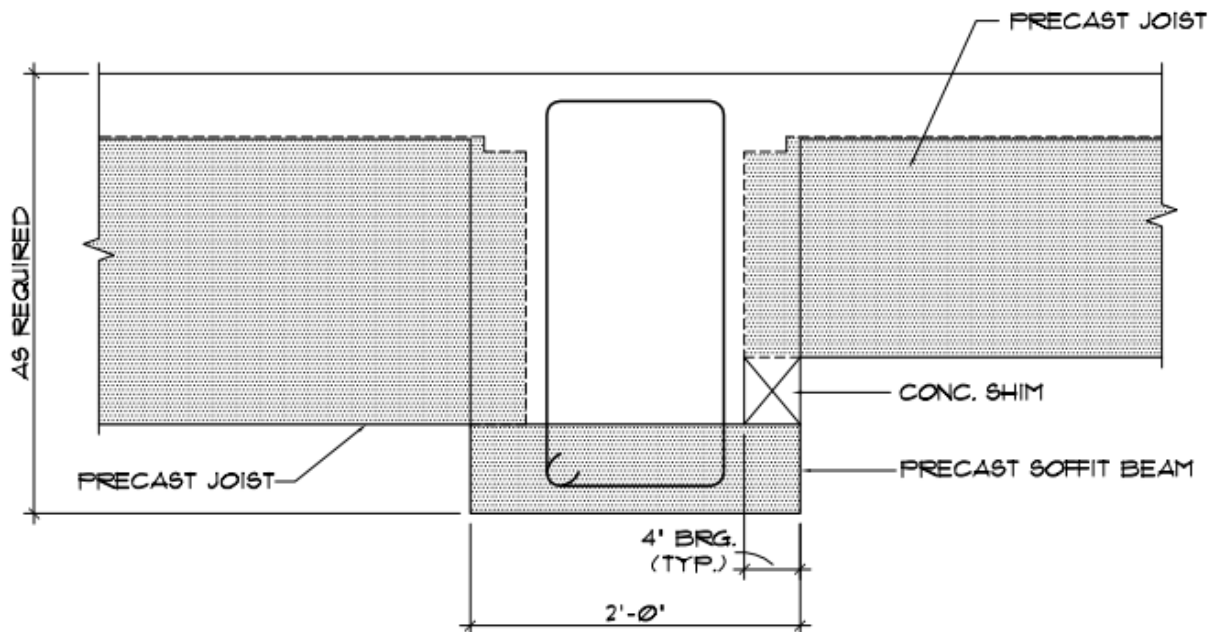


SPI STRUCTURAL
PRESTRESSED
INDUSTRIES, INC.

JOB N':
STANDARDS

SHT. N':

19



DETAIL 20
 SCALE 1" = 1'-0"

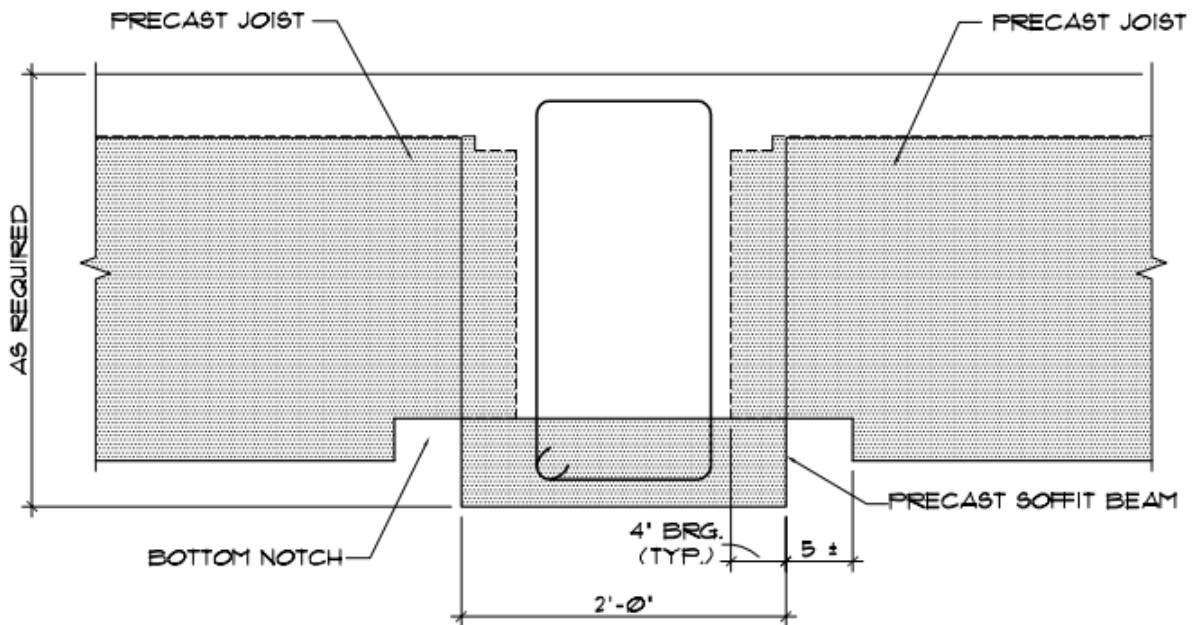


SPI STRUCTURAL
 PRESTRESSED
 INDUSTRIES, INC.

JOB N':
 STANDARDS

SHT. N':

20



DETAIL 21
 SCALE 1" = 1'-0"

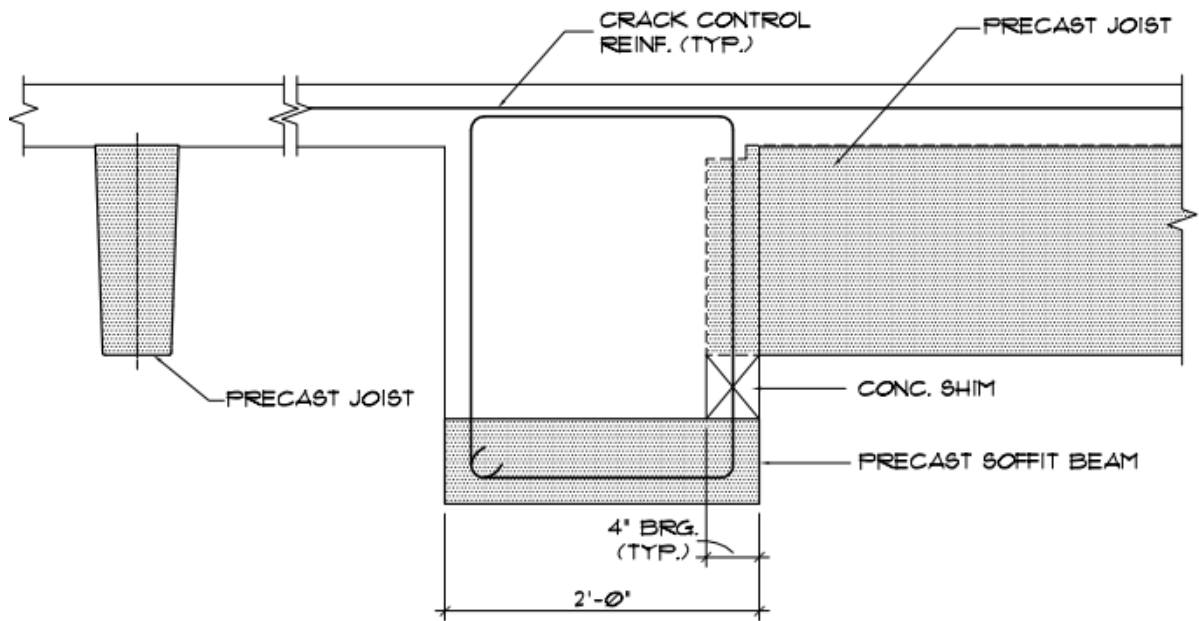


SPI STRUCTURAL
 PRESTRESSED
 INDUSTRIES, INC.

JOB N':
 STANDARDS

SHT. N':

21



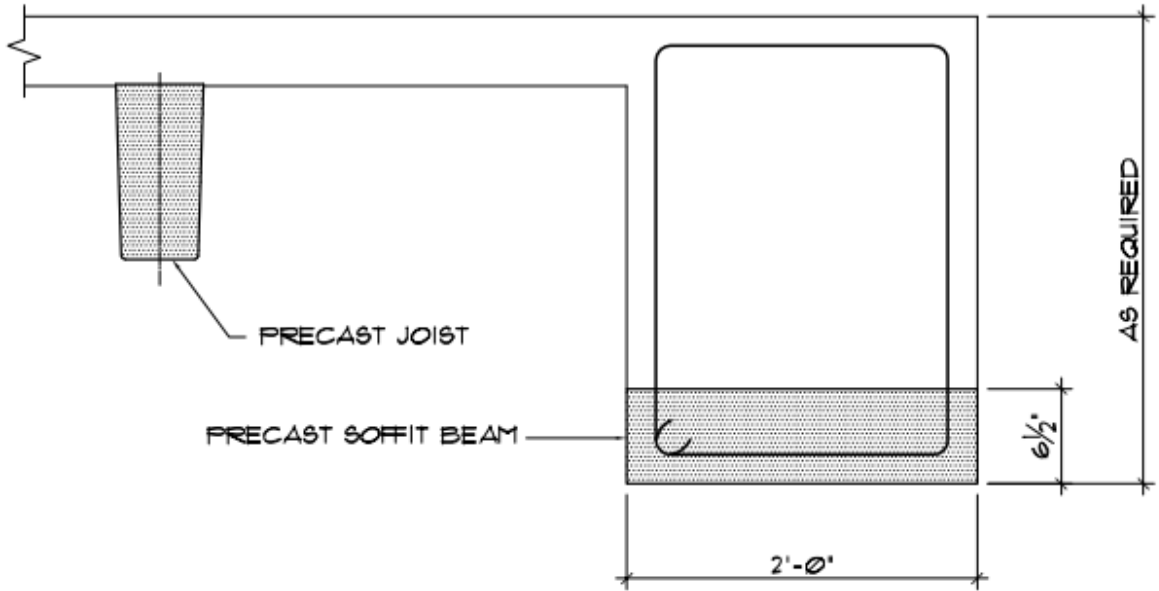
DETAIL (22)
SCALE 1" = 1'-0"



JOB N':
STANDARDS

SHT. N':

22



DETAIL (23)
SCALE 1" = 1'-0"

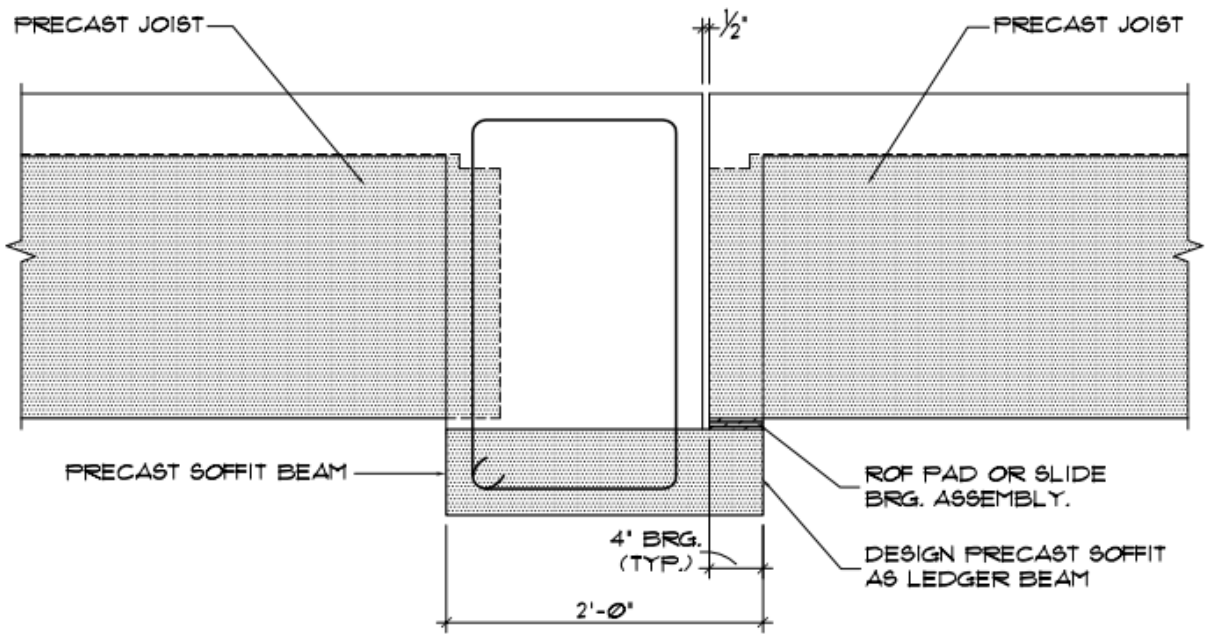


SPI STRUCTURAL
PRESTRESSED
INDUSTRIES, INC.

JOB N':
STANDARDS

SHT. N':

23



DETAIL 24
SCALE 1" = 1'-0"

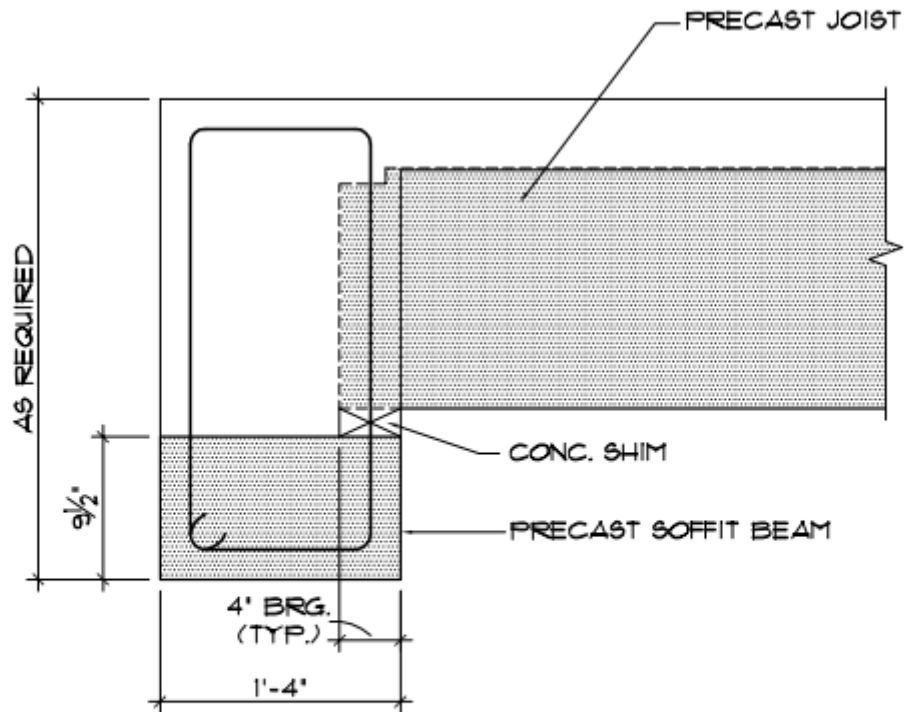


SPI STRUCTURAL
PRESTRESSED
INDUSTRIES, INC.

JOB N':
STANDARDS

SHT. N':

24



DETAIL (25)
SCALE 1" = 1'-0"

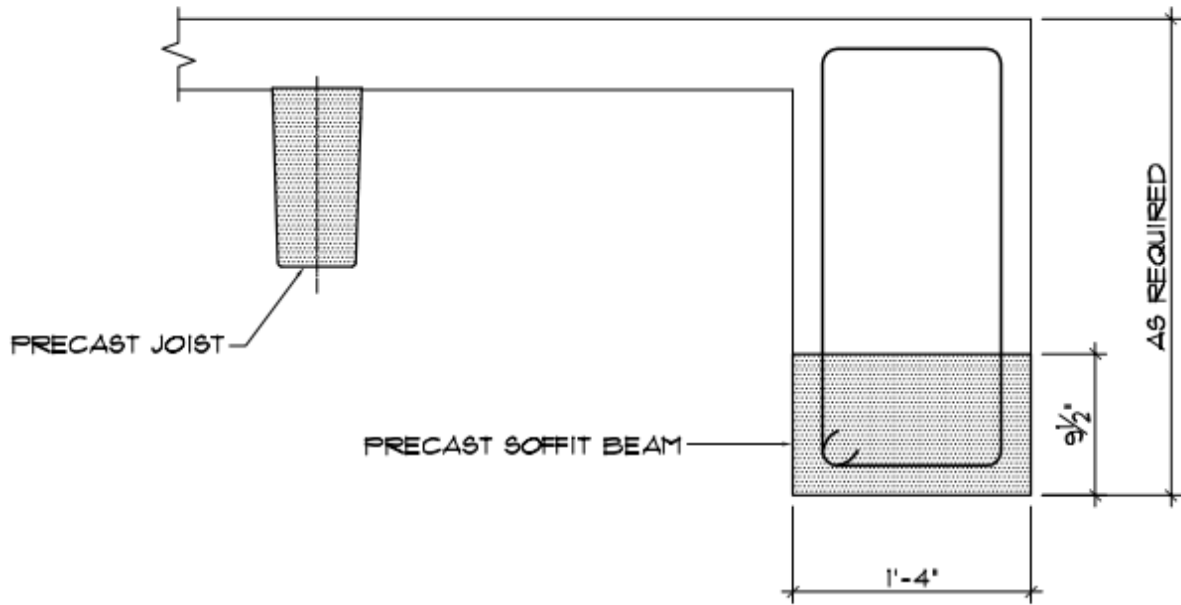


SPI STRUCTURAL
PRESTRESSED
INDUSTRIES, INC.

JOB N':
STANDARDS

SHT. N':

25



DETAIL 26
 SCALE 1" = 1'-0"

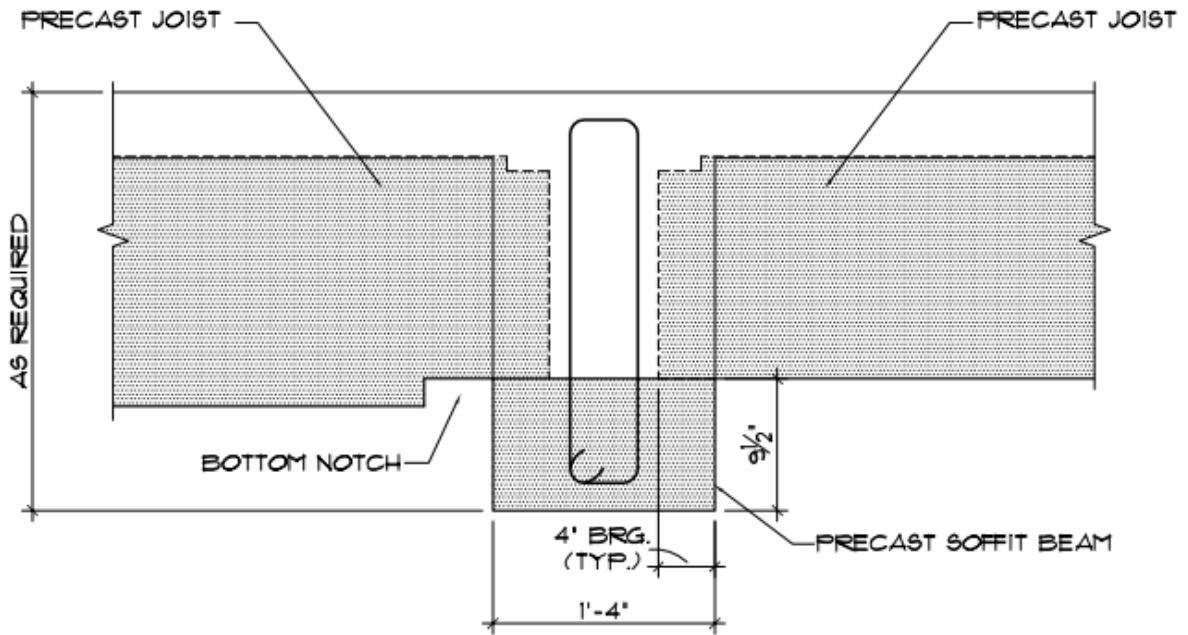


SPI STRUCTURAL
 PRESTRESSED
 INDUSTRIES, INC.

JOB N':
 STANDARDS

SHT. N':

26

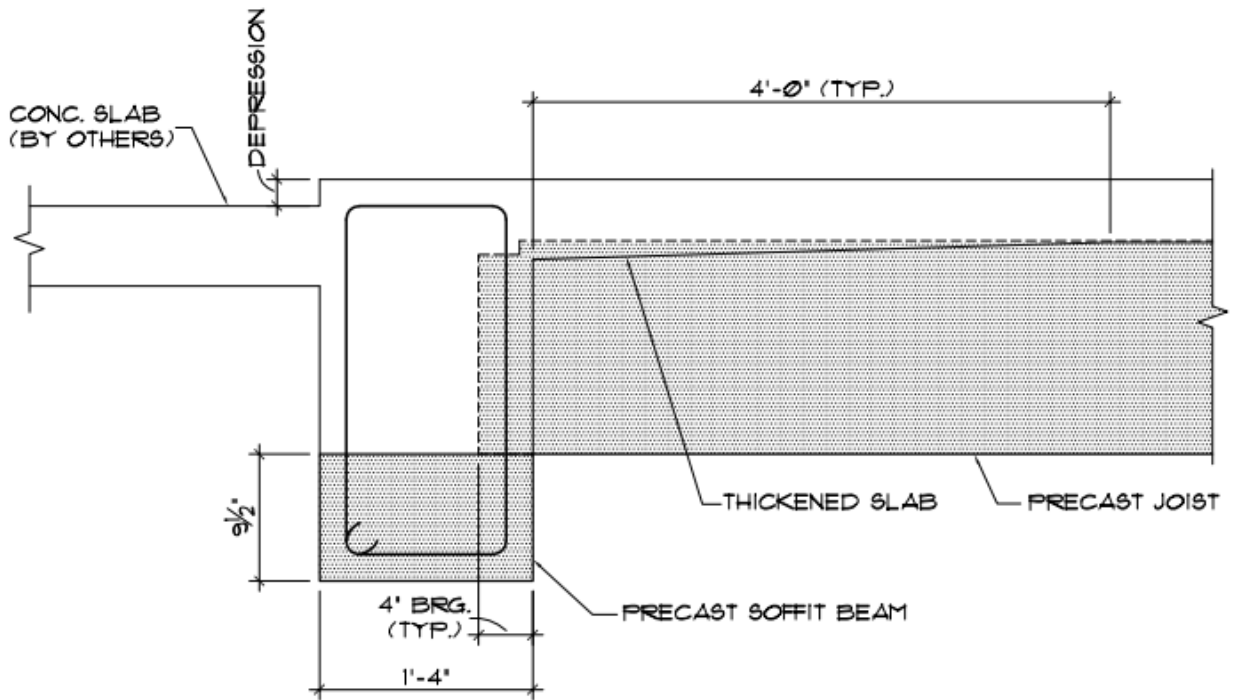


DETAIL (27)
 SCALE 1" = 1'-0"



JOB N':
 STANDARDS

SHT. N':
 27



DETAIL 28
SCALE 1" = 1'-0"

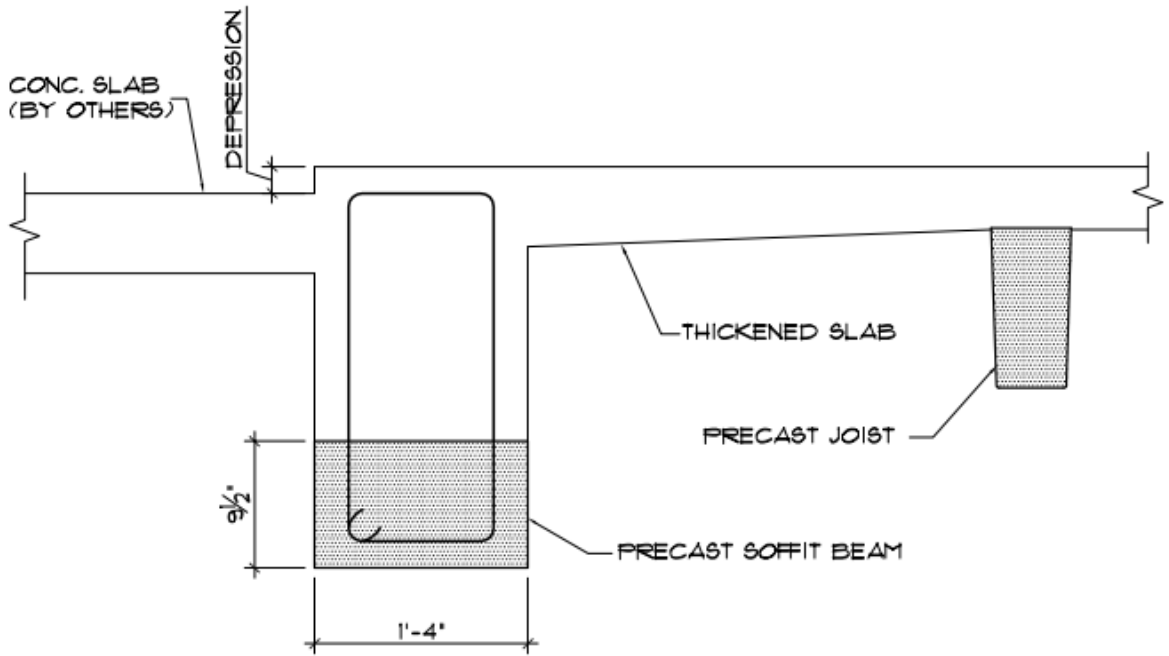


SPI STRUCTURAL
PRESTRESSED
INDUSTRIES, INC.

JOB N':
STANDARDS

SHT. N':

28



DETAIL (29)
 SCALE 1" = 1'-0"

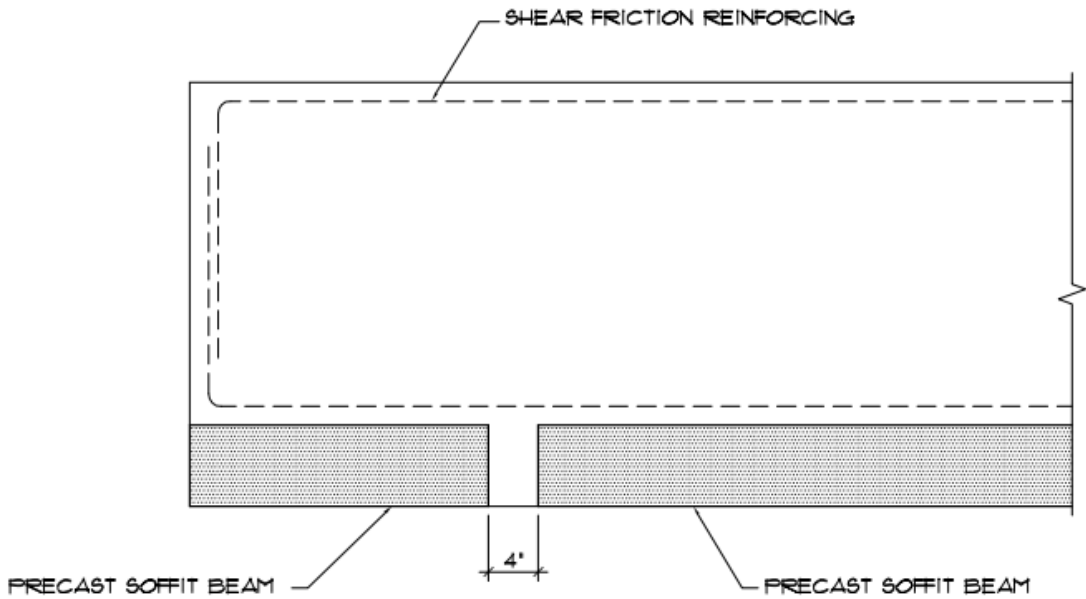


SPI STRUCTURAL
 PRESTRESSED
 INDUSTRIES, INC.

JOB N':
 STANDARDS

SHT. N':

29



SOFFIT TO SOFFIT CONNECTION DETAIL

SCALE 1" = 1'-0"

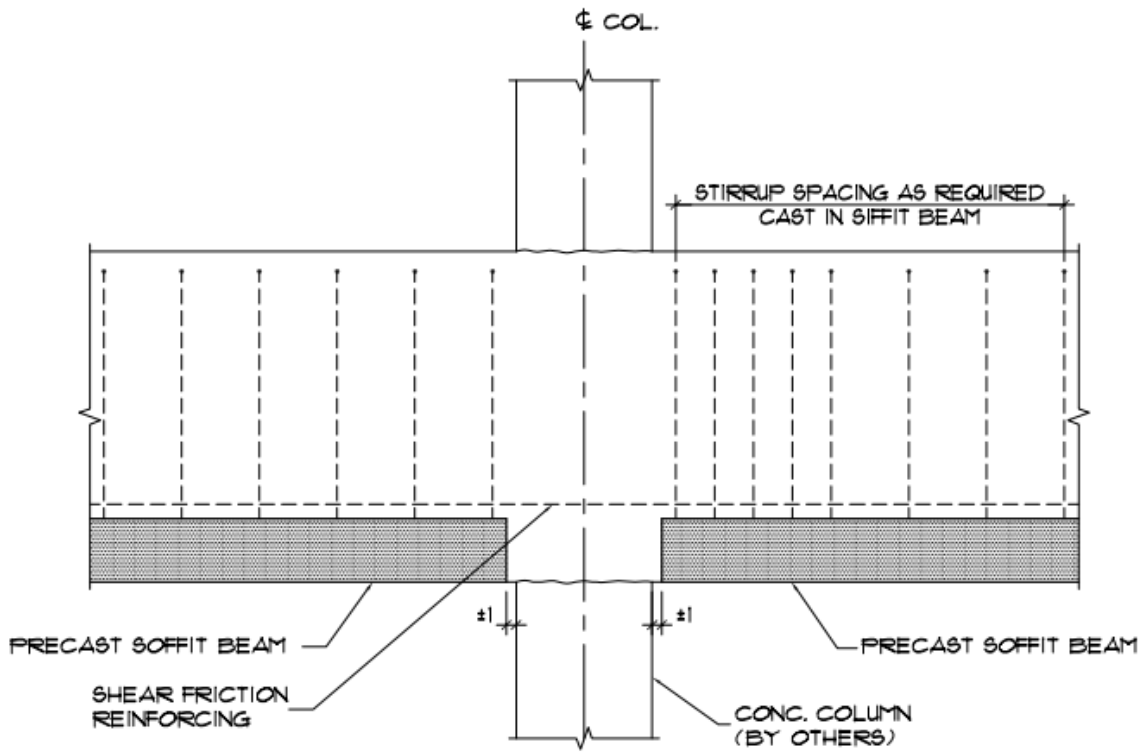
30



JOB N':
STANDARDS

SHT. N':

30



SOFFIT TO COLUMN CONNECTION DETAIL
 SCALE $\frac{3}{4}" = 1'-0"$

31

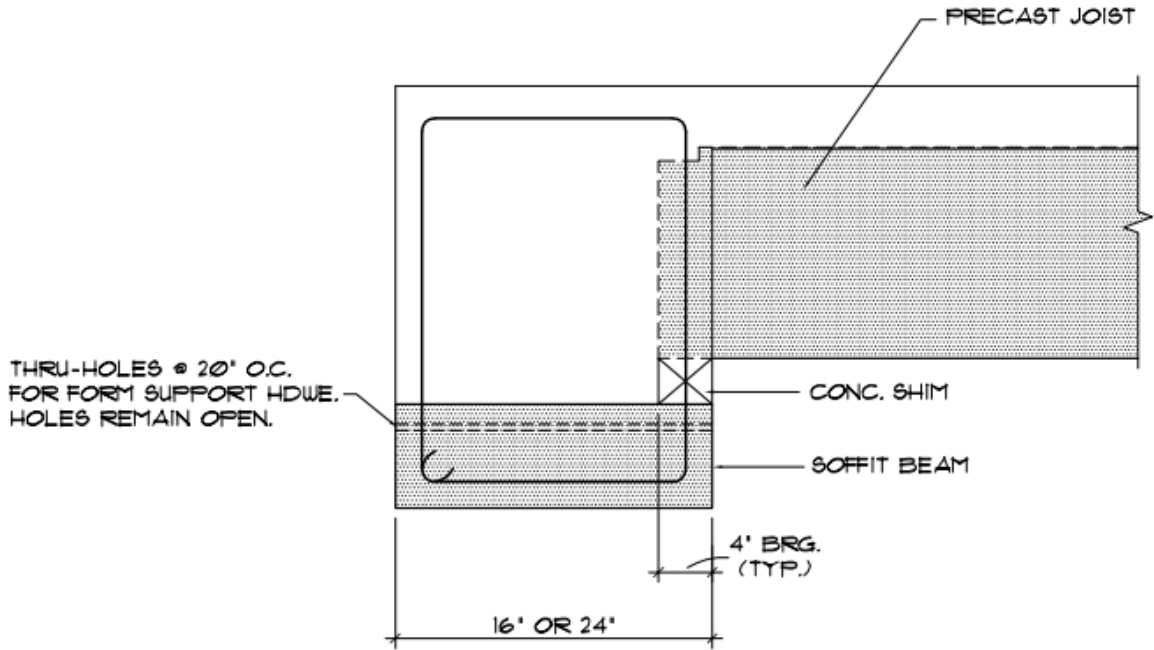


SPI STRUCTURAL
 PRESTRESSED
 INDUSTRIES, INC.

JOB N':
 STANDARDS

SHT. N':

31



DETAIL 32
SCALE 1" = 1'-0"

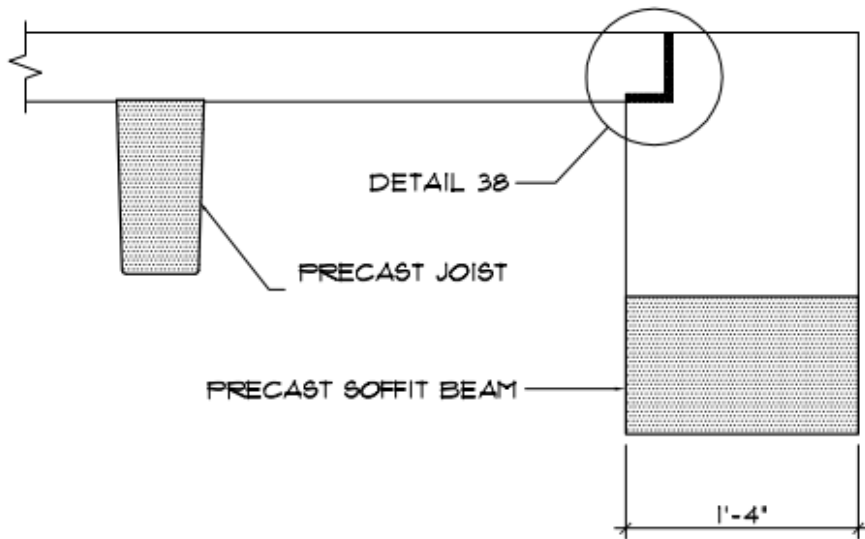


SPI STRUCTURAL
PRESTRESSED
INDUSTRIES, INC.

JOB N':
STANDARDS

SHT. N':

32

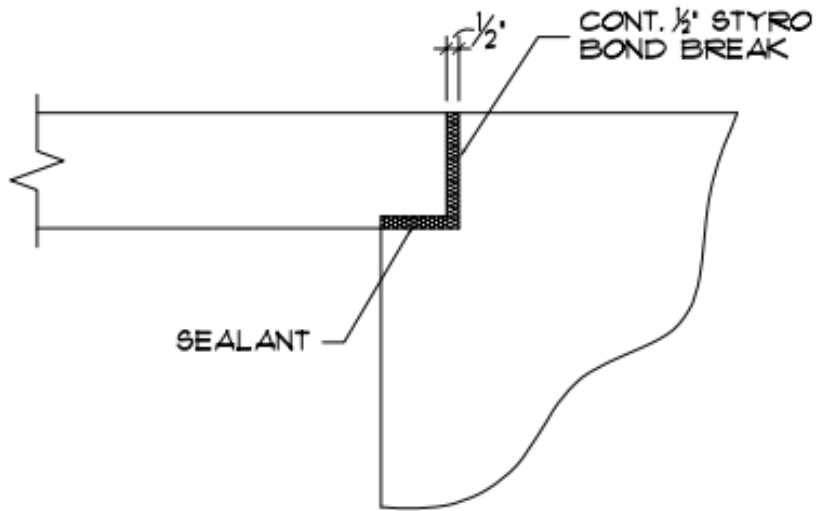


DETAIL 33
 SCALE 1" = 1'-0"



JOB N':
 STANDARDS

SHT. N':
33



DETAIL 34
 SCALE 1/2" = 1'-0"

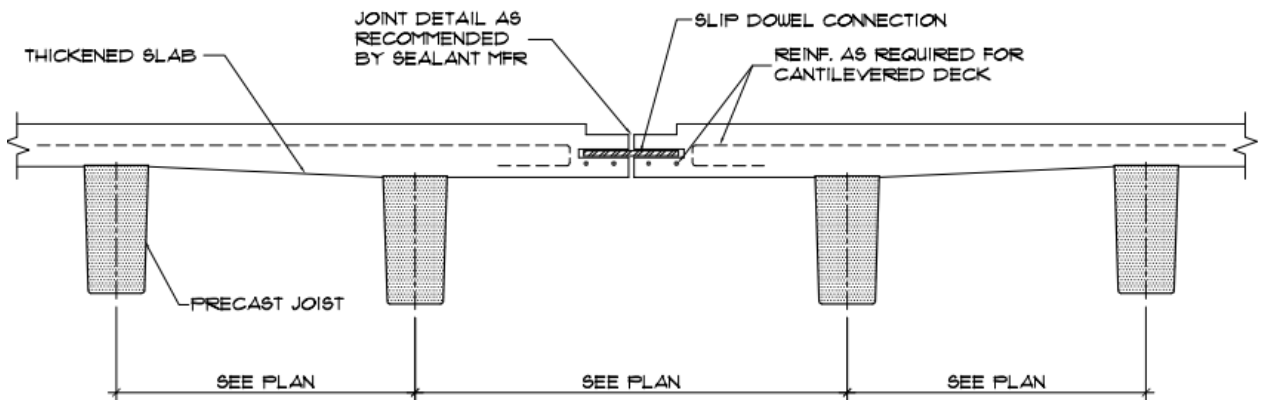


SPI STRUCTURAL
 PRESTRESSED
 INDUSTRIES, INC.

JOB N':
 STANDARDS

SHT. N':

34



DETAIL 35
 SCALE 1" = 1'-0"

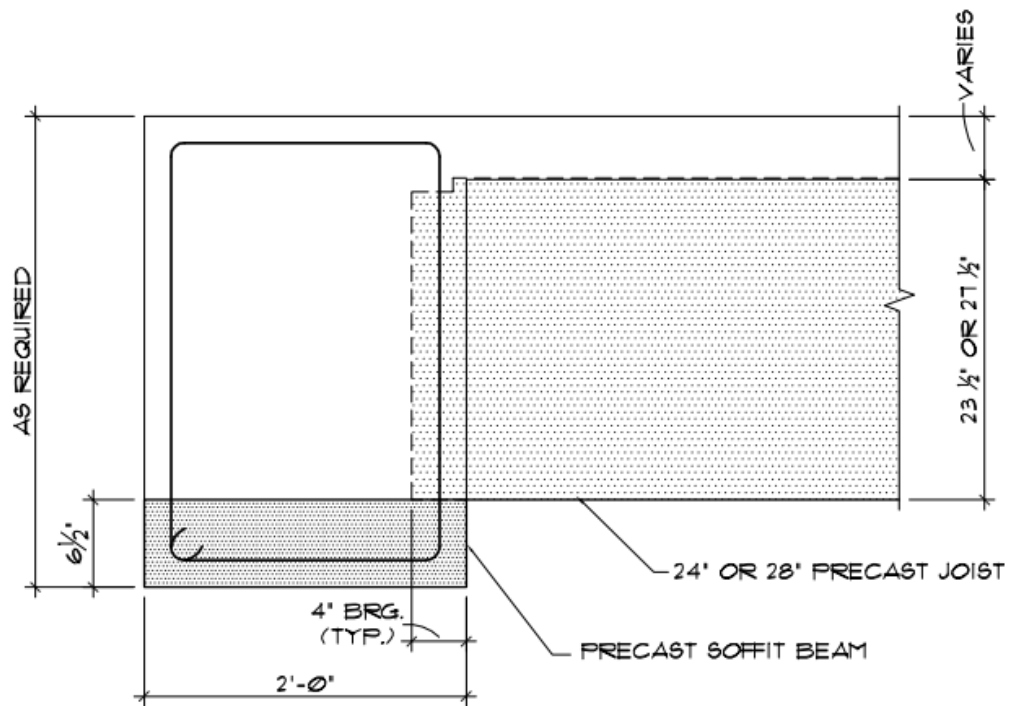


SPI STRUCTURAL
 PRESTRESSED
 INDUSTRIES, INC.

JOB N':
 STANDARDS

SHT. N':

35



DETAIL 36
SCALE 1" = 1'-0"

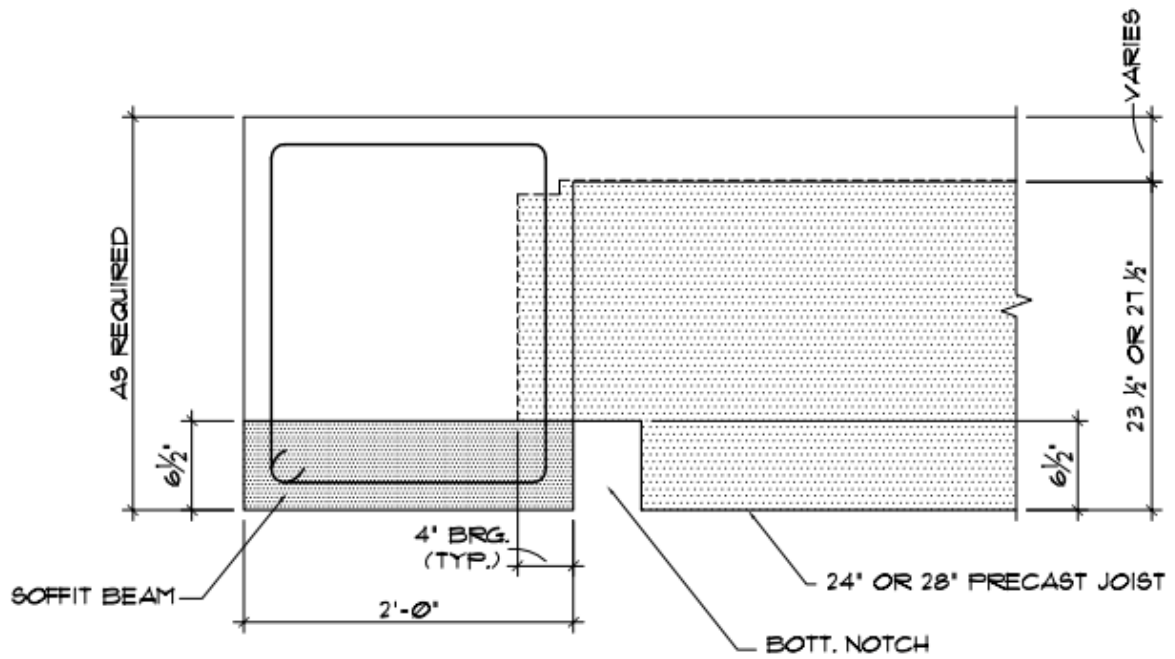


SPI STRUCTURAL
PRESTRESSED
INDUSTRIES, INC.

JOB N':
STANDARDS

SHT. N':

36



DETAIL 37
SCALE 1" = 1'-0"

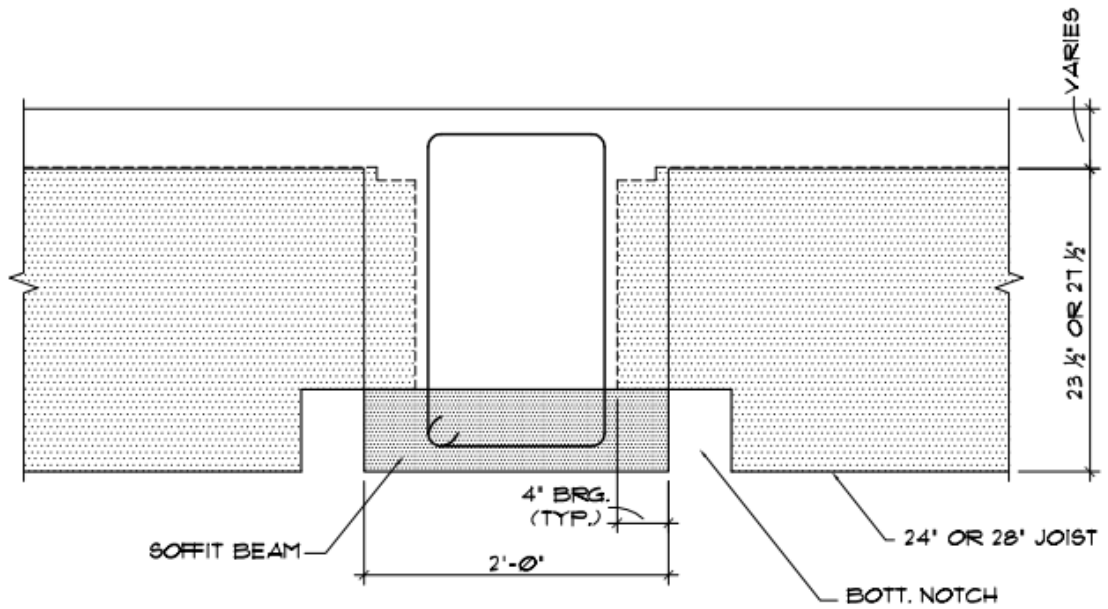


SPI STRUCTURAL
PRESTRESSED
INDUSTRIES, INC.

JOB N':
STANDARDS

SHT. N':

37



DETAIL 38
 SCALE 1" = 1'-0"

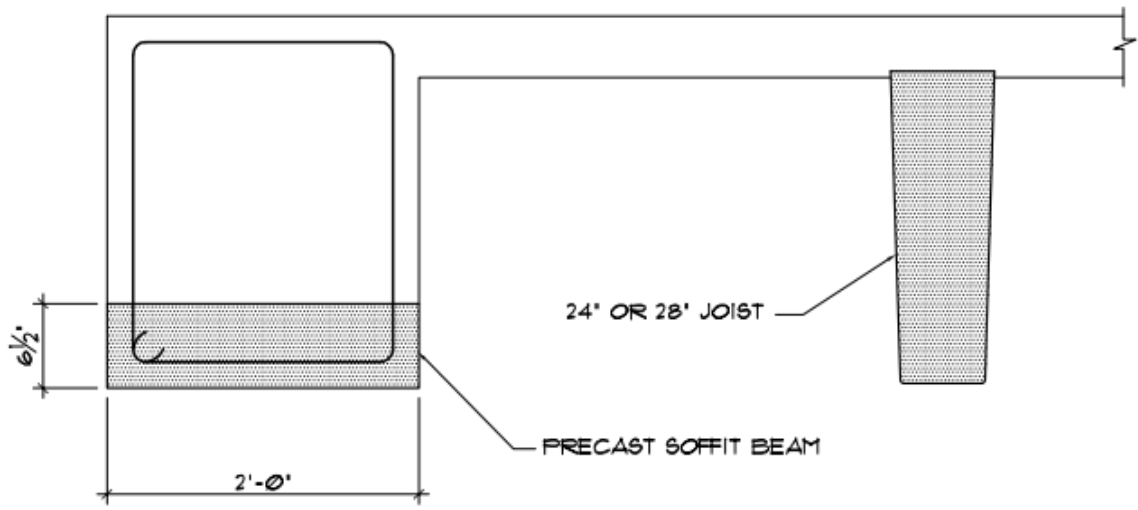


SPI STRUCTURAL
 PRESTRESSED
 INDUSTRIES, INC.

JOB N':
 STANDARDS

SHT. N':

38

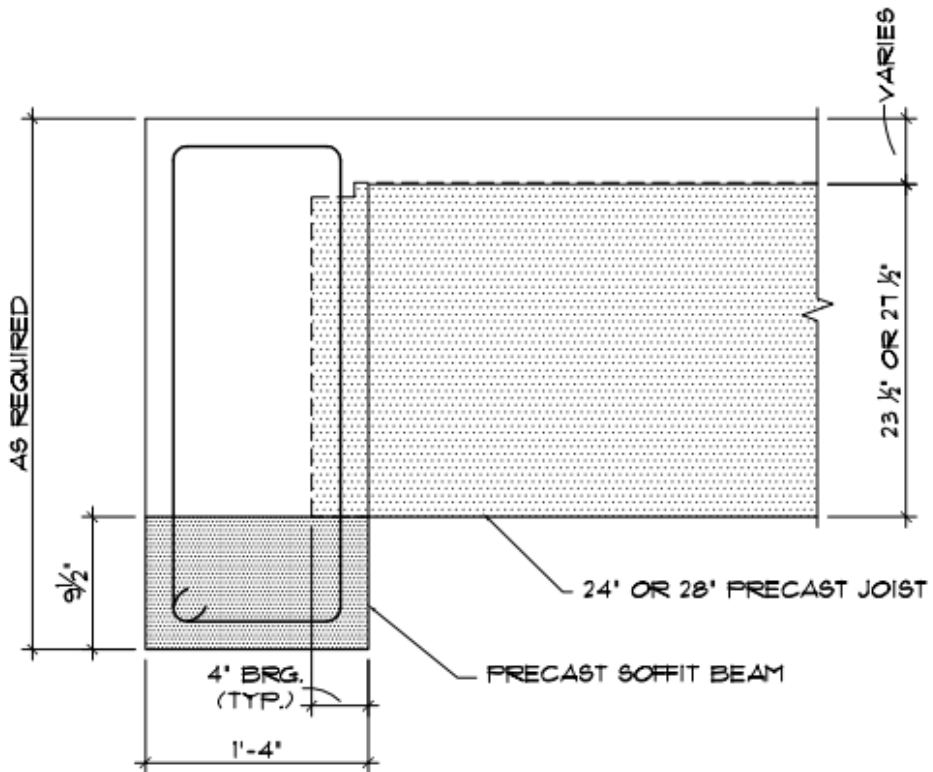


DETAIL (39)
 SCALE 1" = 1'-0"



JOB N':
 STANDARDS

SHT. N':
 39



DETAIL 40
 SCALE 1" = 1'-0"

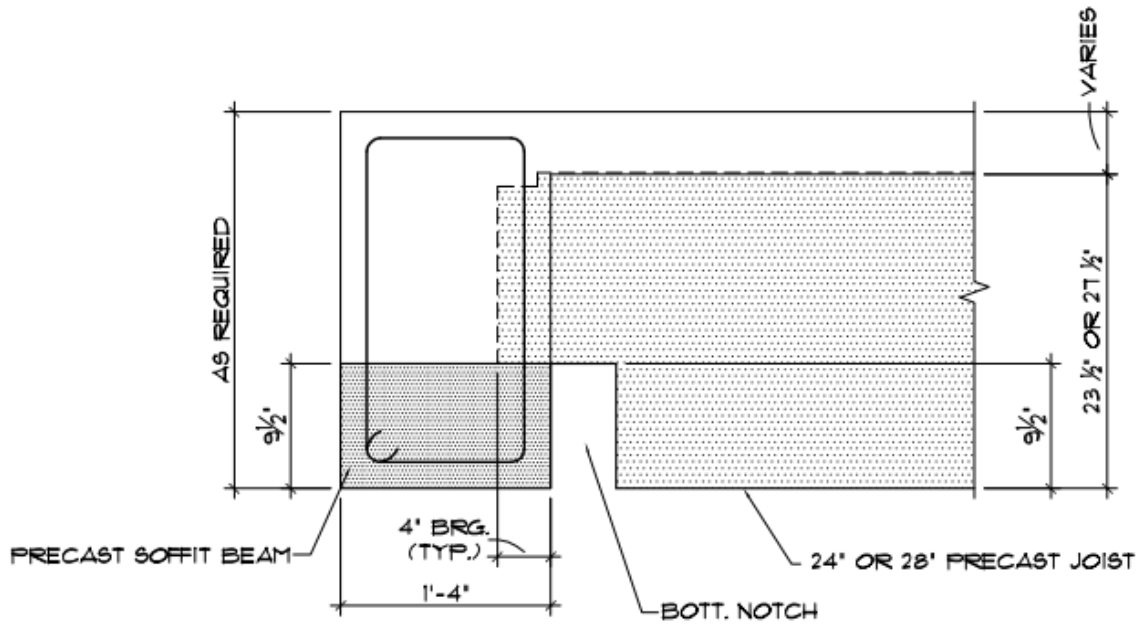


SPI STRUCTURAL
 PRESTRESSED
 INDUSTRIES, INC.

JOB N':
 STANDARDS

SHT. N':

40



DETAIL 41
 SCALE 1" = 1'-0"

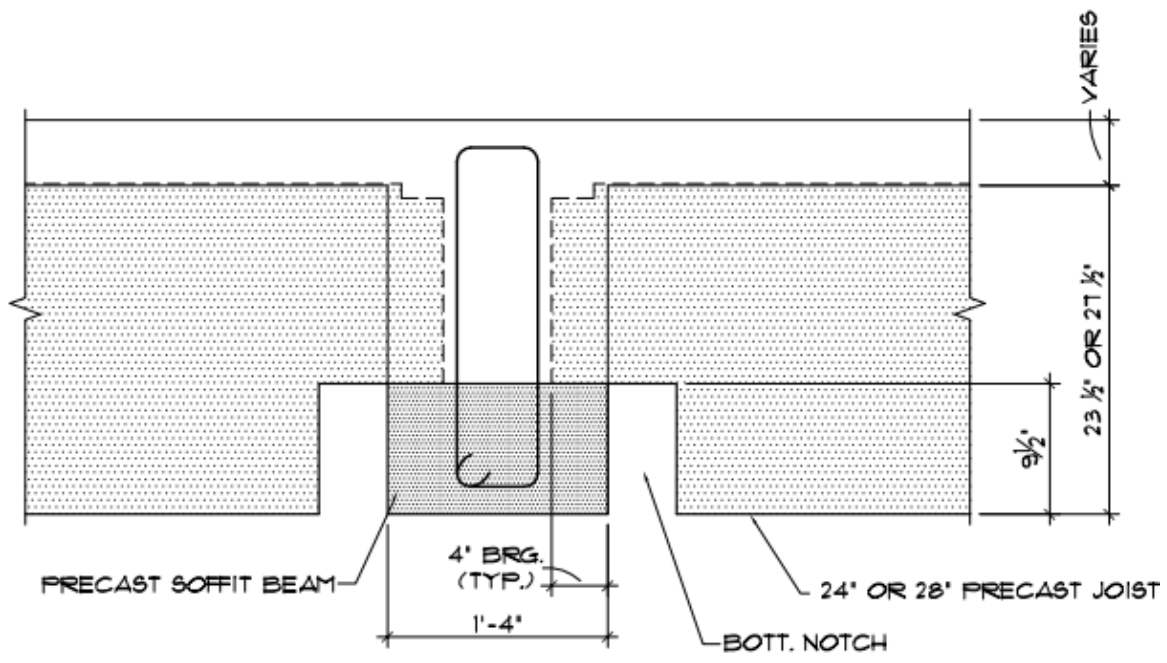


SPI STRUCTURAL
 PRESTRESSED
 INDUSTRIES, INC.

JOB N':
 STANDARDS

SHT. N':

41

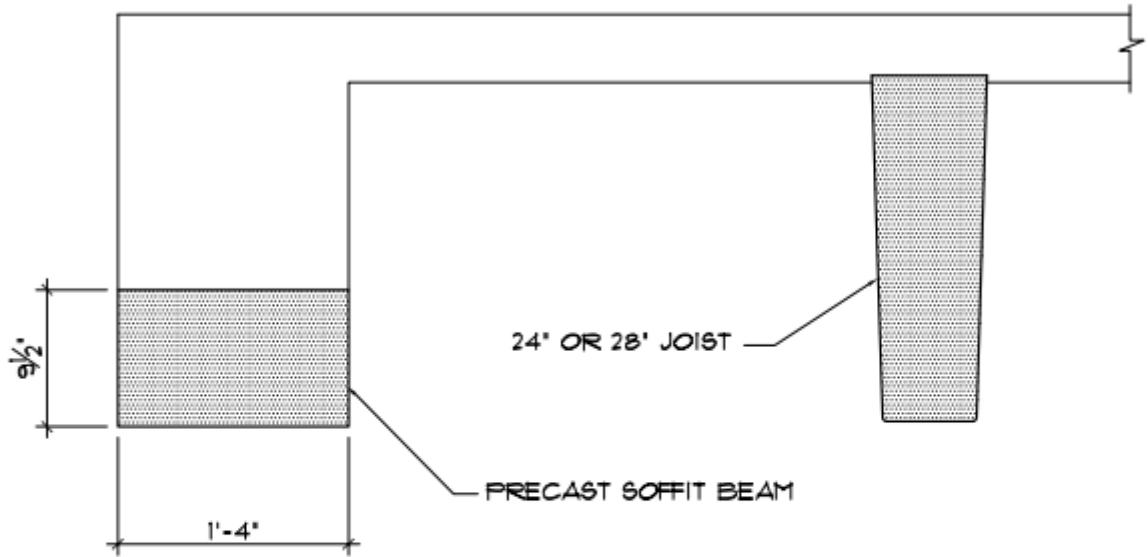


DETAIL 42
 SCALE 1" = 1'-0"



JOB N':
 STANDARDS

SHT. N':
42



DETAIL 43
 SCALE 1" = 1'-0"

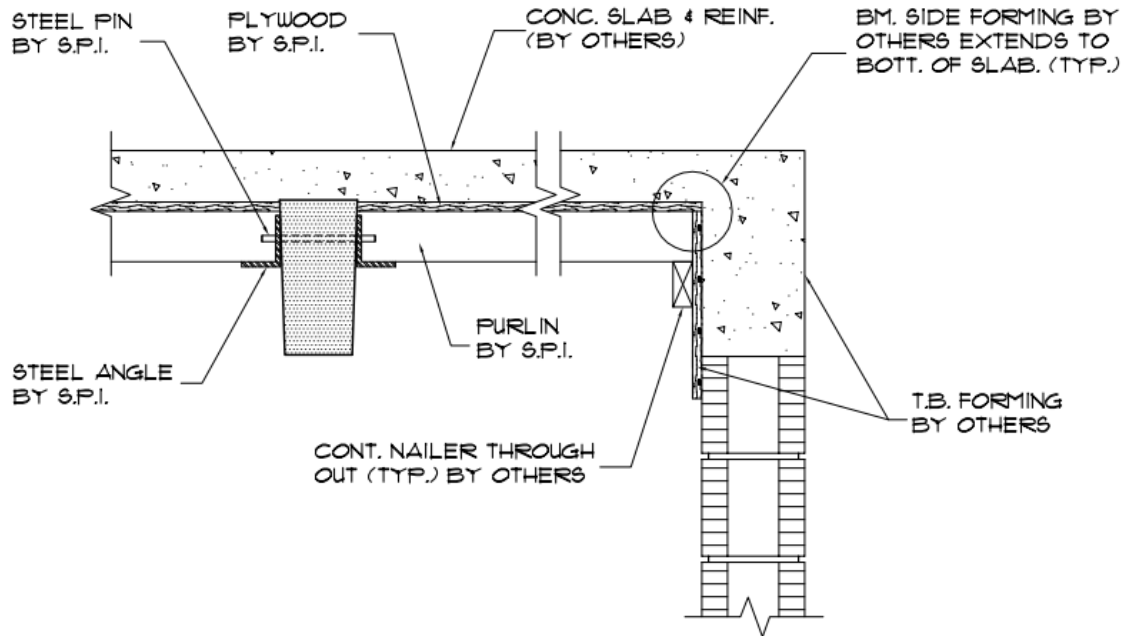


SPI STRUCTURAL
 PRESTRESSED
 INDUSTRIES, INC.

JOB N':
 STANDARDS

SHT. N':

43



FORMING DETAIL (44)

SCALE 1" = 1'-0"

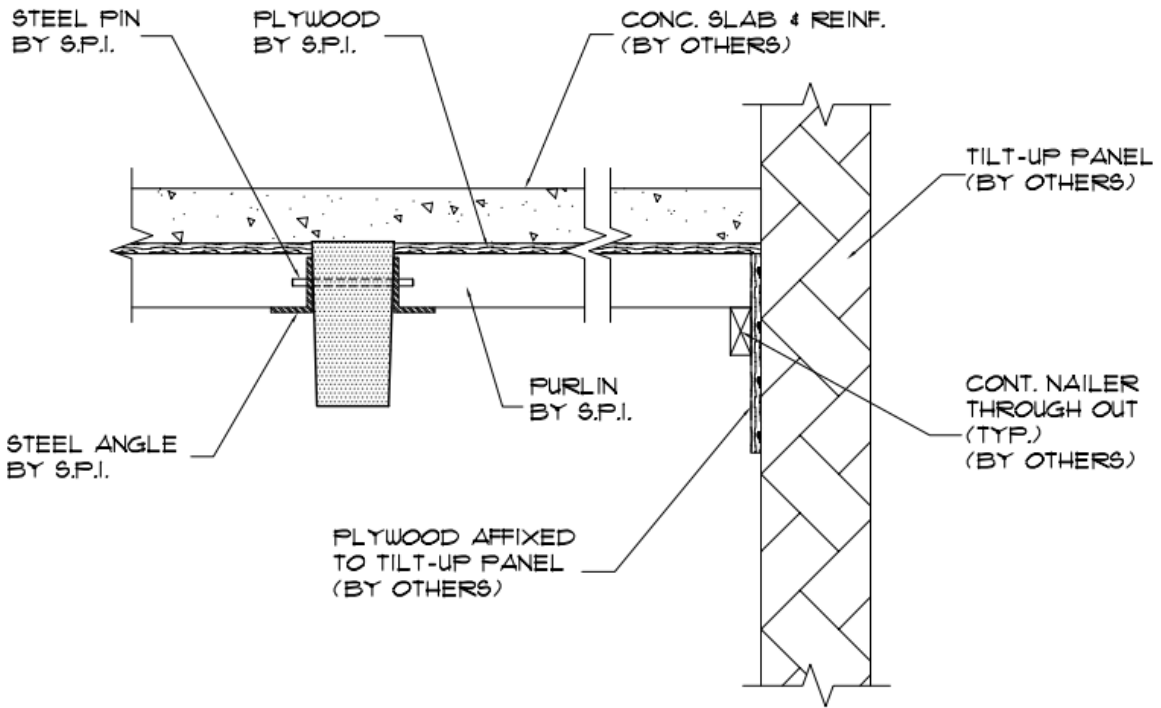


SPI STRUCTURAL PRESTRESSED INDUSTRIES, INC.

JOB N':
STANDARDS

SHT. N':

44



FORMING DETAIL 45

SCALE 1" = 1'-0"



SPI STRUCTURAL
PRESTRESSED
INDUSTRIES, INC.

JOB N':
STANDARDS

SHT. N':

45

