



ALKO SEWING CENTER

www.alkosewing.com

Find us on Facebook

<https://www.facebook.com/AlkoSewingCenter/>

440-951-3435

Welcome to
May Sew It All Club!



Brother Stellaire2 XJ2 Sewing Embroidery Quilting Machine

Floor Model

Half off regular price!

Only One at this Price! Don't Miss out!

The modern Stellaire2 Innov-ís XJ2 Disney Combo Sewing and Embroidery machine continues the Brother legacy of exceptional combo machines. With 788 embroidery designs, plus 101 Disney-exclusive designs (for a total of 889), a large 9.5" x 14" embroidery area, and wireless integration with Artspira, the Stellaire2 Innov-ís XJ2 will elevate your sewing and embroidery skills.

NEW Dakota Collectable Design Collections!

Available at ALKO Sewing Center



Single Color Designs

Click on image for MORE Details



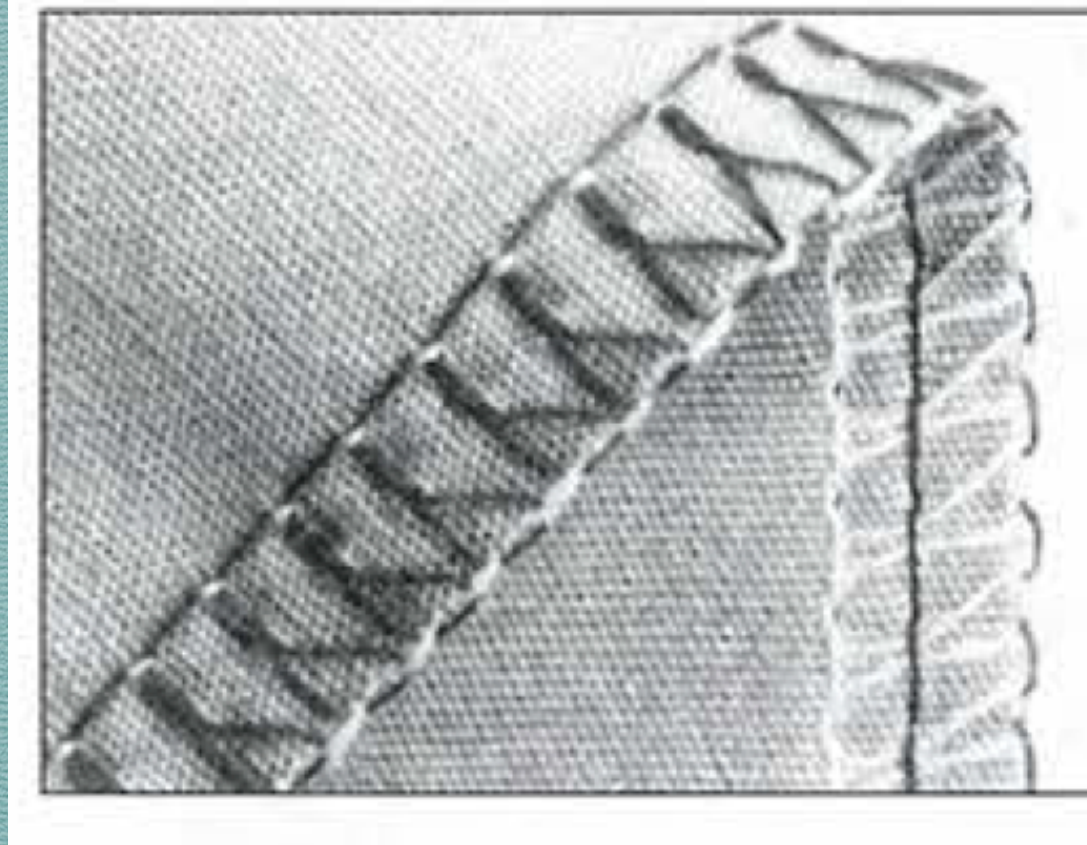
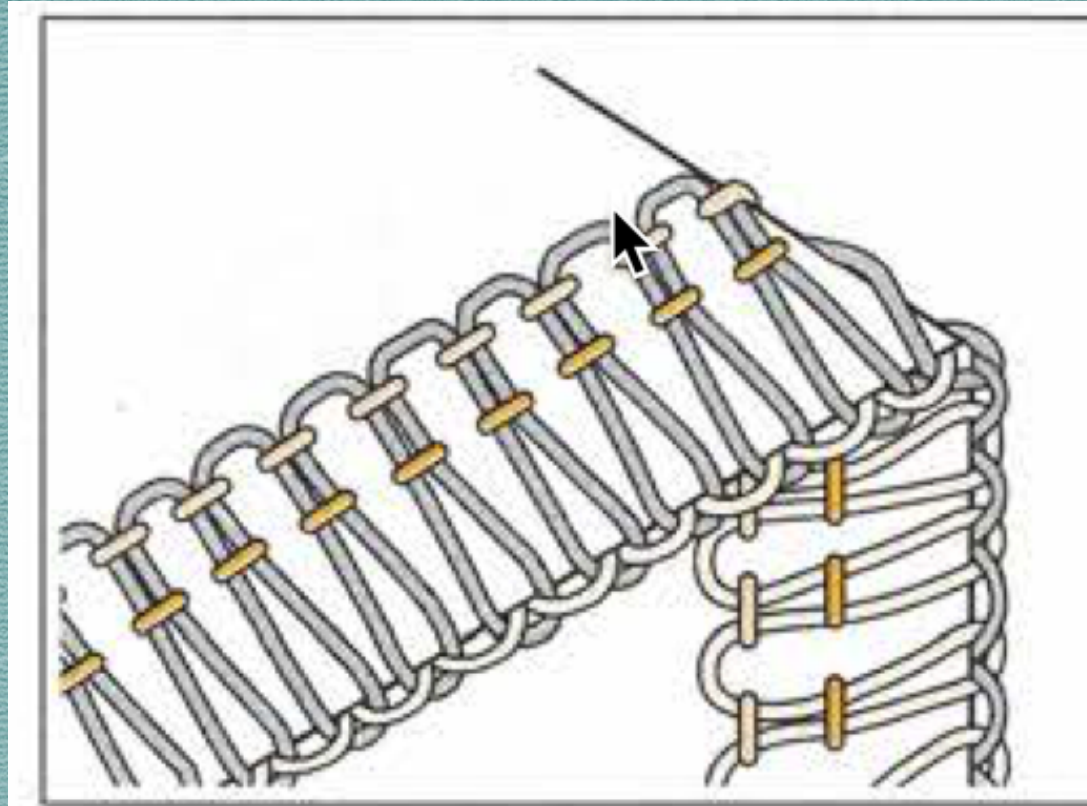
Tips & Tricks Topic for Today

Serger Stichery!

with a focus on Serger Seams



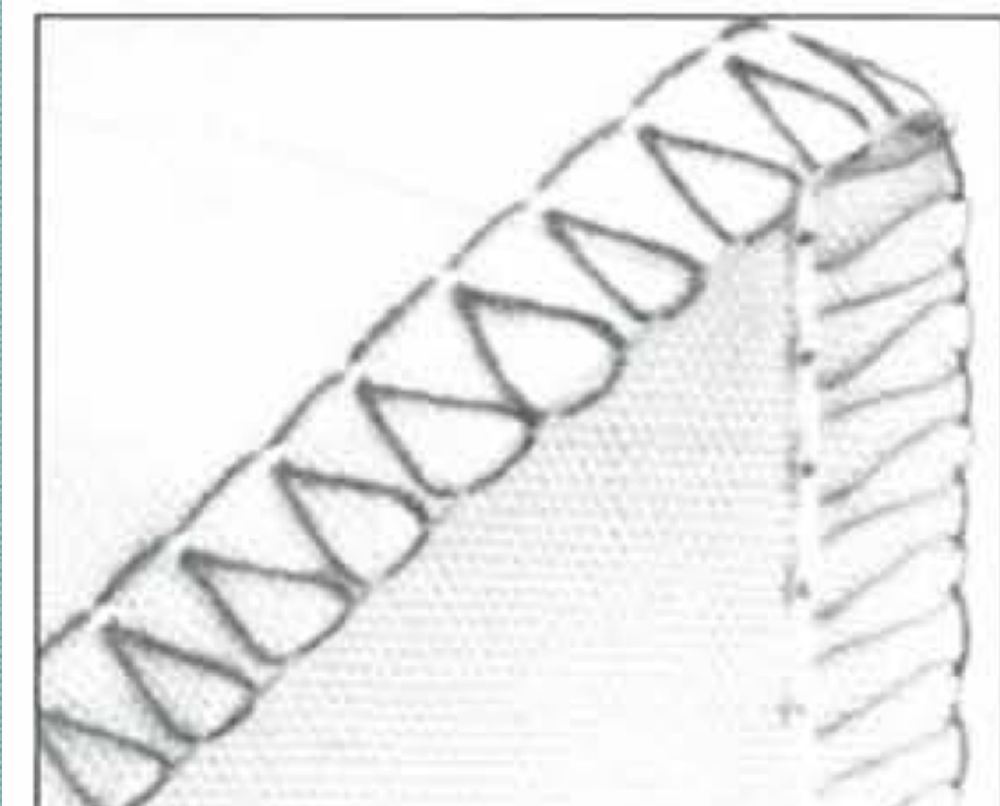
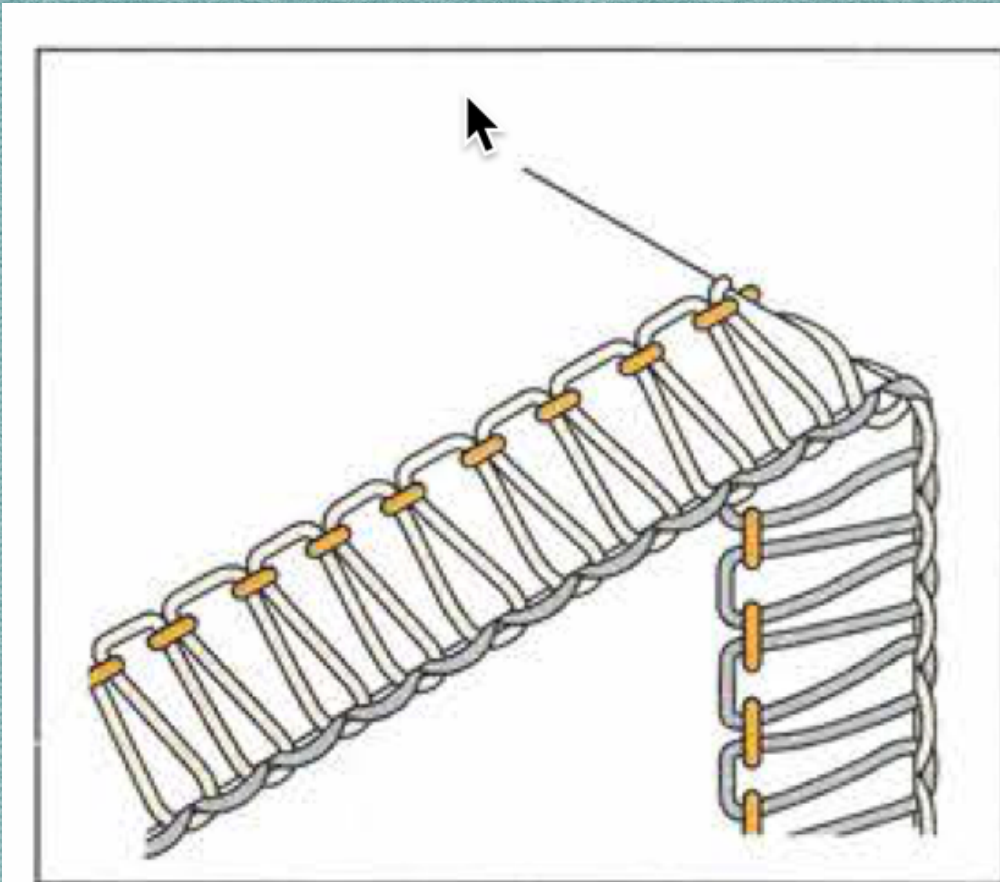
4-Thread



- Two needles in combination with the upper and lower looper to form a stitch approximately 1/4 inch wide.
- Doesn't lock *quite as tight* as a regular sewing machine stitch.
- Sews a seam and seals raw edges in one step.
- Made up of interlocking loops - more flexible (stretchy) than a sewing machine straight stitch.
- Ideal for knits or wovens. Note: Reinforce with sewing machine *if* there is *significant stress* put on the seam.
- Suitable for seams requiring no future expansion.



3-Thread



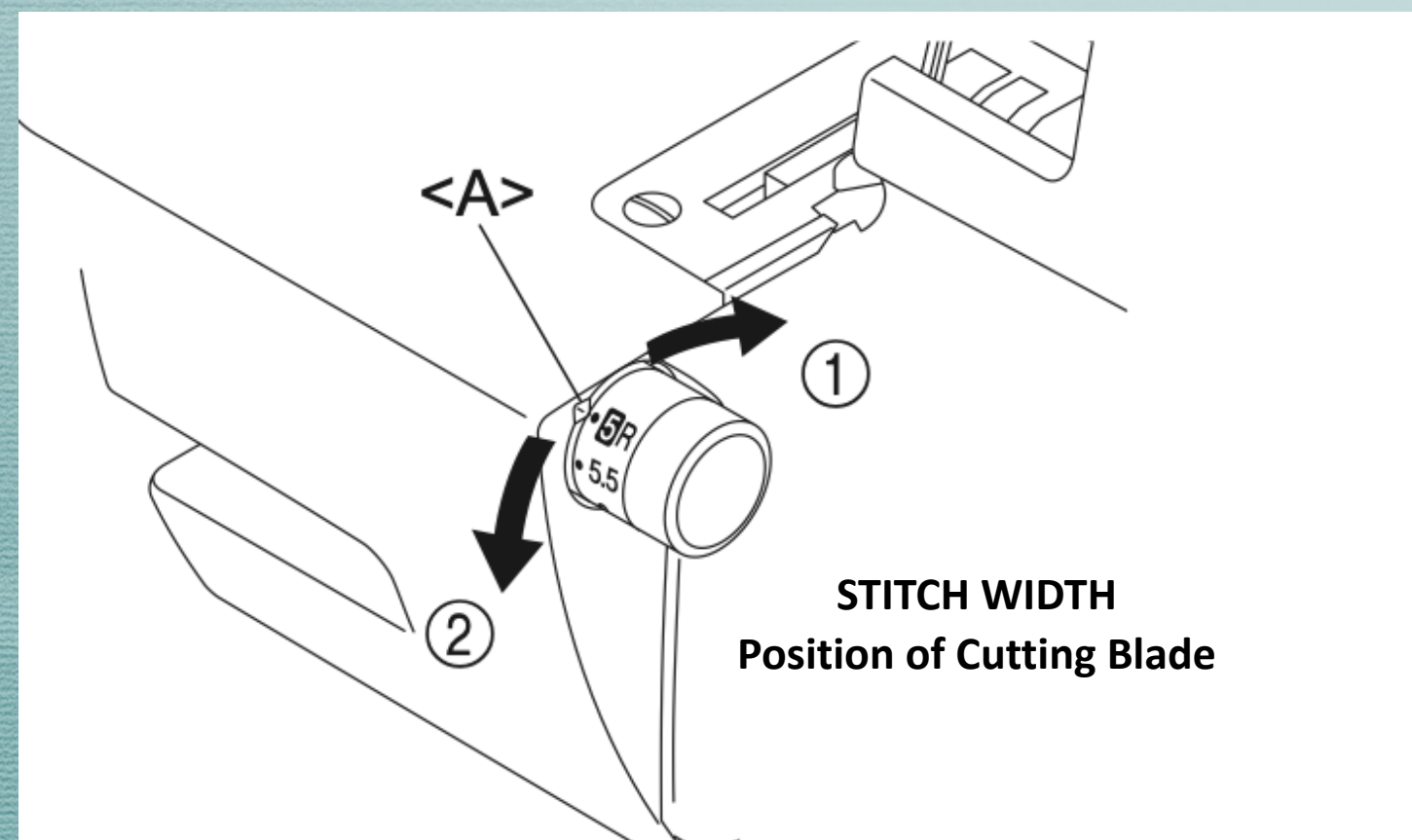
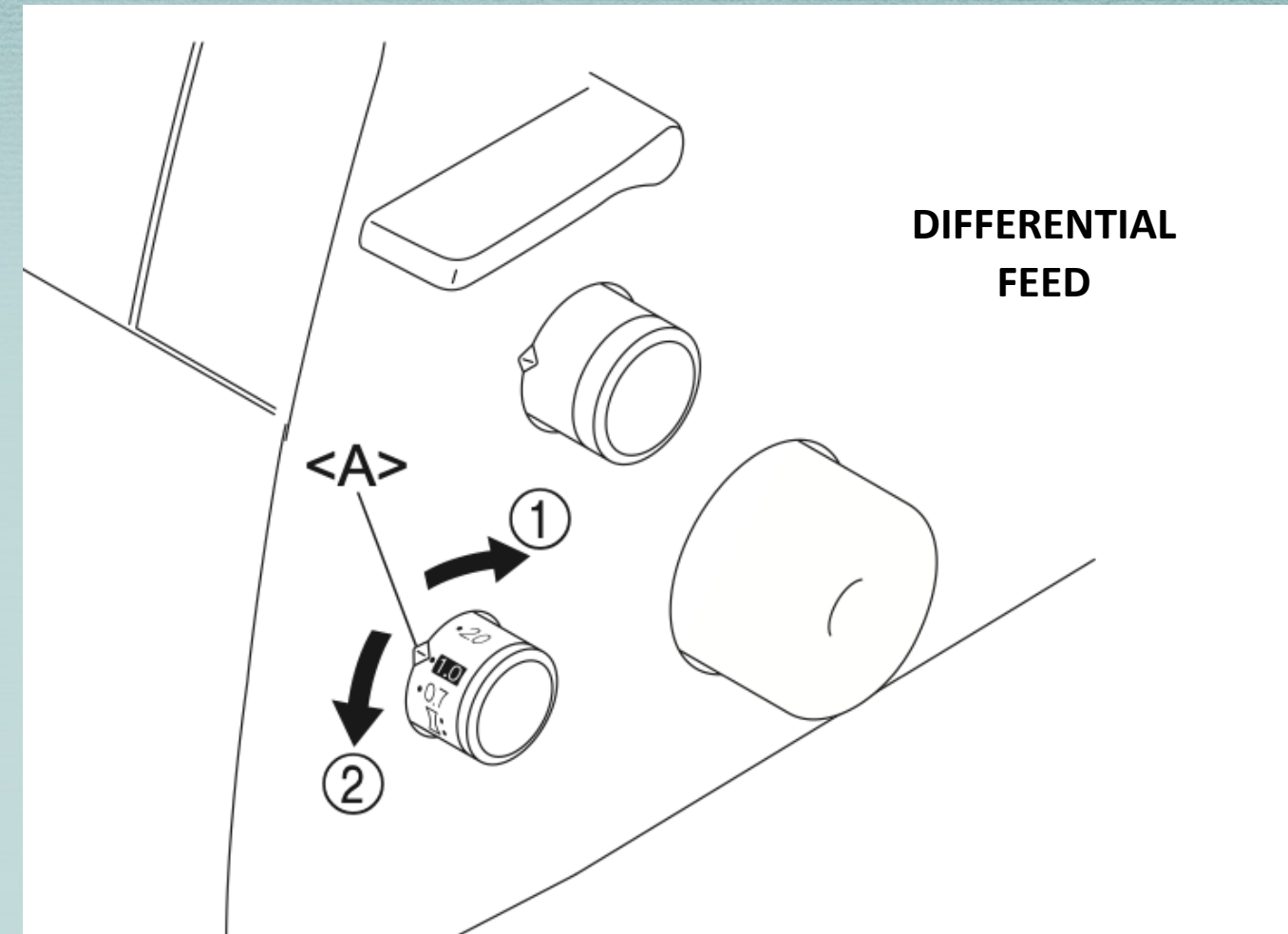
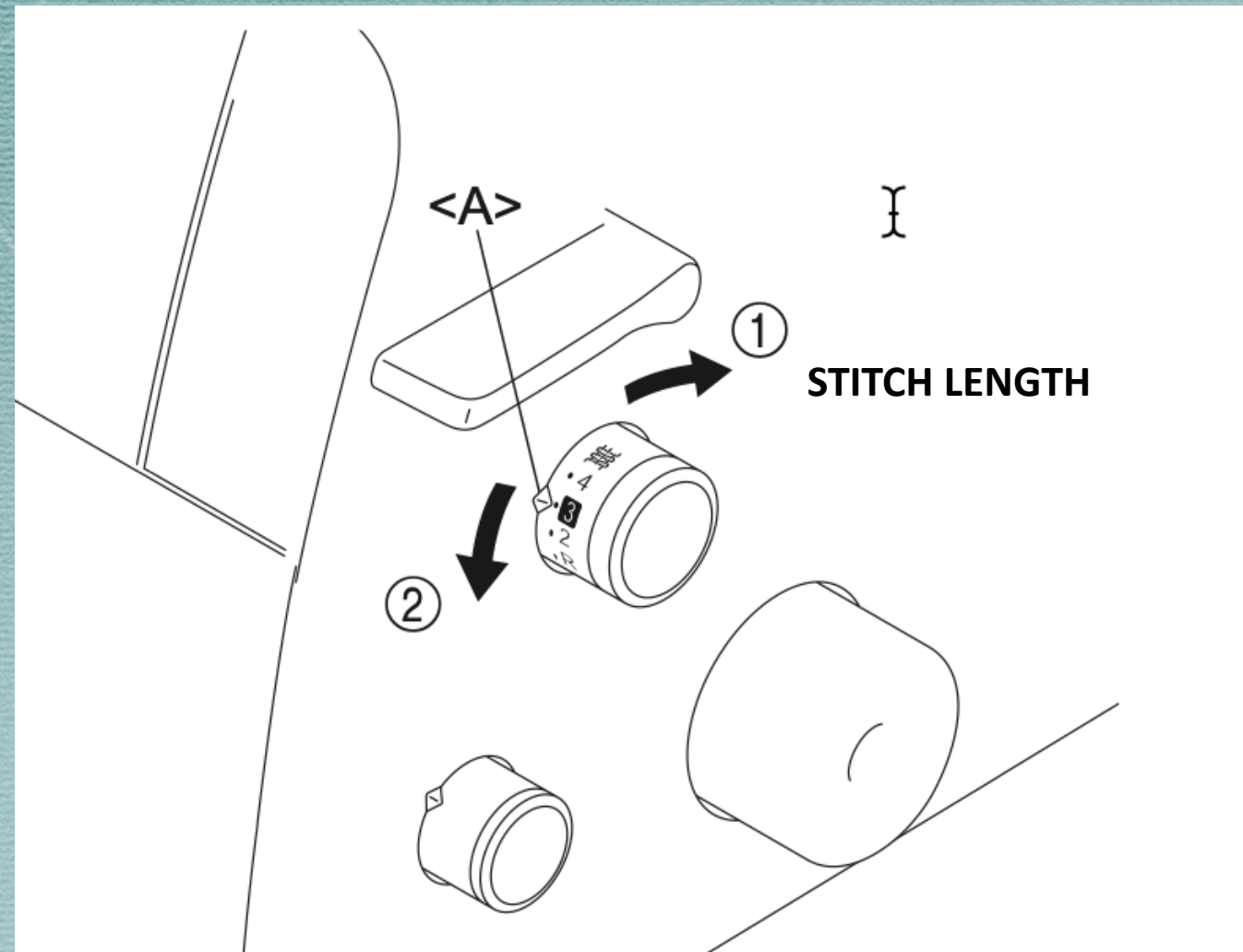
- One needle, along with upper and lower looper.
- Left needle only for wide stitch. (Approximately 1/4-inch wide).
- Right needle only for more narrow stitch.
- Great for knits - a bit more stretchy than 4-thread.
- Neatly finish raw edges of seams sewn on conventional machine.
- Combo Stitch - regular sewing machine straight stitch *along with* a three thread overlock for secure, neat seam.

And yes, it's ideal for more than seams!

- Finish raw edges in place of turning under or adding binding, such as hem and facing edges.
- Balanced 3-thread stitch looks almost identical on both upper *and* lower looper side. Looks "reversible." Ideal for decorative serging.



Important Dials & Controls



More Tips:

- REMEMBER! A serger cuts before it sews
- Changing stitch length can change tension
- Test stitches & adjust tension on long scraps
- Stitch at an even pace for best stitch quality
- Needle thread and lower looper show most if seam is pulled
- Anchor threads to avoid unraveling



Super easy method presented today:
quilting from the center outward.



You'll find more Quilting with a Serger info [HERE](#)

Q - - - - quilt

A - - - - as

Y - - - you

G - - - go

[CLICK HERE](#)

for Placemat Project Instructions

[CLICK HERE](#)

for a short video of the technique





Let's Go Sew with Joanne Banko Resources:

Reach out to Joanne via her sewing and embroidery website: www.letsgosew.com

Email: joannebanko@letsgosew.com

Joanne Banko's blog: <https://www.letsgosew.com/joanne-bankos-blog>

Videos on my YouTube channel: <https://www.youtube.com/c/LetsGoSewWithJoanneBanko>

Free Let's Go Sew Tutorials & Tip Sheets [HERE](#)