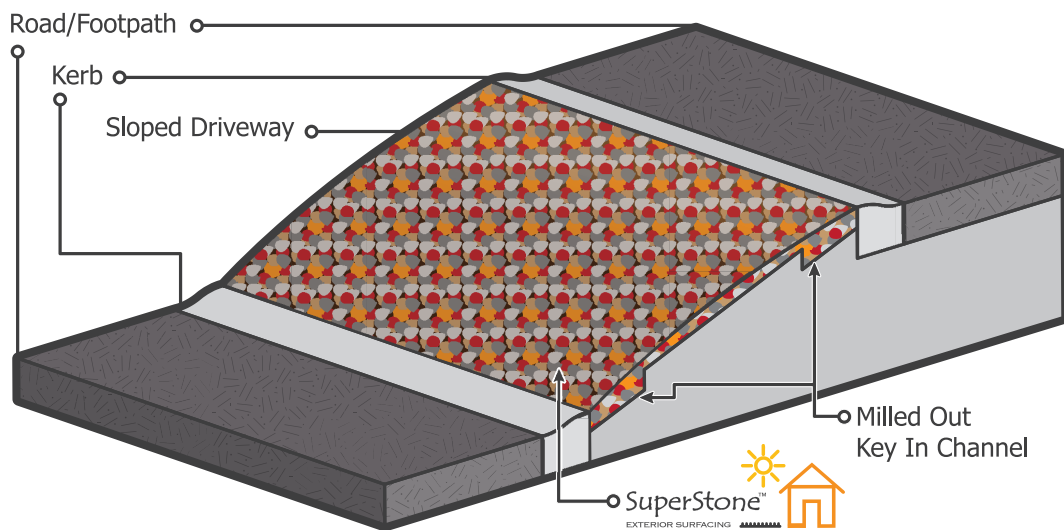
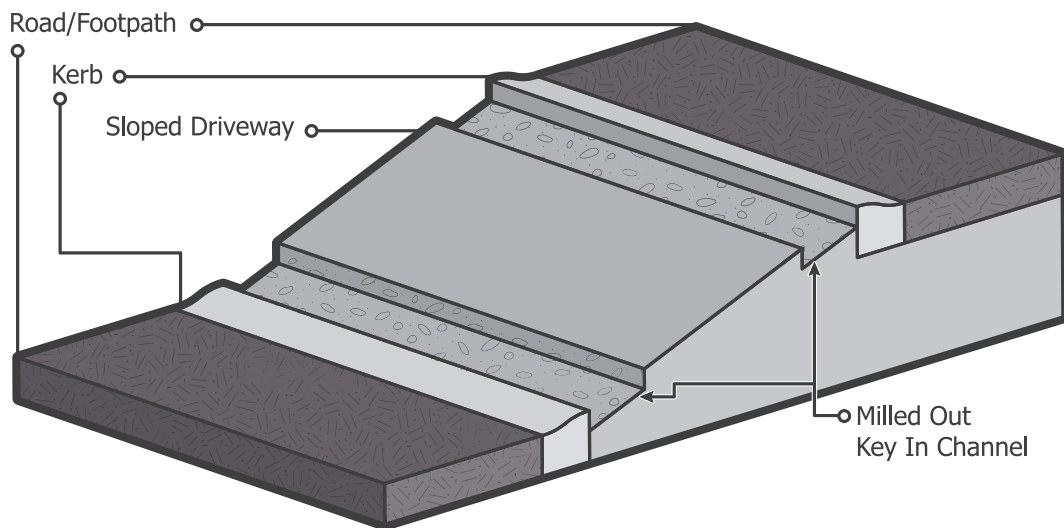
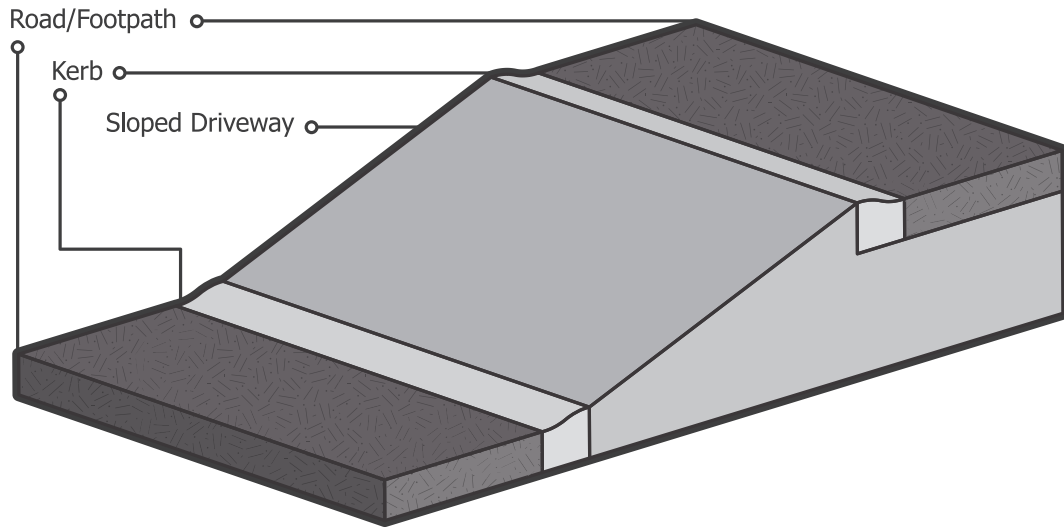


# Rockpave

## Rockpave Surface Key-in Channels



The specification detailed and illustrated above is a recommended guide only and is based on best normal practice for flexible surfacing overlays. It does not absolve the specifier from designing a construction suitable for the expected traffic and ground conditioning pertaining on a given site. The end user will require to assess whether the substrate or the wearing course are suitable for use in the intended purpose.

