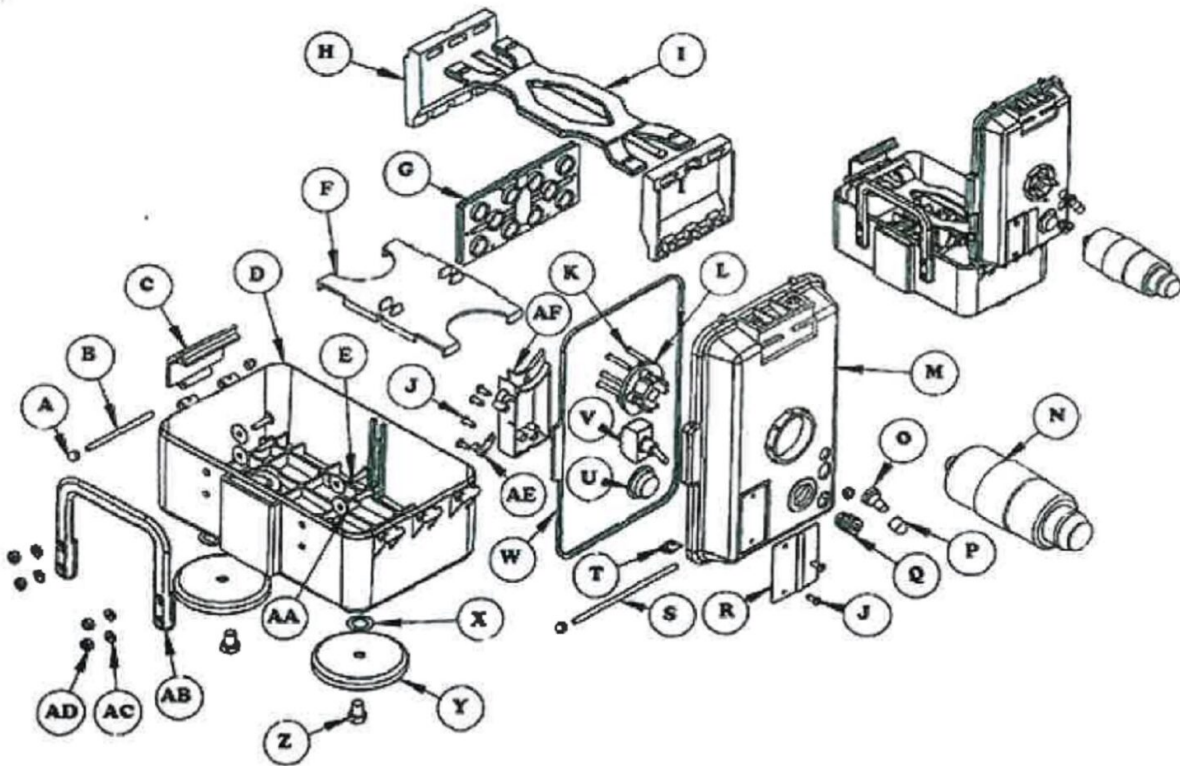




## 200 SERIES RUNNING LIGHT PARTS BREAKDOWN



LETTER	DESCRIPTION	ORDER CODE	PRICE
A	END CAPS FOR HINGES	01-01305	\$ .20
B	3" ROD FOR LATCH HINGE	01-00798	\$1.00
C	LATCH FOR BOX	01-01358	\$ .85
D	BOTTOM BOX ONLY	01-01300BNH	\$26.50
E	BOLT FOR HANDLE 10-32x3/4	01-01471	\$ .35
F	BATTERY BOTTOM PLATE	01-01351N	\$3.25
G	BATTERY CONTACT PLATE	11-00351	\$44.50
H	BATTERY SIDE PLATE	01-01352N	\$2.25
I	BATTERY TOP PLATE	01-01350N	\$2.50
J	BADGE TAG SCREW	01-01470	\$ .20
K	ADAPTER SCREW	01-00150	\$ .20
L	ADAPTER FOR BASE OF DOME ASSMBLY	01-00956	\$ .85
AH	2 PC SNAP RING SET	01-01943B	\$6.75
M	COVER W/WINDOW YELLOW	01-01301BA	\$12.25
M	COVER W/WINDOW RED	01-01301BR	\$12.25
M	COVER W/WINDOW GREEN	01-01301BG	\$12.25
M	COVER W/WINDOW WHITE	01-01301BW	\$12.25
N	PILOT LOCATION LIGHT	9823500L/ 11-0021C	\$121.00
O	MILT SPEC SWITCH COVER	01-00709	\$2.85
P	SWITCH CAP- DELISTED	USE 01-00709	\$0.00
Q	PLL CORD GRIP	02-03919	\$8.25
	18"CORD FOR PLL CONNECTION	001-00999CRD	6.25

LETTER	DESCRIPTION	ORDER CODE	PRICE
R	RED, WHITE, YELLOW, GREEN I.D. TAG FOR BARGE LIGHT	01-00719 ADD R,W,Y,G	\$1.50
S	5" ROD FOR LID HINGE	01-00797	\$1.45
T	PLASTIC WIRE HOLDER	01-01475	\$1.25
V	TOGGLE SWITCH	01-00710	\$13.90
W	BARGE LID GASKET	01-01357	\$2.60
Y	MAGNET -70LB PULL	01-00622	\$10.20
Z	HEX BOLT FOR MAGNET	01-00144	\$1.20
AA	#8 FENDER WASHER FOR HANDLE	01-01722	\$ .30
AB	HANDLE- NO HARDWARE	01-01419	\$4.25
AK	HANDLE COMPLETE WITH ALL HARDWARE INCLUDED AA, AB, AC, AD AND E	11-00590	\$7.00
AC	WASHER FOR HANDLE	01-00322	\$ .20
AD	10/32' HANDLE LOCK NUT	01-01473	\$ .35
AE	LIGHT KEEPER	01-01388	\$ .20
AG	AMBER DOME ASSEMBLY	11-00600L	\$139.60
AG	RED DOME ASSEMBLY	11-00601L	\$139.60
AG	CLEAR DOME ASSEMBLY	11-00603L	\$139.60
AG	GREEN DOME ASSEMBLY	11-00604L	\$139.60
AG	ALL ROUND WHITE DOME	11-00608L	\$139.60
AF	6V STEADY CIRCUIT	11-00306C/WP	\$34.25
AF	6V FLASHING CIRCUIT	0100306CPLLWP	\$52.25
U	DISCONTINUED SEE PART M		