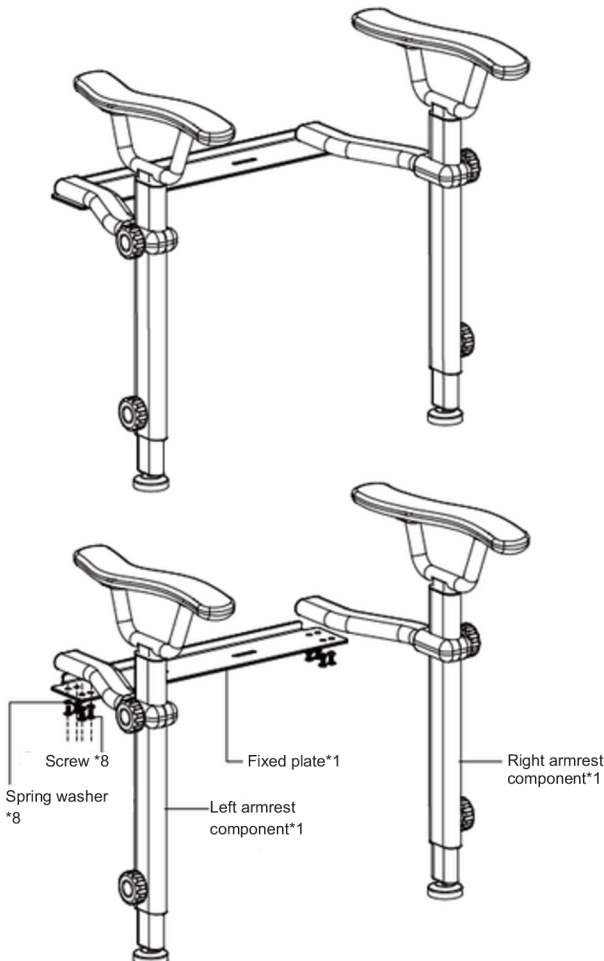


# INSTALLATION INSTRUCTION Toilet Support Arms




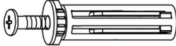


## NOTE

- Please read the instructions carefully to understand our toilet support arms and prepare the necessary tools for installation in advance. Correctly install the toilet arms according to the instructions.
- Please keep the instructions available after reading it carefully.

## Toilet Support Arms and Accessory set



### Parts

	Screw x8
	Spring pad x8
	Shim x2
	Integrated Screw Kit x2
	Decorative cover x4
	Instructions x1

### Installation Tools Needed



Screwdriver

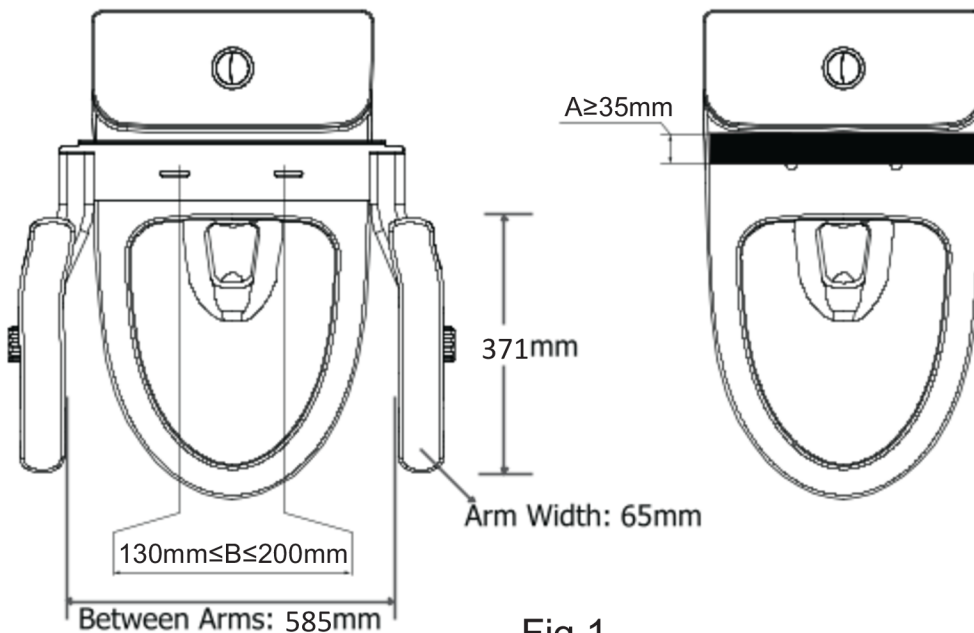


Soft wet cloth

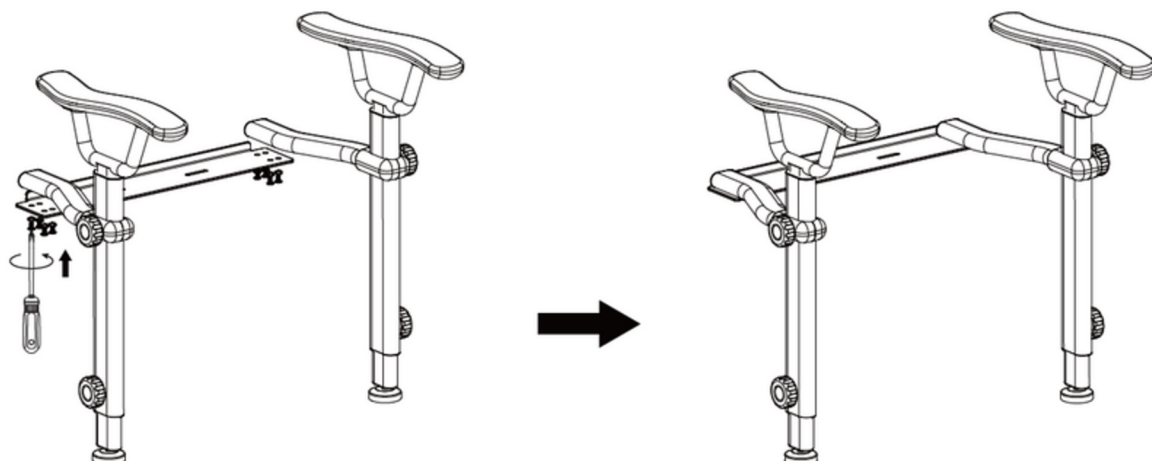
## DIMENSIONS

As shown in Figure 1, Toilet Seat applicable to the arm rest must satisfy the requirements below:

1. To prevent interference between the arm rest end and the toilet tank, the area of  $A \geq 35\text{mm}$  shall be flat.
2. Distance between the installation holes in the toilet seat:  $130\text{mm} \leq B \leq 200\text{mm}$ .



## INSTALLATION



1. Assemble the arms. Fix and tighten the screws to assemble both left-hand and right-hand arms to the fixing plate. First screw the metal base plate to each metal arm bracket. Then screw the plastic cover in place with the self tapping screws.

- The rubber seals on the base plate face downwards.

# Toilet Support Arms – Toilet Seat Types

## OPTION A: TOP MOUNT

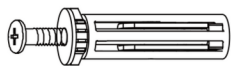
The fasteners supplied with the arms suit modern clip on quick release toilet seat brackets and all concealed toilet pans. If your seat has the metal covers or similar like below then our arms will fit with the supplied fasteners.



OPTION A: TOP MOUNT INSTALLATION

Choose the locking installation method or the locking installation method according to the actual toilet style:

### *A:Parts for top lock*

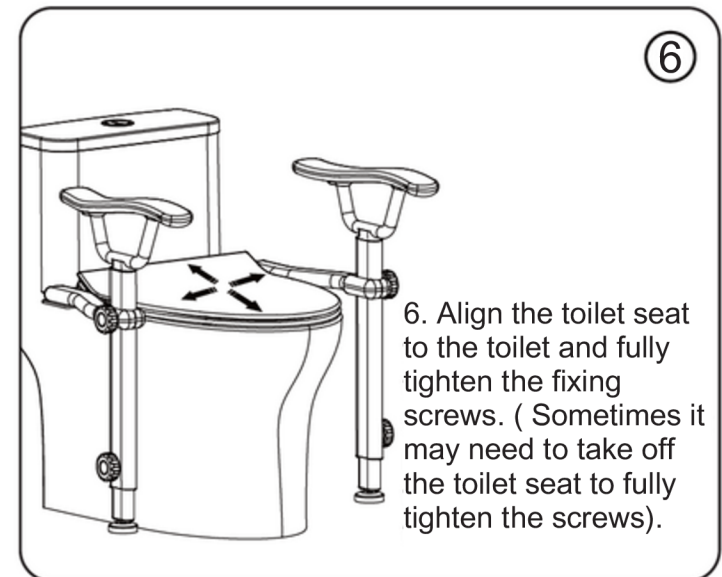
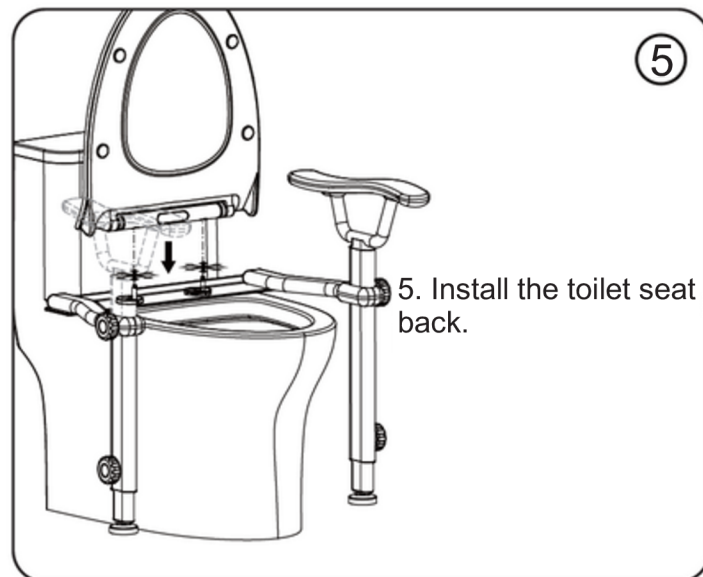
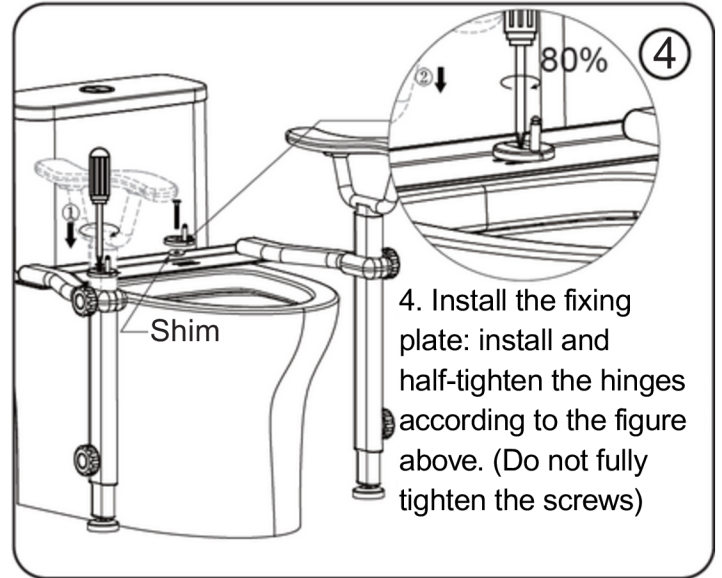
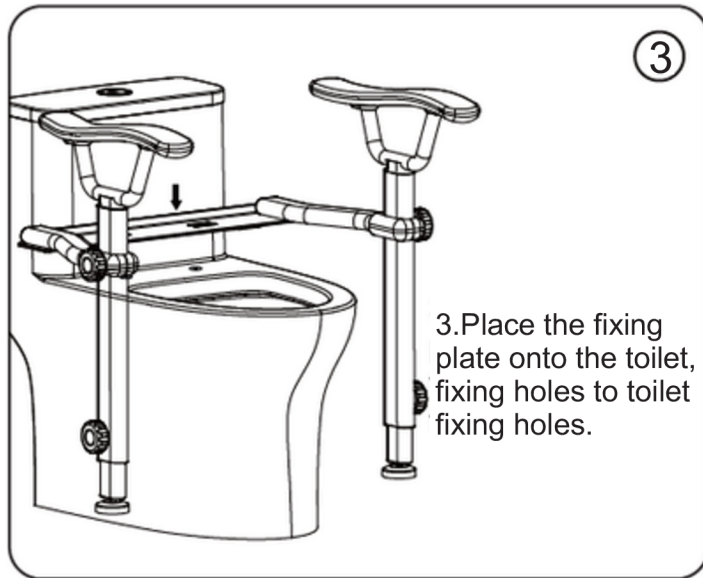
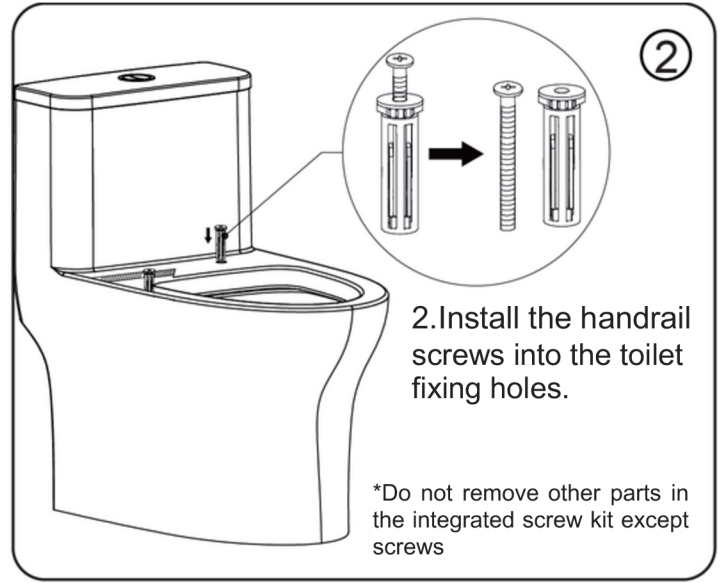
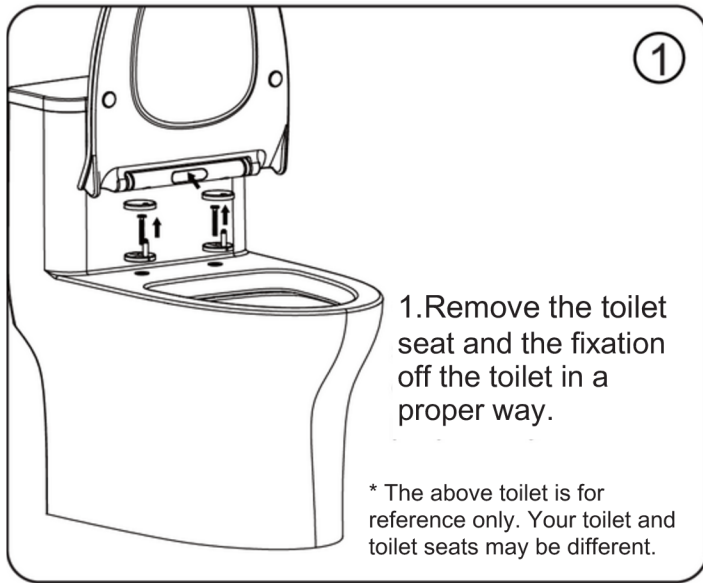


Integrated Screw Kit x2

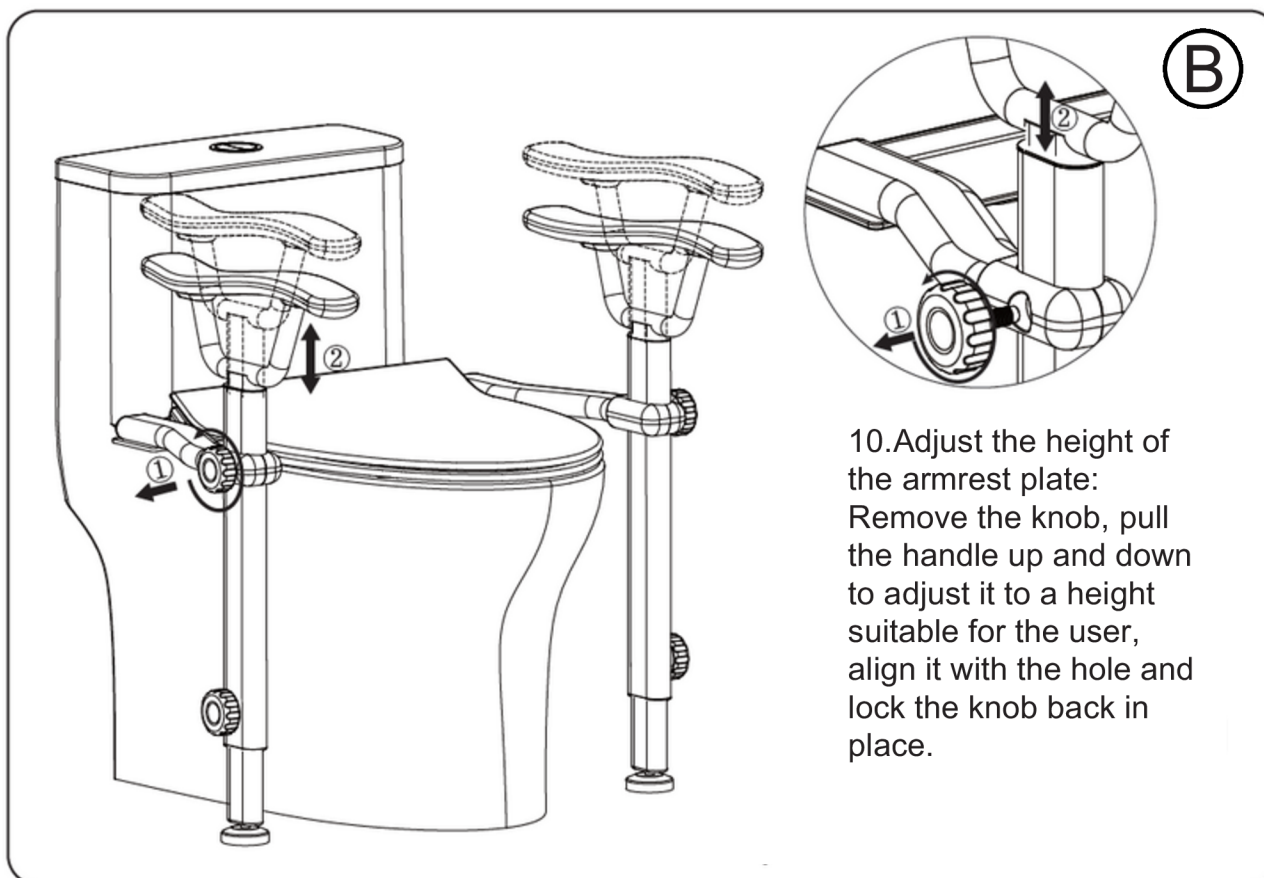
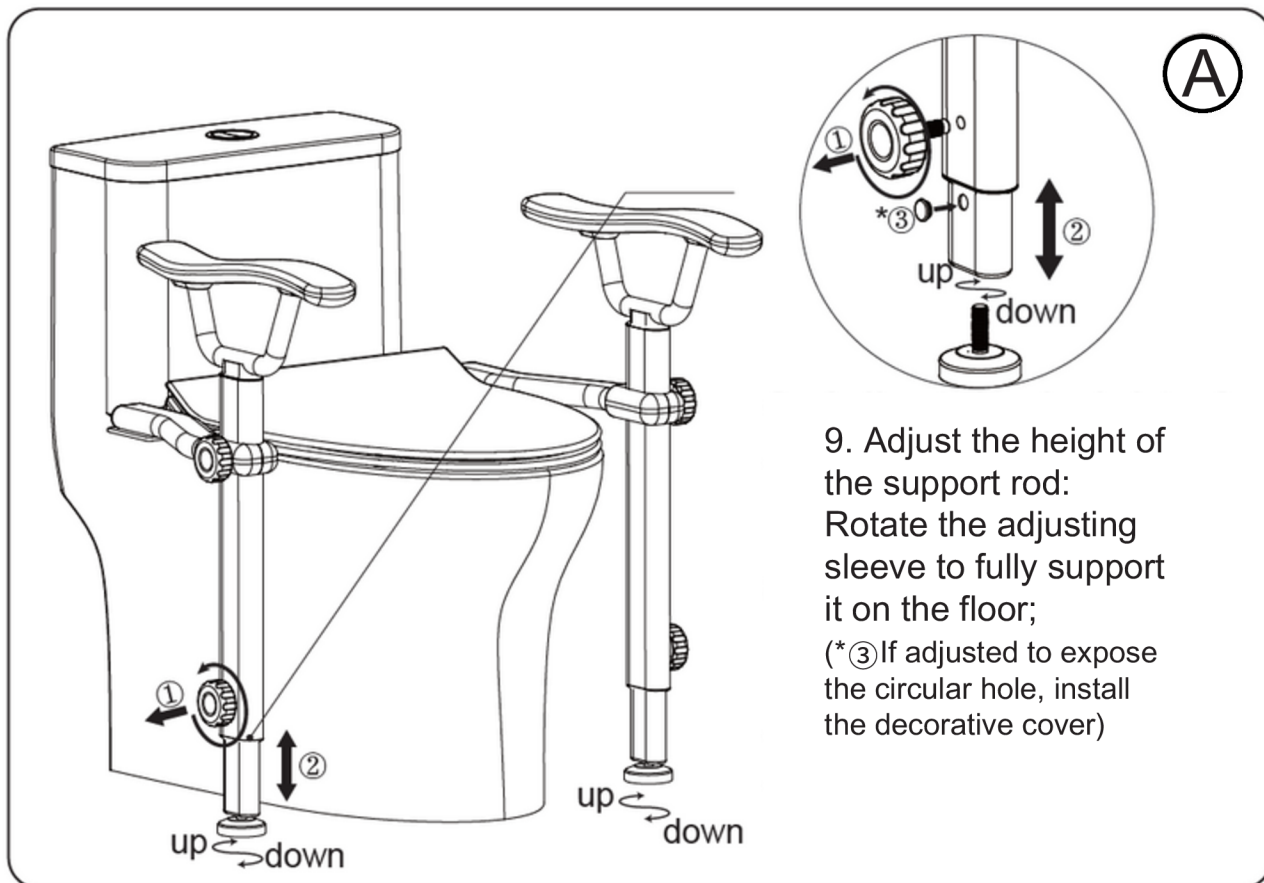


Shim x2

# OPTION A: TOP MOUNT INSTALLATION



Adjust the armrest to the appropriate state according to the actual situation



# Toilet Support Arms – Toilet Seat Types

## OPTION B: BOTTOM LOCK

For some toilet seats the toggle fasteners won't allow the plastic toilet seat fasteners to reattach. For these toilets use the bottom mount screw pack.







The bottom mount fasteners allow a bolt and washer to go through both the seat and toilet seat to clamp the seat in place



OPTION B: BOTTOM MOUNT INSTALLATION FOR THIS SEAT TYPE

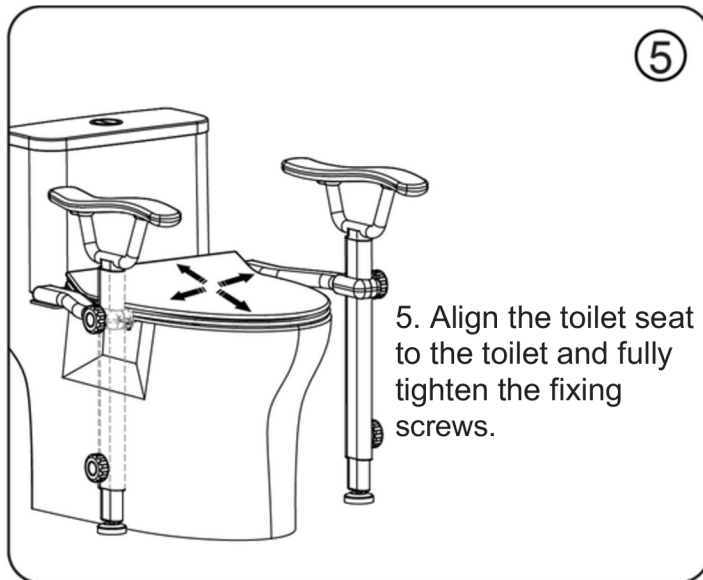
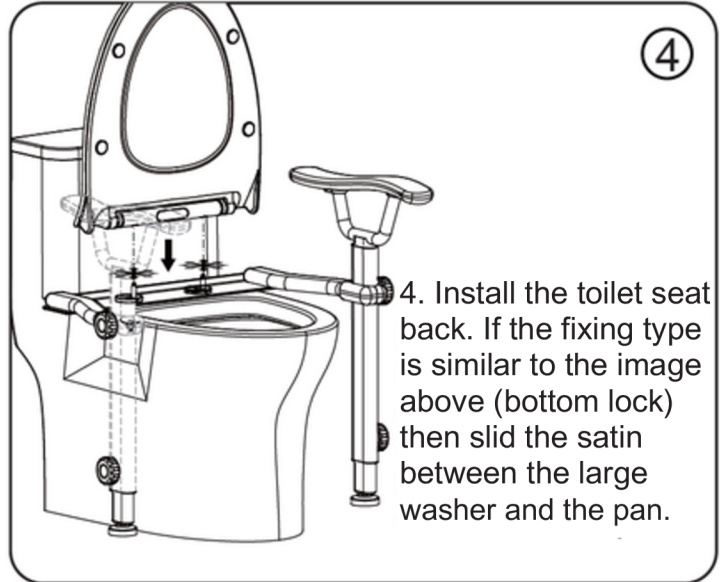
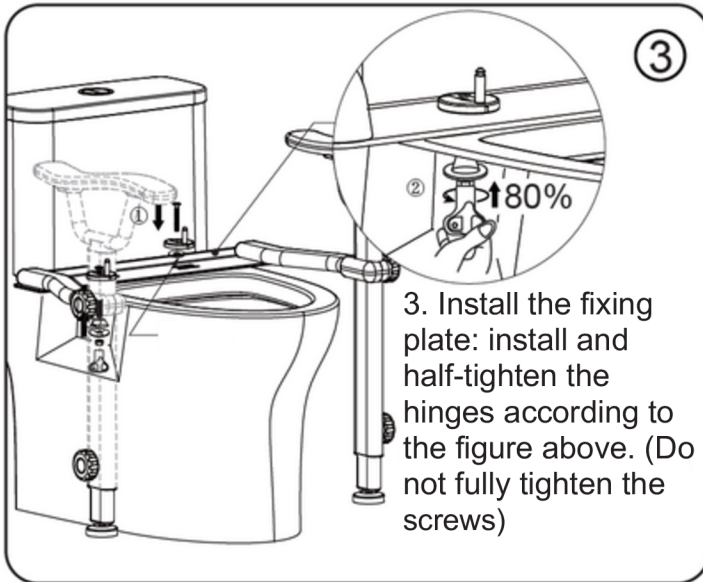
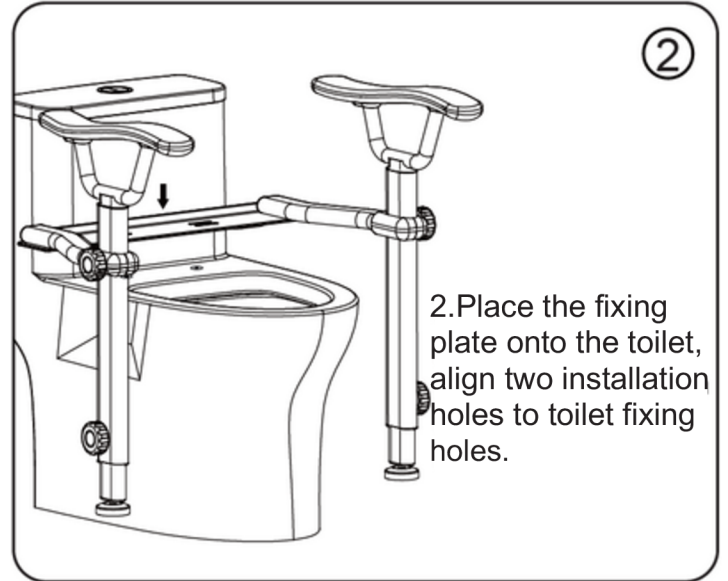
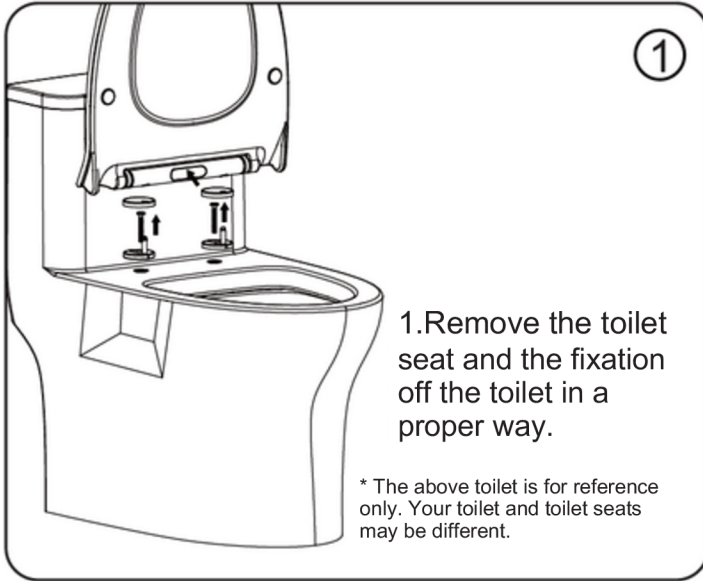
Choose the locking installation method or the locking installation method according to the actual toilet style:

### *B:Parts for bottom lock*

	Screw x2
	Shim x2
	Tapered rubber pad x2
	Rubber gasket x2
	Hexagon nut x2
	Nut handle x1

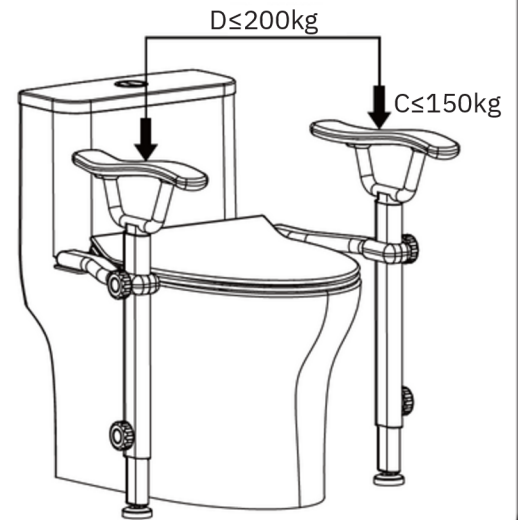


# OPTION B: BOTTOM LOCK INSTALLATION



## NOTES

- To prevent the lock nut from being pulled out or loosened during use of the arm rest, try to secure the hinge base fixation kit as tightly as possible without causing the nut to be stripped.
- To avoid the Toilet Seat from falling to one side, or being tilted up significantly, do not forcefully shake or put excessive pressure ( $C \leq 150\text{kg}$ ) onto one side of the arm rest after the arm rest is correctly installed.
- To prevent damage to the lifting handrails, the dual handrails simultaneously bear  $D \leq 200\text{kg}$
- The figures above are for reference only.



## CARE AND CLEANING

- Use a mild detergent such as liquid dishwashing soap and warm water for cleaning. Do not use abrasive or high density cleaners that may scratch or dull the surface.
- Carefully read the cleaner product label to ensure the cleaner is safe for use on the material.
- Always test your cleaning solution on an inconspicuous area before applying to the entire surface.
- Wipe surfaces clean and rinse completely with water immediately after cleaner application. Rinse and dry any overspray that lands on nearby surfaces.
- Use a soft, dampened sponge or cloth. Never use an abrasive material such as a brush or scouring pad to clean surfaces.

