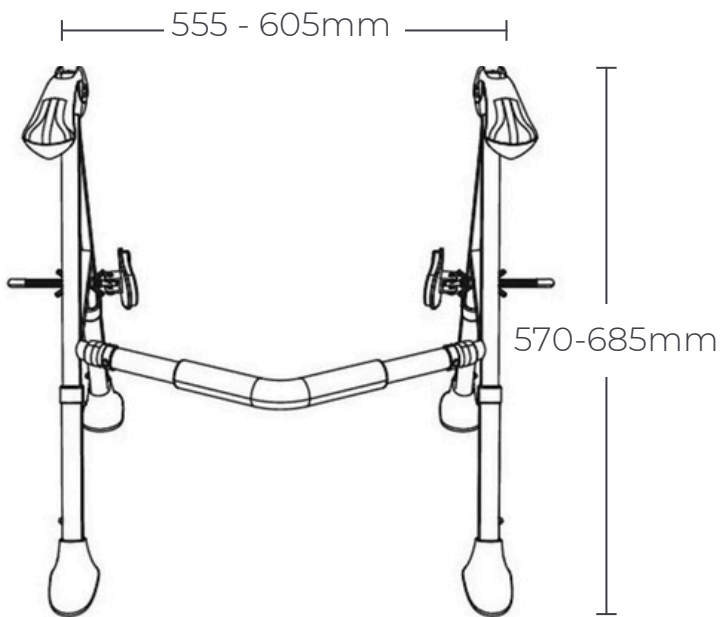
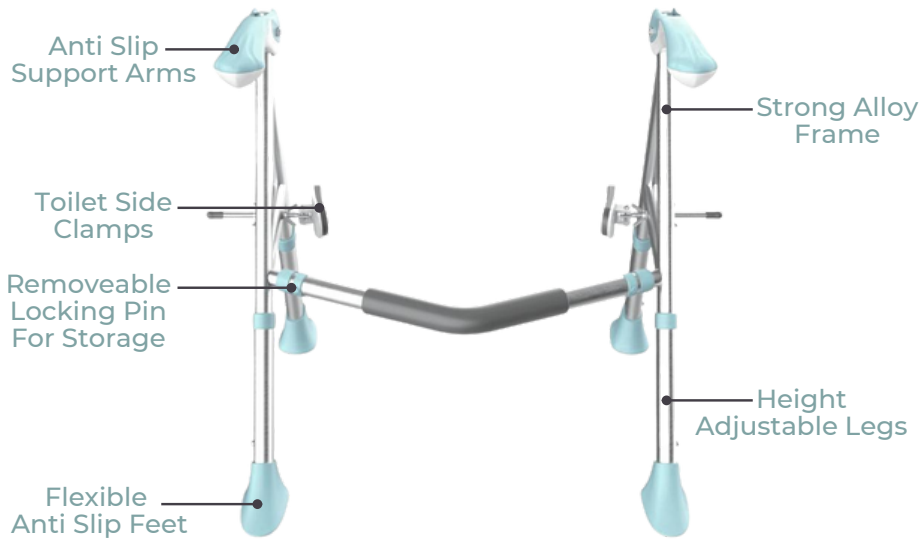


# Avail Toilet Support Fold Up Frame

Aqua/Brushed - S03F1



**Product weight 2.5kg**

Parts	
	Armrest Frame x2
	Adjustable Legs x4
	Fixed Clamps x2
	Locking Pins x2
	Crossbeam Rod x1

Note: This requires some basic assembly to attach the toilet clamps cross beam.

## AVAIL QUALITY DESIGNS

- Folds up suitable for storage or transport
- Non slip feet
- Adjustable height legs
- Fold up arm rests
- 150kg Capacity
- Secures tight onto the toilet pan
- Suitable for all toilets
- Coloured arms and feet for easier visual recognition



WWW.AVAIL.DESIGN



INFO@AVAIL.DESIGN



1300 945 720

# Avail Toilet Support Fold Up Frame Assembly

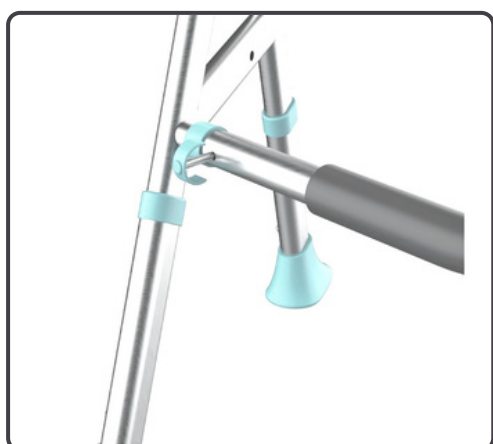
Aqua/Brushed - S03F1



**1** There are four adjustable legs in total, with two long legs installed on the front bracket and two short legs installed on the rear bracket.



**2** Insert the left and right frames into the tubes of the crossbeam.



**3** Align the holes of the crossbeam to the left and right, and insert the locking pins separately.



**4** Remove the rubber cap and butterfly nut, and insert the clamp into the hole.



**5** Adjust the nut according to the width of the toilet to clamp the equipment tightly onto the toilet.

# Avail Toilet Support Fold Up Frame

Aqua/Brushed - S03F1



## Product Information:

This product comes with a 10 year manufacturers warranty. For any service or repair enquiries contact [info@avail.design](mailto:info@avail.design) 1300 945 720 or our online form: [avail.design/pages/contact](http://avail.design/pages/contact). The product ID number is located on the inner front left leg.

## Intended Use Instructions:

The intended operator for assembling the frame can be either the occupant or assistant

## Arm Support Adjustment:

The armrest can be lifted up to vertical position to allow for easier access when transferring on and off the toilet, also for cleaning and transport, they do not lock into place, the chair arm supports can only support the user when they are positioned horizontally.

## Leg Height Adjustment:

When the legs are fully extended they increase the footprint of the chair, please check the dimensions to ensure they are suitable for your space. The leg height can be adjusted by pushing and holding in the spring loaded buttons on the legs then simultaneously extending the leg in or out. Adjust 1 leg at a time before attaching the clamps to the toilet.

## Maintenance:

Regular cleaning is required to reduce the chance of foreign material building up which can encourage mould and bacteria to grow. The chair has been approved to international standards to ensure bacteria does not grow on the materials however regularly cleaning is still required.

This product does not require servicing and is intended to last at least 10 years before requiring replacement. If at any point you feel the product is not performing correctly please contact Avail and supply photos if possible. Regularly check every month that the clamps are secure onto the toilet, retighten when required.

If you notice any damage to the product please discontinue use and contact Avail.

## Cleaning Method:

Warm soapy water or bathroom cleaning spray is recommended. Use a scrubbing brush around the edges, hinges, feet to ensure material doesn't accumulate. Automatic washing machines may be suitable. Bleach may be suitable however please be aware this may discolour the arms.

## Warnings:

Chair legs are a potential trip hazard. Ensure you have adequate circulation space around the product to reduce the chance of tripping.

The arm supports have potential pinch points when lowering them to the horizontal position, ensure your hands and body parts are away from the hinge area when lowering the arms, preferably hold on at the end furthest from the hinge.

Ensure all four legs are even height and are on the floor before sitting. Ensure hands are holding onto both handles when sitting/standing to avoid the chair tipping.

