

SPARE PARTS LIST

f o r

Infrared oil heater

Model

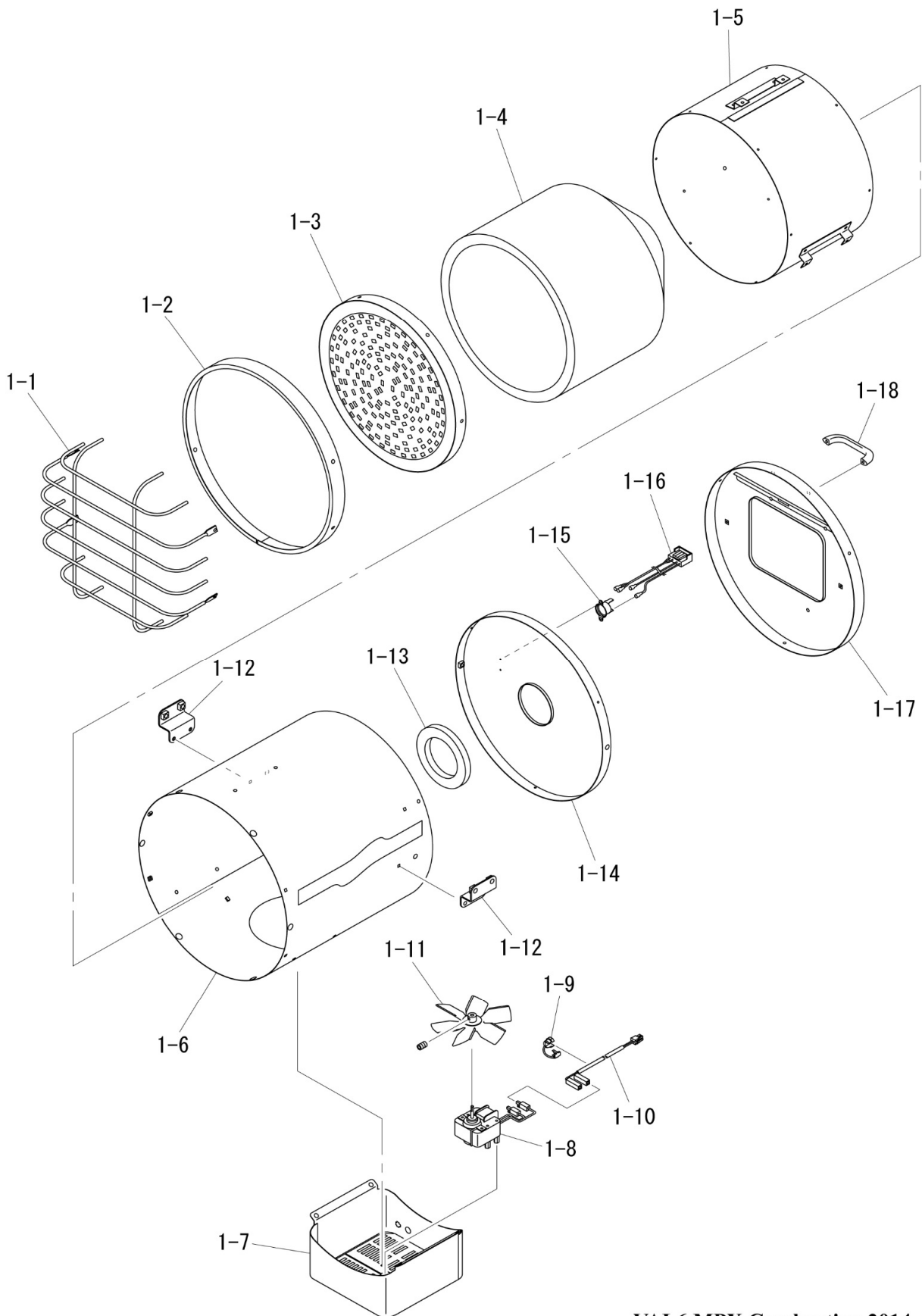
VAL6

Type

◆ MPX5 for 120V 60Hz

March 2025

Shizuoka Seiki Co., Ltd.



VAL6 MPX Combustion 2014

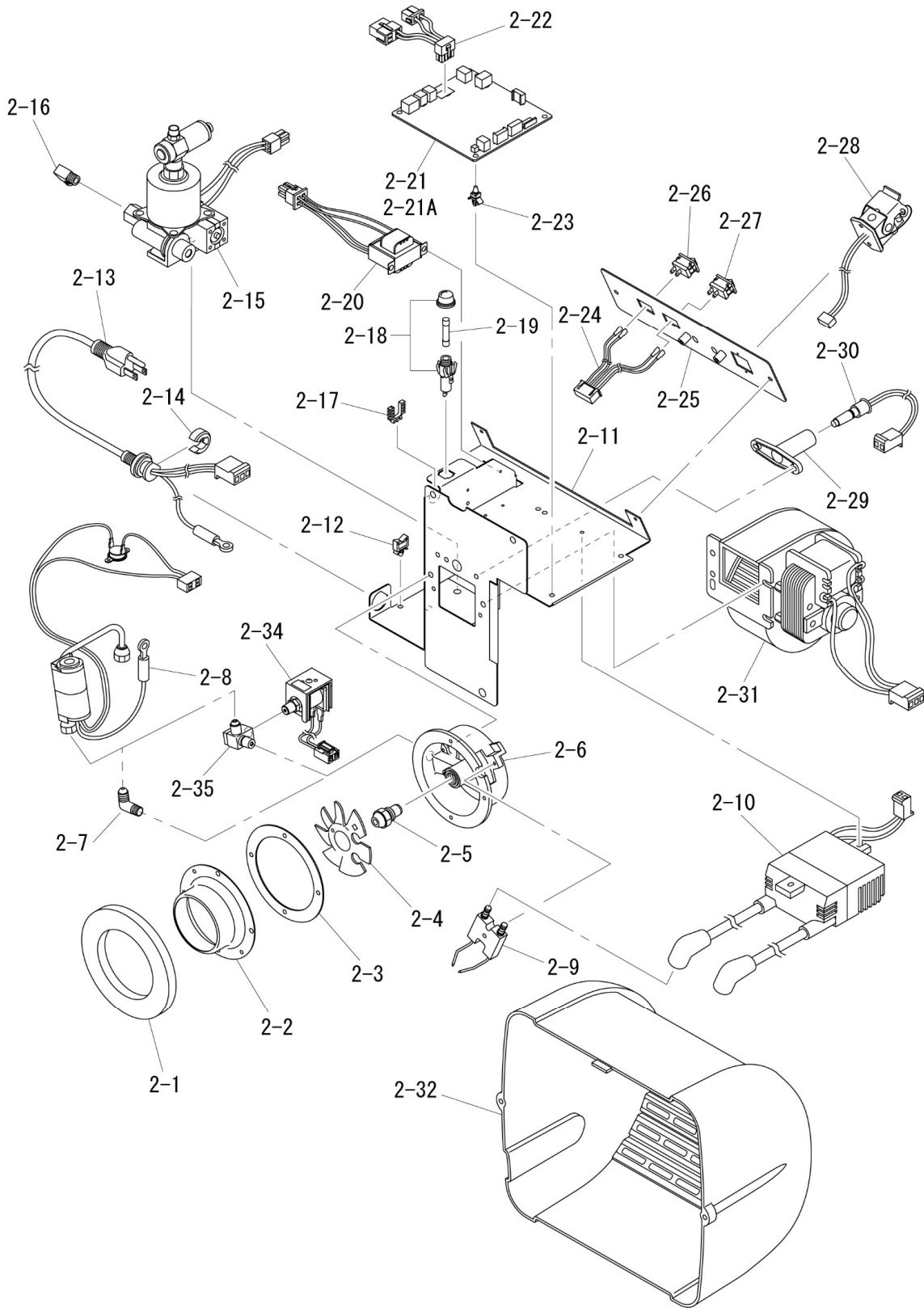
Shizuoka Seiki Co.,Ltd.

Revised: March 2025

□-mark means that the parts supply period is over and there are limited numbers of stock.

| Part No. | PART NAME < COMBUSTION > | CODE NO. | JSO NO | Q'TY /SET | MPX5 | REMARKS |
|----------|-----------------------------|-------------|---------------|-----------|------|--------------------------------------|
| 1-1 | Protector Assembly | 50346201012 | VAL-MPX-1-01 | 1 | ● | |
| | | 50346201018 | VAL-MPX-1-01A | 1 | ● | from 2018 V-01 |
| 1-2 | Drum Front Ring | 50346201008 | VAL-MPX-1-02 | 1 | ● | |
| 1-3 | Radiation Disk | 50346201001 | VAL-MPX-1-03 | 1 | ● | |
| 1-4 | Inner Cylinder | 50346201002 | VAL-MPX-1-04 | 1 | ● | |
| 1-5 | Outer Cylinder | 50346101006 | VAL-MPX-1-05 | 1 | ● | |
| 1-6 | Drum | 50346201006 | | 1 | N/A | changed to 50346 180001 |
| | | 50346180001 | VAL-MPX-1-06 | 1 | ● | |
| 1-7 | Drum Base | 50346101005 | VAL-MPX-1-07 | 1 | ● | |
| 1-8 | Blower Motor | 50317201010 | VAL-DS-R-16A | 1 | ● | |
| 1-9 | Motor Cord Stopper | 50320202018 | VAL-DS-R-19 | 1 | ● | |
| 1-10 | Relay Cable | 50317203019 | VAL-DS-R-17A | 1 | ● | |
| 1-11 | Blower Fan | 50310201020 | VAL-DS-R-15 | 1 | ● | |
| 1-12 | Drum Bracket | 50346201009 | VAL-MPX-1-12 | 2 | ● | |
| 1-13 | Burner Draft Packing | 50317201013 | VAL-DS-R-11B | 1 | ● | |
| 1-14 | Insulator | 50346201005 | VAL-MPX-1-14 | 1 | ● | |
| 1-15 | Overheat Protection | 50255202018 | VAL-MPX-1-15 | 1 | ● | |
| 1-16 | Relay For Overheat/Tip-Over | 50346201013 | VAL-MPX-1-16 | 1 | ● | |
| 1-17 | Drum End | 50346201007 | VAL-MPX-1-17 | 1 | N/A | till 2012, replace with 50346 101008 |
| | | 50346101008 | VAL-MPX-1-17A | 1 | ● | from 2013 C-01 |
| 1-18 | Grip | 50509201027 | VAL-MPX-1-18 | 1 | ● | |

250374

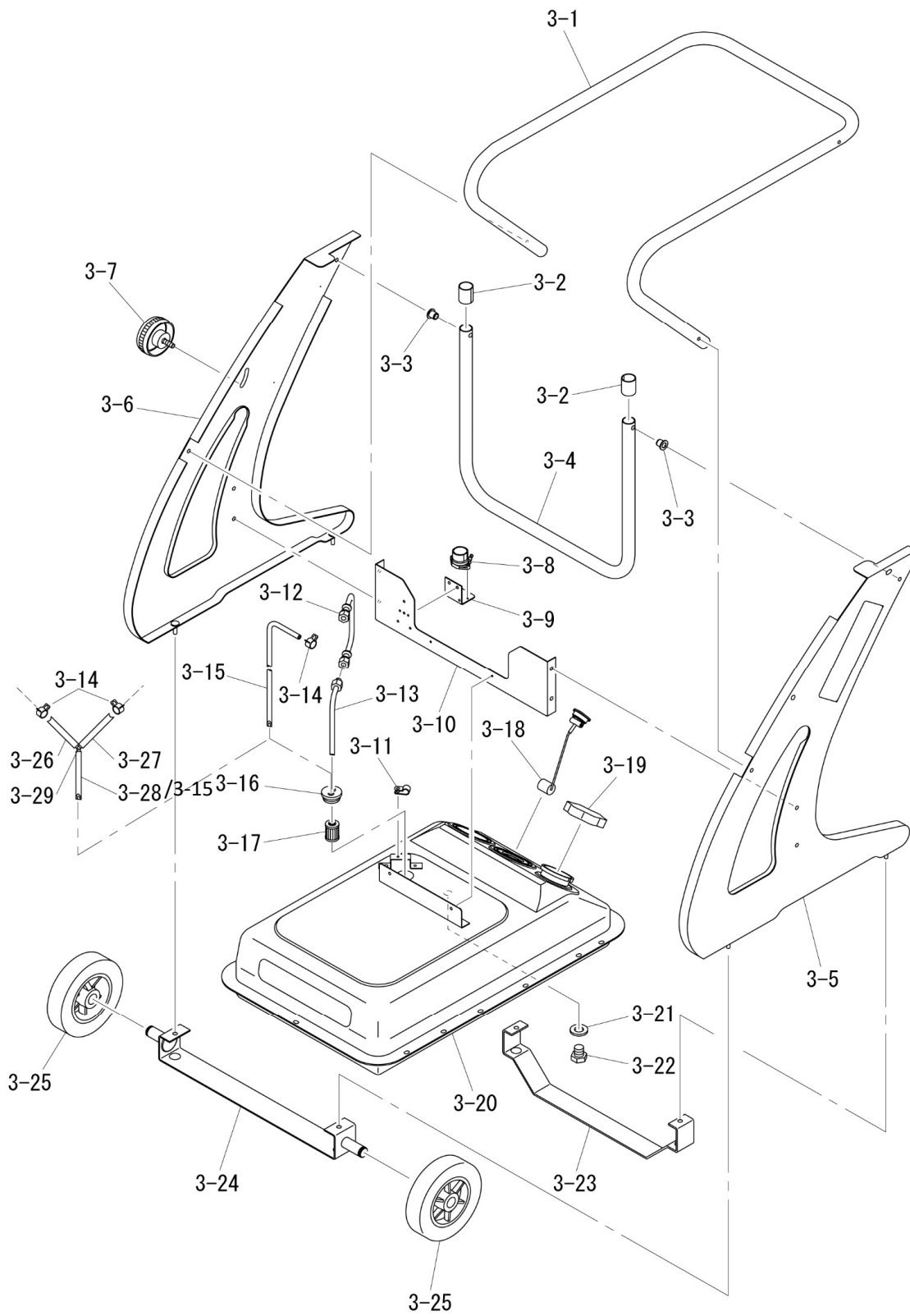


VAL6 MPX Burner 2014

□-mark means that the parts supply period is over and there are limited numbers of stock.

| Part No. | PART NAME <BURNER> | CODE NO. | JSO NO | Q'TY /SET | MPX5 | REMARKS |
|----------|---------------------------------|-------------|---------------|-----------|------|---|
| 2-1 | Burner Packing | 50319202028 | VAL-DS-B-10C | 1 | ● | |
| 2-2 | Burner Cone | 50300201017 | VAL-KSL-B-01 | 1 | ● | |
| 2-3 | Diffuser Packing | 50298201020 | VAL-KSL-B-03 | 1 | ● | |
| 2-4 | Whirl Vane | 50319202027 | VAL-DS-B-06A | 1 | ● | |
| 2-5 | Nozzle | 50319202013 | VAL-DS-B-05A | 1 | ● | |
| 2-6 | Diffuser | 50262202001 | VAL-DS-B-03 | 1 | ● | |
| 2-7 | Pump Nipple | 50204201025 | VAL-DS-B-04 | 1 | □ | till 2012, change to 2-35 from 2013 |
| 2-8 | Fuel Outlet Line with preheater | 50346102007 | VAL-MPX-2-08 | 1 | ● | |
| 2-9 | Electrode | 50319202017 | VAL-DS-B-07B | 1 | ● | |
| 2-10 | Ignition Transformer | 50317202016 | VAL-DS-B-21A | 1 | □ | till 2018 |
| | | 50346202023 | VAL-KSL-B-27A | 1 | ● | from 2019 |
| 2-11 | Burner Base | 50346102002 | VAL-MPX-2-11 | 1 | ● | |
| 2-12 | Cord Clip | 50310201025 | VAL-DS-R-14 | 1 | ● | |
| 2-13 | Power Cable with cable stopper | 50346202009 | VAL-MPX-2-13 | 1 | ● | with 2-14 (50205 201019) |
| 2-14 | Cable Stopper | 50205201019 | VAL-MPX-2-14 | 1 | ● | |
| 2-15 | Fuel Pump with air vent valve | 50346202005 | VAL-MPX-2-15 | 1 | ● | |
| 2-16 | Hose Nipple | 50304202030 | VAL-MPX-2-16 | 1 | ● | |
| 2-17 | Grommet | 50263202010 | VAL-DS-B-02 | 1 | N/A | till 2012, replace with 50346 202018 |
| | | 50346202018 | VAL-MPX-2-17A | 1 | ● | from 2013 C-01 |
| 2-18 | Fuse Holder | 50300201024 | VAL-KSL-B-18A | 1 | ● | |
| 2-19 | Fuse (3A) | 50300201026 | VAL-KSL-B-17A | 1 | ● | |
| 2-20 | Step Down Transformer | 50346202008 | VAL-DS-B-15A | 1 | ● | |
| 2-21 | Burner Control | 50330201020 | VAL-KSL-B-25E | 1 | N/A | till 2012 |
| 2-21A | | 50346202019 | VAL-MPX-2-21A | 1 | ● | from 2013 C-01 |
| 2-22 | Relay For Fan/Preheater | 50346202017 | VAL-MPX-2-22 | 1 | ● | |
| 2-23 | Control Support | 50229201037 | VAL-KSL-B-30 | 4 | ● | |
| 2-24 | Switch Cable | 50346202010 | VAL-MPX-2-24 | 1 | ● | |
| 2-25 | Face Plate | 50346102006 | VAL-MPX-2-25 | 1 | ● | |
| 2-26 | Change-Over Switch | 50254204007 | VAL-MPX-2-26 | 1 | ● | |
| 2-27 | Operation Switch | 50254204006 | VAL-KSL-B-29B | 1 | ● | |
| 2-28 | External Thermostat Connector | 50346102009 | VAL-MPX-2-28 | 1 | ● | |
| 2-29 | Flame Monitor Holder | 50262202029 | VAL-KSL-B-47 | 1 | ● | |
| 2-30 | Flame Monitor Complete | 50335101009 | VAL-EPX-2-22 | 1 | ● | w/o flame holder |
| 2-31 | Fan Motor | 50346202007 | VAL-MPX-2-31 | 1 | ● | till 2017/2018 |
| | | 50346202022 | VAL-MPX-2-31A | 1 | ● | from 2018 V-01 |
| 2-32 | Burner Cover | 50346102004 | VAL-MPX-2-32 | 1 | ● | |
| | | 50348102003 | | 1 | N/A | Change to 50346102004 |
| 2-33 | Repair Set | 50346100001 | VAL-DS-B-32A | 1 | ● | 50201 203056 Nozzle wrench *1 50319 202013 Nozzle *1 50317 203004 Filter element *1 |
| 2-34 | Solenoid Valve | 50346202020 | VAL-DS-B-35 | 1 | ● | from 2013 C-01 |
| 2-35 | Three-Way Joint | 50347202018 | VAL-MPX-2-35 | 1 | ● | from 2013 C-01 |
| *option | Short plug | 50306204001 | VAL-MPX-2-36 | 1 | ● | from 2014 B-01 |

※not shown in drawing



VAL6 MPX Fuel tank 2014

□-mark means that the parts supply period is over and there are limited numbers of stock.

| Part No. | PART NAME <FUEL TANK> | CODE NO. | JSO NO | QTY /SET | MPX5 | REMARKS |
|----------|--------------------------|-------------|---------------|----------|------|--|
| 3-1 | Frame | 50346203005 | VAL-MPX-3-1 | 1 | ● | |
| 3-2 | Protective Packing | 50346203013 | VAL-MPX-3-2 | 2 | ● | |
| 3-3 | Spacer | 50346200002 | VAL-MPX-3-3 | 2 | ● | |
| 3-4 | Handle | 50346103009 | VAL-MPX-3-4 | 1 | ● | with 3-2 (50346203013) |
| 3-5 | Side Panel(L) | 50346103007 | VAL-MPX-3-5 | 1 | ● | |
| 3-6 | Side Panel(R) | 50346103008 | VAL-MPX-3-6 | 1 | ● | |
| 3-7 | Knob Bolt | 50229202074 | VAL-KSL-T-07 | 1 | ● | |
| 3-8 | Tip-Over Switch | 50298202015 | VAL-KSL-B-44 | 1 | ● | |
| 3-9 | Tip-Over Switch Bracket | 50346203009 | VAL-MPX-3-9 | 1 | ● | |
| 3-10 | Reinforcing Base | 50346203001 | VAL-MPX-3-10 | 1 | ● | |
| 3-11 | Power Cable Band | 50320201038 | VAL-MPX-3-11 | 1 | ● | |
| 3-12 | Fuel Hose | 50254201006 | VAL-MPX-3-12 | 1 | ● | |
| 3-13 | Suction Pipe | 50268103004 | VAL-MPX-3-13 | 1 | ● | |
| 3-14 | Hose Clamp | 50319202016 | VAL-MPX-3-14 | 1 | ● | till 2012 |
| | | | VAL-KSL-B-50 | 2 | ● | from 2013 C-01 |
| 3-15 | Return Line | 50346203010 | VAL-MPX-3-15 | 1 | ● | change to 3-26, 3-27, 3-28 from 2013 / from 2015 A-01, used in replace of 3-28 |
| 3-16 | Suction Return Packing | 50317203013 | VAL-DS-T-05A | 1 | ● | |
| 3-17 | Filter Element | 50317203004 | VAL-DS-T-06 | 1 | ● | |
| 3-18 | Fuel Gauge | 50268203006 | VAL-MPX-3-18 | 1 | ● | |
| 3-19 | Tank Cap | 50335102008 | VAL-EPX-3-15 | 1 | ● | |
| 3-20 | Fuel Tank | 50346103003 | VAL-MPX-3-20 | 1 | N/A | replace with 50346180002 |
| | | 50346180002 | VAL-MPX-3-20A | 1 | ● | with 3-18, 3-19, 3-21, 3-22 |
| 3-21 | Drain Packing | 50231204021 | VAL-KSL-T-21 | 1 | ● | |
| 3-22 | Drain Bolt | 50231204020 | VAL-KSL-T-22 | 1 | ● | with 3-21 |
| 3-23 | Tank Leg | 50346203002 | VAL-MPX-3-23 | 1 | ● | |
| 3-24 | Axle Assembly | 50346103005 | VAL-MPX-3-24 | 1 | ● | |
| 3-25 | Wheel | 50250203001 | | 2 | □ | |
| | | 50348203001 | VAL-MPX-3-25 | 2 | ● | |
| 3-26 | Return Line (A) | 50346203017 | VAL-MPX-3-26 | 1 | ● | from 2013 C-01 |
| 3-27 | Return Line (B) | 50346203018 | VAL-MPX-3-27 | 1 | ● | from 2013 C-01 |
| 3-28 | Return Line (C) | 50346203019 | VAL-MPX-3-28 | 1 | N/A | used from 2013 C-01 till 2014 / from 2015 A-01, change to 3-15 Return line |
| 3-29 | Y-Shaped Hose Joint | 50346203020 | VAL-MPX-3-29 | 1 | ● | from 2013 C-01 |
| 3-30* | Convolutd Hose | 50347200004 | VAL-MPX-3-30 | 1 | ● | from 2015 A-01 |

*Not shown in drawing