

SPARE PARTS LIST

f o r

Far-infrared oil heater

Model

VAL6

Type

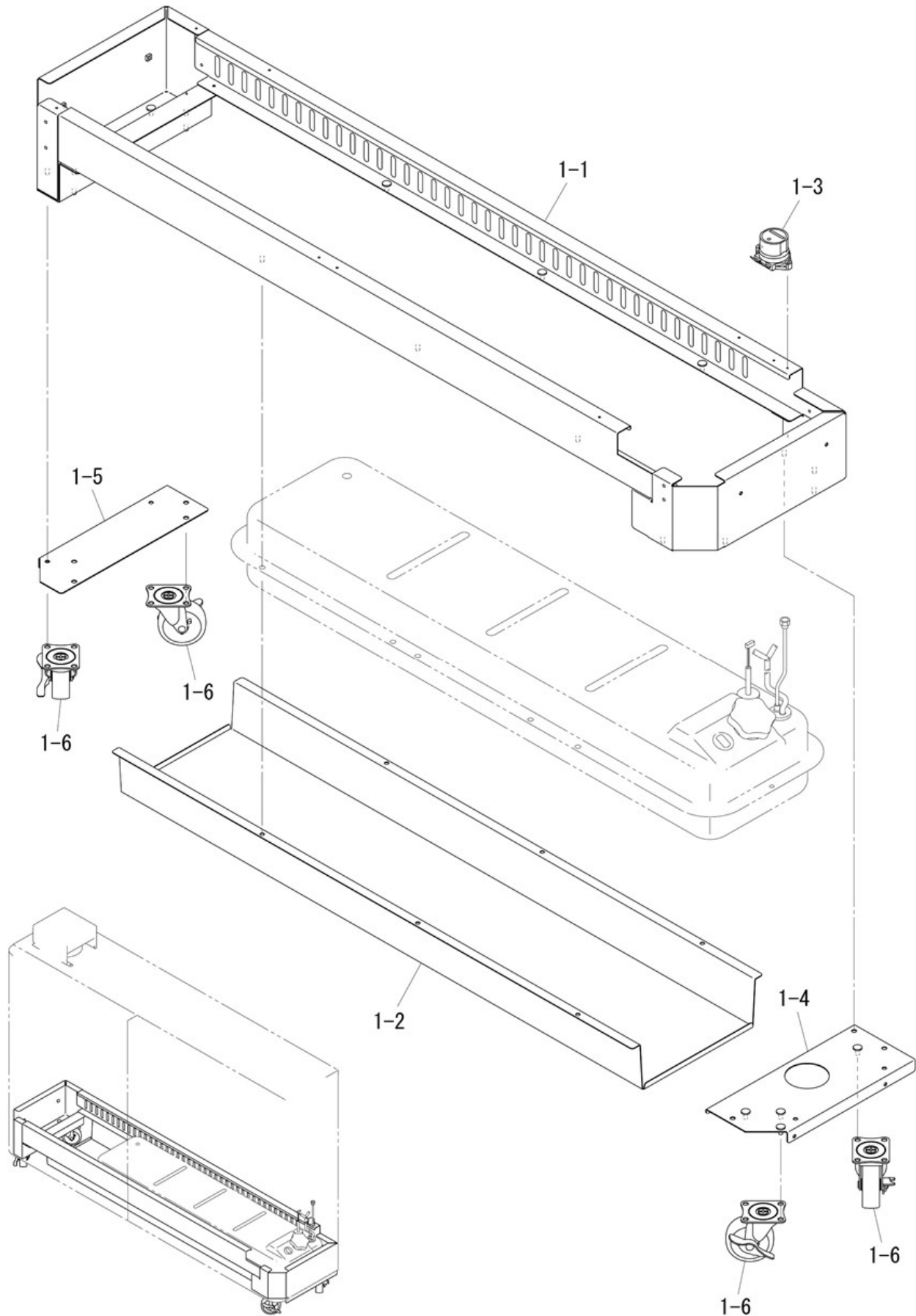
◆ FIR-X5 for 120V 60Hz

March 2025

Shizuoka Seiki Co., Ltd.

* PRICES AND SPECIFICATIONS ARE SUBJECT TO CHANGE WITHOUT NOTICE*

1. BASE

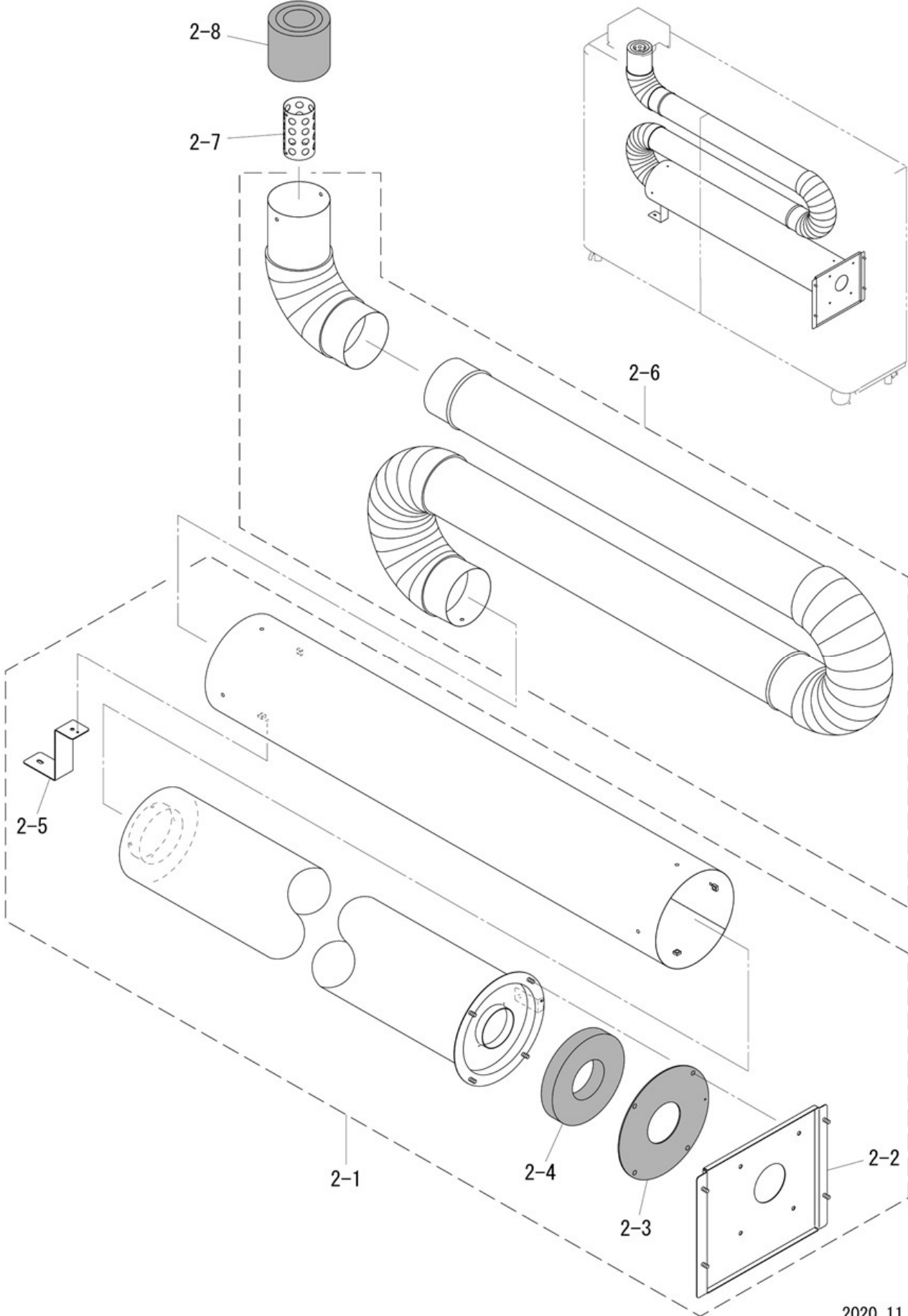


Shizuoka Seiki Co.,Ltd.

Revised: March 2025

Part No.	PART NAME <Base>	CODE NO.	JSO NO	Q'TY /SET	REMARKS
1-1	Tank stay	50351-101002	VAL-FX5-1-01	1	
1-2	Bottom plate	50361-201001	VAL-FX5-1-02	1	
1-3	Tip-over switch	50298-202015	VAL-KSL-B-44	1	
1-4	Left stay	50351-201004	VAL-FX5-1-04	1	
1-5	Right stay	50351-201006	VAL-FX5-1-05	1	
1-6	Caster	50351-201008	VAL-FX5-1-06	4	

2. COMBUSTION

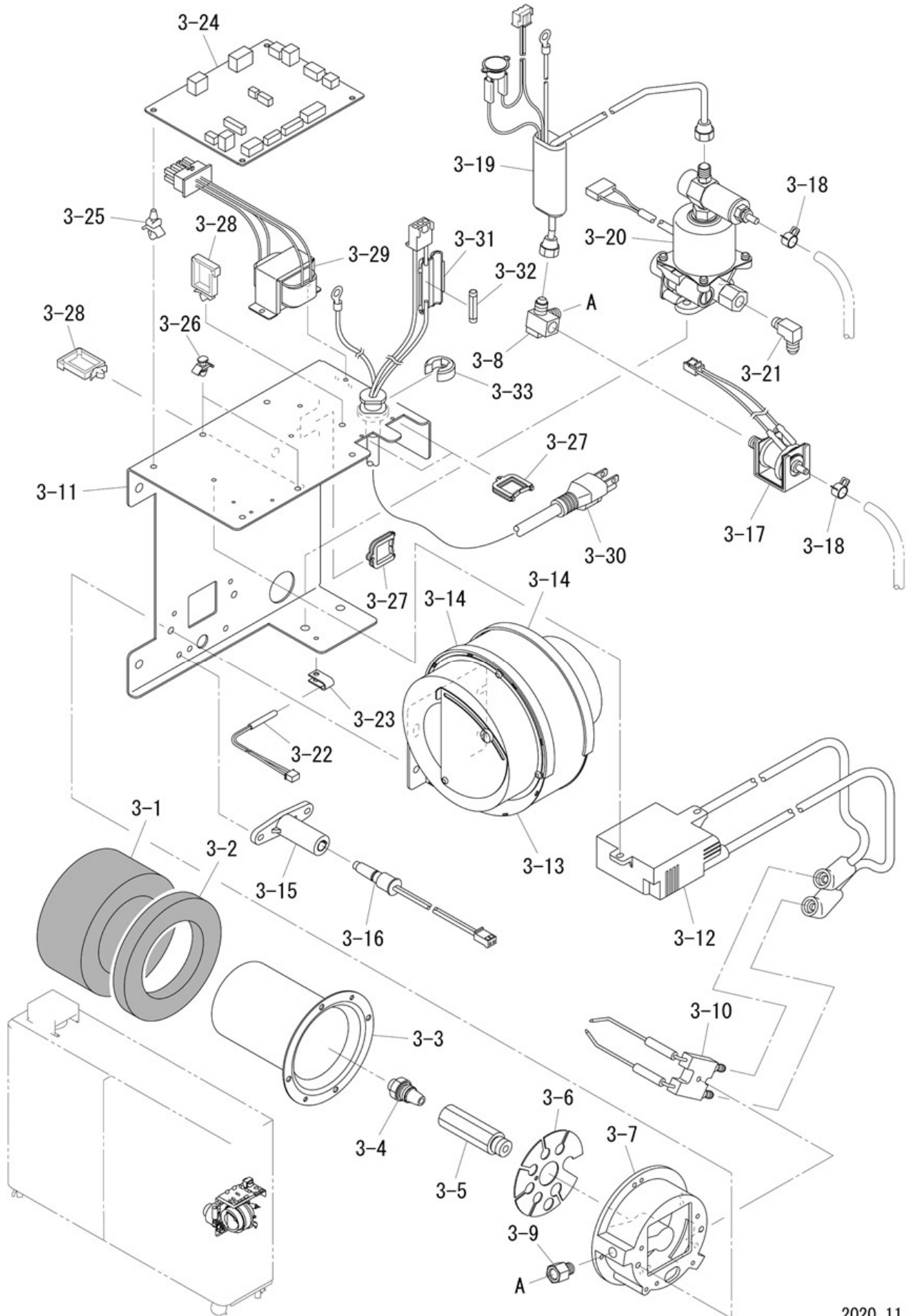


Shizuoka Seiki Co.,Ltd.

Revised: March 2025

PART NO.	PART NAME < Combustion >	CODE NO.	JSO NO	Q'TY /SET	REMARKS
2-1	Combustion chamber assembly	50351-102002	VAL-FX5-2-01	1	including No.2-2~4
2-2	Combustion chamber mounting	50351-202011	VAL-FX5-2-02	1	
2-3	Combustion gasket (2)	50351-202013	VAL-FX5-2-03	1	
2-4	Combustion gasket	50351-202008	VAL-FX5-2-04	1	
2-5	Combustion chamber support	50351-202012	VAL-FX5-2-05	1	
2-6	Radiation tube	50351-102004	VAL-FX5-2-06	1	
2-7	Silencer pipe	50351-202009	VAL-FX5-2-07	1	
2-8	Silencer wool	50351-202010	VAL-FX5-2-08	1	

3. BURNER

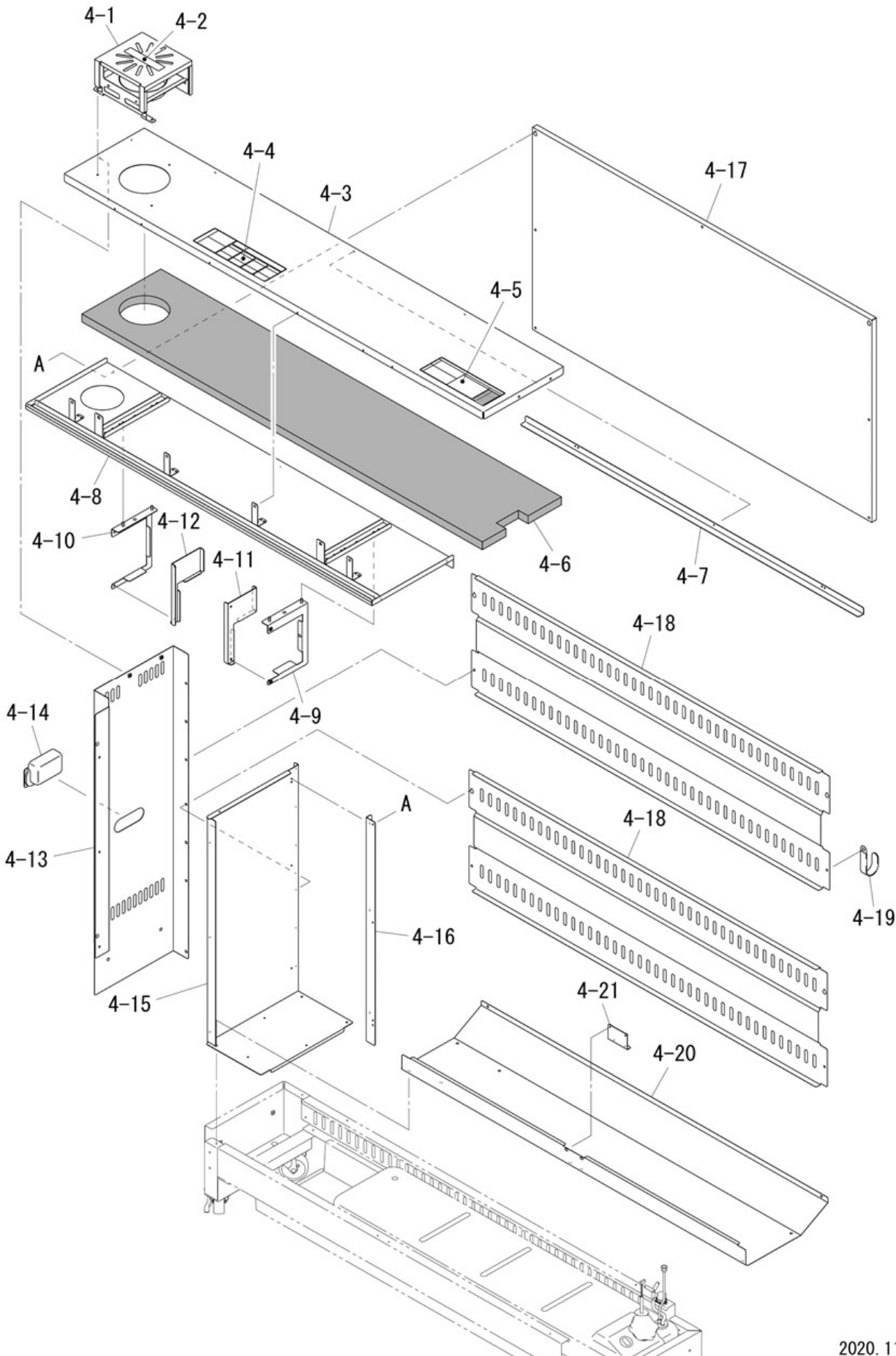


Shizuoka Seiki Co.,Ltd.

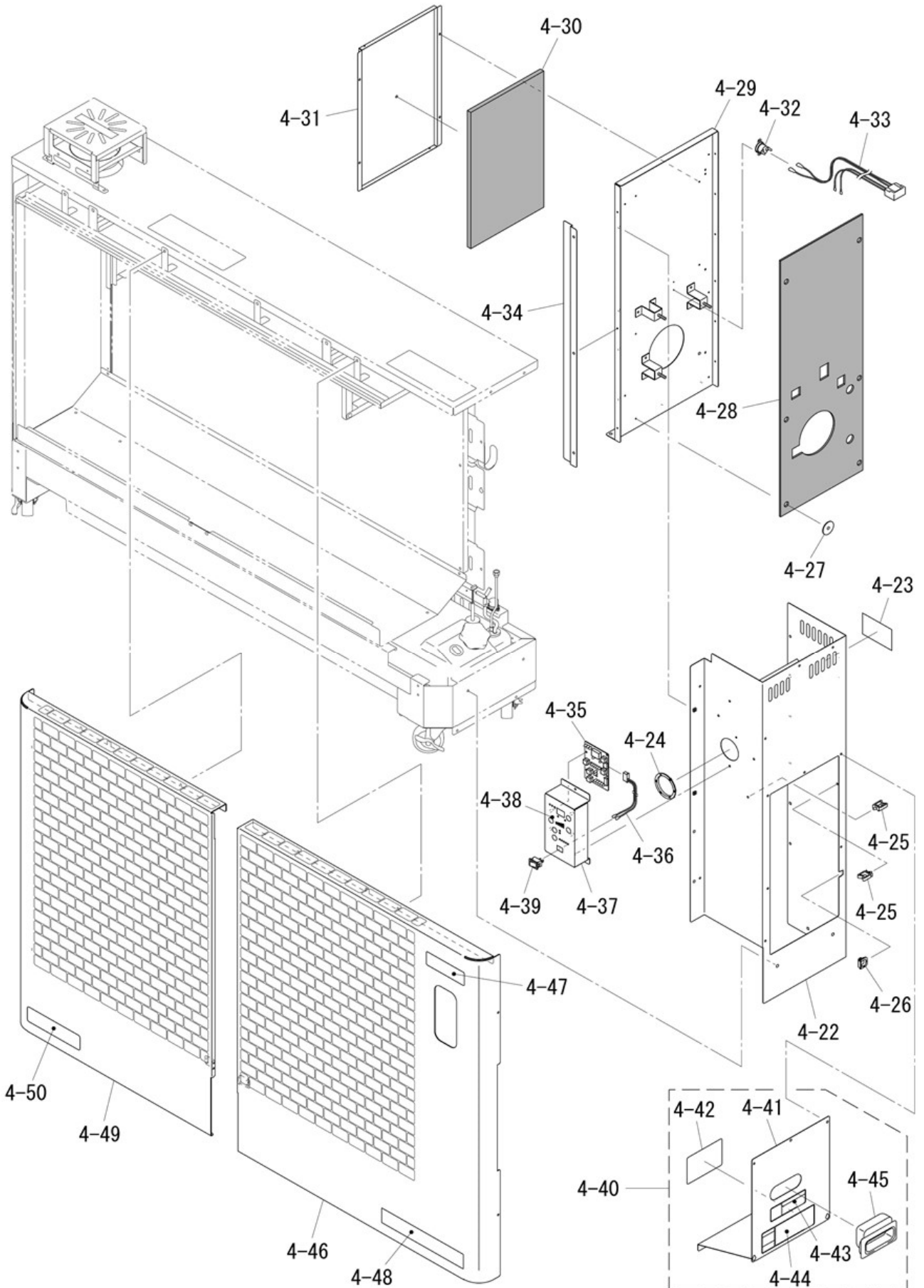
Revised: March 2025

PART NO.	PART NAME <Burner>	CODE NO.	JSO NO	Q'TY /SET	REMARKS
3-1	Burner gasket(Thick)	50351-203003	VAL-FX5-3-01	1	
3-2	Burner gasket(Thin)	50351-203015	VAL-FX5-3-02	1	
3-3	Draft tube	50361-103003	VAL-FX5-3-03	1	
3-4	Nozzle	50361-203003	VAL-FX5-3-04	1	
3-5	Nozzle nipple	50250-202021	VAL-FX5-3-05	1	
3-6	Whirl vane	50361-203007	VAL-FX5-3-06	1	
3-7	Diffuser	50284-202007	VAL-KSL-B-08	1	
3-8	Three-way joint	50361-203014	VAL-FX5-3-08	1	
3-9	Socket	50361-203005	VAL-FX5-3-09	1	
3-10	Electrode	50361-203004	VAL-FX5-3-10	1	
3-11	Burner base	50361-203001	VAL-FX5-3-11	1	
3-12	Ignition transformer	50239-202015		1	changed to 50361203015
		50361-203015	VAL-FX5-3-12	1	from 2023(Q-lot)
3-13	Combution fan	50361-103005	VAL-FX5-3-13	1	with No.3-14
3-14	Protective sealing	50327-202004	VAL-FX5-3-14	2	
3-15	Flame monitor holder	50262-202029	VAL-KSL-B-47	1	
3-16	Flame monitor	50361-103004	VAL-FX5-3-16	1	
3-17	Solenoid Valve	50361-203010	VAL-FX5-3-17	1	
3-18	Hose clamp	50319-202016	VAL-KSL-B-50	2	
3-19	Fuel preheater	50361-103006	VAL-FX5-3-19	1	
3-20	Fuel pump	50361-203013	VAL-FX5-3-20	1	
3-21	Pump nipple	50204-201025	VAL-DS-B-04	1	
3-22	Thermistor	50357-102010	VAL-FX5-3-22	1	from 2021(S-lot) attached at left cover
		50361-103008	VAL-FX5-3-22A	1	from 2023(Q-lot)
3-23	Nylon clamp	50304-202022	VAL-EPX-2-44	1	from 2021(S-lot) attached at left cover
	Nylon clamp (NK-6N)	50229-202051	VAL-FX5-3-23	1	from 2023(Q-lot)
3-24	Burner controller for first mode	50361-180002		N/A	for only T-lot in 2020 changed to 50361280001
		50361-280001	VAL-FX5-3-24T	1	for only T-lot in 2020
	Burner controller	50361-203008	VAL-FX5-3-24	1	from 2021(S-lot)
3-25	Control board support	50229-201037	VAL-KSL-B-30	4	
3-26	Control board spacer	50271-202023	VAL-EPX-2-35	2	
3-27	Edge cover	50708-203009	VAL-FX5-3-27	3	
3-28	Wire binding	53005-202029	VAL-RK-506-24	2	
3-29	Srep down transfoemer	50304-202011	VAL-FX5-3-29	1	
3-30	Power cord	50361-203011	VAL-FX5-3-30	1	including No.3-31~33
3-31	Fuse holder	50217-202034	VAL-KSL-B-18	1	
3-32	Fuse(3A)	50204-201061	VAL-KSL-B-17	1	250V, 3A
3-33	Cable stopper	50205-201019	VAL-MPX-2-14	1	

4. OUTER 1/2



4. OUTER 2/2



Shizuoka Seiki Co., Ltd.

Revised: March 2025

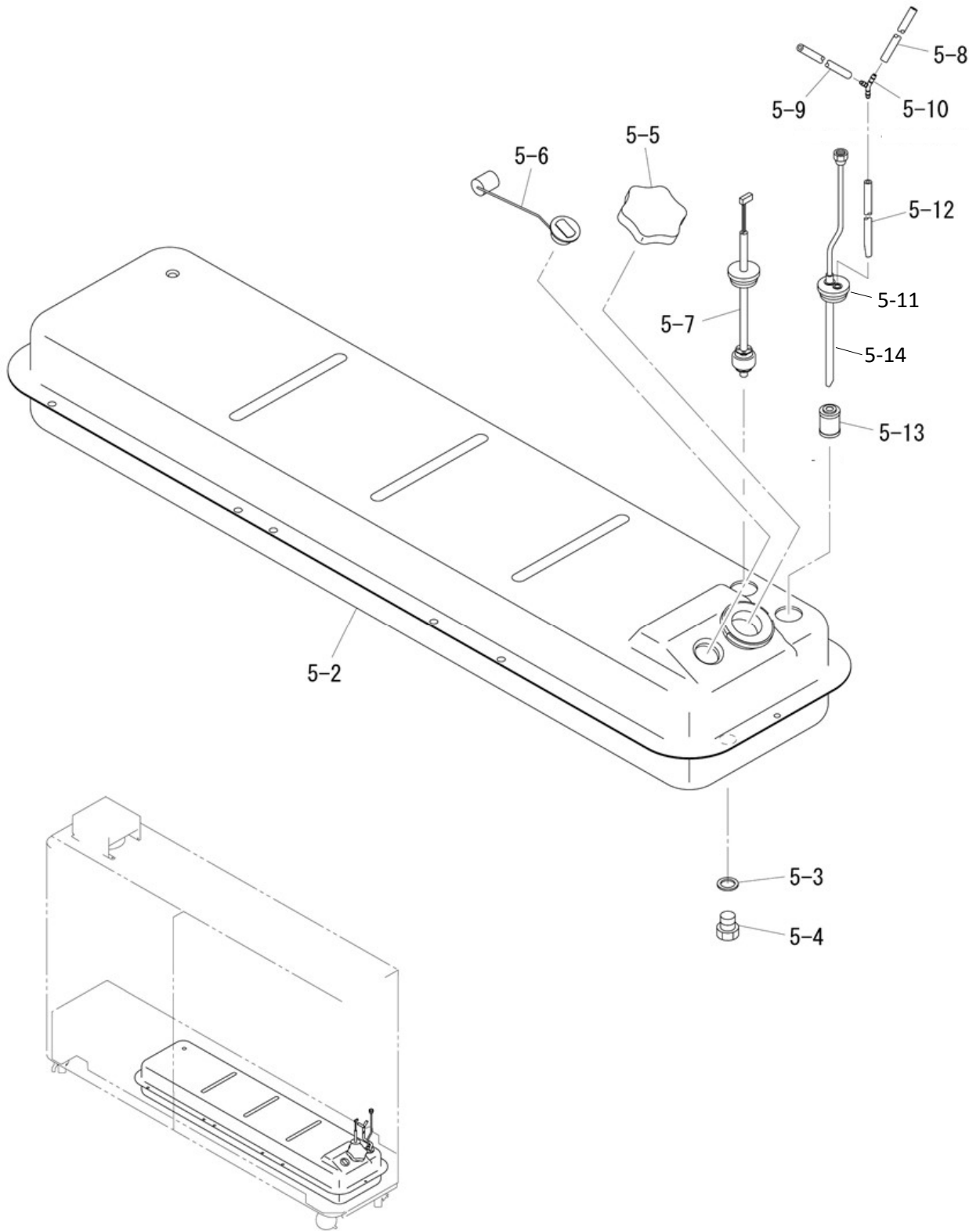
PART NO.	PART NAME < Outer section >	CODE NO.	JSO NO	Q'TY /SET	REMARKS
4-1	Exhaust port	50361-106001	VAL-FX5-4-01	1	including No.4-2
4-2	Hot surface caution label	50361-206001	VAL-FX5-4-02	1	Figure only
4-3	Top cover assembly	50361-180001	VAL-FX5-4-03	1	including No.4-4,4-5
4-4	Danger label	50361-204001	VAL-FX5-4-04	1	Figure only
4-5	Caution label	50361-204002	VAL-FX5-4-05	1	Figure only
4-6	Top insulator	50351-204020	VAL-FX5-4-06	1	
4-7	Top insulator holding plate	50351-204019	VAL-FX5-4-07	1	
4-8	Top reflector	50351-104008	VAL-FX5-4-08	1	
4-9	Left tube hanger	50351-200003	VAL-FX5-4-09	1	
4-10	Right tube hanger	50351-200004	VAL-FX5-4-10	1	
4-11	Left tube hanger stay	50351-200013	VAL-FX5-4-11	1	
4-12	Right tube hanger stay	50351-200014	VAL-FX5-4-12	1	
4-13	Right cover	50351-204041	VAL-FX5-4-13	1	
4-14	Handle	50351-204038	VAL-FX5-4-14	1	same as No.4-45
4-15	Right reflector	50361-204003	VAL-FX5-4-15	1	
4-16	Right reflector holding plate	50351-204007	VAL-FX5-4-16	1	
4-17	Rear reflector	50351-204012	VAL-FX5-4-17	1	
4-18	Rear cover	50351-204024	VAL-FX5-4-18	2	
4-19	Cable hook	50242-202035	VAL-NA-R-22	1	
4-20	Bottom reflector	50361-204004	VAL-FX5-4-20	1	
4-21	Front guard holding plate	50351-204028	VAL-FX5-4-21	1	
4-22	Left cover	50351-104012	VAL-FX5-4-22	1	till 2020 T-01 lot only
		50361-104007	VAL-FX5-4-22A	1	from 2021 S-01
4-23	Specifications label	50361-200002	VAL-FX5-4-23	1	Figure only
4-24	Power cable holder	01085-201021	VAL-FX5-4-24	1	
4-25	Wire binding	20701-203021	VAL-FX5-4-25	2	
4-26	Edge holder	50821-201046	VAL-FX5-4-26	1	
4-27	Insulator holding piece	50351-204036	VAL-FX5-4-27	6	
4-28	Burner fitting plate insulator	50351-204022	VAL-FX5-4-28	1	
4-29	Burner fitting plate	50351-104007	VAL-FX5-4-29	1	
4-30	Left reflector insulator	50351-204004	VAL-FX5-4-30	1	
4-31	Left reflector	50351-204009	VAL-FX5-4-31	1	
4-32	Overheat protection	50266-203014	VAL-FX5-4-32	1	
4-33	Relay for overheat/tip-over	50351-204033	VAL-FX5-4-33	1	
4-34	Shielding plate (Left)	50351-204008	VAL-FX5-4-34	1	
4-35	Operating board	50361-203009	VAL-FX5-4-35	1	
4-36	Switch cord	50361-204005	VAL-FX5-4-36	1	till 2020 T-01 lot only
	Switch cord for external thermostat	50361-204007	VAL-FX5-4-36A	1	from 2021 S-01
4-37	Operating board chassis	50361-204006	VAL-FX5-4-37	1	
4-38	Operation label	50361-200007	VAL-FX5-4-38	1	Figure only
4-39	Operating switch	50254-204006	VAL-KSL-B-29B	1	
4-40	Burner cover assembly	50361-100004	VAL-FX5-4-40	1	including No.4-41~45
4-41	Burner cover	50351-200012	VAL-FX5-4-41	1	
4-42	Wiring label	50361-200004	VAL-FX5-4-42	1	Figure only
4-43	Floor temperature caution label	50361-200005	VAL-FX5-4-43	1	Figure only
4-44	Caution on refueling / Filter maintenance label	50361-200008	VAL-FX5-4-44	1	Figure only

Shizuoka Seiki Co.,Ltd.

Revised: March 2024

PART NO.	PART NAME < Outer section >	CODE NO.	JSO NO	Q'TY /SET	REMARKS
4-45	Handle	50351-204038	VAL-FX5-4-14	1	same as No.4-14
4-46	Left guard	50361-100001	VAL-FX5-4-46	1	including No.4-47,48
4-47	VAL6 label	50361-200006	VAL-FX5-4-47	1	Figure only
4-48	Company name label	50351-200010	VAL-FX5-4-48	1	Figure only
4-49	Right guard	50361-100002	VAL-FX5-4-49	1	including No.4-50
4-50	Model name label	50361-200003	VAL-FX5-4-50	1	Figure only
4-51	Tip-over cord grommet	50219-201063	VAL-NA-B-21	1	from 2021 S-01

5. TANK



Shizuoka Seiki Co.,Ltd.

Revised: March 2024

PART NO.	PART NAME < Tank >	CODE NO.	JSO NO	Q'TY /SET	REMARKS
5-1	Tank assembly	50361-105001	VAL-FX5-5-01	1	available on request at produciton
5-2	Tank	50361-105002	VAL-FX5-5-02	1	including No.5-3, 5-4
5-3	Drain packing	50231-204021	VAL-KSL-T-21	1	
5-4	Drain bolt	50231-204020	VAL-KSL-T-22	1	
5-5	Fuel cap	50335-102008	VAL-KSL-T-18A	1	
5-6	Fuel gauge	50351-205002	VAL-FX5-5-06	1	
5-7	Fuel sensor	50361-205005	VAL-FX5-5-07	1	
5-8	Return line B	50361-205003	VAL-FX5-5-08	1	
5-9	Return line C	50361-205004	VAL-FX5-5-09	1	
5-10	Y shaped hose joint	50346-203020	VAL-DS-T-13	1	
5-11	Suction Return gasket	50317-203013	VAL-DS-T-05A	1	
5-12	Return line A	50361-205002	VAL-FX5-5-12	1	
5-13	Filter element(15μ)	50317-203004	VAL-DS-T-06	1	
5-14	Suction pipe assembly	50351-105004	VAL-FX5-5-14	1	