

# SPARE PARTS LIST

f o r

*Infrared oil heater*

*Model*

# **VAL6**

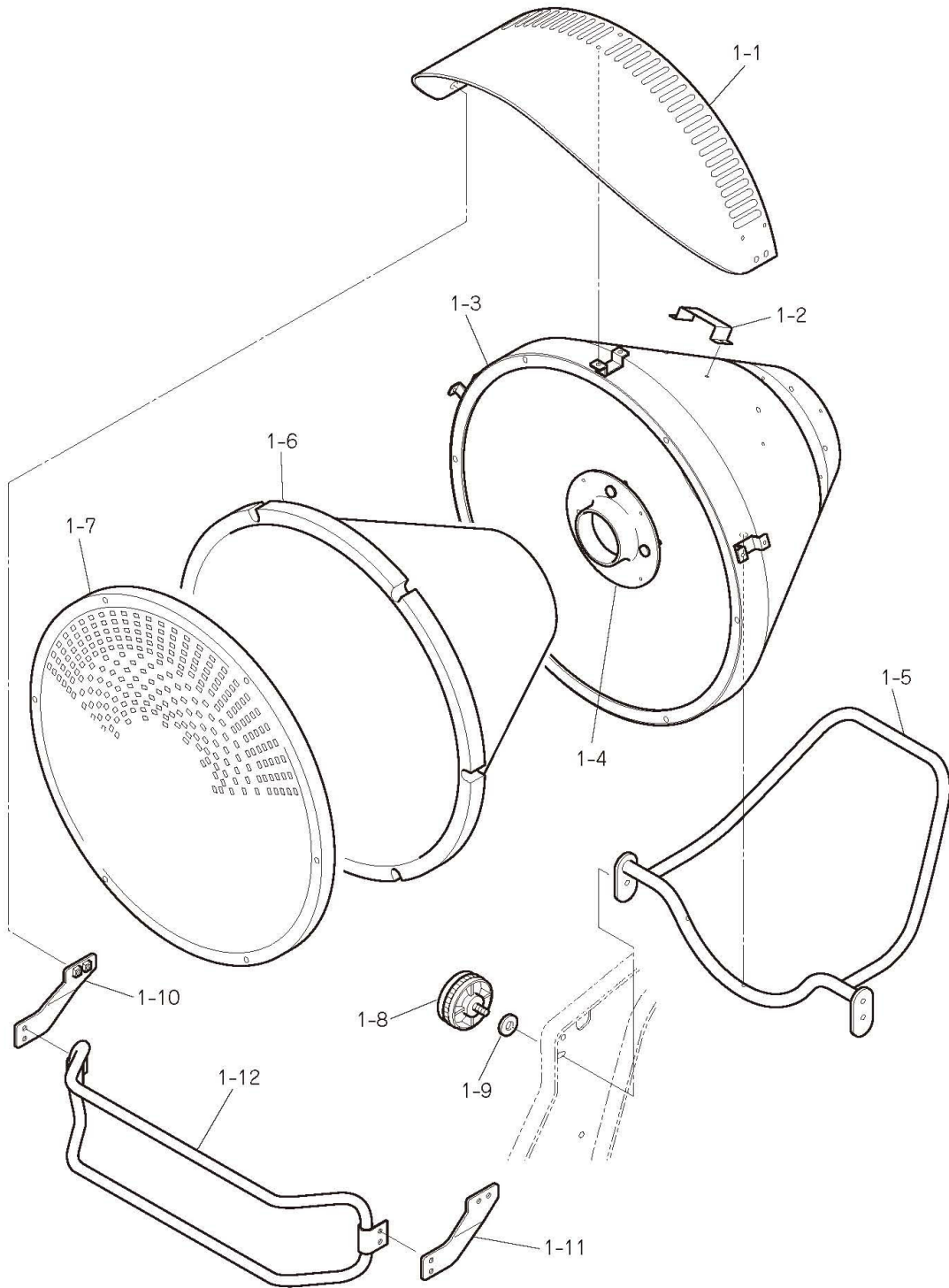
Type

◆ EPX5 for 120V 60Hz

March 2025

***Shizuoka Seiki Co., Ltd.***

\* PRICES AND SPECIFICATIONS ARE SUBJECT TO CHANGE WITHOUT NOTICE\*



VAL6 EPX Combustion Section 09.03.26

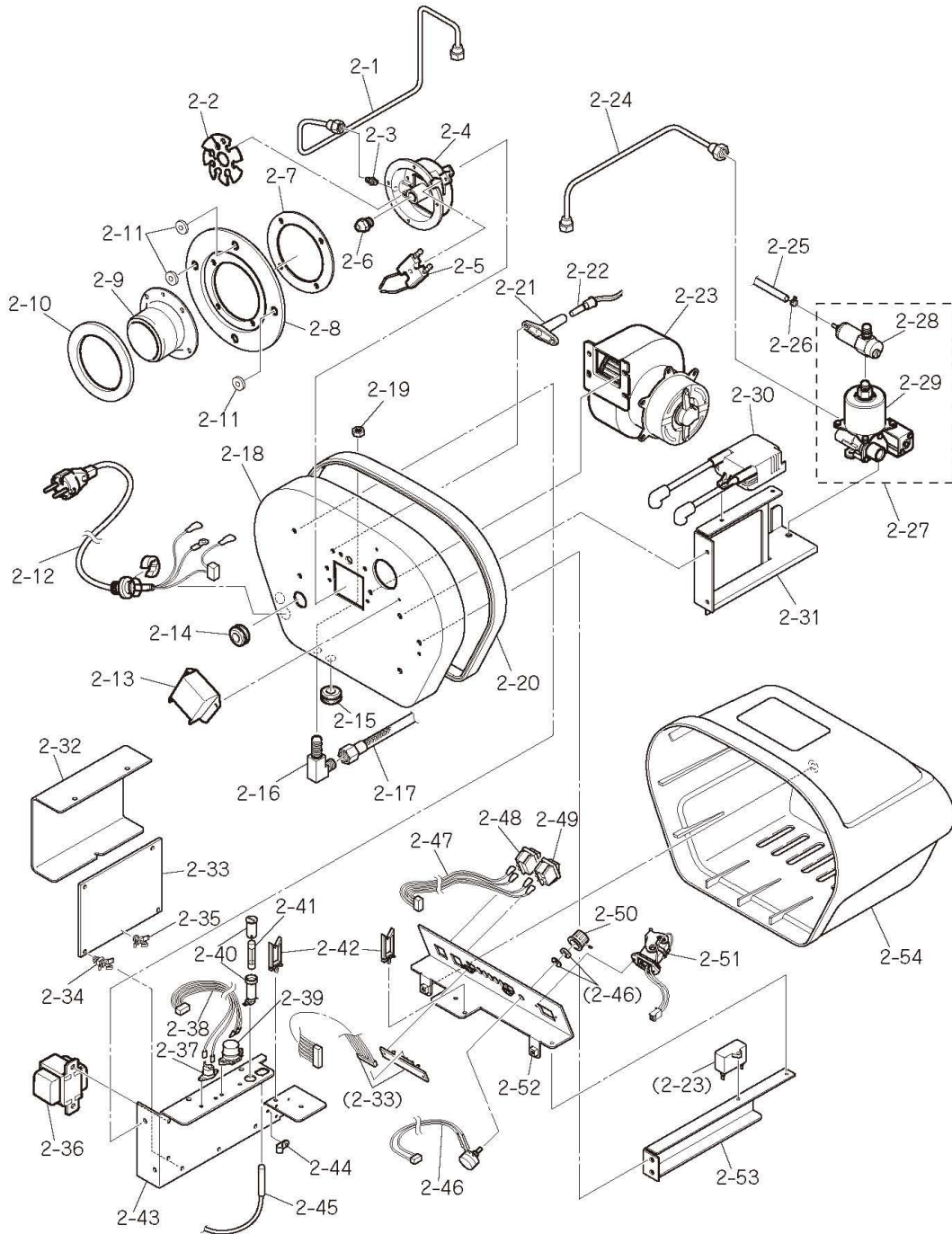
# Shizuoka Seiki Co.,Ltd.

Revised: March 2025

□-mark means that the parts supply period is over and there are limited numbers of stock.

Part No.	PART NAME <COMBUSTION SECTION>	CODE NO.	JSO NO	Q'TY /SET	EPX5	REMARKS
1-1	Visor	50335203003	VAL-EPX-1-01	1	●	
1-2	Caution Label Plate	50335103006	VAL-EPX-1-02	1	●	with 50300203002 LABEL
1-3	Conical Housing	50335103004	VAL-EPX-1-03	1	N/A	changed to 50335180001
	Conical Housing Assembly	50335180001	VAL-EPX-1-03	1	●	include 1-2
1-4	Burner Fitting Piece	50335203007	VAL-EPX-1-04	1	●	
1-5	Support Pipe	50335103002	VAL-EPX-1-05	1	●	
1-6	Conical Insulator	50335203002	VAL-EPX-1-06	1	●	
1-7	Radiation Disk	50335203001	VAL-EPX-1-07	1	●	
1-8	Knob Bolt	50229202074	VAL-KSL-T-07	1	●	
1-9	Gasket	213005002-9		1	N/A	Replace to 50239 203024
		50239203024	VAL-EPX-1-09	1	●	
1-10	Protector Bracket (L)	50335203006	VAL-EPX-1-10	1	●	
1-11	Protector Bracket (R)	50335203005	VAL-EPX-1-11	1	●	
1-12	Protector Assembly	50335103005	VAL-EPX-1-12	1	●	

250374



VAL6 EPX Burner Section 09.03.26

# Shizuoka Seiki Co.,Ltd.

Revised: March 2025

□-mark means that the parts supply period is over and there are limited numbers of stock.

Part No.	PART NAME <BURNER SECTION>	CODE NO.	JSO NO.	Q'TY /SET	EPX5	REMARKS
2-1	Fuel Outlet Line	50335201007	VAL-EPX-2-01	1	●	
2-2	Whirl Vane	50335201012	VAL-EPX-2-02	1	●	
2-3	Nozzle Nipple	50217202052	VAL-KSL-B-09	1	●	
2-4	Diffuser	50284202007	VAL-KSL-B-08	1	●	
2-5	Electrode	50303201010	VAL-KSL-B-07A	1	●	
2-6	Nozzle	50300201018	VAL-KSL-B-04	1	●	0.85G/60°H for H lot(2008) only
		50335201038	VAL-KSL-B-04A	1	●	0.75G/60°H
2-7	Diffuser Packing	50298201020	VAL-KSL-B-03	1	●	
2-8	Burner Flange	50300201008	VAL-KSL-B-02	1	●	
2-9	Burner Cone	50300201017	VAL-KSL-B-01	1	●	
2-10	Burner Packing	50335201036	VAL-EPX-2-10	1	●	
2-11	Spacer Ring	50335201037	VAL-EPX-2-11	3	●	
2-12	Power Cable	50337201002	VAL-EPX-2-12	1	●	
2-13	Electrode Cover	50298201008	VAL-KSL-B-06	1	●	
2-14	Pump Nozzle Grommet	21022003-25		1	N/A	changed to 21300503-15
		21300503-15	VAL-KSL-B-22	1	●	
2-15	Φ16 Grommet	50335201029	VAL-EPX-2-15	1	●	
2-16	Return Line Nipple	21300503-60	VAL-1JA-B-33	1	N/A	Discontinued from 2015
		50213201007	VAL-EPX-2-16	1	●	Replacement for 21300503-60
2-17	Fuel Hose	50220203003	VAL-EPX-2-17	1	●	L=450
2-18	Burner Base		VAL-EPX-2-18	1	●	
2-19	Nipple Fitting Nut	21300503-58	VAL-KSL-B-37	1	□	same as 3-11
2-20	Base Packing	50335201018	VAL-EPX-2-20	1	●	
2-21	Flame Monitor Holder	50262202029	VAL-KSL-B-47	1	●	
2-22	Flame Monitor Complete	50335101009	VAL-EPX-2-22	1	●	w/o flame holder
2-23	Fan Motor	50337201004	VAL-EPX-2-23	1	●	
2-24	Fuel Intake Line	50335201006	VAL-EPX-2-24	1	●	
2-25	Return Hose	50335201008	VAL-EPX-2-25	1	●	
2-26	Hose Clamp	50319202016	VAL-KSL-B-50	1	●	
2-27	Fuel Pump with air vent valve	50337201003	VAL-EPX-2-27H	1	□	for H lot (2008) only
		50337201007	VAL-EPX-2-27	1	●	
2-30	Ignition Transformer	50298201006	VAL-KSL-B-27	1	□	till 2018
		50337201010	VAL-EPX-2-30A	1	●	from 2018/2019 V-04~
2-31	Pump Transformer Bracket	50335201002	VAL-EPX-2-31	1	●	
2-32	Burner Control Cover	50337101005	VAL-EPX-2-32	1	●	label:50335201017+50300201028
	Burner Control Board	50337170001	VAL-EPX-2-33H	1	□	for H lot (2008) only (7min.)
		50335201039	VAL-EPX-2-33	1	●	
2-34	Control Board Support	50229201037	VAL-KSL-B-30	4	●	
2-35	Control Board Spacer	50271202023	VAL-EPX-2-35	2	●	

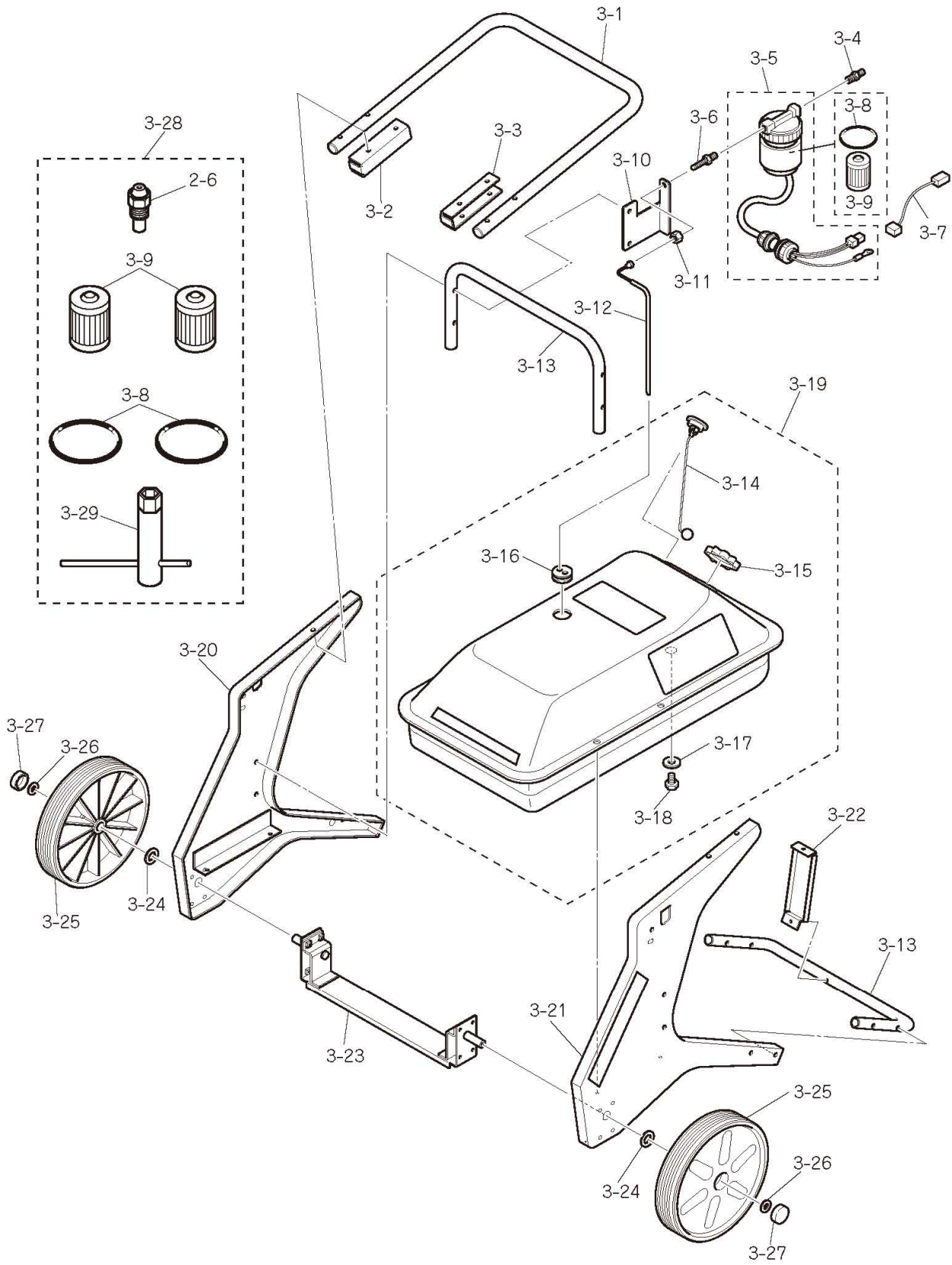
# Shizuoka Seiki Co.,Ltd.

Revised: March 2025

□-mark means that the parts supply period is over and there are limited numbers of stock.

Part No.	PART NAME <BURNER SECTION>	CODE NO.	JSO NO.	Q'TY /SET	EPX5	REMARKS
2-36	Step Down Transformer	50300201005	VAL-KSL-B-24	1	●	
2-37	Overheat Sensor	50288202001	VAL-EPX-2-37	1	●	
2-38	Overheat Sensor Cable	50335201028	VAL-EPX-2-38	1	●	
2-39	Tip-Over Switch	50298202015	VAL-KSL-B-44	1	●	
2-40	Fuse Holder	50300201024	VAL-KSL-B-18A	1	●	
2-41	Fuse	50300201026	VAL-KSL-B-17A	1	●	
2-42	Wire Binding	50810201055	VAL-KSL-B-49	2	●	till 2015
		50335201048	VAL-EPX-2-42A	2	●	from 2016 Z01 (WS-4)
2-43	Control Board Chassis	50335201003	VAL-EPX-2-43	1	●	
2-44	Nylon Clamp	50304202022	VAL-EPX-2-44	1	●	
2-45	Temperature Sensor	50304202021	VAL-EPX-2-45	1	●	
2-46	Internal Thermostat Cable	50335101007	VAL-EPX-2-46	1	●	
2-47	Operation Switch Cable	50335201026	VAL-EPX-2-47	1	●	
2-48	Change-Over Switch	50288204014		1	N/A	till H-02 change to 50335201045
		50335201045	VAL-EPX-2-48	1	●	from G-01
2-49	Operation Switch	50288204013	VAL-EPX-2-49	1	N/A	till H-02 change to 50335201044
		50335201044	VAL-EPX-2-49	1	●	from G-01
2-50	Internal Thermostat Knob	50335201025	VAL-EPX-2-50	1	□	Change to 50335201049
		50335201049	VAL-EPX-2-50A	1	●	from Q-03
2-51	External Thermostat Connector	50335101008	VAL-EPX-2-51	1	●	
2-52	Operating Panel	50335101011	VAL-EPX-2-52	1	●	
2-53	Operating Bracket	50335201010	VAL-EPX-2-53	1	●	
2-54	Burner Cover	50337180002		1	N/A	w/o 50335201043, change to 50337101002
		50337101002	VAL-EPX-2-54	1	●	

250374



VAL6 EPX\_Tank Section 09.03.26

# Shizuoka Seiki Co.,Ltd.

Revised: March 2025

□-mark means that the parts supply period is over and there are limited numbers of stock.

Part No.	PART NAME <TANK SECTION>	CODE NO.	JSO NO.	Q'TY /SET	EPX5	REMARKS
3-1	Handle	50335202012	VAL-EPX-3-01	1	□	till 2014 B lot
3-1A		50335202030	VAL-EPX-3-01A	1	●	from 2015 A-01
3-2	Handle Stay Bracket (L)	50335202019	VAL-EPX-3-02	1	●	
3-3	Handle Stay Bracket (R)	50335202020	VAL-EPX-3-03	1	□	till 2014 B lot
3-3A		50335202031	VAL-EPX-3-03A	1	●	from 2015 A-01
3-4	Filter Hose Nipple	22031001-43	VAL-KSL-B-15	1	●	
3-5	Strainer Heater Assembly (with body)	50337102002	VAL-EPX-3-05	1	●	
3-6	Filter Nipple	50306201010	VAL-EPX-3-06	1	●	
3-7	Strainer Heater Relay Cable	50337201006	VAL-EPX-3-07H	1	N/A	till G-01
		50337201009	VAL-EPX-3-07	1	●	from G-02
3-8	O Ring	21021003-13		1	N/A	Change to 50204201083
		50204201083	VAL-KSL-B-38		●	
3-9	Filter Element	21021003-10	VAL-KSL-B-14	1	●	
3-10	Filter Fitting Bracket	50335202014	VAL-EPX-3-10	1	●	
3-11	Nipple Fitting Nut	21300503-58	VAL-KSL-B-37	1	□	same as 2-19
3-12	Suction Pipe Assembly	50335102011	VAL-EPX-3-12	1	●	
3-13	Support Pipe	50335202013	VAL-EPX-3-13	2	●	
3-14	Fuel Gauge	50335202021	VAL-EPX-3-14	1	●	
3-15	Tank Cap	50335102008	VAL-KSL-T-18A	1	●	
3-16	Suction Return Packing	50317203013	VAL-DS-T-05A	1	●	
3-17	Drain Packing		VAL-KSL-T-21	1	●	
3-18	Drain Bolt	50231204020	VAL-KSL-T-22	1	●	
3-19	Fuel Tank Assembly	50337102003	VAL-EPX-3-19	1	●	sticker (50337202002)
3-20	Side Panel(L)	50335102012	VAL-EPX-3-20	1	●	
3-21	Side Panel(R)	50335102013	VAL-EPX-3-21	1	●	
3-22	Tank Support Bracket	50335202011	VAL-EPX-3-22	1	●	
3-23	Wheel Bearing Assembly	50335102006	VAL-EPX-3-23	1	●	
3-24	Wheel Spacer	50335202028	VAL-EPX-3-24	2	●	
3-25	Wheel	50335202007	VAL-EPX-3-25	2	●	
3-26	Wheel Washer	50335202022	VAL-EPX-3-26	2	●	
3-27	Shaft Cap	50335202010	VAL-EPX-3-27	2	●	
3-28	Repair Set	50335150002	VAL-KSL-B-38C	1	●	
3-29	Nozzle Wrench	21022003-68	VAL-KSL-B-38-2	1	●	

250374