

Spare Parts List

For

Forced Air Heater

Model

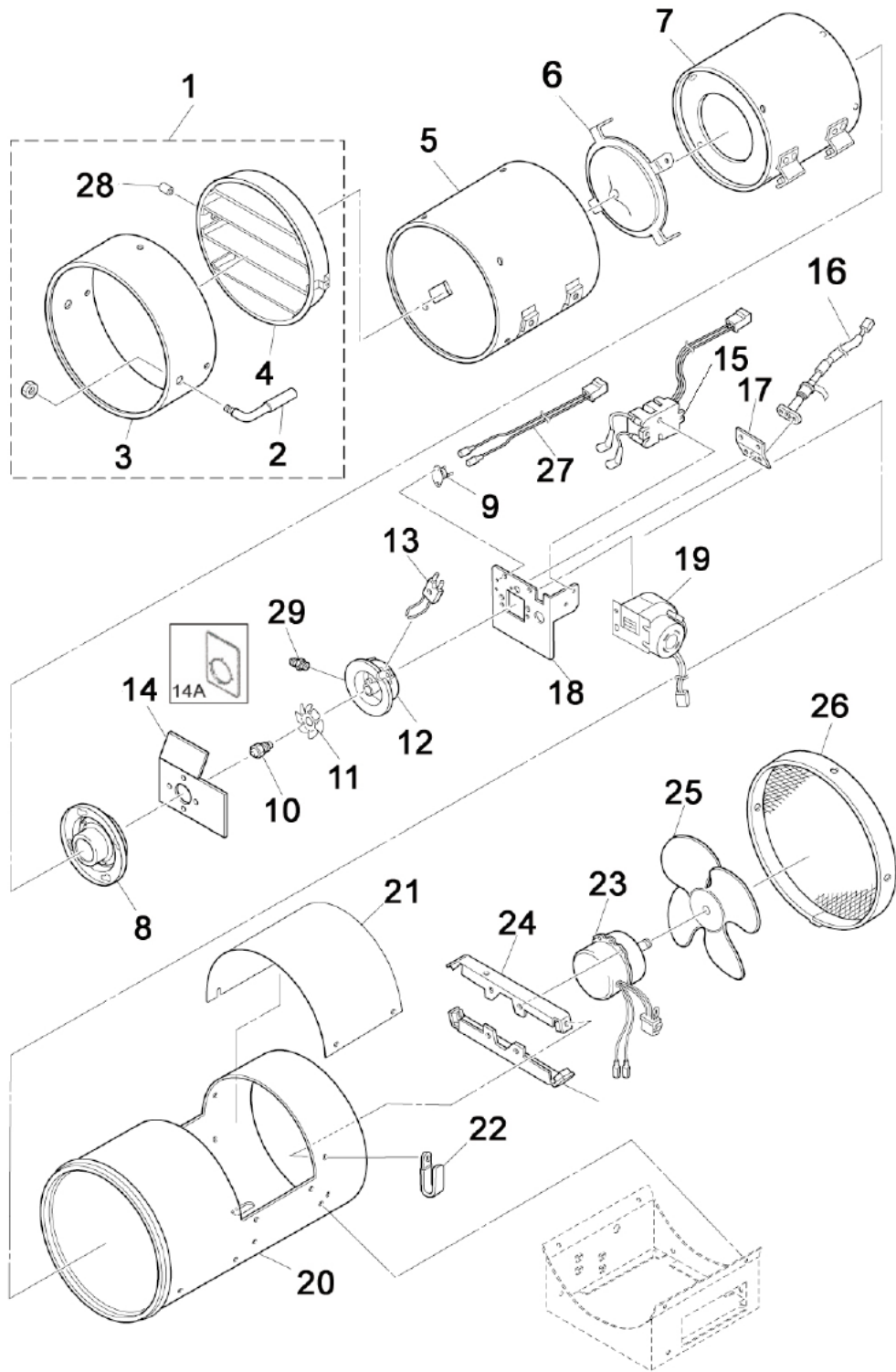
HOT GUN

HG 125NA

March 2025

Shizuoka Seiki Co., Ltd.

****PRICES AND SPECIFICATIONS ARE SUBJECT TO CHANGE WITHOUT NOTICE****



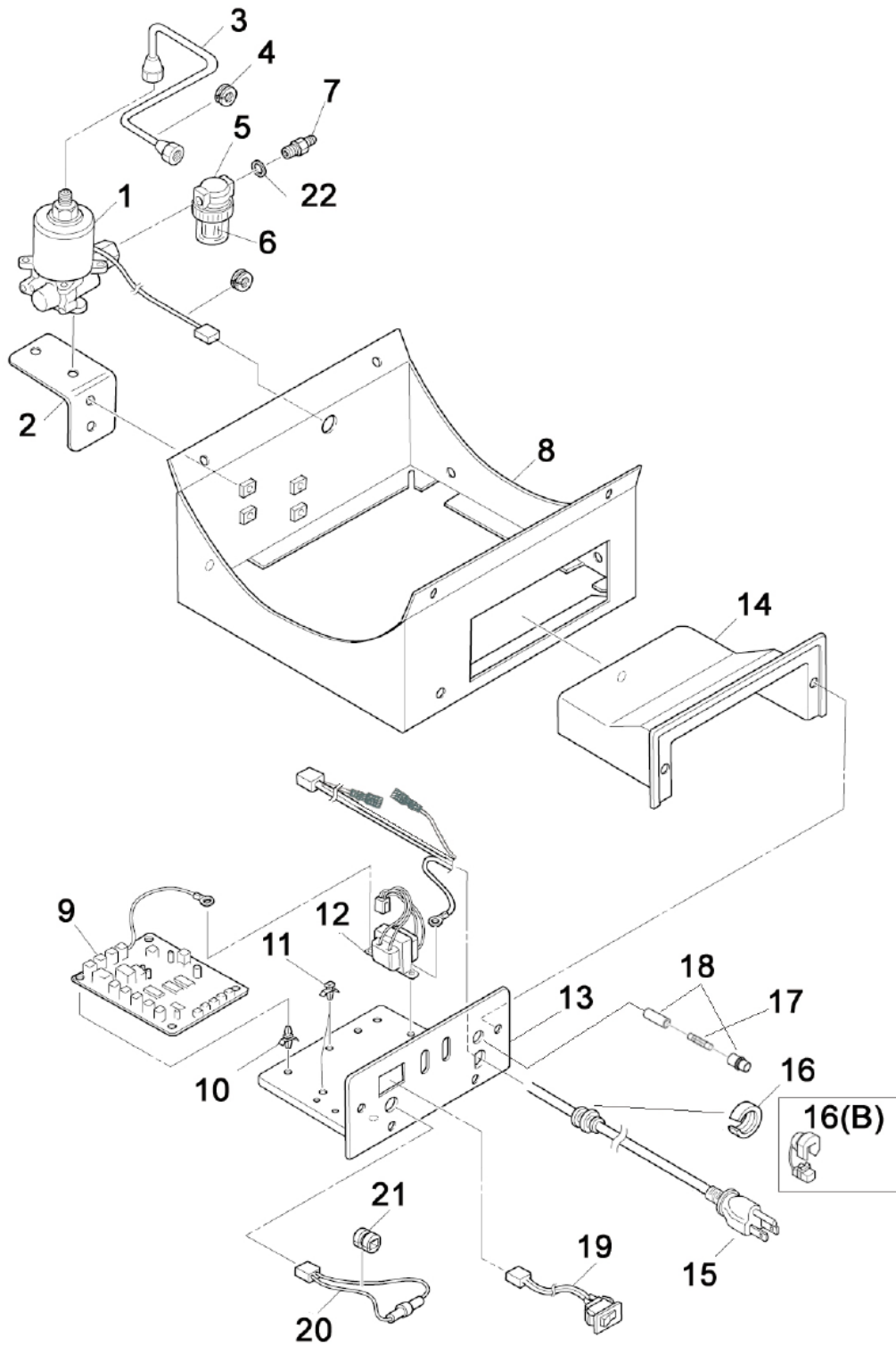
HG-125NA Main Section

Shizuoka Seiki Co.,Ltd.

Revised: March 2025

□-mark means that the parts supply period is over and there are limited numbers of stock.

Part No.	PART NAME < MAIN SECTION >	CODE NO.	JSO CODE	Q'TY /SET	125NA 120V	REMARKS
1-1	Spout Unit Ass'Y	50284-101005	VAL-NA-R-01	1	●	INCLUDE No.2,3,4,28
1-2	Lever	50284-201014	VAL-NA-R-02	1	●	
1-3	Louver Support	50284-201023	VAL-NA-R-03	1	●	
1-4	Louver	50284-101006	VAL-NA-R-04	1	●	
1-5	Heat Isolation Drum	50284-101003	VAL-NA-R-05	1	●	
1-6	Flame Barrier	50284-201007	VAL-NA-R-06	1	●	
1-7	Combustion Chamber	50284-101002	VAL-NA-R-07	1	●	
1-8	Burner Cone	50284-102003	VAL-NA-R-08	1	●	
1-9	Overheat Protector	50262-202018	VAL-NA-R-09	1	●	
1-10	Nozzle (0.85 Gal)	50300-201018	VAL-KSL-B-04	1	●	
1-11	Whirl Vane	50284-202002	VAL-NA-R-11	1	●	
1-12	Burner Boss	50284-202007	VAL-KSL-B-08	1	●	
1-13	Electrode	50262-202010	VAL-NA-R-13	1	●	
1-14	Insulating Plate	50284-202013	VAL-NA-R-14	1	N/A	till 06/07 changed to 50327 202002
1-14A		50327-202002	VAL-NA-R-14A	1	●	from 07/08
1-15	Ignition Transformer	50284-202010	VAL-NA-R-15	1	□	till 06/07
		50321-202003	VAL-NA-R-15A	1	●	from 07/08
1-16	Flame Monitor	50284-102004	VAL-NA-R-16	1	□	till 05/06, with holder & connector
		50321-102003	VAL-NA-R-16A	1	●	from 06/07, with holder & connector
1-17	Flame Monitor Bracket	50284-202004	VAL-NA-R-17	1	N/A	till 06/07 changed to 50327 202003
		50327-202003	VAL-NA-R-17A	1	●	from 07/08
1-18	Fan Motor Bracket	50284-202012	VAL-NA-R-18	1	●	
1-19	Combustion Fan	50321-202001	VAL-NA-R-19	1	●	Air inlet opening: 60Hz-2, 50Hz-8
1-20	Casing	50284-201001	VAL-NA-R-20	1	●	
1-21	Cover	50321-101001	VAL-NA-R-21	1	●	
1-22	Cable Hanger	50242-202035	VAL-NA-R-22	1	●	
1-23	Blower Motor	50284-201012		1	N/A	till 2012/13 changed to 50327 201006
		50327-201006	VAL-NA-R-23	1	□	till 2012/13
1-23A		50321-201006	VAL-NA-R-23A	1	●	from 2013/14 C-01
1-24	Blower Motor Bracket	50284-201013	VAL-NA-R-24	2	●	
1-25	Vane	50229-202045	VAL-NA-R-25	1	●	
1-26	Guard	50284-101007	VAL-NA-R-26	1	●	
1-27	Overheat Protector Cable	50272-202014	VAL-NA-R-27	1	□	L=600mm, till 2012/13
		50321-202004	VAL-NA-R-27A	1	●	from 2013/14 C-01
1-28	Louver Collar	50284-201025	VAL-NA-R-28	1	●	
1-29	Nozzle Nipple	50217-202052	VAL-KSL-B-09	1	●	

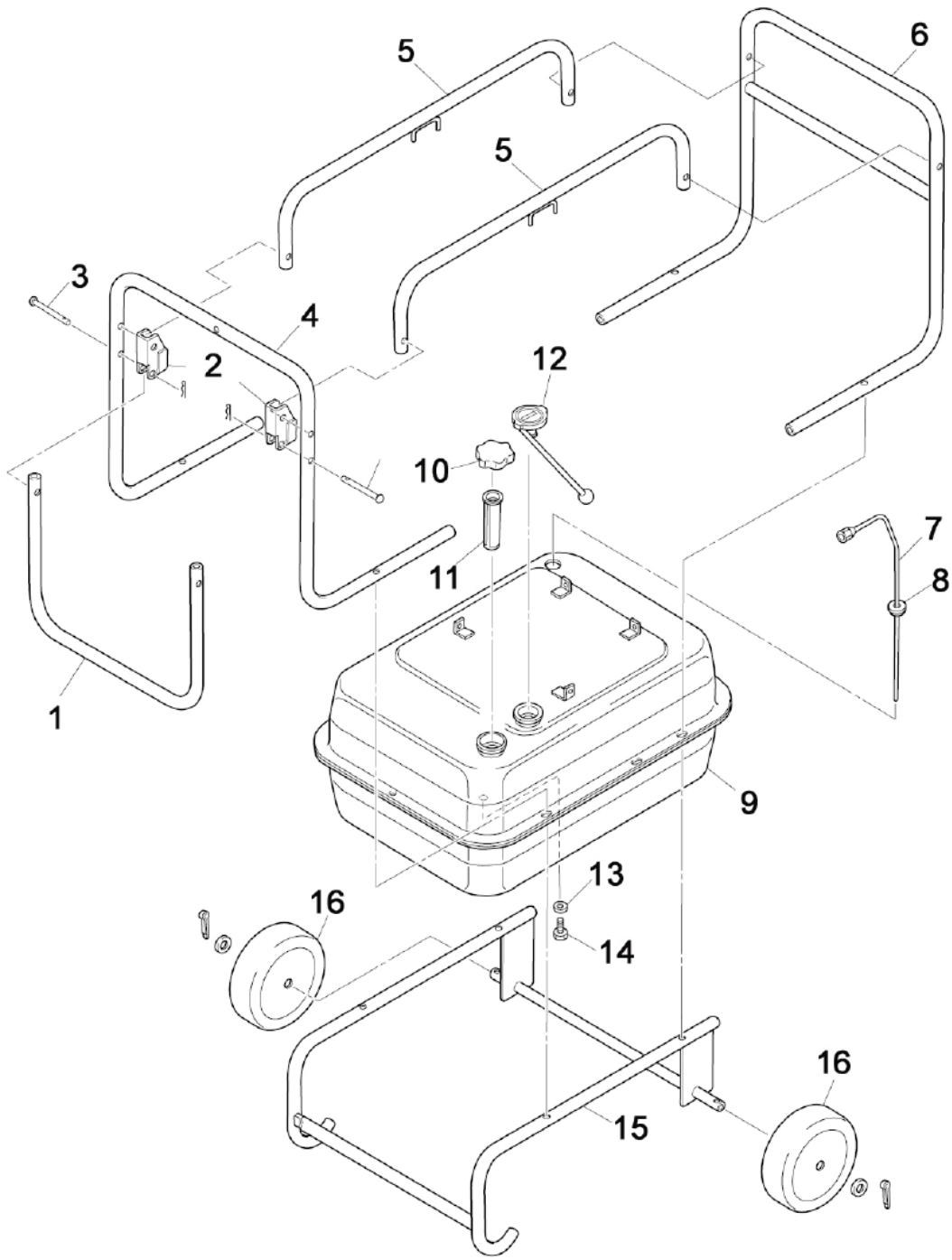


HG-125NA Control Section

Shizuoka Seiki Co., Ltd.

Revised: March 2025

Part	PART NAME	CODE NO.	JSO CODE	Q'TY	125NA	REMARKS
No.	< MAIN SECTION >			/SET	120V	
2-1	Fuel Pump	50321-203001	VAL-NA-B-01	1	●	
2-2	Pump Bracket	50296-203005	VAL-NA-B-02	1	●	
2-3	Pump-Nozzle Line	50296-203008	VAL-NA-B-03	1	●	
2-4	Pump-Nozzle Grommet	21300-503-15	VAL-NA-B-04	2	●	
2-5	Fuel Filter Comp.	50204-201085	VAL-KSL-B-13A	1	N/A	INCLUDE No.6 till 06/07 from 07/08 including 21021003-10
		21021-0003-9	VAL-KSL-B-13	1	●	
2-6	Filter Element	50204-201082	VAL-KSL-B-14A	1	N/A	till 2006/07
		21021-003-10	VAL-KSL-B-14	1	●	
2-7	Nipple	21021-003-16	VAL-NA-B-07	1	●	
2-8	Casing Support	50284-103005	VAL-NA-B-08	1	●	black from 2019
2-9	Burner Control	50321-204003	VAL-KSL-B-25A	1	N/A	till 05/06, changed to 50321204005
		50321-204005	VAL-KSL-B-25B	1	□	from 06/07, till 2012/13
		50330-201020	VAL-KSL-B-25E	1	N/A	from 2013/14 C-01 till 2016 Changed to 50330201026
		50330-201026	VAL-KSL-B-25F	1	●	from 2017/18 Y-01
2-10	Control Board Support	50229-201037	VAL-NA-B-10	4	●	
2-11	Control Board Spacer	50271-202023	VAL-EPX-2-35	2	●	
2-12	Step Down Transformer	50300-201005	VAL-KSL-B-24	1	●	
2-13	Face Plate	50321-104003	VAL-NA-B-13	1	●	with face plate
2-14	Burner Control Cover	50284-204003	VAL-NA-B-14	1	●	
2-15	Power Cable Including Plug	50321-204001	VAL-NA-B-15	1	N/A	till 03/04
		50300-201027	VAL-KSL-B-19A	1	N/A	from 04/05 till 05/06
		50321-204006	VAL-NA-B-15B	1	□	from 06/07, with No16, till 12/13
		50321-204007	VAL-NA-B-15C	1	●	from 2013/14 C-01
2-16	Cable Stopper	50205-201017	VAL-KSL-B-20B	1	●	till 03/04, from 06/07
2-16B		50221-2A2028	VAL-NA-B-16B	1	□	from 04/05 till 05/06
2-17	Fuse (3A)	50300-201026	VAL-KSL-B-17A	1	●	3A
2-18	Fuse Holder	50217-202034	VAL-NA-B-18	1	□	till 03/04
		50300-201024	VAL-NA-B-18A	1	●	from 04/05
2-19	Switch	50284-104003	VAL-NA-B-19	1	●	L=180mm
		50321-104004	VAL-NA-B-19A	1	●	from 2013/14 C-01
2-20	Thermostat Cable	50266-202007	VAL-NA-B-20	1	N/A	till 05/06, L=230mm
		50288-204015	VAL-NA-B-20A	1	●	from 06/07
		50321-204008	VAL-NA-B-20B	1	●	from 2013/14 C-01
2-21	Vibration Sensor Holder	50219-201063	VAL-NA-B-21	1	●	
2-22	Washer	21022-003-45	VAL-NA-B-22	1	●	



HG-125NA Tank Section

Shizuoka Seiki Co.,Ltd.

Revised: March 2025

□-mark means that the parts supply period
is over and there are limited numbers of

Part	PART NAME	CODE NO.	JSO CODE	Q'TY	125NA	REMARKS
No.	< MAIN SECTION >			/SET	120V	
3-1	Handle Bar	50242-2B3017	VAL-NA-T-01	1	●	
3-2	Handle Support	50321-103005	VAL-NA-T-02	2	●	
3-3	Rivet	50242-203018	VAL-NA-T-03	2	●	
3-4	Grip (F)	50284-203003	VAL-NA-T-04	1	●	
3-5	Reinforcement Bar	50242-1B3008	VAL-NA-T-05	2	●	
3-6	Grip (B)	50284-203004	VAL-NA-T-06	1	N/A	Changed to 50284103006
		50284-103006		1	●	
3-7	Suction Pipe	50296-203007	VAL-NA-T-07	1	●	
3-8	Suction Pipe Packing	50211-205015	VAL-NA-T-08	1	●	
3-9	Fuel Tank	50321-103002	VAL-NA-T-09	1	□	from 2017/18
		50321-103A02	VAL-NA-T-09A	1	●	
3-10	Filler Cap	50219-102003	VAL-NA-T-10	1	●	
3-11	Tank Inlet Filter	21022-002-11	VAL-NA-T-11	1	●	50231204014
3-12	Fuel Gauge	50260-102003	VAL-NA-T-12	1	●	till 2016/17
		50321-203009	VAL-NA-T-12A	1	●	from 2017/18
3-13	Drain Packing	50231-204021	VAL-KSL-T-21	1	●	
3-14	Drain Bolt	50231-204020	VAL-KSL-T-22	1	●	M16
3-15	Wheel Shaft Ass'Y	50321-103004	VAL-NA-T-15	1	●	
3-16	Wheel	50201-204006	VAL-KSL-T-12	2	□	dia. = 200mm
		50330-202024		2	●	