

SPARE PARTS LIST

f o r

Far infrared heater

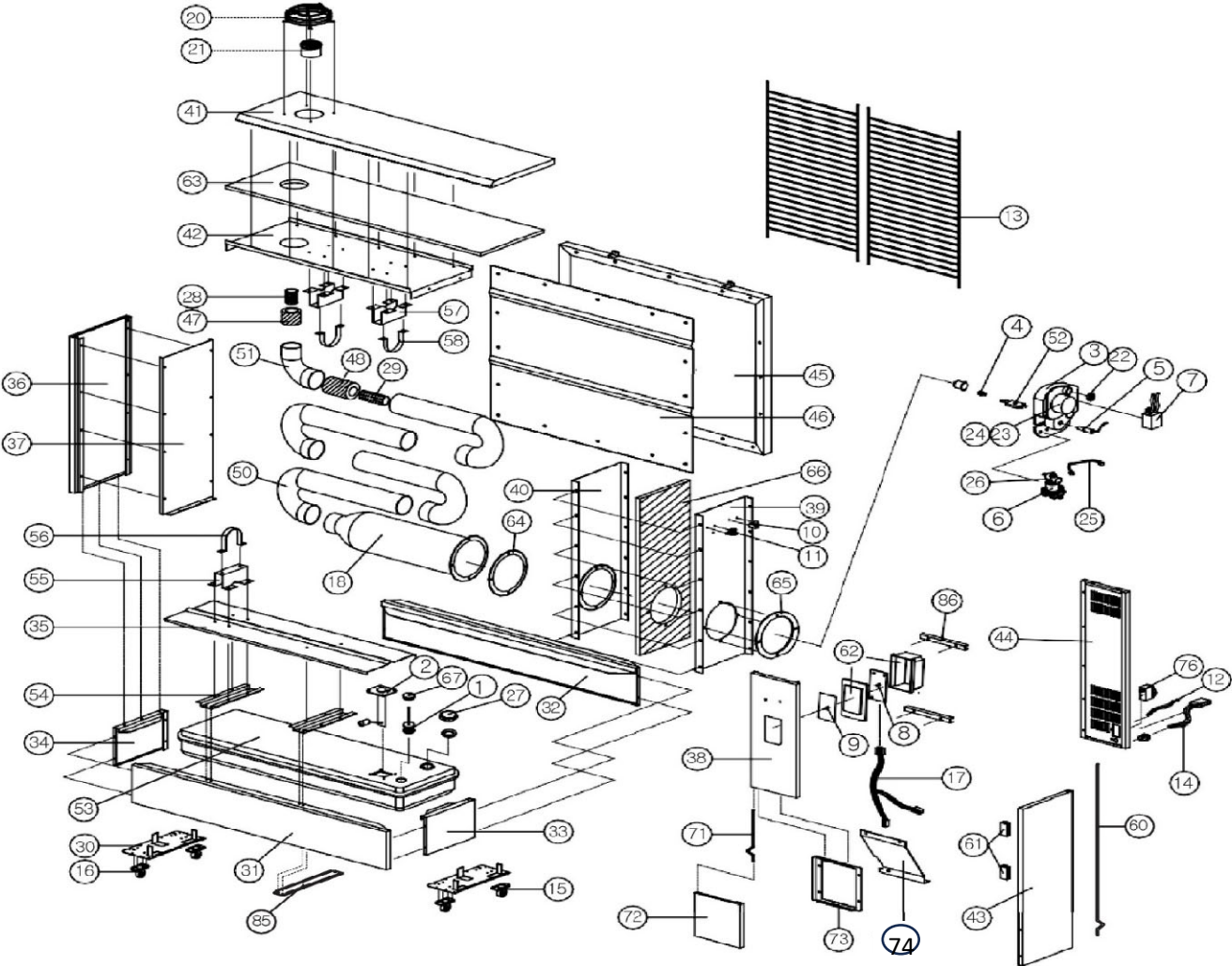
Type

◆ FIR1300 for 120V

March 2025

Shizuoka Seiki Co., Ltd.

FIR-1300



No.	Parts code	Part name	JSO code	Q'ty/ unit	1300 -A	Remarks
1	TKH080-001	Filter	VAL-TKH080-001	1	●	
1	TKH080-SS1	Filter only	VAL-TKH080-SS1	1	●	Not shown
2	TKH080-002	Fuel Gauge	VAL-TKH080-002	1	●	
3	TKH121-003	Burner	VAL-TKH121-003	1	●	
4	TKH121-004	Nozzle	VAL-TKH121-004	1	●	0.4G
5	TKH080-005	Photocell	VAL-TKH080-005	1	●	
6	TKH121-006	Pump	VAL-TKH121-006	1	●	
7	TKH080-007	Ignitor	VAL-TKH080-007	1	●	
8	TKH080-008(SS)	P.C.B	VAL-TKH080-008(SS)	1	●	No.8,9 & 62 being assembled, Not supplied individually
9	TKH080-009	Name Plate	VAL-TKH080-009	1	□	No.8,9 & 62 being assembled, Not supplied individually, See No.8
10	TKH080-010	Tip Over Switch	VAL-TKH080-010	1	N/A	till 2022 model, Mercury Type
10	TKH080-010-1	Tip Over Switch	VAL-TKH080-010A	1	●	from 2023 model, Ball Type
11	TKH080-011	Thermostat	VAL-TKH080-011	1	●	
12	TKH080-012	Thermistor	VAL-TKH080-012	1	●	
13	TKH121-013	Front Safety Wire	VAL-TKH121-013	1	●	
14	TKH080-014	Power code	VAL-TKH080-014	1	●	
15	TKH080-015	Caster (R/B)	VAL-TKH080-015	2	●	
16	TKH080-016	Caster (R)	VAL-TKH080-016	2	●	
17	TKH080-017	Read Wire	VAL-TKH080-017	1	N/A	1300-A: till 2022
17	TKH080-017-19	Read Wire	VAL-TKH080-017-19	1	●	1300-A: from 2023
18	TKH121-018	Combustion Chamber	VAL-TKH121-018	1	●	
19	TKH080-019	Airoutlet Gasket	VAL-TKH080-019	1	N/A	change to TKH120-019
19	TKH120-019	Airoutlet Gasket	VAL-TKH120-019	1	●	
20	TKH080-020(SS)	Exhaust Safety Wire	VAL-TKH080-020(SS)	1	●	
21	TKH080-021	Exhaust Cap	VAL-TKH080-021	1	●	
22	TKH080-022	Airoutlet	VAL-TKH080-022	1	N/A	1300-A&2000-A: till 2020
22	TKH121-022	Airoutlet	VAL-TKH121-022	1	●	1300-A:from 2021
23	TKH080-023	Fan	VAL-TKH080-023	1	●	
24	TKH080-024	Motor	VAL-TKH080-024	1	●	
25	TKH080-025	Oil Pipe	VAL-TKH080-025	4	●	
26	TKH080-026	Solenoid Valve	VAL-TKH080-026	1	●	
27	TKH080-027	Fuel Cap	VAL-TKH080-027	1	●	
28	TKH080-028	Silencer Pipe(S)	VAL-TKH080-028	2	●	
30	TKH080-030	Caster B/K	VAL-TKH080-030	2	●	
31	TKH120-031	Front Base	VAL-TKH120-031	1	●	rivet assembly
32	TKH120-032	Rear Base	VAL-TKH120-032	1	●	
33	TKH080-033	Right Base	VAL-TKH080-033	1	●	
34	TKH080-034	Left Base	VAL-TKH080-034	1	●	
35	TKH120-035	Bottom Reflector	VAL-TKH120-035	1	●	
36	TKH080-036	Left Cover	VAL-TKH080-036	1	●	
37	TKH080-037	Left Reflector	VAL-TKH080-037	1	●	
38	TKH120-038	Cont. Front Cover	VAL-TKH120-038	1	●	
39	TKH080-039	Burner Cover	VAL-TKH080-039	1	●	
40	TKH080-040	Right Reflector	VAL-TKH080-040	1	●	
41	TKH120-041	Top Cover	VAL-TKH120-041	1	●	
42	TKH120-042	Top Reflector	VAL-TKH120-042	1	●	

No.	Parts code	Part name	JSO code	Q'ty/ unit	1300 -A	Remarks
43	TKH080-043	Door	VAL-TKH080-043	1	●	
45	TKH120-045	Rear Cover	VAL-TKH120-045	1	●	
46	TKH120-046	Rear Reflector	VAL-TKH120-046	1	●	
47	TKH080-047	Silencer Wool(S)	VAL-TKH080-047	2	●	
48	TKH120-048	Silencer Wool(L)	VAL-TKH120-048	1	●	
50	TKH120-050	Tube J	VAL-TKH120-050	3	●	
51	TKH120-051	Tube L	VAL-TKH120-051	1	●	silver for 2000wood
52	TKH080-052	Spark plug	VAL-TKH080-052	1	●	
53	TKH120-053	Tank	VAL-TKH120-053	1	●	
54	TKH080-054	Tank Support B/K	VAL-TKH080-054	2	●	
55	TKH120-055	Combustion Support	VAL-TKH120-055	1	●	
56	TKH120-056	Combustion Bend	VAL-TKH120-056	1	●	
57	TKH120-057	Tube Support-B	VAL-TKH120-057	2	●	
58	TKH120-058	Tube Bend	VAL-TKH120-058	2	●	
60	TKH080-060	Door Pin	VAL-TKH080-060	1	●	
61	TKH080-061	Magnet	VAL-TKH080-061	2	●	
62	TKH100-062	Control Box	VAL-TKH100-062	1	□	
63	TKH120-063	Top Insulator	VAL-TKH120-063	1	●	
64	TKH080-064	Combustion Gasket	VAL-TKH080-064	1	●	
65	TKH080-065	Burner Gasket	VAL-TKH080-065	1	●	
66	TKH080-066	Right Insulator	VAL-TKH080-066	1	●	
67	TKH080-067	Filter Packing	VAL-TKH080-067	1	●	
71	TKH080-071	Front Door Pin	VAL-TKH080-071	1	●	
72	TKH100-072	Front Door	VAL-TKH100-072	1	●	
73	TKH100-073	Front Door Support	VAL-TKH100-073	1	●	
74	TKH100-074	Burner Divide Plate	VAL-TKH100-074	1	●	
85	TKH130-085	Base Bracket	VAL-TKH130-085	1	●	
86	TKH130-086	PCB Support	VAL-TKH130-086	1	●	