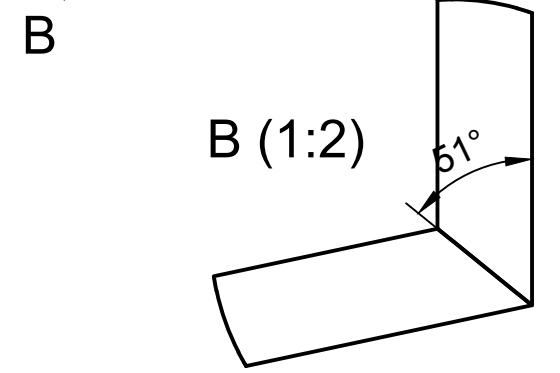
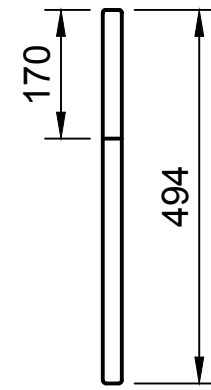
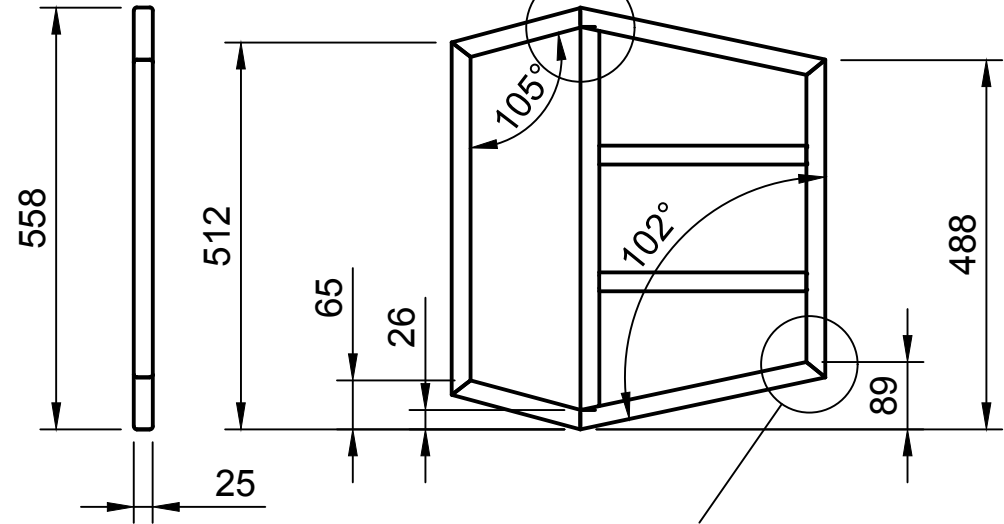
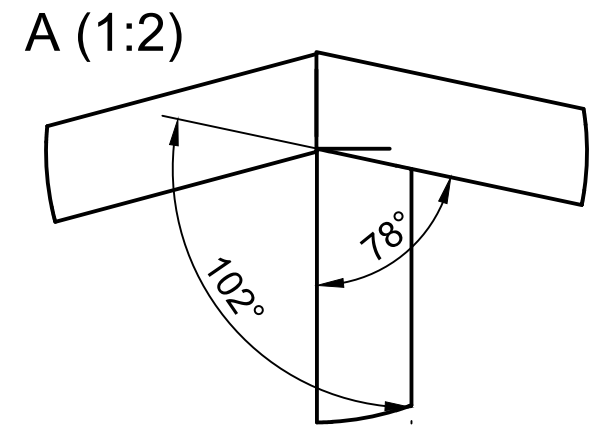
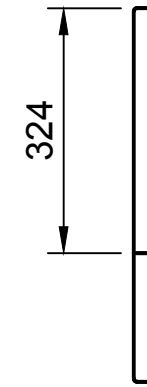
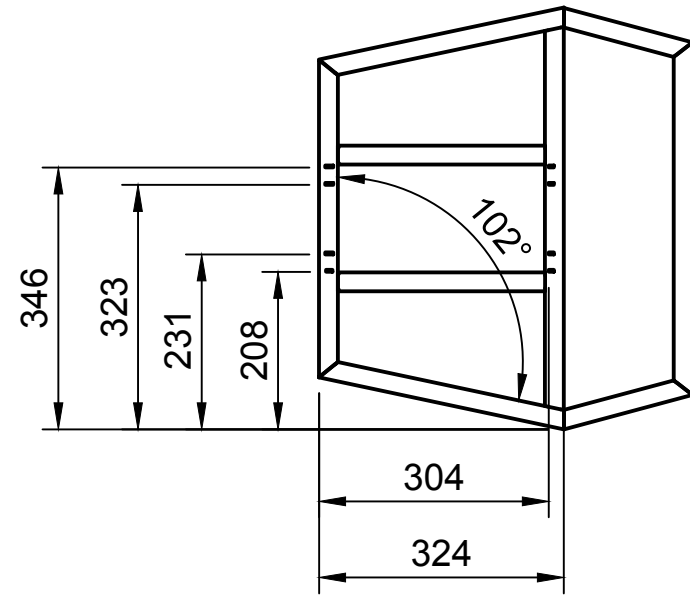
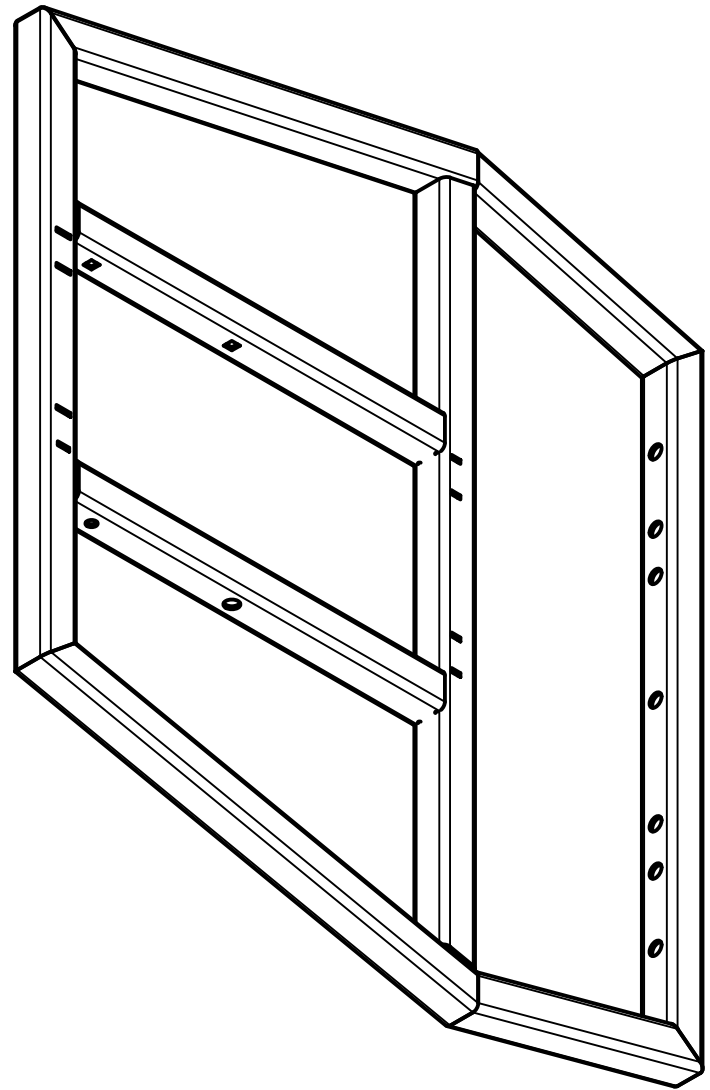


1 2 3 4 5 6 7 8

A
B
C
D
E
F



Dept.	Technical reference	Created by Cees Bak	30/09/2025	Approved by
		Document type	Document status	
		Title 13 fase-3-a achterwand frame	DWG No.	
Rev.	Date of issue	Sheet		1/1

1 2 3 4 5 6 7 8