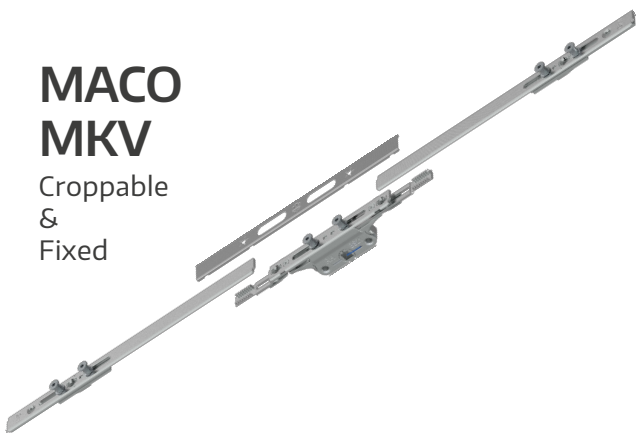




TECHNOLOGY IN MOTION

MACO MKV

Croppable
&
Fixed



Care and maintenance
instructions

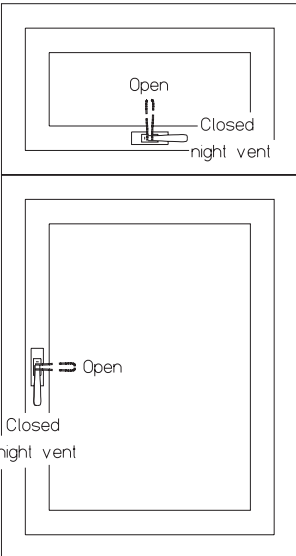


Advice on your windows

Your windows have been fitted with high quality MACO Espagnolette locking mechanisms. They are simple and easy to operate, however it is important that you read these instructions carefully to ensure that they are operated and maintained correctly. Do keep these instructions safe and at hand for future reference. Please ensure all users are made aware of this documents contents.

By following these guidelines you will ensure that your windows remain in good working order.

Operating Instructions



Push button on handle (if applicable) rotate handle 90 degrees and push window open. To close the window, pull the window closed and rotate the handle back through 90 degrees.

To locate the window in the night vent position, open the sash approximately 15mm and rotate the handle.

Please take care not to force the handle. Check for clashing and adjust the sash position accordingly

For security reasons it is advisable that windows are not left in the night vent position – when the room is left unoccupied.

Maintenance

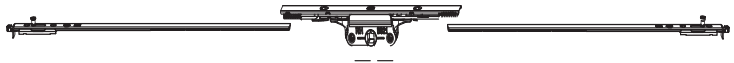
To ensure that your window espagnolettes function correctly, it is important that the following maintenance procedure is carried out at least once a year.

All fittings must be regularly inspected to ensure that they are firmly fixed. Where necessary fixing screws should be tightened by a suitably qualified person.

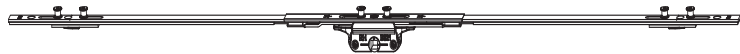
For all non MACO parts, such as, but not excluding, Handles, Friction Hinges etc, please seek manufactures guidance on maintenance Instructions.

We strictly advise against the use of substances such as WD40 on all MACO Hardware.

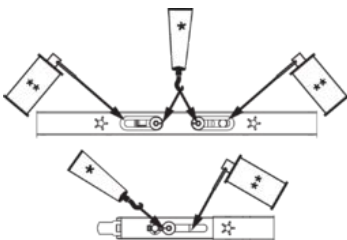
Croppable Espagnolette



Fixed Length Espagnolette



Telescopic Espagnolette

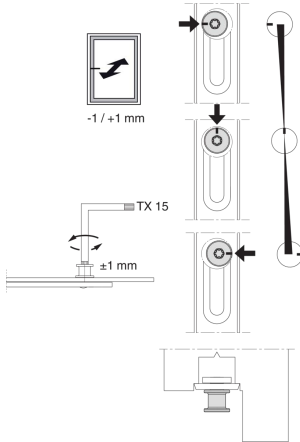


* Grease with acid free lubricant.
** Place a few drops of a light machine oil in all guide slots.

Adjusting the Espagnolette

The locking cams on the espagnolette are adjustable to allow the contact pressure between the sash and the frame to be altered.

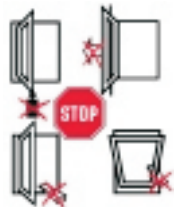
Mushroom cam adjustable with a TX15Tool



If the sash is clashing with the frame or striker plates, the window must be adjusted by a suitably qualified person.

User Information

- Do not apply additional loading to the sash.
- Do not force the sash past its opening edge.
- Do not wedge the sash open.



An injury can be caused if you place any part of your body in the opening between the sash and the frame.

Danger of falling out

Danger of being injured due to the effect of wind



MACO near you:
www.maco.eu/contact