

HOUSE OF ROHL

PRESENTS





HOUSE OF ROHL

PRESENTS

THE STORY OF A LIFE WELL CRAFTED™

We believe distinctive stories are what make life exceptional.

At House of Rohl®,
A portfolio of luxury décor brands,
We pursue the discovery of time-honored craft
That opens the door to stories unlike any other.

Stories of place and provenance.
Stories of dedication and passion.
Stories of artistry and heritage.

Through our collection of brands, you will find storied details that bring
endless curated design possibilities.
And the closer you look, the more you will see the details of your own story.

The story of a life well crafted.

Riobel

PERRIN & ROWE
LONDON



victoria + albert®

ROHL

Schaub

EMTEK

HOUSE OF ROHL.

PRESENTS



**HANDCRAFTED IN
ENGLAND FOR OVER
125 YEARS**

Since our founding in England in 1897, our fireclay sinks are finished by hand by a single master craftsman. Fired at higher temperatures, Shaws are still in use in 100-year-old English homes. Our classic and contemporary collections are forever timeless, and fit any decor. Shaws are for those who want to own an original.



TABLE OF CONTENTS—TAB GUIDE

THE PRICE BOOK IS DIVIDED INTO THREE COLOR-CODED SECTIONS

RESOURCES

Price book tools and resources can be found in the book, including Craft Process, finish chart, care and maintenance, etc.

RESOURCES

Handcrafted	A6	DécorXpress	A8	Finish Chart	A11	Care and Maintenance	36
Terms and Conditions	38	Warranty	40				

SINKS

Lancaster	2	Shaker	10	Specialty Sinks	20
---------------------------	-------------------	------------------------	--------------------	---------------------------------	--------------------

GALLERY BY SHAWS

Eucalyptus	28	Lines	30	Metallic	32	Patina	34
----------------------------	--------------------	-----------------------	--------------------	--------------------------	--------------------	------------------------	--------------------

PRODUCT GUIDE

PART	#PAGE	PART	#PAGE
733.	.8, 17, 24	SW734.	.7, 16, 24
735.	.8, 17, 24	UM1807	.4
736.	.8, 17, 24	UM2318	.12
738.	.8, 17, 24	UM3018	.12
744.	.9, 18, 25	WSG1515	.4
745.	.9, 18, 25	WSG1818	.5
BL2418.	.22	WSG2418	.5
BL3121	.22	WSG3017	.23
ISE10082	.8, 17, 25	WSG3018	.5
MS2418	.13	WSG3021	.23
MS3018	.14	WSG3318	.6, 13
MS3118	.15	WSG3618	.6
MS3318	.14	WSG3719	.7
MS3320	.15	WSG4019LG.	.7
MS3518	.16	WSG4019SM	.7
MS3618	.14	WSG6737	.4
MS3918	.16	WSGBL3121	.22
MSUM3318	.12	WSGMS2418	.13, 22
MSUM3318LD.	.13	WSGMS3018	.14
RB3118.	.23	WSGMS3118.	.15
RC1515.	.4	WSGMS3318	.14
RC1818.	.4	WSGMS3320	.15
RC2418	.5	WSGMS3518	.16
RC3017	.22	WSGMS3618	.15
RC3018	.5	WSGMS3918	.16
RC3021	.23	WSGMSUM3318LD.	.13
RC3318	.6	WSGRB3118	.23
RC3618	.6	WSGUM2318	.12
RC3719	.6	WSGUM3018	.12
RC4019	.7		



NOMENCLATURE

CODE EXAMPLES



SINK

BL 3121 WH
 ───┬──┬──┬──
 1 2 3

- 1 Collection abbreviation
- 2 Size of the sink
- 3 Finish choice



GALLERY BY SHAWS®

MS 3018 WH ECBS
 ───┬──┬──┬──┬──
 1 2 3 4

- 1 Collection abbreviation
- 2 Size of the sink
- 3 Finish choice
- 4 Complete your code by indicating the desired pattern and color.

FINISH AND PATTERN CODES

STANDARD FINISH



WH
White

EUCALYPTUS



ECBS
Blue/Silver

PATINA



PTBG
Blue/Gold



PTBS
Blue/Silver

LINES



LNGO
Gold



LNSI
Silver

METALLIC



MTGO
Gold



MTSI
Silver

WHAT MAKES SHAWS® SINKS UNIQUE



Single Master Craftsman

Each sink is handcrafted by a single master craftsman



Heavy Duty Fireclay

Sinks are made of the world's finest mixture of clay for extreme durability while providing larger interior dimensions than other sinks



2 Heavy Coats of Glaze

Sink walls are up to 2 inches thick with 2 heavy coatings

Strength and Durability



Finish products are strong, durable, impact and chip-resistant.



The clay is an entirely natural product, it is also completely recyclable.



Sinks are acid, alkali and bacteria resistant for easier cleaning.



Suitable for outside use in the extremes of temperature without cracking.



Limited lifetime warranty.



Waste disposal compatible, must use extended disposal flange.

CRAFT PROCESS

There is a 3-4 week process involved in making a Shaws heavy duty fireclay sink.



Mold making

Day 1 to 7

The skilled master mold maker pours plaster and makes the mold by hand.

The mold air dries before being hand fettled and finished.

It then spends approximately 60 hours being dried in a special conditioning room.

The mold is ready to use.



Fireclay

Day 3 to 7

The first blend of over 10 clays is mixed.

This clay blend rests for 24 hours.

A second blend of clay is mixed with the first.

This fireclay mix rests for 24 hours.

The fireclay is ready to use.



Casting & Fettling

Day 8 to 13

The liquid clay is poured into the mold.

The filled mold is allowed to rest.

The sink is removed, fettled/hand finished, then makers mark is applied before air drying for one day.

The sink is placed into a drying room at 90 °C (194 °F) for two days.



Glazing

Day 14 to 19

The sink cools before glazing.

The sink is first engobed and then allowed to dry for 12-24 hours.

The second coat of heavy glaze is hand sprayed.

The sink is inspected and the Shaws brand is applied.



Firing

Day 20 to 24

The sink is cleaned and loaded in the large gas kiln.

The sink is fired at 1180 °C (2156 °F) for two days.

Sink cools for one day.

The sink is inspected and carefully packed, ready for shipment.



LUXURY ACCELERATED

SHIPS WITHIN TWO BUSINESS DAYS

House of Rohl® is excited to launch DécorXpress. DécorXpress offers exclusive access to our top-selling world renowned collections. These select sinks now have unprecedented availability with an expected ship date of two business days.* This improved service level comes at no additional cost to you. Exclusions apply. Scan the QR Code above for details.

Now available for select Kitchen Sinks.

ELIGIBLE COLLECTIONS



LANCASTER™
Kitchen Sink | 2



SHAKER™
Kitchen Sink | 10

**After order finalization, unless ship date is specified by the customer. Excludes Gallery by Shaws® Sinks.*



SELF-SERVICE EXPANDED

WELCOME TO PORTAL

Our new self-service business site expands your capabilities with features to help you check inventory, view returns and see your order history with tracking details and more to help you manage your business efficiently.









Register at connect.houseofrohl.com

NEW SYSTEM CAPABILITIES INCLUDE

- Place new orders
- Submit new RGA request
- Check order status
- Check inventory
- Obtain order confirmations
- Integrated message area with robust editing tools for the system administration
- Get order shipment tracking details
- View and print packing slips
- Details on multi-ship orders
- Customer Administration roles by account for self-service user maintenance
- Search, view and track returns
- Download return authorization



FINISH CHART

		WH	APC	BS	SS	PN	STN	BK	BKS	MB	SEG	EG	VG	ULB*	IB	EB	TCB*
	8		•														
733																	
	7	•	•			•	•			•		•		•	•	•	•
SW734																	
	8	•		•		•	•	•	•	•	•	•		•	•	•	•
735																	
	8		•														
736																	
	8					•	•	•	•	•		•	•	•	•	•	•
738																	
	9	•	•			•	•		•	•	•	•			•	•	•
744																	
	9		•			•	•	•						•	•		
745																	
	8	•	•	•	•	•	•	•		•	•	•		•	•	•	•
ISE10082																	

* LIVING FINISH



LANCASTER™

This is the original, the one that's set the standard for all fireclay farmhouse sinks with the classic apron front design. The Lancaster is made by hand in the same way since 1897 and still in use today in 100-year old English homes. Named for the county of Lancashire, the region where Shaws® sinks are made, the Lancaster has thicker walls and a lustrous surface that's glazed not once, but twice. Durable, distinctive, authentic, the Lancaster is for those who seek an original and believe that making a statement is one they make for themselves.

FINISH OPTIONS



WH



GALLERY

SINK GRID



WH



SS

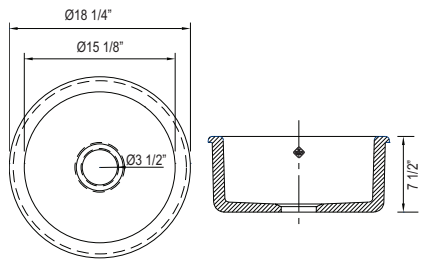
BAR/FOOD PREP SINKS

UM1807
[P.4](#)RC1515
[P.4](#)RC1818
[P.4](#)

KITCHEN APRON FRONT SINKS

RC2418
[P.5](#)RC3018
[P.5](#)RC3318
[P.6](#)RC3618
[P.6](#)RC3719
[P.6](#)RC4019
[P.7](#)

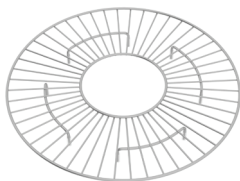
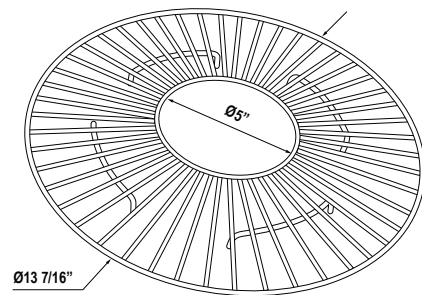
UM1807 Lancaster™ 18" Single Bowl Round Bar/ Food Prep Fireclay Kitchen Sink



UM1807	WH
	1458

- 21" (53.34 cm) minimum cabinet size
- Can be installed as an undermount or drop-in.
- Due to ±2% dimensions, it is recommended that the cabinet construction is finalized upon receipt of the sink. Please refer to the installation video in the Care & Maintenance tab.
- For matching wire sink grid, order WSG6737
- Basket strainer or extended disposal flange required for installation

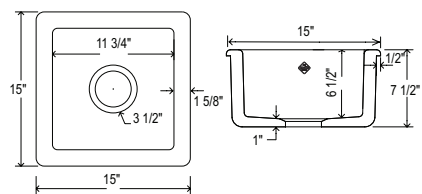
WSG6737 Wire Sink Grid For UM1807 Bar/Food Prep Kitchen Sinks



WSG6737	WH	SS
	248	248

- Minimizes scratches and wear on the bottom of the sink by creating a raised working surface

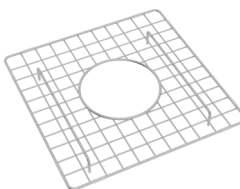
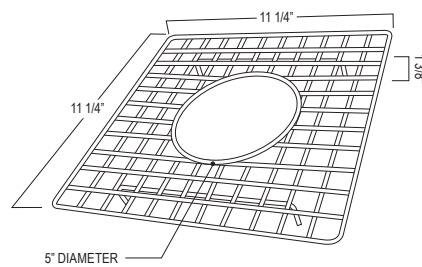
RC1515 Lancaster™ 15" Single Bowl Fireclay Bar/Food Prep Kitchen Sink



RC1515	WH
	1678

- 18" (45.72 cm) minimum cabinet size
- Can be installed as an undermount or drop-in.
- Due to ±2% dimensions, it is recommended that the cabinet construction is finalized upon receipt of the sink. Please refer to the installation video in the Care & Maintenance tab.
- For matching wire sink grid, order WSG1515
- Basket strainer or extended disposal flange required for installation

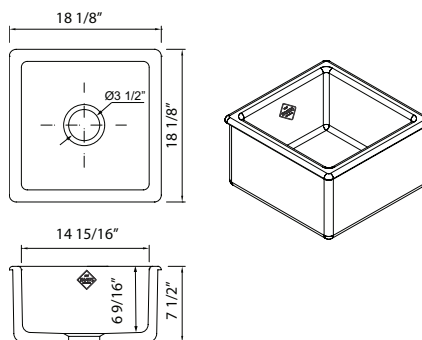
WSG1515 Wire Sink Grid For RC1515 Bar/Food Prep Kitchen Sink



WSG1515	WH	SS
	248	248

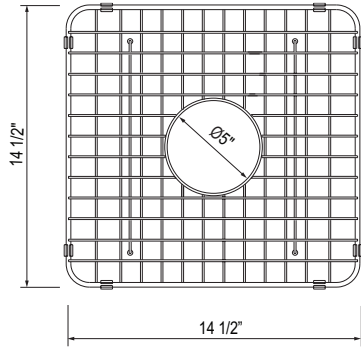
- Minimizes scratches and wear on the bottom of the sink by creating a raised working surface

RC1818 Lancaster™ 18" Single Bowl Square Fireclay Bar/Food Prep Kitchen Sink



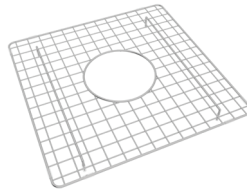
RC1818	WH
	1578

- 21" (53.34 cm) minimum cabinet size
- Can be installed as an undermount or drop-in.
- Due to ±2% dimensions, it is recommended that the cabinet construction is finalized upon receipt of the sink. Please refer to the installation video in the Care & Maintenance tab.
- For matching wire sink grid, order WSG1818
- Basket strainer or extended disposal flange required for installation

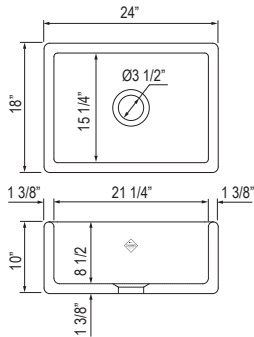


WSG1818 Wire Sink Grid For RC1818 Bar/Food Prep Kitchen Sink

	WH	SS
WSG1818	298	298



- Minimizes scratches and wear on the bottom of the sink by creating a raised working surface



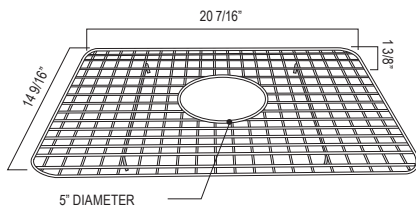
RC2418 Lancaster™ 24" Single Bowl Farmhouse Apron Front Fireclay Kitchen Sink

	WH
RC2418	2688

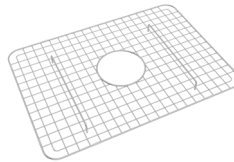


- 27" (67.31 cm) minimum cabinet size
- Basket strainer or extended disposal flange required for installation
- Due to ±2% dimensions, it is recommended that the cabinet construction is finalized upon receipt of the sink. Please refer to the installation video in the Care & Maintenance tab.
- For matching wire sink grid, order WSG2418

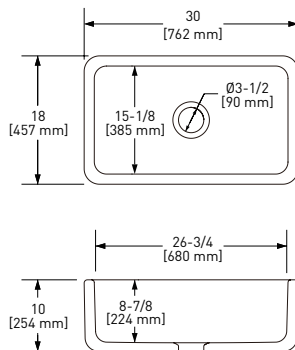
WSG2418 Wire Sink Grid For RC2418 Kitchen Sink



	WH	SS
WSG2418	308	308



- Minimizes scratches and wear on the bottom of the sink by creating a raised working surface



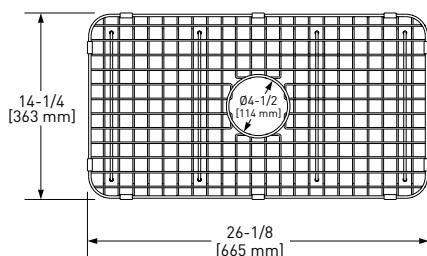
RC3018 Lancaster™ 30" Single Bowl Farmhouse Apron Front Fireclay Kitchen Sink

	WH
RC3018 -C	2718

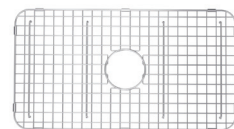


- 33" (83.82 cm) minimum cabinet size
- Basket strainer or extended disposal flange required for installation
- Due to ±2% dimensions, it is recommended that the cabinet construction is finalized upon receipt of the sink. Please refer to the installation video in the Care & Maintenance tab.
- Add artistic character to your white sink. See The Gallery by Shaws® tab.
- For matching wire sink grid, order WSG3018-C

WSG3018 Wire Sink Grid For RC3018-C Kitchen Sink

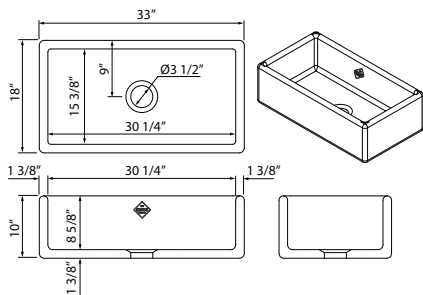


	WH	SS
WSG3018 -C	318	318



- Minimizes scratches and wear on the bottom of the sink by creating a raised working surface

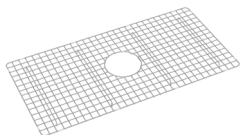
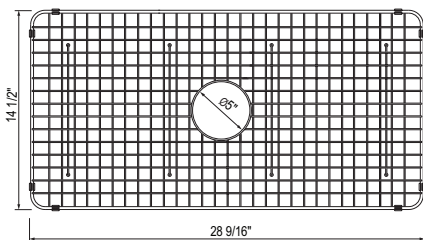
RC3318 Lancaster™ 33" Single Bowl Farmhouse Apron Front Fireclay Kitchen Sink



RC3318	WH	2938
--------	----	------

- 36" (91.44 cm) minimum cabinet size
- Basket strainer or extended disposal flange required for installation
- Due to ±2% dimensions, it is recommended that the cabinet construction is finalized upon receipt of the sink. Please refer to the installation video in the Care & Maintenance tab.
- Add artistic character to your white sink. See The Gallery by Shaws® tab.
- For matching wire sink grid, order WSG3318

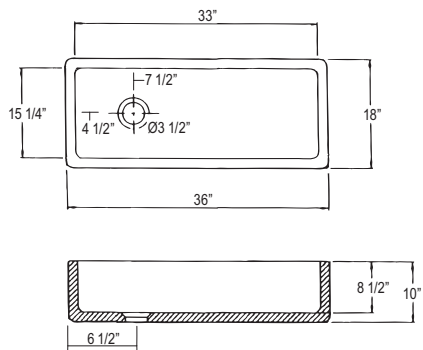
WSG3318 Wire Sink Grid For RC3318 Kitchen Sink



WSG3318	WH	308	SS	308
---------	----	-----	----	-----

- Minimizes scratches and wear on the bottom of the sink by creating a raised working surface

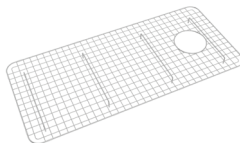
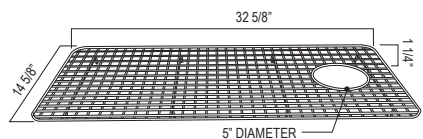
RC3618 Lancaster™ 36" Single Bowl Farmhouse Apron Front Fireclay Kitchen Sink



RC3618	WH	3288
--------	----	------

- 39" (99.06 cm) minimum cabinet size
- Reversible install
- Due to ±2% dimensions, it is recommended that the cabinet construction is finalized upon receipt of the sink. Please refer to the installation video in the Care & Maintenance tab.
- Add artistic character to your white sink. See The Gallery by Shaws® tab.
- For matching wire sink grid, order WSG3618
- Basket strainer or extended disposal flange required for installation
- The Gallery by Shaws® offering on this model is right drain only

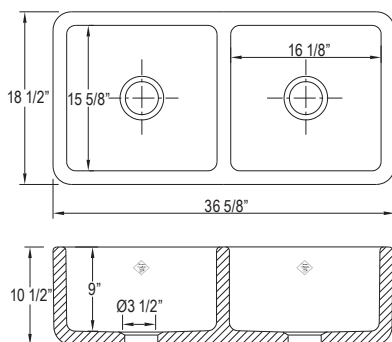
WSG3618 Wire Sink Grid For RC3618 Kitchen Sink



WSG3618	WH	498	SS	498
---------	----	-----	----	-----

- Minimizes scratches and wear on the bottom of the sink by creating a raised working surface

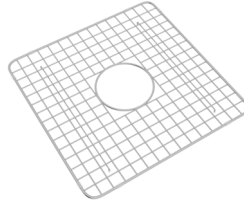
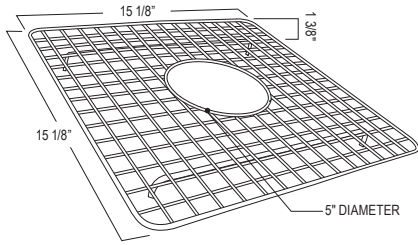
RC3719 Lancaster™ 37" Double Bowl Farmhouse Apron Front Fireclay Kitchen Sink



RC3719	WH	4468
--------	----	------

- 39" (99.06 cm) minimum cabinet size
- Basket strainer or extended disposal flange required for installation
- Due to ±2% dimensions, it is recommended that the cabinet construction is finalized upon receipt of the sink. Please refer to the installation video in the Care & Maintenance tab.
- 50/50 Double Bowl
- For matching wire sink grid, order WSG3719

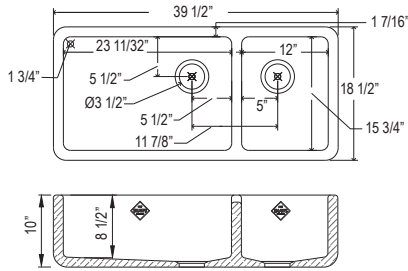
WSG3719 Wire Sink Grid For RC3719 Kitchen Sink



	WH	SS
WSG3719	308	308

- Minimizes scratches and wear on the bottom of the sink by creating a raised working surface
- The price includes only one grid. If you want one grid for each bowl, you must order 2.

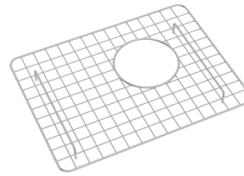
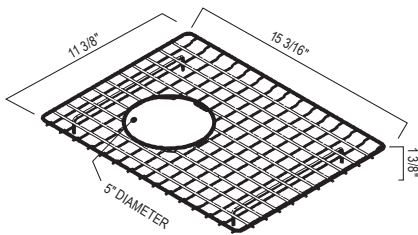
RC4019 Lancaster™ 40" Double Bowl Farmhouse Apron Front Fireclay Kitchen Sink



	WH
RC4019	5668

- 42" (106.68 cm) minimum cabinet size
- Basket strainer or extended disposal flange required for installation
- Due to ±2% dimensions, it is recommended that the cabinet construction is finalized upon receipt of the sink. Please refer to the installation video in the Care & Maintenance tab.
- 65/35 Double Bowl
- For matching wire sink grid, order WSG4019LG and WSG4019SM

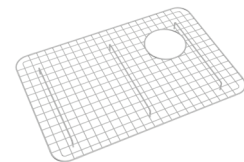
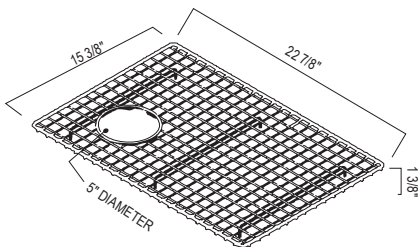
WSG4019SM Wire Sink Grid For RC4019 Kitchen Sinks Small Bowl



	WH	SS
WSG4019SM	328	328

- Minimizes scratches and wear on the bottom of the sink by creating a raised working surface

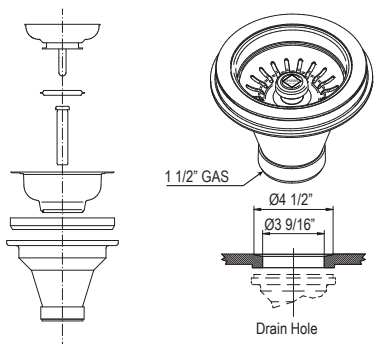
WSG4019LG Wire Sink Grid For RC4019 Kitchen Sinks Large Bowl



	WH	SS
WSG4019LG	457	457

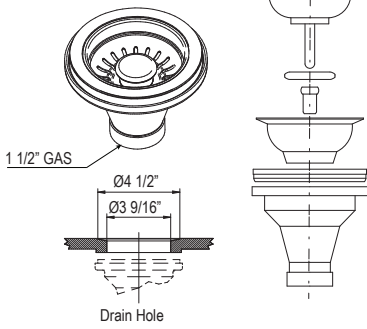
- Minimizes scratches and wear on the bottom of the sink by creating a raised working surface

SW734 Basket Strainer



	WH	APC	PN	STN	EG	ULB	IB	EB	TCB
SW734	208	208	281	281	312	312	312	312	312

- Fits standard 3 1/2" diameter drain openings
- Shaws® branding on knob
- Standard 1 1/2" male connection to drain plumbing
- Shorter mounting screws available for metal sinks, part #737SCREW23: \$53

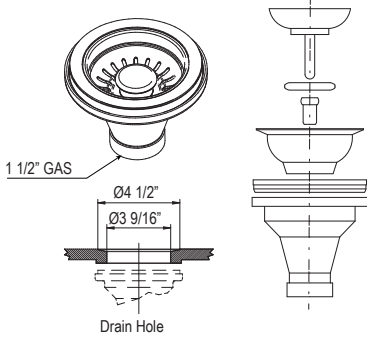


736 Basket Strainer

ROHL

736	APC
	188

- Fits standard 3 1/2" diameter drain openings
- Standard 1 1/2" male connection to drain plumbing
- Shorter mounting screws available for metal sinks, part #737SCREW23: \$53

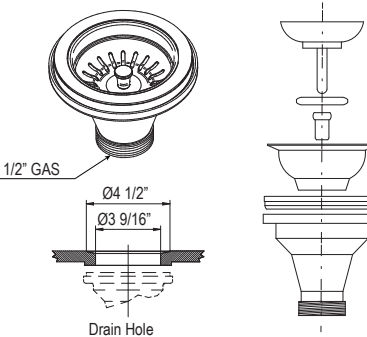


738 Basket Strainer

ROHL

	PN	STN	MB	BKS	EG	VG	ULB	IB	EB	TCB
738	254	254	254	348	348	282	348	348	348	348

- Fits standard 3 1/2" diameter drain openings
- Standard 1 1/2" male connection to drain plumbing
- Shorter mounting screws available for metal sinks, part #737SCREW23: \$53

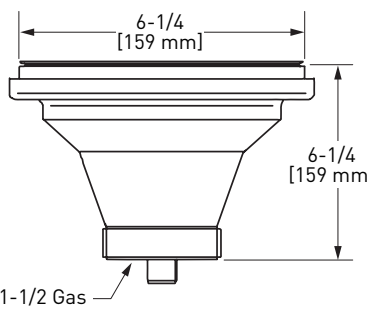


733 Basket Strainer

ROHL

733	APC
	138

- Fits standard 3 1/2" diameter drain openings
- Standard 1 1/2" male connection to drain plumbing
- Shorter mounting screws available for metal sinks, part #737SCREW23: \$53
- Perrin & Rowe Satin English Gold (SEG) finish complements Satin Brass (US4) finish



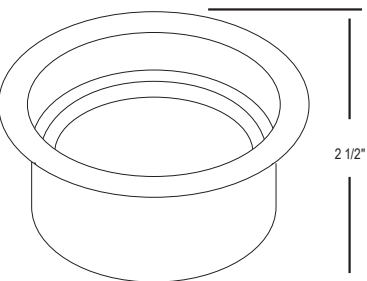
735 Basket Strainer

ROHL

	WH	PN	STN	MB	BK	BKS
735	218	295	295	295	295	327

	SEG	EG	ULB	IB	EB	TCB
735	327	327	327	327	295	218

- Fits standard 3 1/2" diameter drain openings
- Standard 1 1/2" male connection to drain plumbing
- Shorter mounting screws available for metal sinks, part #737SCREW23: \$53
- Perrin & Rowe Satin English Gold (SEG) finish complements Satin Brass (US4) finish



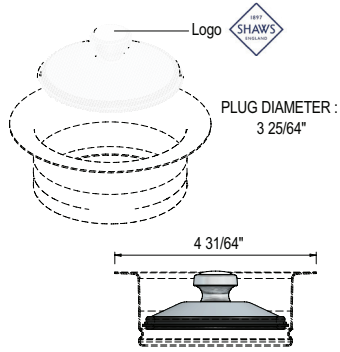
ISE10082 Extended Disposal Flange

	WH	APC	SS	PN	STN	BKS
ISE10082	308	308	416	416	416	462

	SEG	EG	ULB	IB	EB	TCB
ISE10082	462	462	462	462	308	308

- Not compatible with Waste King
- For use with 745 or 744 disposal stopper
- Fits standard 3 1/2" diameter drain openings



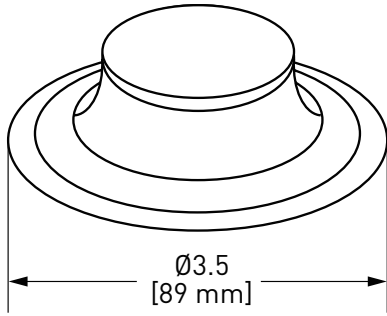


745 Disposal Stopper

	APC	PN	STN	ULB	IB
745	128	173	173	192	192



- For use with ISE10082 disposal flange
- Shaws® branding on knob
- Fits standard 3 1/2" diameter drain openings



744 Disposal Stopper

ROHL

	WH	APC	PN	STN	MB	BKS	SEG
744	188	188	254	254	254	282	282



	EG	AG	ULB	IB	EB	TCB
744	282	282	282	282	188	188

- For use with ISE10082 and 744 disposal flange
- Fits standard 3 1/2" diameter drain openings



SHAKER™

The Shaker apron front fireclay sink is a modern interpretation of the 1897 original. Named for the design movement that believed less is more, this Shaker farmhouse sink takes a minimalist approach. Instead of the iconic apron front with rounded corners, the Shaker has a clean, rectangular shape with squared-off sides and thinner walls for a slimmer, more minimal look. Durable and lustrous, its classic farmhouse roots and authenticity are always apparent. And like all Shaws sinks, the Shaker is made by hand to last a lifetime.

FINISH OPTIONS



WH

GALLERY

SINK GRID



WH

SS

SHAKER™

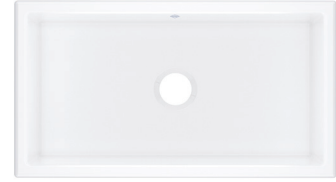
UNDERMOUNT SINKS



UM2318
[P.12](#)



UM3018
[P.12](#)



MSUM3318
[P.12](#)

KITCHEN APRON FRONT SINKS



MS2418
[P.13](#)



MS3018
[P.14](#)



MS3318
[P.14](#)



MS3618
[P.14](#)

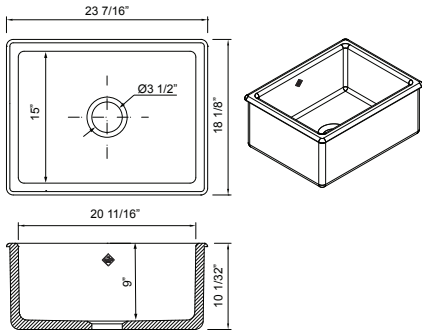


MS3118
[P.15](#)



MS3320
[P.15](#)

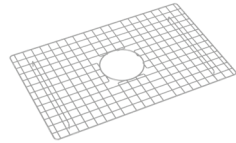
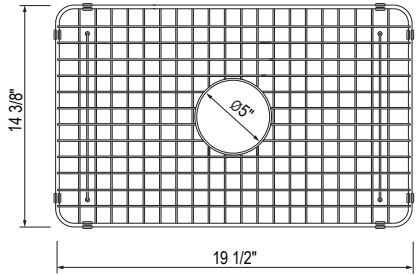
UM2318 Shaker™ 23" Single Bowl Undermount Or Drop-in Fireclay Kitchen Sink



UM2318	WH	1798
--------	----	------

- Can be installed as an undermount or drop-in to match your preferred design aesthetic
- 27" (65.58 cm) minimum cabinet size
- Due to ±2% dimensions, it is recommended that the cabinet construction is finalized upon receipt of the sink. Please refer to the installation video in the Care & Maintenance tab.
- For matching wire sink grid, order WSGUM2318
- Basket strainer or extended disposal flange required for installation

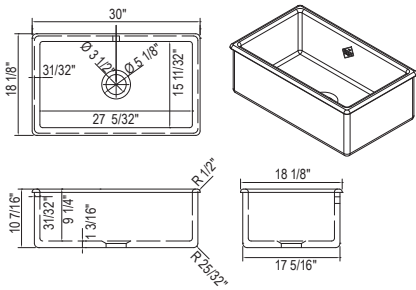
WSGUM2318 Wire Sink Grid For UM2318 Kitchen or Laundry Sink



WSGUM2318	WH	SS	308	308
-----------	----	----	-----	-----

- Minimizes scratches and wear on the bottom of the sink by creating a raised working surface

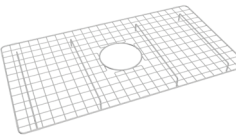
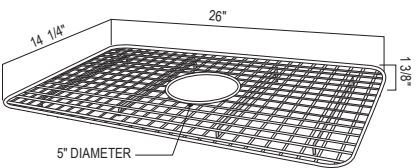
UM3018 Shaker™ 30" Single Bowl Undermount Fireclay Kitchen Sink



UM3018	WH	2398
--------	----	------

- Can be installed as an undermount or drop-in to match your preferred design aesthetic
- 33" (83.82 cm) minimum cabinet size
- Due to ±2% dimensions, it is recommended that the cabinet construction is finalized upon receipt of the sink. Please refer to the installation video in the Care & Maintenance tab.
- For matching wire sink grid, order WSGUM3018
- Basket strainer or extended disposal flange required for installation

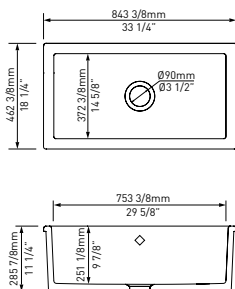
WSGUM3018 Wire Sink Grid For UM3018 Kitchen Sink



WSGUM3018	WH	SS	318	318
-----------	----	----	-----	-----

- Minimizes scratches and wear on the bottom of the sink by creating a raised working surface

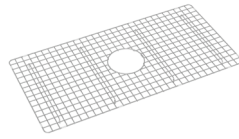
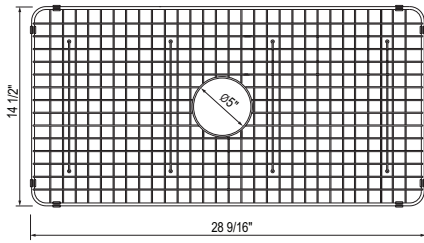
MSUM3318 Shaker™ 33" Single Bowl Undermount Fireclay Kitchen Sink



MSUM3318	WH	2538
----------	----	------

- 36" (91.44 cm) minimum cabinet size
- For undermount installation order optional QN36UM: \$191
- Due to ±2% dimensions, it is recommended that the cabinet construction is finalized upon receipt of the sink. Please refer to the installation video in the Care & Maintenance tab.
- For matching wire sink grid, order WSG3318
- Basket strainer or extended disposal flange required for installation

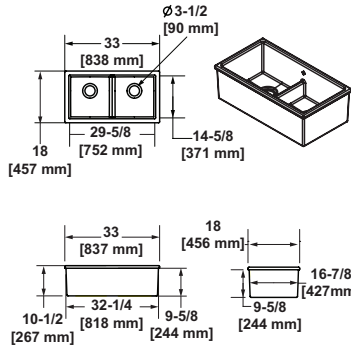
WSG3318 Wire Sink Grid For RC3318 Kitchen Sink



	WH	SS
WSG3318	308	308

- Minimizes scratches and wear on the bottom of the sink by creating a raised working surface

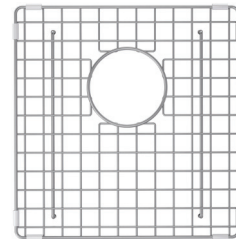
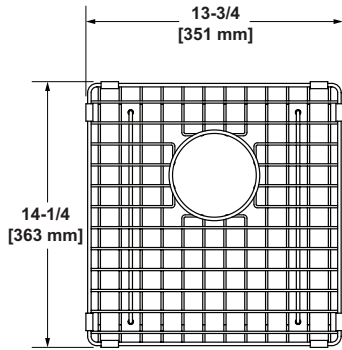
MSUM3318LD Shaker™ 33" Double Bowl Undermount Fireclay Kitchen Sink



	WH
MSUM3318LD	2658

- 36" (91.44 cm) minimum cabinet size
- 50/50 Double Bowl
- For undermount installation order optional QN36UM: \$191
- Due to ±2% dimensions, it is recommended that the cabinet construction is finalized upon receipt of the sink. Please refer to the installation video in the Care & Maintenance tab.
- For matching wire sink grid, order WSGMSUM3318LD
- Basket strainer or extended disposal flange required for installation

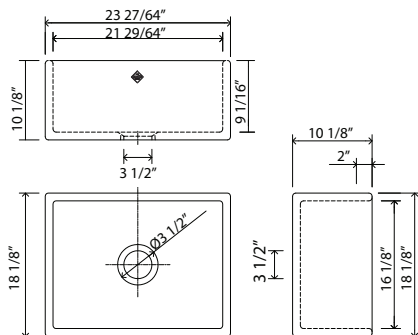
WSGMSUM3318LD Wire Sink Grid for MSUM3318LD Kitchen Sink



	WH	SS
WSGMSUM3318LD	328	328

- Minimizes scratches and wear on the bottom of the sink by creating a raised working surface
- The price includes only one grid. If you want one grid for each bowl, you must order 2.

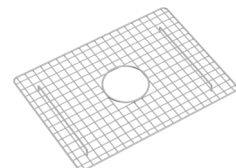
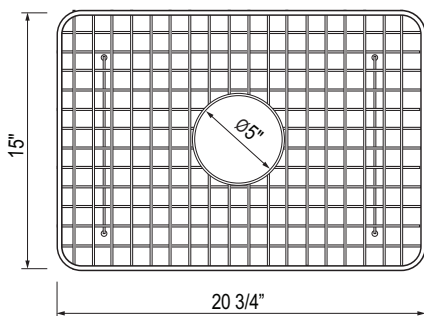
MS2418 Shaker™ 24" Single Bowl Farmhouse Apron Front Fireclay Kitchen Sink



	WH
MS2418	2338

- 27" (67.31 cm) minimum cabinet size
- Due to ±2% dimensions, it is recommended that the cabinet construction is finalized upon receipt of the sink. Please refer to the installation video in the Care & Maintenance tab.
- For matching wire sink grid order WSGMS2418
- Basket strainer or extended disposal flange required for installation

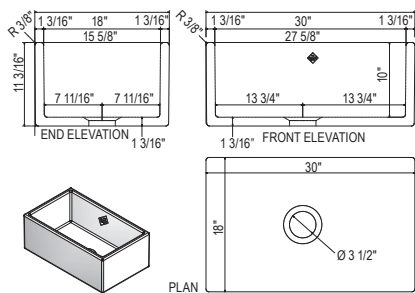
WSGMS2418 Wire Sink Grid For MS2418 & BL2418 Kitchen Sinks



	WH	SS
WSGMS2418	318	318

- Minimizes scratches and wear on the bottom of the sink by creating a raised working surface

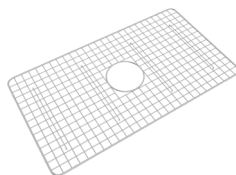
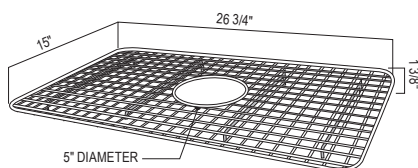
MS3018 Shaker™ 30" Single Bowl Farmhouse Apron Front Fireclay Kitchen Sink



MS3018	WH
	2578

- 33" (83.82 cm) minimum cabinet size
- Due to ±2% dimensions, it is recommended that the cabinet construction is finalized upon receipt of the sink. Please refer to the installation video in the Care & Maintenance tab.
- Add artistic character to your white sink. See The Gallery by Shaws® tab.
- For matching wire sink grid, order WSGMS3018
- Basket strainer or extended disposal flange required for installation

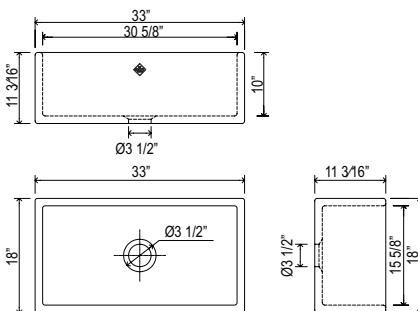
WSGMS3018 Wire Sink Grid For MS3018 Kitchen Sink



WSGMS3018	WH	SS
	318	318

- Minimizes scratches and wear on the bottom of the sink by creating a raised working surface

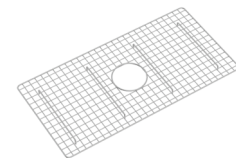
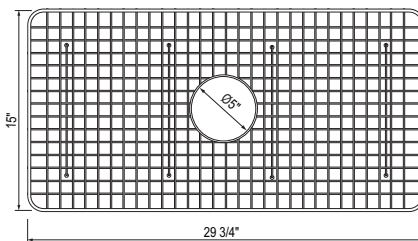
MS3318 Shaker™ 33" Single Bowl Farmhouse Apron Front Fireclay Kitchen Sink



MS3318	WH
	2628

- 36" (91.44 cm) minimum cabinet size
- Due to ±2% dimensions, it is recommended that the cabinet construction is finalized upon receipt of the sink. Please refer to the installation video in the Care & Maintenance tab.
- Add artistic character to your white sink. See The Gallery by Shaws® tab.
- For matching wire sink grid, order WSGMS3318
- Basket strainer or extended disposal flange required for installation

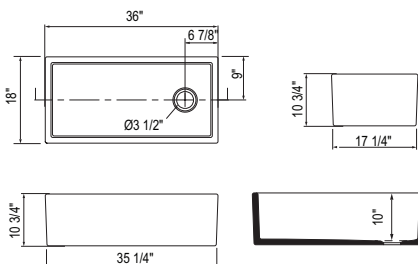
WSGMS3318 Wire Sink Grid For MS3318 Kitchen Sink



WSGMS3318	WH	SS
	334	334

- Minimizes scratches and wear on the bottom of the sink by creating a raised working surface

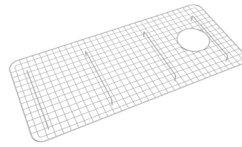
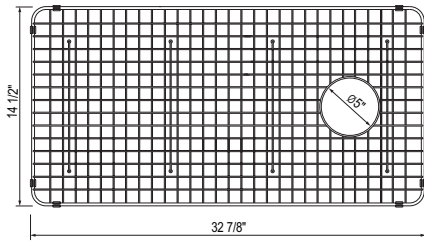
MS3618 Shaker™ 36" Single Bowl Farmhouse Apron Front Fireclay Kitchen Sink



MS3618	WH
	2718

- 39" (99.06 cm) minimum cabinet size
- Reversible install
- Due to ±2% dimensions, it is recommended that the cabinet construction is finalized upon receipt of the sink. Please refer to the installation video in the Care & Maintenance tab.
- Add artistic character to your white sink. See The Gallery by Shaws® tab.
- For matching wire sink grid, order WSGMS3618
- Basket strainer or extended disposal flange required for installation
- The Gallery by Shaws® offering on this model is right drain only

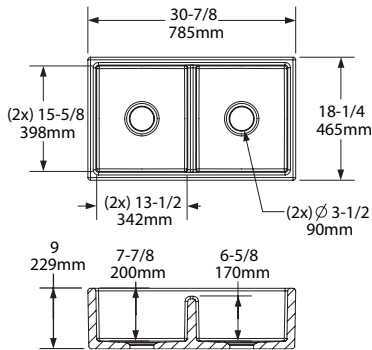
WSGMS3618 Wire Sink Grid for MS3618 Kitchen Sink



Model	WH	SS
WSGMS3618	408	408

- Minimizes scratches and wear on the bottom of the sink by creating a raised working surface

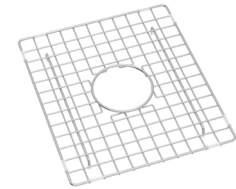
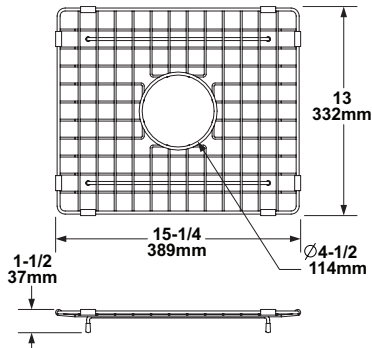
MS3118 Shaker™ 31" Low Divide Double Bowl Apron Front Fireclay Kitchen Sink



Model	WH
MS3118	3348

- 34" (86.36) minimum cabinet size
- Due to ±2% dimensions, it is recommended that the cabinet construction is finalized upon receipt of the sink. Please refer to the installation video in the Care & Maintenance tab.
- For matching wire sink grid, order WSGMS3118
- Basket strainer or extended disposal flange required for installation

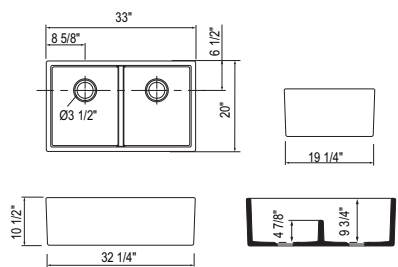
WSGMS3118 Wire Sink Grid for MS3118 Kitchen Sink



Model	SS
WSGMS3118	318

- Minimizes scratches and wear on the bottom of the sink by creating a raised working surface
- The price includes only one grid. If you want one grid for each bowl, you must order 2.

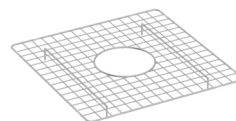
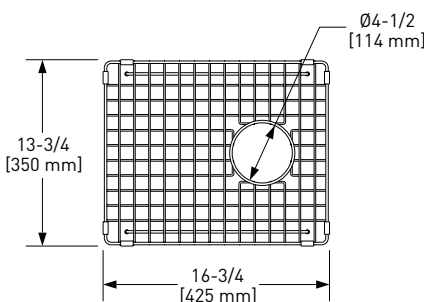
MS3320 Shaker™ 33" Low Divide Double Bowl Apron Front Fireclay Kitchen Sink



Model	WH
MS3320	3398

- 36" (91.44 cm) minimum cabinet size
- Due to ±2% dimensions, it is recommended that the cabinet construction is finalized upon receipt of the sink. Please refer to the installation video in the Care & Maintenance tab.
- For matching wire sink grid, order WSG3320
- Basket strainer or extended disposal flange required for installation

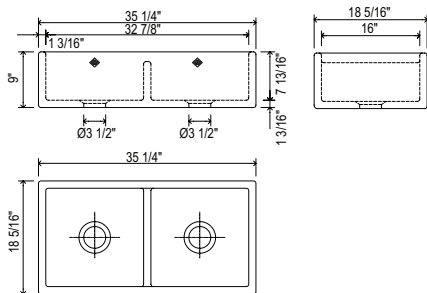
WSGMS3320 Wire Sink Grid for MS3320 Kitchen Sink



Model	WH	SS
WSGMS3320	318	318

- Minimizes scratches and wear on the bottom of the sink by creating a raised working surface
- The price includes only one grid. If you want one grid for each bowl, you must order 2.

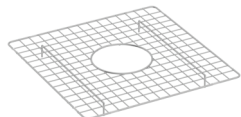
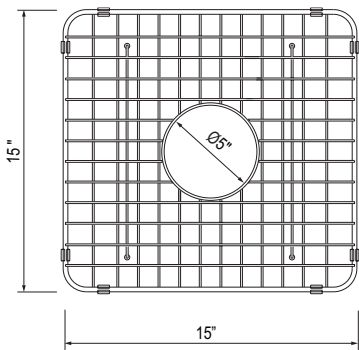
MS3518 Shaker™ 35" Double Bowl Farmhouse Apron Front Fireclay Kitchen Sink



MS3518	WH	3788
--------	----	------

- 39" (99.06 cm) minimum cabinet size
- 50/50 Double Bowl
- Due to ±2% dimensions, it is recommended that the cabinet construction is finalized upon receipt of the sink. Please refer to the installation video in the Care & Maintenance tab.
- For matching wire sink grid, order WSGMS3518
- Basket strainer or extended disposal flange required for installation

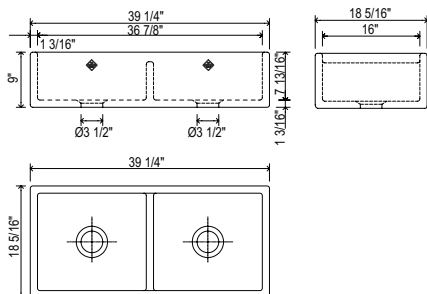
WSGMS3518 Wire Sink Grid for MS3518 Kitchen Sink



WSGMS3518	WH	278	SS	278
-----------	----	-----	----	-----

- Minimizes scratches and wear on the bottom of the sink by creating a raised working surface
- The price includes only one grid. If you want one grid for each bowl, you must order 2.

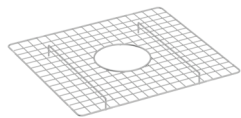
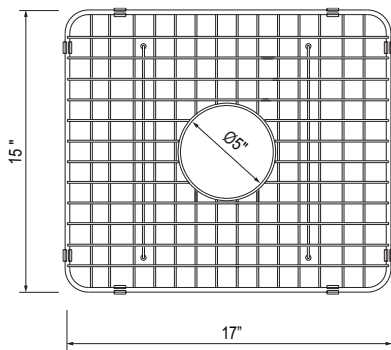
MS3918 Shaker™ 39" Double Bowl Farmhouse Apron Front Fireclay Kitchen Sink



MS3918	WH	4217
--------	----	------

- 42" (106.68 cm) minimum cabinet size
- 50/50 Double Bowl
- Due to ±2% dimensions, it is recommended that the cabinet construction is finalized upon receipt of the sink. Please refer to the installation video in the Care & Maintenance tab.
- For matching wire sink grid, order WSGMS3918
- Basket strainer or extended disposal flange required for installation

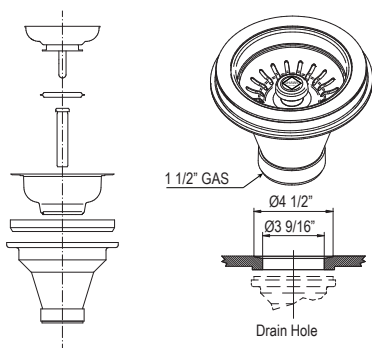
WSGMS3918 Wire Sink Grid for MS3918 Kitchen Sink



WSGMS3918	WH	298	SS	298
-----------	----	-----	----	-----

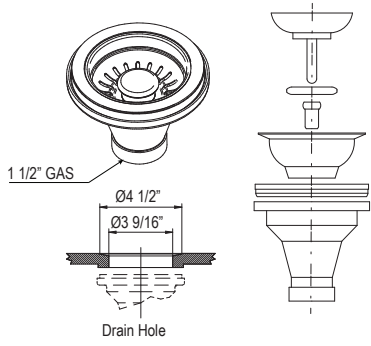
- Minimizes scratches and wear on the bottom of the sink by creating a raised working surface
- The price includes only one grid. If you want one grid for each bowl, you must order 2.

SW734 Basket Strainer



SW734	WH	208	APC	208	PN	281	STN	281	EG	312	ULB	312	IB	312	EB	312	TCB	312
-------	----	-----	-----	-----	----	-----	-----	-----	----	-----	-----	-----	----	-----	----	-----	-----	-----

- Fits standard 3 1/2" diameter drain openings
- Shaws® branding on knob
- Standard 1 1/2" male connection to drain plumbing
- Shorter mounting screws available for metal sinks, part #737SCREW23: \$53



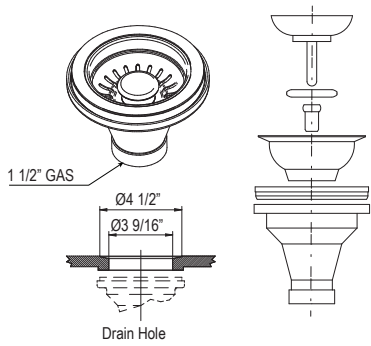
736 Basket Strainer

ROHL

736	APC	188
-----	-----	-----



- Fits standard 3 1/2" diameter drain openings
- Standard 1 1/2" male connection to drain plumbing
- Shorter mounting screws available for metal sinks, part #737SCREW23: \$53



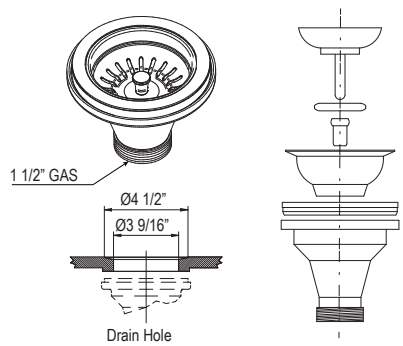
738 Basket Strainer

ROHL

	PN	STN	MB	BKS	EG	VG	ULB	IB	EB	TCB
738	254	254	254	348	348	282	348	348	348	348



- Fits standard 3 1/2" diameter drain openings
- Standard 1 1/2" male connection to drain plumbing
- Shorter mounting screws available for metal sinks, part #737SCREW23: \$53



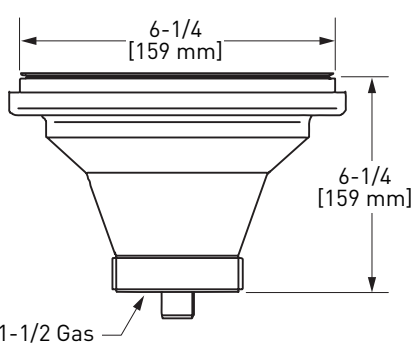
733 Basket Strainer

ROHL

733	APC	138
-----	-----	-----



- Fits standard 3 1/2" diameter drain openings
- Standard 1 1/2" male connection to drain plumbing
- Shorter mounting screws available for metal sinks, part #737SCREW23: \$53
- Perrin & Rowe Satin English Gold (SEG) finish complements Satin Brass (US4) finish



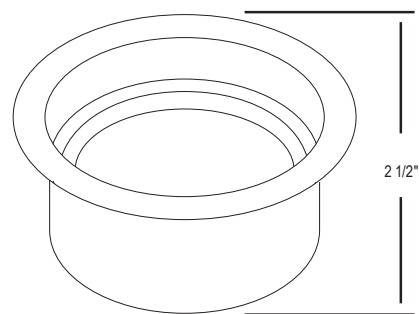
735 Basket Strainer

ROHL

	WH	PN	STN	MB	BK	BKS
735	218	295	295	295	295	327
	SEG	EG	ULB	IB	EB	TCB
735	327	327	327	327	295	218



- Fits standard 3 1/2" diameter drain openings
- Standard 1 1/2" male connection to drain plumbing
- Shorter mounting screws available for metal sinks, part #737SCREW23: \$53
- Perrin & Rowe Satin English Gold (SEG) finish complements Satin Brass (US4) finish



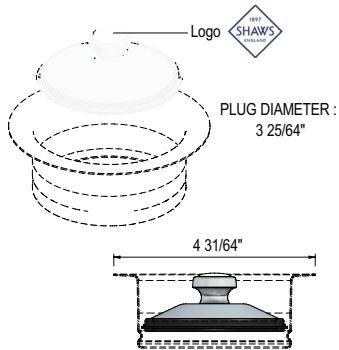
ISE10082 Extended Disposal Flange

	WH	APC	SS	PN	STN	BKS
ISE10082	308	308	416	416	416	462



	SEG	EG	ULB	IB	EB	TCB
ISE10082	462	462	462	462	308	308

- Not compatible with Waste King
- For use with 745 or 744 disposal stopper
- Fits standard 3 1/2" diameter drain openings

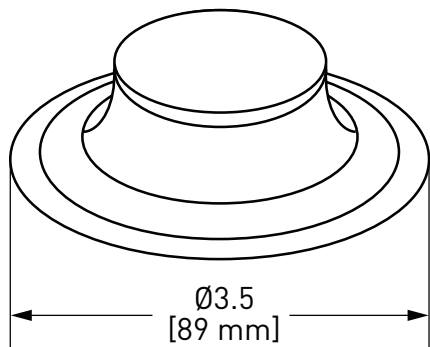


745 Disposal Stopper

	APC	PN	STN	ULB	IB
745	128	173	173	192	192



- For use with ISE10082 disposal flange
- Shaws® branding on knob
- Fits standard 3 1/2" diameter drain openings



744 Disposal Stopper

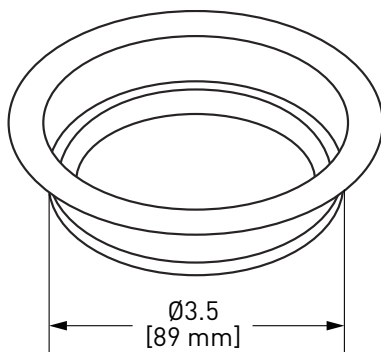
ROHL

	WH	APC	PN	STN	MB	BKS	SEG
744	188	188	254	254	254	282	282



	EG	AG	ULB	IB	EB	TCB
744	282	282	282	282	188	188

- For use with ISE10082 and 744 disposal flange
- Fits standard 3 1/2" diameter drain openings



743 Disposal Flange

	WH	BS	APC	SEG	PN	STN	MB	BK
743	228	228	228	342	308	308	308	308



	BKS	EG	AG	VG	ULB	IB	EB	TCB
743	342	342	342	342	342	342	342	342

- Not compatible with Waste King
- For use with 744 disposal stopper
- Fits standard 3 1/2" diameter drain openings



HANDCRAFTED

DÉCOREXPRESS

FINISH CHART

LANCASTER

SHAKER

SPECIALTY SINKS

GALLERY BY SHAW'S

CARE & MAINTENANCE

TERMS & CONDITIONS



SPECIALTY SINKS

Explore our exquisite specialty sinks, meticulously crafted to elevate your kitchen design. These unique sinks seamlessly blend clean lines and thoughtful design, making a strong presence while enhancing your daily culinary experience. Each sink embodies elegance, functionality, and durability – a perfect fusion of style and practicality.

FINISH



WH

SINK GRID



WH



SS

SPECIALTY SINKS

KITCHEN APRON FRONT SINKS



BL2418
[P.22](#)



BL3121
[P.22](#)



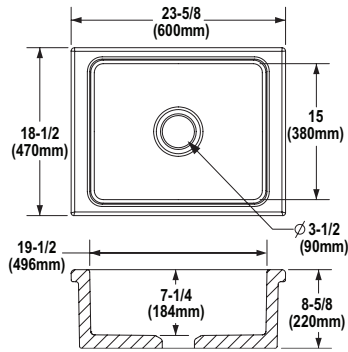
RC3017
[P.22](#)



RB3118
[P.23](#)



RC3021
[P.23](#)



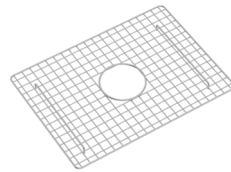
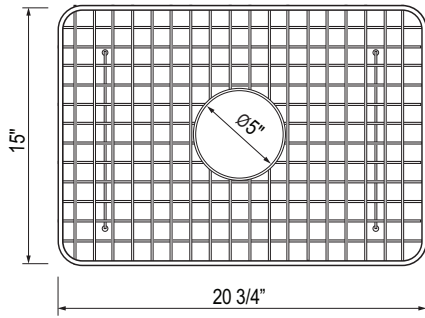
BL2418 24" Bowland Single Bowl Apron Front Fireclay Kitchen Sink



BL2418	WH	3228
--------	----	------

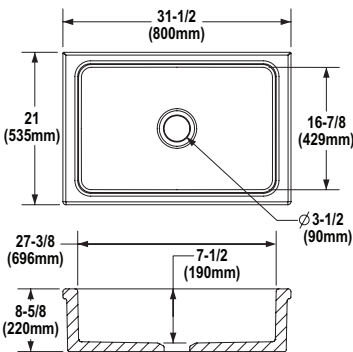
- 26" (66.04 cm) minimum cabinet size
- Due to ±2% dimensions, it is recommended that the cabinet construction is finalized upon receipt of the sink: no template available.
- For matching wire sink grid order WSGMS2418
- Basket strainer or extended disposal flange required for installation

WSGMS2418 Wire Sink Grid For MS2418 & BL2418 Kitchen Sinks



WSGMS2418	WH	SS	318	318
-----------	----	----	-----	-----

- Minimizes scratches and wear on the bottom of the sink by creating a raised working surface



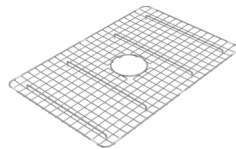
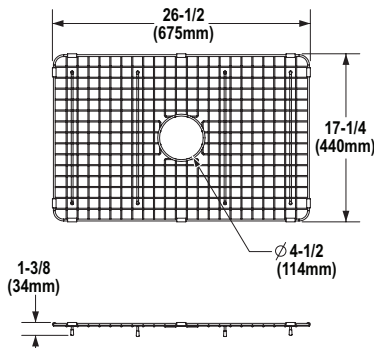
BL3121 31" Bowland Single Bowl Apron Front Fireclay Kitchen Sink



BL3121	WH	3338
--------	----	------

- 34" (86.36 cm) minimum cabinet size
- Due to ±2% dimensions, it is recommended that the cabinet construction is finalized upon receipt of the sink: no template available.
- For matching wire sink grid order WSGBL3121
- Basket strainer or extended disposal flange required for installation

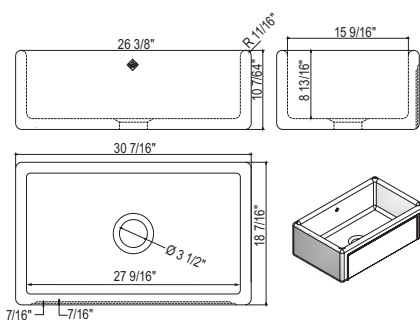
WSGBL3121 Wire Sink Grid for BL3121 Kitchen Sink



WSGBL3121	SS	349
-----------	----	-----

- Minimizes scratches and wear on the bottom of the sink by creating a raised working surface

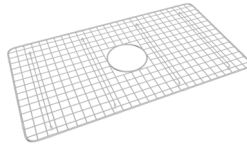
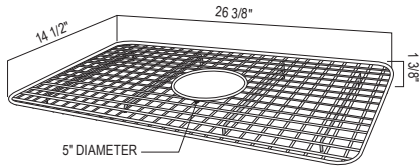
RC3017 Egerton™ 30" Single Bowl Farmhouse Apron Front Fireclay Kitchen Sink



RC3017	WH	3168
--------	----	------

- 33" (83.82 cm) minimum cabinet size
- Basket strainer or extended disposal flange required for installation
- Due to ±2% dimensions, it is recommended that the cabinet construction is finalized upon receipt of the sink. Please refer to the installation video in the Care & Maintenance tab.
- For matching wire sink grid, order WSG3017

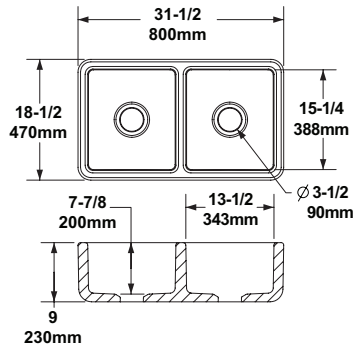
WSG3017 Wire Sink Grid For RC3017 Kitchen Sink



WSG3017	WH	SS
	318	318

- Minimizes scratches and wear on the bottom of the sink by creating a raised working surface

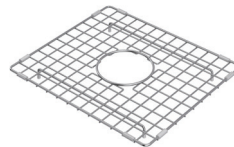
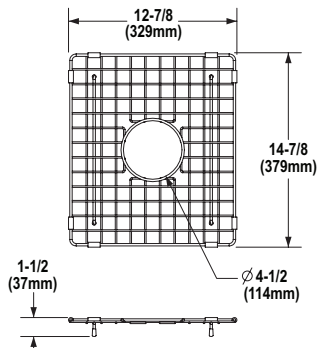
RB3118 31" Ribchester Double Bowl Apron Front Fireclay Kitchen Sink



RB3118	WH
	3758

- 34" (86.36 cm) minimum cabinet size
- Due to ±2% dimensions, it is recommended that the cabinet construction is finalized upon receipt of the sink. Please refer to the installation video in the Care & Maintenance tab.
- For matching wire sink grid, order WSGMS3118
- Basket strainer or extended disposal flange required for installation

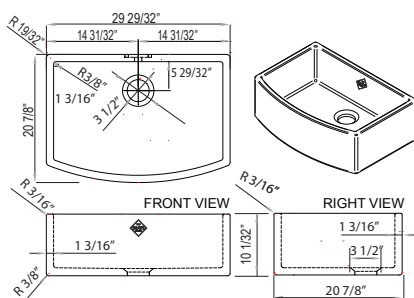
WSGRB3118 Wire Sink Grid for RB3118 Kitchen Sink



WSGRB3118	SS
	318

- Minimizes scratches and wear on the bottom of the sink by creating a raised working surface
- The price includes only one grid. If you want one grid for each bowl, you must order 2.

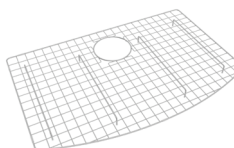
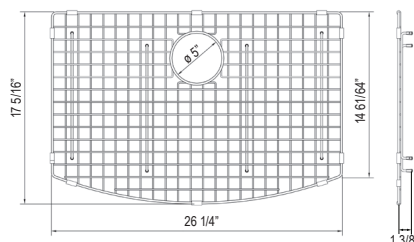
RC3021 Waterside™ 30" Single Bowl Farmhouse Bowed Apron Front Fireclay Kitchen Sink



RC3021	WH
	2798

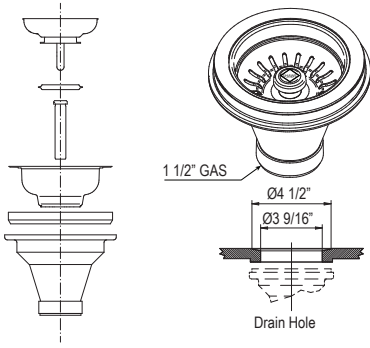
- 33" (83.82 cm) minimum cabinet size
- Basket strainer or extended disposal flange required for installation
- Due to ±2% dimensions, it is recommended that the cabinet construction is finalized upon receipt of the sink. Please refer to the installation video in the Care & Maintenance tab.
- For matching wire sink grid, order WSG3021

WSG3021 Wire Sink Grid For RC3021 Kitchen Sink



WSG3021	WH	SS
	318	318

- Minimizes scratches and wear on the bottom of the sink by creating a raised working surface

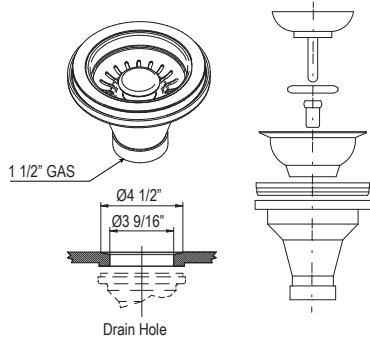


SW734 Basket Strainer

	WH	APC	PN	STN	EG	ULB	IB	EB	TCB
SW734	208	208	281	281	312	312	312	312	312



- Fits standard 3 1/2" diameter drain openings
- Shaws® branding on knob
- Standard 1 1/2" male connection to drain plumbing
- Shorter mounting screws available for metal sinks, part #737SCREW23: \$53



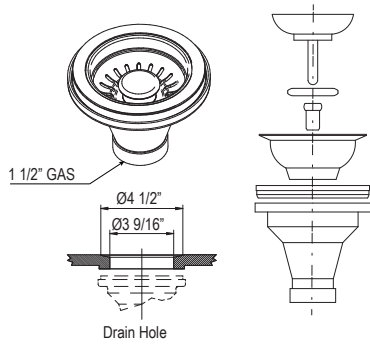
736 Basket Strainer

ROHL

	APC
736	188



- Fits standard 3 1/2" diameter drain openings
- Standard 1 1/2" male connection to drain plumbing
- Shorter mounting screws available for metal sinks, part #737SCREW23: \$53



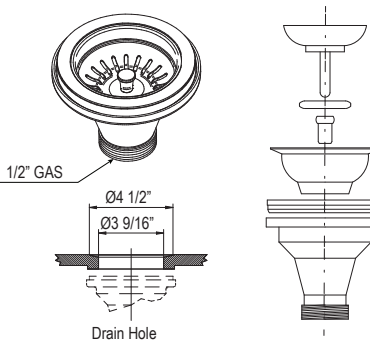
738 Basket Strainer

ROHL

	PN	STN	MB	BKS	EG	VG	ULB	IB	EB	TCB
738	254	254	254	348	348	282	348	348	348	348



- Fits standard 3 1/2" diameter drain openings
- Standard 1 1/2" male connection to drain plumbing
- Shorter mounting screws available for metal sinks, part #737SCREW23: \$53



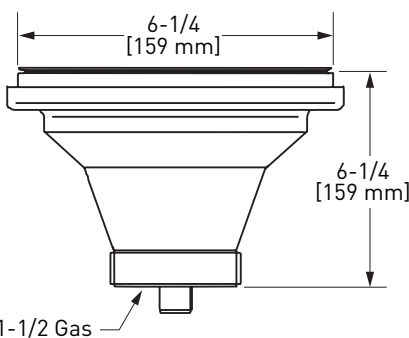
733 Basket Strainer

ROHL

	APC
733	138



- Fits standard 3 1/2" diameter drain openings
- Standard 1 1/2" male connection to drain plumbing
- Shorter mounting screws available for metal sinks, part #737SCREW23: \$53
- Perrin & Rowe Satin English Gold (SEG) finish complements Satin Brass (US4) finish



735 Basket Strainer

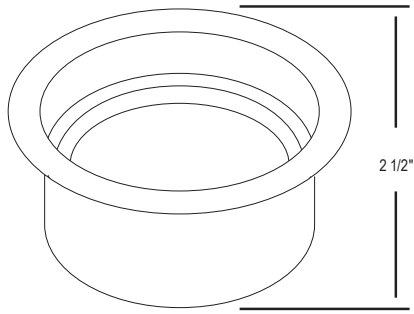
ROHL

	WH	PN	STN	MB	BK	BKS
735	218	295	295	295	295	327



	SEG	EG	ULB	IB	EB	TCB
735	327	327	327	327	295	218

- Fits standard 3 1/2" diameter drain openings
- Standard 1 1/2" male connection to drain plumbing
- Shorter mounting screws available for metal sinks, part #737SCREW23: \$53
- Perrin & Rowe Satin English Gold (SEG) finish complements Satin Brass (US4) finish

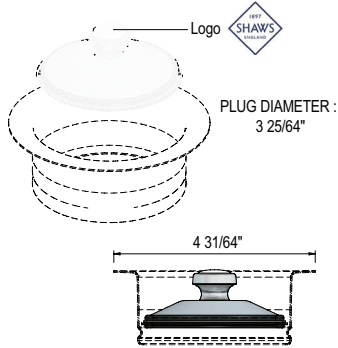


ISE10082 Extended Disposal Flange



	WH	APC	SS	PN	STN	BKS
ISE10082	308	308	416	416	416	462
	SEG	EG	ULB	IB	EB	TCB
ISE10082	462	462	462	462	308	308

- Not compatible with Waste King
- For use with 745 or 744 disposal stopper
- Fits standard 3 1/2" diameter drain openings

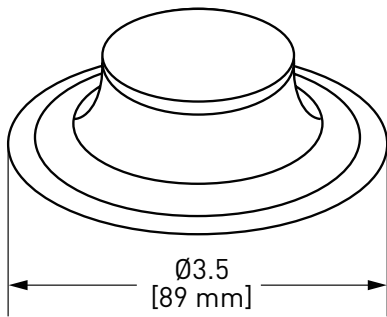


745 Disposal Stopper



	APC	PN	STN	ULB	IB
745	128	173	173	192	192

- For use with ISE10082 disposal flange
- Shaws® branding on knob
- Fits standard 3 1/2" diameter drain openings

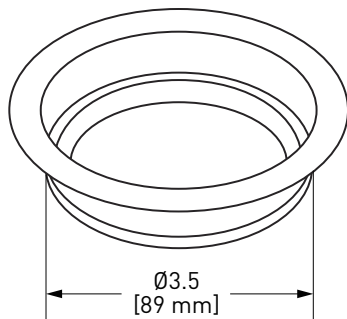


744 Disposal Stopper



	WH	APC	PN	STN	MB	BKS	SEG
744	188	188	254	254	254	282	282
	EG	AG	ULB	IB	EB	TCB	
744	282	282	282	282	188	188	

- For use with ISE10082 and 744 disposal flange
- Fits standard 3 1/2" diameter drain openings



743 Disposal Flange



	WH	BS	APC	SEG	PN	STN	MB	BK
743	228	228	228	342	308	308	308	308
	BKS	EG	AG	VG	ULB	IB	EB	TCB
743	342	342	342	342	342	342	342	342

- Not compatible with Waste King
- For use with 744 disposal stopper
- Fits standard 3 1/2" diameter drain openings

HANDCRAFTED

DÉCOREXPRESS

FINISH CHART

LANCASTER

SHAKER

SPECIALTY SINKS

GALLERY
BY SHAW'S

CARE &
MAINTENANCE

TERMS &
CONDITIONS

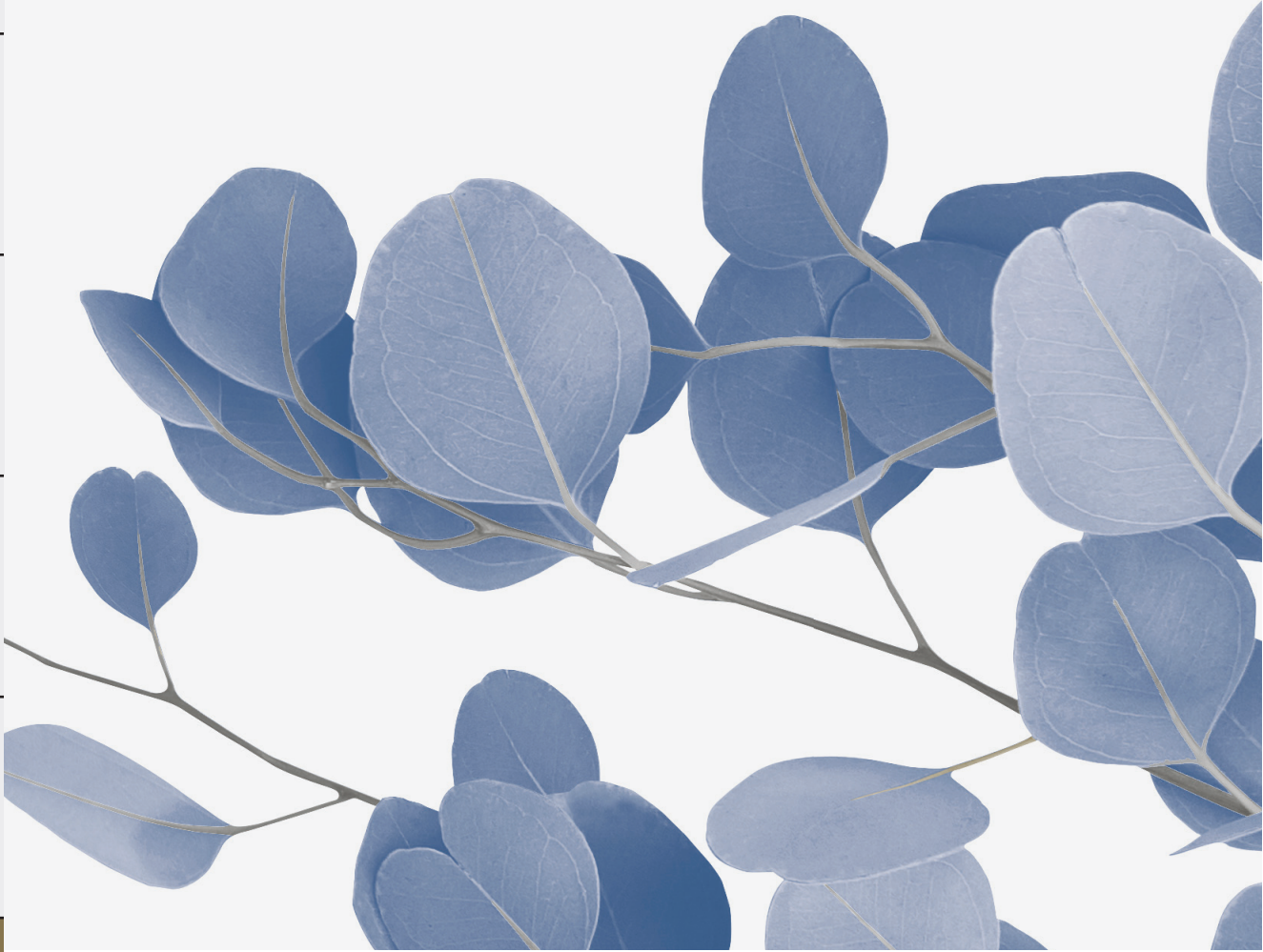


GALLERY BY SHAWS®



The Gallery by Shaws® provides beautiful design options for Shaker™ and Lancaster™ apron-front sinks to enhance kitchen decor of all kinds. Imagery is fired into the sinks in specially-designed kilns and glazed to smooth perfection. The fireclay sinks are embellished with graphic elements in statement-making styles to give kitchens a fresh perspective.

GALLERY BY SHAWS®



EUCALYPTUS

The eucalyptus is prized for its purifying and healing properties, and famous for its uplifting scent. Used as the central focus in floral design, the eucalyptus complements flower arrangements with its long stems, oval leaves, and blue, green, and silvery colors. Shaws sinks capture the essence of the eucalyptus with soft shapes that evoke relaxation and renewal.



EUCALYPTUS

SHAKER™



EUCALYPTUS

MS3018WHECBS	30" Model	\$3,128
MS3318WHECBS	33" Model	\$3,178
MS3618WHECBS	36" Model	\$3,268

PAGE 14+15

LANCASTER™



EUCALYPTUS

RC3018WHECBS-C	30" Model	\$3,268
RC3318WHECBS	33" Model	\$3,488
RC3618WHECBS	36" Model	\$3,838

PAGE 5+6

Allow minimum lead time of 10 weeks

GALLERY BY SHAWS®



LINES

Vertical lines balance with the rectangular shape and lustrous surface of a Shaws sink, giving a classic silhouette a contemporary spin for a look that fits all decors. These strokes defy strictly linear symmetry for a natural, organic feel with the fluidity of modern art. Clean and dynamic, this graphic expression juxtaposes with the verticals and horizontals of fixtures and cabinets to create a statement kitchen that's truly a showpiece.



GOLD



SILVER

SHAKER™



GOLD		
MS3018WHLNGO	30" Model	\$3,128
MS3318WHLNGO	33" Model	\$3,178
MS3618WHLNGO	36" Model	\$3,268

PAGE 14+15

SILVER		
MS3018WHLNSI	30" Model	\$3,128
MS3318WHLNSI	33" Model	\$3,178
MS3618WHLNSI	36" Model	\$3,268

PAGE 14+15

LANCASTER™



GOLD		
RC3018WHLNGO-C	30" Model	\$3,268
RC3318WHLNGO	33" Model	\$3,488
RC3618WHLNGO	36" Model	\$3,838

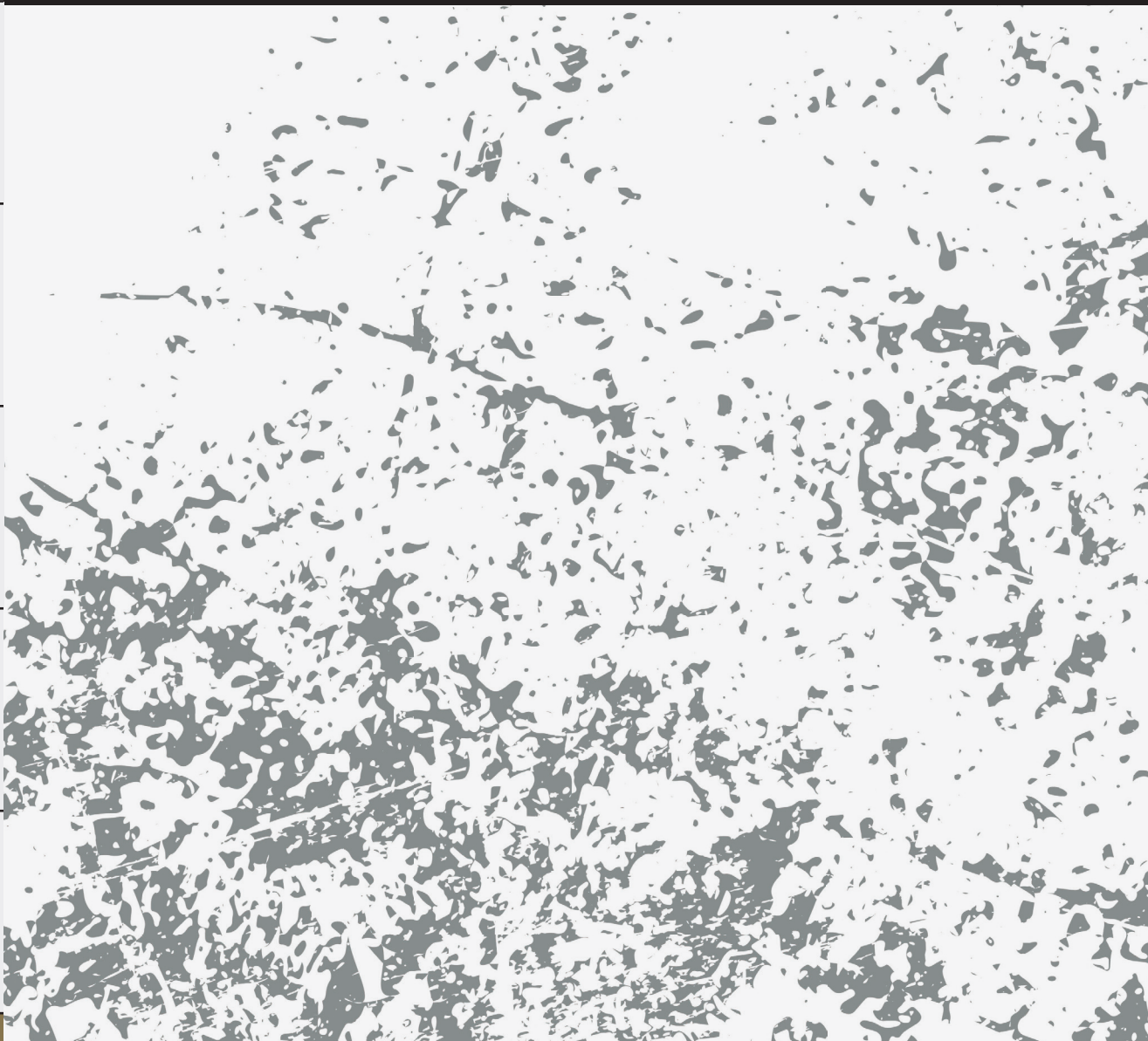
PAGE 5+6

SILVER		
RC3018WHLNSI-C	30" Model	\$3,268
RC3318WHLNSI	33" Model	\$3,488
RC3618WHLNSI	36" Model	\$3,838

PAGE 5+6

Allow minimum lead time of 10 weeks

GALLERY BY SHAWS®



METALLIC

An impression of the precious metals of silver and gold are fired into Shaws sinks to add richness and refinement to kitchens. A look that traverses traditional and modern, these metallics simultaneously express a contemporary and a classic, timeless feel. Their golden and silvery shine enhances the lavish luster of the sinks' finely glazed fireclay surface to give kitchens a luxurious aura.



GOLD



SILVER

SHAKER™



GOLD		
MS3018WHMTGO	30" Model	\$3,128
MS3318WHMTGO	33" Model	\$3,178
MS3618WHMTGO	36" Model	\$3,268

[PAGE 14+15](#)

SILVER		
MS3018WHMTSI	30" Model	\$3,128
MS3318WHMTSI	33" Model	\$3,178
MS3618WHMTSI	36" Model	\$3,268

[PAGE 14+15](#)

LANCASTER™



GOLD		
RC3018WHMTGO-C	30" Model	\$3,268
RC3318WHMTGO	33" Model	\$3,488
RC3618WHMTGO	36" Model	\$3,838

[PAGE 5+6](#)

SILVER		
RC3018WHMTSI-C	30" Model	\$3,268
RC3318WHMTSI	33" Model	\$3,488
RC3618WHMTSI	36" Model	\$3,838

[PAGE 5+6](#)

Allow minimum lead time of 10 weeks

GALLERY BY SHAWS®

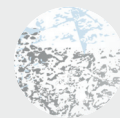


PATINA

A patina is formed through a chemical reaction creating a lush abstraction of colour and shine. Patina is also the aura of refinement that comes with time. The patina design incorporated into Shaws sinks fits both descriptions. A blending of shade and hue adorns sinks that are created by hand according to traditions set in 1897. Together they form a timeless look that is the epitome of understated luxury.



BLUE AND GOLD



BLUE AND SILVER

SHAKER™



BLUE AND GOLD		
MS3018WHPTBG	30" Model	\$3,128
MS3318WHPTBG	33" Model	\$3,178
MS3618WHPTBG	36" Model	\$3,268

PAGE 14+15

BLUE AND SILVER		
MS3018WHPTBS	30" Model	\$3,128
MS3318WHPTBS	33" Model	\$3,178
MS3618WHPTBS	36" Model	\$3,268

PAGE 14+15

LANCASTER™



BLUE AND GOLD		
RC3018WHPTBG-C	30" Model	\$3,268
RC3318WHPTBG	33" Model	\$3,488
RC3618WHPTBG	36" Model	\$3,838

PAGE 5+6

BLUE AND SILVER		
RC3018WHPTBS-C	30" Model	\$3,268
RC3318WHPTBS	33" Model	\$3,488
RC3618WHPTBS	36" Model	\$3,838

PAGE 5+6

Allow minimum lead time of 10 weeks

CARE AND MAINTENANCE

Authentically crafted fireclay sinks are made of a unique clay capable of being fired at extremely high temperatures. These high temperatures cause the clay and glaze to fuse together, virtually creating an entirely new form. The clay is found in limited regions around the world, making true fireclay sinks some of the most durable sink options. Resistant to acid, alkali, scratches and impact, many fireclay sinks outlive the very spaces for which they were created. Our fireclay sinks are crafted with environmentally friendly materials and are completely lead free and recyclable.

WHITE FIRECLAY SINKS

LIMITED LIFETIME WARRANTY

Cleaning: We recommend using a soft sponge or cloth and a mild abrasive. Daily cleaning with abrasives or abrasive pads will not harm the surface. To avoid water spotting, wipe down the sink bottom after use. Waxing the sink will encourage drainage.

Maintaining: Astonish cleaner may be used should a mark or scuff need to be removed. While no colored sink of any kind is impervious to damage, fireclay resists chips, scratches, and stains better than other materials. In the rare instance of a chip, color-matched repair kits are available through your local House of Rohl® dealer.

GALLERY BY SHAWS®

LIMITED LIFETIME WARRANTY ON SINK

2-YEAR LIMITED LIFETIME WARRANTY ON EXTERIOR DECORATIVE ARTWORK

Cleaning: The Gallery by Shaws artwork finish is softer than the glaze found on solid-colored sinks, thus more care is necessary in cleaning the front apron of the sink. Metallic finishes are comprised of real platinum or gold. We recommend cleaning the sink gently with a soft sponge or cloth and a non-abrasive soap solution. **Using abrasives or abrasive pads may harm the delicate surface of the decorative art.** To avoid spotting, wipe down the sink after use. Waxing the interior only will encourage draining.

Maintaining: Abrasive cleaners like Astonish or Barkeeper's Friend may only be used on the inner surfaces of Gallery by Shaws sinks if a mark or scuff needs to be removed. **Using any abrasive cleaner on the front apron of the sink will void the 2-year exterior decorative artwork warranty.** In the rare instance of a chip on the interior of the sink, color-matched repair kits are available through your local House of Rohl dealer.

MAINTAINING YOUR FINISH

No matter which finish you select, here are a few simple steps to keep your kitchen fixtures looking beautiful for years:



For the complete list of care and maintenance, please visit: houseofrohl.ca/shaws/support/care-and-cleaning/

INSTALLATION

HOW TO INSTALL A SHAWS® FARMHOUSE KITCHEN SINK



Scan QR code or visit youtube.com/watch?v=7t1jtc8Rbcs

CONTACT US

Please know that our limited lifetime warranty covers only parts and does not cover installation, removal of our products or freight changes. However, to ensure the best possible service to our customers, we have established a procedure to request a service call.

The consumer must first contact the distributor where the merchandise was purchased. A call will not be processed if the distributor has the consumer contact us directly. In such a case we will redirect the call to the distributor. This procedure aims to improve the efficiency of service calls, since communication is sometimes more complex with customers (ex: unable to identify the item number, etc.) As a result, the wrong product or parts have been sent in the past.

The distributor must send us, by fax or email, the service-call form properly filled out with a proof of purchase. It is important to include the product code, date of purchase and as much detail as possible about the problem, as well as the malfunction diagnosis.

In the case of a more technical call, we may contact the consumer directly to give him/her the necessary information. If a part must be replaced, it will be sent along with its installation guide to the distributor, with the consumer's name shown on the box. It may also be sent directly to the customer at their own expense.

This procedure was created to improve efficiency and speed of service for our customers. Thank you for understanding.

For more information, please contact our Customer Service Department:

CONSUMER SERVICE TECHNICAL SUPPORT

Phone: 800-777-9762 **Ext:** 1

- Warranty Claims
- Troubleshooting
- Installation Support

Email: technical@houseofrohl.com

Contact us: <https://houseofrohl.com/support/contact-us/>

Self-service: <https://solutions.houseofrohl.com/>

CUSTOMER PORTAL

Phone: 800-777-9762 **Ext:** 3

Portal: <https://connect.houseofrohl.com/>

- Order Discrepancies (ex. : Shipping/picking errors, keying errors, carriers error)
- RGA requests

Email: RGA@houseofrohl.com

CUSTOMER SERVICE

Phone: 800-777-9762 **Ext:** 2

Order entry: orders@houseofrohl.com

- New Purchase Orders
- Order updates

Customer care: customercare@houseofrohl.com

- Product inventory inquiries
- Order status inquiries

TERMS AND CONDITIONS

PRICES

Prices and terms are subject to change without notice. Customer is responsible for payment of all applicable taxes.

FREIGHT TYPES OF ORDERS	FLAT FREIGHT FEES	
	\$1 UP TO \$3,499	\$3,500 OR GREATER
Brass or Lavatory Sink(s) only	\$25	Free Freight Allowed (FFA)
Kitchen Sink(s) only, or combination order with other product	Free Freight Allowed (FFA)	Free Freight Allowed (FFA)
Bathtub only, or combination order with other product	Free Freight Allowed (FFA)	Free Freight Allowed (FFA)
Spare Parts only (No complete faucets or fixtures)	Free Freight Allowed (FFA)	Free Freight Allowed (FFA)

SHIPPER RESERVES THE RIGHT TO SHIP MERCHANDISE BY THE METHOD OF OUR CHOOSING

NON-INDUSTRY RELATED SHIP TO ADDRESSES, INCLUDES RESIDENTIAL DROP SHIP ORDERS:

Any order that is drop shipped to a consumer's home will be assessed a \$25 charge above all standard shipping and handling fees. \$100 additional for each bathtub. Drop Ship Fee Buy Line must be on the Original Purchase Order for the order to be processed, phone number for delivery set up required.

PAYMENT TERMS

All payments are due in 30 days from date of invoice unless agreed upon in writing by an officer of ROHL® LLC.

PRODUCT CHANGES

Delivery to the carrier constitutes delivery to customer. Any claim for loss or damage in transit should be made promptly by the customer to the carrier. Our responsibility ceases when the goods are delivered in good condition for the carrier.

CUSTOMER INCENTIVE PROGRAM (CIP) POLICIES AND PROCEDURES

- This program is for fiscal year 2026 and expires at the of 2026
- If customer requires a wholesaler during the year, the revenue generated by that acquisition will result in a restatement of the incentive program
- Rebate is calculated on invoiced/shipped purchases as of December 31, 2026
- House of Rohl® 2026 fiscal year is January 1, 2026 through December 31, 2026
- Incentives will be paid by check or credit memo in March 2027
- House of Rohl reserves the unilateral right to make amendments to these Policies and Procedures at any point

VENDOR MANAGED FUNDS PROGRAM

- Customers must have had 2025 program net sales of \$250,000 or greater to have earned 2026 Vendor Managed Funds
- Display program offers a discount off of wholesalers net price. See full merchandising program for additional details.
- A portion of the Vendor Managed Funds earned, determined by 2026 strategic priorities, are to be used for new product updates and the House of Rohl current merchandising program fixtures

DEFECTIVE RETURN POLICY

- Price credited is based on current price at time of the return
- House of Rohl pays freight to designated customer
- Defective cartridges are no longer accepted through the returns authorization process

LABOR

No labor charges of any kind will be allowed

CLAIMS

All claims of lost, damaged or incorrectly shipped materials must be made to ROHL LLC within 5 days after receipt of goods. Any claims outside this time may be rejected by ROHL LLC. Service and replacement parts may be subject to a \$25 processing fee.

CONTINUED ON NEXT PAGE

ACCOMMODATIONS AND RETURNS PROGRAM

Products may not be returned for credit or replacement without prior inspection and written authorization from House of Rohl. Customer dissatisfaction is not a reason for return.

English Bronze, Tuscan Brass, Italian Brass, English Gold, Satin English Gold, Antique Gold, Unlacquered Brass, and Pergame have acceptable variations that are normal and enhance the custom nature of each finish. Variation is not a reason for return.

Unlacquered Brass and Tuscan Brass will be final sale and non-returnable.

Non-Defective Return Guidelines—Above average return rates will be reviewed by the Regional Business Leader with the customer to partner on how returns can be mitigated.

- Product must be New In Box condition.
- Product must be listed as an active SKU in the current price book at the time of the request for return excluding any annual year-end deletions.
- Customer pays freight to designated House of Rohl facility.
- Price credited is based on original purchase order price.
- Time since ship date from House of Rohl cannot exceed 180 days for Non-Defective Returns.
- A restocking fee applies and will be deducted from the refunded purchase price as outlined below.
 - 25% = Up to 60 days since ship date from House of Rohl
 - 35% = 61 – 180 days since ship date from House of Rohl

Stock Rotation Return Guidelines—Upon stock rotation, an offsetting restocking order must follow as defined in customer programming for restocking fee to be waived. Only one stock rotation per year is permitted not to exceed 2% of prior year program net sales.

- Product must be New In Box condition.
- Product must be listed as an active SKU in the current price book at the time of the request for return excluding any annual year-end deletions.
- Customer pays freight to designated House of Rohl facility.
- Price credited is based on original purchase order price.
- Time since the ship date form House of Rohl cannot exceed 365 days for stock rotations.

Defective Return Guidelines—Defective Product refers to product that upon customer receipt or initial install had either a functional or cosmetic defect that did not meet House of Rohl’s standards product specification. Defective does not refer to product that has failed during normal operation or defects which result from customer neglect or abuse. For product wear out failures please contact 1-800-777-9762.

GENERAL

The receipt or possession of this price list by anyone will not be accepted by ROHL LLC as an obligation or offer to sell any goods listed herein. All prices herein quoted supersede all prior price lists and bulletins. Existing trade terms continue in effect.

No order, contract or agreement will become an obligation until accepted in writing by ROHL LLC.

ROHL LLC does not have field service technicians. We are a sales and marketing company only. Sales Representatives do not perform in-home service. Product that is handmade and is within tolerance of published dimensions will not be considered for return.

Shaws sinks continue to be handmade since the 1897 original design. Each sink is designed with a slight pitch to the drain, so standing water is normal. Standing water is not a reason for return.

These Terms and Conditions shall be deemed to be a part of all such acceptance by ROHL LLC and shall supersede any conflicting provisions of customer’s purchase order, and any conflicting terms and conditions included in a customer’s purchase order are rejected and invalid. These Terms and Conditions, any sales hereunder, and any claim, dispute, or controversy between the parties arising from or relating to these Terms and Conditions, their interpretation, or the breach, termination, or validity thereof, will be governed by and construed in accordance within the laws of the State of Ohio, without regard to conflict-of-laws rule. The parties hereby agree that the United Nations Convention on Contracts for the International Sale of Goods will not apply to these Terms and Conditions and to the purchase and sale of products hereunder and any statute which would otherwise apply which implements such convention is expressly excluded.

Other than any express limited warranty granted by ROHL LLC with respect to a product, ROHL LLC disclaims all warranties and conditions, expressed or implied, statutory or otherwise, with respect to the products, including, without limitation, any implied warranty of quality, merchantability or fitness for a particular purpose, as well as warranties arising from course of dealing and usage of trade, and ROHL LLC does not represent or warrant that any product will meet the customer’s requirements. Customer may not use the ROHL LLC name or any ROHL LLC trademark, trade name, service mark, logo, or copyrighted work for any purpose. The sale of products by ROHL LLC does not constitute a license, implied or otherwise, for the use of any patents or know-how of others, nor does it constitute a license, implied or otherwise, on patents or know-how of ROHL LLC.

ROHL LLC WILL NOT BE LIABLE FOR ANY LOSS, DAMAGE OR INJURY RESULTING FROM DELAY IN DELIVERY OF THE PRODUCTS OR FOR ANY FAILURE TO PERFORM DUE TO CIRCUMSTANCES BEYOND OUR CONTROL OR THE CONTROL OF OUR SUPPLIERS, INCLUDING WITHOUT LIMITATION FAILURE OR DELAY IN TRANSPORTATION, ACTS OF ANY GOVERNMENT OR ANY AGENCY OR SUBDIVISION THEREOF, JUDICIAL ACTION, LABOUR DISPUTES, FIRE, ACCIDENT, ACTS OF NATURE, SHORTAGE OF LABOUR, FUEL OR RAW MATERIAL, OR MACHINERY OR TECHNICAL FAILURE. ROHL LLC’S MAXIMUM LIABILITY, IF ANY, FOR ALL DAMAGES, INCLUDING WITHOUT LIMITATION CONTRACT DAMAGES AND DAMAGES FOR INJURIES TO PERSONS OR PROPERTY, WHETHER ARISING FROM OUR BREACH OF THESE TERMS, BREACH OF WARRANTY, NEGLIGENCE, STRICT LIABILITY OR OTHER TORT WITH RESPECT TO THE PRODUCTS, IS LIMITED TO AN AMOUNT NOT TO EXCEED THE THEN-CURRENT WHOLESALE PRICE OF THE PRODUCTS. IN NO EVENT WILL ROHL LLC BE LIABLE TO CUSTOMER FOR ANY INCIDENTAL, CONSEQUENTIAL OR SPECIAL DAMAGES, INCLUDING, WITHOUT LIMITATION, LOST REVENUES AND PROFITS, EVEN IF WE HAVE BEEN ADVISED OF THE POSSIBILITY OF SUCH DAMAGES. INCLUDING WITHOUT LIMITATION LOST REVENUES AND PROFITS, EVEN IF WE HAVE BEEN ADVISED OF THE POSSIBILITY OF SUCH DAMAGES.

EFFECTIVE: 2/2026

MOST PRODUCTS OR PARTS CARRY “LIMITED WARRANTIES” AGAINST MANUFACTURING DEFECTS AS DEFINED BELOW.

Allia Fireclay Kitchen Sinks — Limited Lifetime Warranty

Stainless Steel/Stainless Copper Sinks — Limited Lifetime Warranty

Bath Sinks — Limited Lifetime Warranty

Kitchen and Bath Faucets — Limited Lifetime Warranty

Soap Dispensers — Limited Lifetime Warranty

Hot Water Dispensers — 5-year Limited Warranty on faucet, 3-year Limited Warranty on tank

Air Gaps, Coverplates, Sink Hole Covers, Air Switches — 2-year Limited Warranty

Kitchen Drains, Basket Strainers — 2-year Limited Warranty

Shower — 2-year Limited Warranty

Kitchen Wire Sink Grids — 1-year Limited Warranty

Sanitary Ware/Bath Fixture Accessories — 1-year Limited Warranty

Decorative Shower Drains — 1-year Limited Warranty, No warranty on finish

**ROHL OFFERS A FIVE-YEAR LIMITED WARRANTY ON THE FOLLOWING FINISHES ONLY: ITALIAN BRASS AND MATTE BLACK.
ROHL DOES NOT OFFER AN EXPRESS WARRANTY ON THE FOLLOWING FINISHES FOR ANY OF ITS PRODUCTS:
TUSCAN BRASS, UNLACQUERED BRASS OR SPECIAL ORDER FINISHES.**

ROHL's Promise — A “Limited Warranty” means ROHL LLC will provide free of charge, at its option, replacement part(s) or product (or a comparable alternative product) to replace those which have proven defective in materials or workmanship within the warranty period on that product or part as stated above.

ROHL LLC will not assume liability for labor expended, freight cost or damages accruing from the use of the material purchased from us. If material is defective, the limit of damage is the price of the defective material. Proof of purchase (original sales receipt) from the original consumer purchaser must be made available to ROHL LLC for all warranty claims. The warranty is not transferable and is extended solely to the original purchaser of the product, so long as the product remains in its original installation.

Warranty Exclusions and Disclaimers — This warranty is for normal domestic use only and excludes defect or injury caused by or resulting from misuse, abuse, neglect, accidental damage or improper installation.

WARRANTY, BREACH OF CONTRACT, NEGLIGENCE, STRICT TORT, OR ANY OTHER LEGAL THEORY. DAMAGES THAT ROHL WILL NOT BE RESPONSIBLE FOR INCLUDE, BUT ARE NOT LIMITED TO: LOSS OF PROFITS; LOSS OF SAVINGS OR REVENUE; LOSS OF USE OF THE PRODUCT OR ANY ASSOCIATED EQUIPMENT; COST OF CAPITAL; COST OF ANY SUBSTITUTE EQUIPMENT, FACILITIES, OR SERVICES; DOWNTIME; THE CLAIMS OF THIRD PARTIES, INCLUDING CUSTOMERS; AND DAMAGES OR INJURY TO PROPERTY.

This warranty gives you specific legal rights and you may also have other rights that vary from state to state.

In addition, the Limited Lifetime Warranty and term Limited Warranties do not apply to the replacement of components where damage is caused by normal wear and tear, including without limitation excess mineral deposits from water. As a special note, avoid all cleaning products that contain abrasives, ammonia, bleach and alcohol. They may damage the finish. Also, use only non-silicone caulking adhesive or plumbers putty for installation. Do not use lead based acidic curing adhesive or mastic when installing product. Silicone caulking may also degrade brass material. The use of Blue RTV silicone during installation will void the product warranty. Due to the harsh environment of sun, wind, rain and snow, installing ROHL products for outdoor use voids the warranty.

General Disclaimer — All warranties other than the express Limited Warranty herein contained, including but not limited to any implied warranty of merchantability or fitness for a particular purpose, are limited in duration to the applicable warranty period set forth above, or the applicable limitations period set by your state, whichever is shorter. Some states do not allow limitations on how long an implied warranty lasts and some states do not allow the exclusion or limitation of incidental or consequential damages, so the above limitations or exclusions may not apply to you.

No Other Warranties — Unless modified in a writing signed by both parties, this agreement is understood to be the complete and exclusive agreement between the parties, superseding all oral or written prior agreements and all other communications between the parties relating to the subject matter of this agreement, including statements made by salespersons. No employee of ROHL or any other party is authorized to make any warranty in addition to those made in this agreement. The buyer is warned, therefore, to check this agreement carefully to see that it correctly reflects those terms that are important to the buyer.

Foreign Outlets Online — One of the benefits of the Internet is that it has granted consumers the opportunity to learn about and purchase products from previously unknown foreign companies. Unfortunately, some foreign distributors who sell the foreign versions of ROHL's products have promoted these products for shipment to the United States. Though prices may look appealing, these products are not designed to be installed in American homes and significant problems may result. ROHL uses domestic distributors to ensure that its products meet American plumbing installation standards and have American plumbing code approvals. ROHL will no service, warrant, nor provide customer support for product purchased from foreign distributors.

Commercial Limited Warranty — ROHL warrants its products installed in a commercial application to be free from manufacturing defects for a period of one (1) year from the date of acquisition by original owner. IN COMMERCIAL INSTALLATIONS, THE ONE-YEAR LIMITED WARRANTY IS IN LIEU OF ALL OTHER WARRANTIES, EXPRESS OR IMPLIED, INCLUDING BUT NOT LIMITED TO THE IMPLIED WARRANTIES OF MERCHANTABILITY AND FITNESS FOR A PARTICULAR PURPOSE.



LIMITED WARRANTY

MOST PRODUCTS OR PARTS CARRY "LIMITED WARRANTIES" AGAINST MANUFACTURING DEFECTS AS DEFINED BELOW.

Shaws Fireclay Kitchen Sinks — Limited Lifetime Warranty

Gallery by Shaws® Sinks — Limited Lifetime Warranty
2-Year Limited Lifetime Warranty on exterior decorative artwork

Air Gaps, Coverplates, Sink Hole Covers and Air Switches — Limited Lifetime Warranty

Kitchen Wire Sink Grids — 1-year Limited Warranty

Kitchen Drains and Basket Drainers — 2-year Limited Warranty

Bath Sinks, Sanitary Ware/Bath Fixture Accessories — 2-year Limited Warranty

ROHL's Promise — A "Limited Warranty" means ROHL LLC will provide free of charge, at its option, replacement part(s) or product (or a comparable alternative product) to replace those which have proven defective in materials or workmanship within the warranty period on that product or part as stated above.

ROHL LLC will not assume liability for labor expended, freight cost or damages accruing from the use of the material purchased from us. If material is defective, the limit of damage is the price of the defective material. Proof of purchase (original sales receipt) from the original consumer purchaser must be made available to ROHL LLC for all warranty claims. The warranty is not transferable and is extended solely to the original purchaser of the product, so long as the product remains in its original installation.

Warranty Exclusions and Disclaimers — This warranty is for normal domestic use only and excludes defect or injury caused by or resulting from misuse, abuse, neglect, accidental damage or improper installation.

WARRANTY, BREACH OF CONTRACT, NEGLIGENCE, STRICT TORT, OR ANY OTHER LEGAL THEORY. DAMAGES THAT ROHL WILL NOT BE RESPONSIBLE FOR INCLUDE, BUT ARE NOT LIMITED TO: LOSS OF PROFITS; LOSS OF SAVINGS OR REVENUE; LOSS OF USE OF THE PRODUCT OR ANY ASSOCIATED EQUIPMENT; COST OF CAPITAL; COST OF ANY SUBSTITUTE EQUIPMENT, FACILITIES, OR SERVICES; DOWNTIME; THE CLAIMS OF THIRD PARTIES, INCLUDING CUSTOMERS; AND DAMAGES OR INJURY TO PROPERTY.

This warranty gives you specific legal rights and you may also have other rights that vary from state to state.

In addition, the Limited Lifetime Warranty and term Limited Warranties do not apply to the replacement of components where damage is caused by normal wear and tear, including without limitation excess mineral deposits from water. As a special note, avoid all cleaning products that contain abrasives, ammonia, bleach and alcohol. They may damage the finish. Also, use only non-silicone caulking adhesive or plumbers putty for installation. Do not use lead based acidic curing adhesive or mastic when installing product. Silicone caulking may also degrade brass material. The use of Blue RTV silicone during installation will void the product warranty. Due to the harsh environment of sun, wind, rain and snow, installing ROHL products for outdoor use voids the warranty.

General Disclaimer — All warranties other than the express Limited Warranty herein contained, including but not limited to any implied warranty of merchantability or fitness for a particular purpose, are limited in duration to the applicable warranty period set forth above, or the applicable limitations period set by your state, whichever is shorter. Some states do not allow limitations on how long an implied warranty lasts and some states do not allow the exclusion or limitation of incidental or consequential damages, so the above limitations or exclusions may not apply to you.

No Other Warranties — Unless modified in a writing signed by both parties, this agreement is understood to be the complete and exclusive agreement between the parties, superseding all oral or written prior agreements and all other communications between the parties relating to the subject matter of this agreement, including statements made by salespersons. No employee of ROHL or any other party is authorized to make any warranty in addition to those made in this agreement. The buyer is warned, therefore, to check this agreement carefully to see that it correctly reflects those terms that are important to the buyer.

Foreign Outlets Online — One of the benefits of the Internet is that it has granted consumers the opportunity to learn about and purchase products from previously unknown foreign companies. Unfortunately, some foreign distributors who sell the foreign versions of ROHL's products have promoted these products for shipment to the United States. Though prices may look appealing, these products are not designed to be installed in American homes and significant problems may result. ROHL uses domestic distributors to ensure that its products meet American plumbing installation standards and have American plumbing code approvals. ROHL will no service, warrant, nor provide customer support for product purchased from foreign distributors.

Commercial Limited Warranty — ROHL warrants its products installed in a commercial application to be free from manufacturing defects for a period of one (1) year from the date of acquisition by original owner. IN COMMERCIAL INSTALLATIONS, THE ONE-YEAR LIMITED WARRANTY IS IN LIEU OF ALL OTHER WARRANTIES, EXPRESS OR IMPLIED, INCLUDING BUT NOT LIMITED TO THE IMPLIED WARRANTIES OF MERCHANTABILITY AND FITNESS FOR A PARTICULAR PURPOSE.



THE STORY OF A LIFE
WELL CRAFTED™

HOUSEOFROHL.COM
EMTEK.COM
SCHAUBANDCOMPANY.COM

Riobel

PERRIN & ROWE
LONDON



victoria + albert®

ROHL

Schaub

EMTEK.

@HOUSEOFROHL
@EMTEK_PRODUCTS
@SCHAUBHARDWARE



House of Rohl | 800.777.9762
EMTEK & Schaub | 800.777.9762

LIT-0002