

HOUSE OF ROHL.

PRESENTS

PERRIN & ROWE®

L O N D O N





HOUSE OF ROHL.

PRESENTS

THE STORY OF A LIFE WELL CRAFTED™

We believe distinctive stories are what make life exceptional.

At House of Rohl®,
A portfolio of luxury décor brands,
We pursue the discovery of time-honored craft
That opens the door to stories unlike any other.

Stories of place and provenance.
Stories of dedication and passion.
Stories of artistry and heritage.

Through our collection of brands, you will find storied details that bring
endless curated design possibilities.
And the closer you look, the more you will see the details of your own story.

The story of a life well crafted

Riobel

PERRIN & ROWE
LONDON




victoria + albert®

ROHL

Schaub

EMTEK.



HOUSE OF ROHL

PRESENTS

PERRIN & ROWE®

L O N D O N

**MADE IN BRITAIN AND
MADE TO LAST**

Like the finest jewelry, Perrin & Rowe® faucets and fixtures have an exacting sense of proportion. We believe the best way to make the best is to bring together the foremost in innovation with time-tested techniques. Crafted in England, Perrin & Rowe designs juxtapose reinterpretations of the past with novel styles of the present. Made in Britain, and made to last, with quality and integrity.

Cover kitchen design features: Perrin & Rowe® Georgian Era® Collection, Shaws® Waterside sink and Schaub Northport pulls.

TABLE OF CONTENTS—TAB GUIDE

THE PRICE BOOK IS DIVIDED INTO FOUR COLOR-CODED SECTIONS



Price book tools and resources can be found in the book, including finish guides, brand features, etc.

In the Kitchen and Bath sections, collections are organized alphabetically.

RESOURCES

Collection Finish Guides	A12	Platform Finish Guides	A13	Component Finish Guides	A17	Product Terms	129
Care and Maintenance	130	Contact US	133	Terms and Conditions	134		

KITCHEN

Armstrong	2	Edwardian	8	Georgian Era	14	Holborn	20
Southbank	26	Kitchen Accessories	30				

BATH

Armstrong	34	Deco	44	Edwardian	54	Holborn	70
-----------	--------------------	------	--------------------	-----------	--------------------	---------	--------------------

COMPONENTS

Drawer Pulls	82	Lavatory Drains	86	Rough-in Valves	90	Shower	102
--------------	--------------------	-----------------	--------------------	-----------------	--------------------	--------	---------------------

QUICK REFERENCE PRODUCT GUIDE

PART	#PAGE	PART	#PAGE	PART	#PAGE
9.28385	112	R23	91	U.3510L or U.3511X	58
0126BS1	121	R45	91	U.3520L or U.3521X	57
0126SBHS1	115	R51	91	U.3560L or U.3561X	57
0327WO	119	R104	91	U.3580L or U.3581X	58
402HS5	111	R1062BO	92	U.3585	59, 122
0427WO	119	RH08WM	92	U.3626	56
1005N	91	RH26BS01	92	U.3670	56
1037/8	105	SDABS2/3	125	U.3705L or U.3706X	57
1070/8	105	SDCI2	126	U.3720L or U.3721X	56
1080/8	103	SDCI2-3142	124	U.3737L or U.3738X	59
1085/8	103	SDCI2-3143	124	U.3745L or U.3746X	59
1150/8	111	SDCI2-3144	124	U.3760L or U.3761X	56
1151/8	111	SDCI2-3146	124	U.3774	61
1252	116	SDPVC2/3	125	U.3780L or U.3781X	58
1265	116	SDPVC2/3-3142	123	U.3785	59, 122
1266	116	SDPVC2/3-3143	123	U.3790L or U.3791X	57
1267	117	SDPVC2/3-3144	123	U.3805	59, 121
1270	117	SDPVC2/3-3146	123	U.3848LS or U.3849X	73
1271	117	SHC-1	33	U.3860LS or U.3861X	72
1272E	118	U.7AR27SA	106	U.3870	72
1279	117	U.20AR27SA	107	U.3955LS or U.3956X	72
1282	117	U.0127DOF	87	U.3975LS or U.3976X	73
1300E	113	U.0226BS1	121	U.3990	73
1301E	113	U.0227WO	118	U.4034	22
1310	113	U.0326BS1	121	U.4043	23
1311	114	U.1106	33	U.4044	22
1330	114	U.1220	19	U.4046	22
1440/8	106	U.1307	19	U.4213	23
1475/12	107	U.1323	12	U.4273	22
1505/12	108	U.1347	24	U.4279	22
1505/24	109	U.1601	24	U.4312	23
1505/6	108	U.1621	11	U.4513	5
1600	114	U.1625	19	U.4534	4
1660	120	U.1633	5	U.4543	5
5445	87	U.1998	33	U.4544	4
5447	87	U.3064LS or U.3065X	75	U.4546	4
5927SH	112	U.3100	47	U.4549	4
6442	88	U.3110	47	U.4551	4
7444	87	U.3120LS or U.3121X	46	U.4599	5
8446	87	U.3135	46	U.4700	18
16295	112	U.3141LS or U.3142X	46	U.4702	17
16295/79	112	U.3152LS or U.3153X	47	U.4710	17
40126HS1	110	U.3164LS or U.3165X	49	U.4711	18
50226HS3	111	U.3170LS or U.3171X	46	U.4719L or U.4718X	17
200127SA	108	U.3178LS or U.3179X	47	U.4734	16
AG600	32	U.3183	47, 121	U.4736L or U.4735X	17
AKIT8073	113	U.3230R	93	U.4739	10
AS425	32	U.3231R	93	U.4743	18
AS450	32	U.3240L or U.3241X	61	U.4744	16
BI00059	103	U.3248L or U.3249X	58	U.4746	10
DC3142	124	U.3260R	92	U.4756L or U.4755X	10
DC3143	125	U.3261R	93	U.4759	11
DC3144	125	U.3321LS or U.3322X	72	U.4766	10
DC3146	125	U.3330	73, 122	U.4776	10
HRF-1000	32	U.3331LS or U.3332X	73	U.4791	16
HRK-2000	32	U.3440R	92	U.4799LS or U.4798X	11, 18
I00410	105	U.3500L or U.3501X	58	U.4842	23

QUICK REFERENCE PRODUCT GUIDE

PART	#PAGE	PART	#PAGE	PART	#PAGE
U.4846.	.23	U.6422.	.76	U.AR25WTB24	.39
U.4899.	.24	U.6434.	.76	U.AR25WTP.	.39
U.5100.	.120	U.6437.	.77	U.AR25WTR.	.39
U.5135.	.104	U.6440.	.76	U.AR0127HH	.119
U.5140.	.114	U.6441.	.76	U.AR260127SB.	.115
U.5146.	.118	U.6442.	.76	U.GA01D1.	.56
U.5157LS or U.5158X	.49	U.6447.	.75	U.KIT1NL or U.KIT1NX.	.66
U.5182.	.106	U.6448.	.75	U.KIT2L or U.KIT2X	.66
U.5184.	.107	U.6482.	.77	U.KIT1220.	.18
U.5195.	.113	U.6495.	.31	U.KIT1307.	.19
U.5204.	.105	U.6560.	.84	U.KIT1323.	.11
U.5205.	.104	U.6561.	.84	U.KIT1347.	.24
U.5235.	.104	U.6570.	.83	U.KIT1601.	.24
U.5237.	.105	U.6571.	.84	U.KIT1621.	.11
U.5260.	.104	U.6580.	.83	U.KIT1625.	.19
U.5300.	.120	U.6581.	.83	U.KIT1633.	.5
U.5302.	.119	U.6590.	.83	U.KIT1833.	.6
U.5350.	.115	U.6591.	.83	U.KITSB72D1.	.29
U.5362.	.106	U.6595.	.31	U.PRF1	.33
U.5373N.	.111	U.6695.	.31	U.SB53D1.	.28
U.5379.	.122	U.6792.	.17	U.SB55D1.	.28
U.5381.	.109	U.6793.	.16	U.SB57D3.	.28
U.5384.	.107	U.6794.	.16	U.SB58D3.	.28
U.5387.	.112	U.6907.	.116	U.SB60D1.	.29
U.5388.	.108	U.6910.	.64	U.SB62W1.	.29
U.5391.	.109	U.6911.	.116	U.SB65D1.	.28
U.5393.	.109	U.6913.	.126	U.SB70D1.	.29
U.5394.	.109	U.6916.	.64, 127	U.SB72D1.	.29
U.5399.	.122	U.6918.	.65	U.SB80SD.	.31
U.5535.	.115	U.6921.	.62	U.TAR05F1	.37
U.5540.	.114	U.6922.	.62	U.TAR06W3	.37
U.5544.	.119	U.6923.	.63	U.TAR08W3	.36
U.5546.	.118	U.6931.	.65	U.TAR13W1	.38
U.5550L or U.5552X.	.62	U.6935.	.63	U.TAR18W1	.38
U.5565L or U.5566X.	.61	U.6938.	.65	U.TAR23W1	.38
U.5570.	.120	U.6941.	.63	U.TAR44W1	.37
U.5585L or U.5586X.	.61	U.6942.	.63	U.TAR45W1	.38
U.5785LS or U.5786X	.61	U.6947.	.62	U.TAR47W1	.38
U.5800.	.103	U.6951.	.126	U.TAR51W1	.37
U.5810.	.110	U.6952.	.126	U.TDC23W1.	.48
U.5815.	.110	U.6953.	.64	U.TDC44W1.	.48
U.5825.	.110	U.6959.	.127	U.TDC45W1.	.48
U.5840.	.115	U.6960.	.62	U.TDC47W1.	.48
U.5846.	.118	U.6961.	.63	U.TDC51W1.	.48
U.5870.	.120	U.6962.	.126	U.TEW23W1.	.60
U.5882.	.106	U.6967.	.127	U.TEW44W1.	.60
U.5884.	.107	U.6968.	.127	U.TEW45W1.	.60
U.5885LS or U.5886X	.75	U.6969.	.64	U.TEW47W1.	.60
U.5888.	.108	U.6975.	.64	U.TEW51W1.	.60
U.6055.	.84	U.6995.	.31	U.THB23W1.	.74
U.6122.	.49	U.40226HS1	.110	U.THB44W1.	.74
U.6135.	.49	U.80126RS1	.104	U.THB45W1.	.74
U.6140.	.50	U.AR01UD1.	.36	U.THB47W1.	.74
U.6141.	.50	U.AR08D3.	.36	U.THB51W1.	.74
U.6142.	.50	U.AR08LD3.	.36	V00275	.123
U.6148.	.49	U.AR09D3.	.36	WI0123	.103
U.6421.	.75	U.AR25WRH	.39		

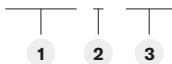
NOMENCLATURE

CODE EXAMPLES



FAUCET

U.4755 L - APC / TO-2



- 1 Product Code
- 2 Handle Choices*
- 3 Faucet Finish

* Indicate only if applicable

HANDLE CODES

- | | | | |
|------------------------------------|---|-----------------------|----------------------------|
| HT Textured Metal Lever | LS Metal Lever | X Cross Handle | IW Industrial Wheel |
| L Metal and Porcelain Lever | LSP Metal Lever (with Porcelain Cap) | XM Cross | |

FINISH CODES

- | | | | | | | |
|---|---|---|---|---|---|---|
|  |  |  |  |  |  |  |
| APC
Polished
Chrome | PN
Polished
Nickel | STN
Satin
Nickel | SEG
Satin English
Gold | EG
English
Gold | ULB*
Unlacquered
Brass | EB
English
Bronze |

LIVING
FINISH

RR
DÉCOR
XPRESS



LUXURY ACCELERATED

SHIPS WITHIN TWO BUSINESS DAYS

House of Rohl® is excited to launch DécorXpress. DécorXpress offers exclusive access to our top-selling world renowned collections. These select collections now have unprecedented availability with an expected ship date of two business days.* This improved service level comes at no additional cost to you. Exclusions apply. Scan the QR Code above for details.

Now available for select Kitchen and Bath Collections.

ELIGIBLE COLLECTIONS



ARMSTRONG™

Kitchen | [2](#)



GEORGIAN ERA™

Kitchen | [14](#)



ARMSTRONG

Bath | [34](#)



EDWARDIAN™

Bath | [54](#)

**After order finalization, unless ship date is specified by the customer.*



SELF-SERVICE EXPANDED

WELCOME TO PORTAL

Our new self-service business site expands your capabilities with features to help you check inventory, view returns and see your order history with tracking details and more to help you manage your business efficiently.

Register at connect.houseofrohl.com

NEW SYSTEM CAPABILITIES INCLUDE

- Place new orders
- Submit new RGA request
- Check order status
- Check inventory
- Obtain order confirmations
- Integrated message area with robust editing tools for the system administration
- Get order shipment tracking details
- View and print packing slips
- Details on multi-ship orders
- Customer Administration roles by account for self-service user maintenance
- Search, view and track returns
- Download return authorization



PAIRED WITH EMTEK® AND SCHAUB

EMTEK® AND SCHAUB PAIRED WITH PERRIN & ROWE®

Discover timeless elegance and exceptional craftsmanship with the House of Rohl® portfolio of brands. Explore our curated product selections, thoughtfully chosen to complement each other in design and finish to elevate your space with seamless design harmony.



EMTEK
Hermes Door Lever with Watford Rosette
8110.HER.US3NL

PERRIN & ROWE
Southbank™ Pull-Down Kitchen Faucet
U.SB55D1LMULB



SCHAUB
Haniburton cabinet pull
473-ULB



SCHAUB
Haniburton Cabinet Pull 6"
476.ULB










PERRIN & ROWE
Southbank™ Filter Faucet
U.SB70D1LMULB

COMPLEMENTARY FINISHES








	APC Polished Chrome	PN Polished Nickel	STN Satin Nickel	SEG Satin English Gold	ULB Unlacquered Brass
PERRIN & ROWE					
EMTEK	US26 Polished Chrome	US14 Polished Nickel	US15 Satin Nickel	US4 Satin Brass	US3NL Unlacquered Brass
SCHAUB	26 Polished Chrome	PN Polished Nickel	—	SB Satin Brass	ULB Unlacquered Brass

FINISH GUIDES

KITCHEN COLLECTION

	PRICE STRUCTURE						
	TIER 1	TIER 2 (APC + 35%)			TIER 3 (APC + 50%)		
							
	APC	PN	STN	SEG	EG	ULB	EB
ARMSTRONG	•	•	•	•		•	
EDWARDIAN	•	•	•	•	•	•	•
GEORGIAN ERA	•	•	•	•	○	•	•
HOLBORN	•	•	•	•	○	○	
SOUTHBANK	•	•	•	•	•	•	•
WARRANTY	L	L	L	5	5	X	L


BATH COLLECTION

	PRICE STRUCTURE						
	TIER 1	TIER 2 (APC + 35%)			TIER 3 (APC + 50%)		
							
	APC	PN	STN	SEG	EG	ULB	EB
ARMSTRONG	•	•	•	•	•	•	
DECO	•	•			•		
EDWARDIAN	•	•	•	○	•	○	•
HOLBORN	•	•	•		•	○	
WARRANTY	L	L	L	5	5	X	L

L limited lifetime warranty | **5** 5 year limited warranty (no express warranty for MBU finish) | **X** no express warranty
○ only available on select products


KITCHEN PLATFORM

KITCHEN MAIN PULL-DOWN FAUCET: PRICE STRUCTURE




	TIER 1	TIER 2 (APC + 35%)			TIER 3 (APC + 50%)		
	APC	PN	STN	SEG	EG	ULB	EB
ARMSTRONG	•	•	•	•	•	•	
GEORGIAN ERA	•	•	•	•	•	•	•
HOLBORN	•	•	•	•	•	•	
SOUTHBANK	•	•	•	•	•	•	•

KITCHEN MAIN BRIDGE FAUCET: PRICE STRUCTURE



	TIER 1	TIER 2 (APC + 35%)			TIER 3 (APC + 50%)		
	APC	PN	STN	SEG	EG	ULB	EB
ARMSTRONG	•	•	•	•	•	•	
EDWARDIAN	•	•	•	•	•	•	•
GEORGIAN ERA	•	•	•	•	•	•	•
HOLBORN	•	•	•	•	•	•	
SOUTHBANK	•	•	•	•	•	•	•

KITCHEN PREP/BAR FAUCET: PRICE STRUCTURE



	TIER 1	TIER 2 (APC + 35%)			TIER 3 (APC + 50%)		
	APC	PN	STN	SEG	EG	ULB	EB
ARMSTRONG	•	•	•	•	•	•	
EDWARDIAN	•	•	•	•	•	•	•
GEORGIAN ERA	•	•	•	•	•	•	•
HOLBORN	•	•	•	•	•	•	
SOUTHBANK	•	•	•	•	•	•	•

FINISH GUIDES

KITCHEN PLATFORM

POT FILLER: PRICE STRUCTURE



	TIER 1	TIER 2 (APC + 35%)			TIER 3 (APC + 50%)		
	APC	PN	STN	SEG	EG	ULB	EB
ARMSTRONG	•	•	•	•		•	
EDWARDIAN	•	•	•	•	•	•	•
GEORGIAN ERA	•	•	•	•	•	•	•
HOLBORN	•	•	•	•		•	
SOUTHBANK	•	•	•	•	•	•	•

KITCHEN FILTER FAUCET: PRICE STRUCTURE



	TIER 1	TIER 2 (APC + 35%)			TIER 3 (APC + 50%)		
	APC	PN	STN	SEG	EG	ULB	EB
ARMSTRONG	•	•	•	•		•	
EDWARDIAN	•	•	•	•	•	•	•
GEORGIAN ERA	•	•	•	•	•	•	•
HOLBORN	•	•	•	•	•	•	
SOUTHBANK	•	•	•	•	•	•	•


KITCHEN HOT WATER DISPENSER: PRICE STRUCTURE



	TIER 1	TIER 2 (APC + 35%)			TIER 3 (APC + 50%)		
	APC	PN	STN	SEG	EG	ULB	EB
ARMSTRONG	•	•	•	•		•	
EDWARDIAN	•	•	•	•	•	•	•
GEORGIAN ERA	•	•	•	•	•	•	•
HOLBORN	•	•	•	•			
SOUTHBANK	•	•	•	•	•	•	•


BATH PLATFORM

LAVATORY SINGLE HANDLE FAUCET: PRICE STRUCTURE




	TIER 1	TIER 2 (APC + 35%)			TIER 3 (APC + 50%)		
	APC	PN	STN	SEG	EG	ULB	EB
ARMSTRONG	•	•	•	•	•	•	
DECO	•	•			•		
EDWARDIAN	•	•	•	•	•	•	•
HOLBORN	•	•	•		•	•	

LAVATORY WIDESPREAD FAUCET: PRICE STRUCTURE



	TIER 1	TIER 2 (APC + 35%)			TIER 3 (APC + 50%)		
	APC	PN	STN	SEG	EG	ULB	EB
ARMSTRONG	•	•	•	•	•	•	
DECO	•	•			•		
EDWARDIAN	•	•	•	•	•	•	•
HOLBORN	•	•	•		•	•	

LAVATORY WALL MOUNT FAUCET: PRICE STRUCTURE



	TIER 1	TIER 2 (APC + 35%)			TIER 3 (APC + 50%)		
	APC	PN	STN	SEG	EG	ULB	EB
ARMSTRONG	•	•	•	•	•	•	
DECO	•	•			•		
EDWARDIAN	•	•	•	•	•	•	•
HOLBORN	•	•	•		•	•	

FINISH GUIDES

BATH PLATFORM



TUB FILLER FLOOR MOUNT: PRICE STRUCTURE

	TIER 1	TIER 2 (APC + 35%)			TIER 3 (APC + 50%)		
	APC	PN	STN	SEG	EG	ULB	EB
ARMSTRONG	•	•	•	•	•	•	
DECO	•	•			•		
EDWARDIAN	•	•	•	•	•	•	•
HOLBORN	•	•	•		•	•	



TUB FILLER WALL MOUNT: PRICE STRUCTURE

	TIER 1	TIER 2 (APC + 35%)			TIER 3 (APC + 50%)		
	APC	PN	STN	SEG	EG	ULB	EB
DECO	•	•			•		
EDWARDIAN	•	•	•	•	•	•	•
HOLBORN	•	•	•		•	•	



TUB FILLER DECK MOUNT: PRICE STRUCTURE

	TIER 1	TIER 2 (APC + 35%)			TIER 3 (APC + 50%)		
	APC	PN	STN	SEG	EG	ULB	EB
DECO	•	•			•		
EDWARDIAN	•	•	•	•	•	•	•
HOLBORN	•	•	•		•	•	



TUB FILLER SPOUT: PRICE STRUCTURE

	TIER 1	TIER 2 (APC + 35%)			TIER 3 (APC + 50%)		
	APC	PN	STN	SEG	EG	ULB	EB
ARMSTRONG	•	•	•	•	•	•	
DECO	•	•			•		
EDWARDIAN	•	•	•	•	•	•	•
HOLBORN	•	•	•	•	•	•	












KITCHEN COMPONENTS

KITCHEN ACCESSORIES: PRICE STRUCTURE

	TIER 1	TIER 2 (APC+35%)			TIER 3 (APC+50%)		
	APC	PN	STN	SEG	EG	ULB	EB
 <p>U.6495 Page 31</p>	•	•	•	•		•	
 <p>U.6595 Page 31</p>	•	•	•	•		•	
 <p>U.SB80SD Page 31</p>	•	•	•	•	•	•	•
 <p>U.6695 Page 31</p>	•	•	•	•	•	•	•
 <p>U.6995 Page 31</p>	•	•	•	•	•	•	•
 <p>AG600 Page 32</p>	•	•	•	•	•		•
 <p>AS450 Page 32</p>	•	•	•	•	•		•
 <p>AS425 Page 32</p>	•	•	•	•	•		•
 <p>SHC-1 Page 33</p>	•	•	•		•		•





BATH COMPONENTS

SHOWERHEADS: PRICE STRUCTURE

	TIER 1	TIER 2 (APC+35%)		TIER 3 (APC+50%)			
	APC	PN	STN	SEG	EG	ULB	EB
 WI0123 Page 103	•	•	•				•
 BI00059 Page 103	•	•	•			•	•
 1085/8 Page 103	•	•	•			•	
 1080/8 Page 103	•	•	•			•	
 U.5800 Page 103	•	•	•	•	•		
 U.5205 Page 104	•	•	•	•	•	•	•
 U.5260 Page 104	•	•	•		•		
 U.5135 Page 104	•	•			•		
 U.5235 Page 104	•	•	•	•	•	•	•
 U.80126RS1 Page 104	•	•	•	•	•	•	
 1070/8 Page 105	•	•	•				



















BATH COMPONENTS

SHOWERHEADS: PRICE STRUCTURE

	TIER 1	TIER 2 (APC+35%)			TIER 3 (APC+50%)		
	APC	PN	STN	SEG	EG	ULB	EB
 <p>1037/8 Page 105</p>	•	•	•			•	
 <p>I00410 Page 105</p>	•	•	•				
 <p>U.5204 Page 105</p>	•	•	•	•	•	•	•
 <p>U.5237 Page 105</p>	•	•	•	•	•	•	•



BATH COMPONENTS

SHOWER ARMS: PRICE STRUCTURE

	TIER 1	TIER 2 (APC+35%)		TIER 3 (APC+50%)			
							
	APC	PN	STN	SEG	EG	ULB	EB
 U.7AR27SA Page 106	•	•	•	•	•	•	
 U.5362 Page 106	•	•	•	•	•	•	•
 U.5882 Page 106	•	•	•		•	•	•
 U.5182 Page 106	•	•			•		
 1440/8 Page 106	•	•	•			•	
 1475/12 Page 107	•	•	•			•	
 U.5384 Page 107	•	•	•	•	•	•	•
 U.5884 Page 107	•	•	•		•	•	•
 U.5184 Page 107	•	•			•		
 U.20AR27SA Page 107	•	•	•	•	•	•	
 200127SA Page 108	•	•	•			•	

BATH COMPONENTS



















SHOWER ARMS: PRICE STRUCTURE

	TIER 1	TIER 2 (APC+35%)			TIER 3 (APC+50%)		
	APC	PN	STN	SEG	EG	ULB	EB
 U.5388 Page 108	•	•	•	•	•	•	•
 U.5888 Page 108	•	•	•	•	•	•	•
 1505/6 Page 108	•	•	•			•	
 1505/12 Page 108	•	•	•			•	
 1505/24 Page 109	•	•	•			•	

BATH COMPONENTS




COLLECTION FINISH GUIDES
PLATFORM FINISH GUIDES
COMPONENT FINISH GUIDES
ARMSTRONG
EDWARDIAN
GEORGIAN ERA
HOLBORN
SOUTHBANK
KITCHEN ACCESSORIES

HANDSHOWERS: PRICE STRUCTURE

		TIER 1	TIER 2 (APC+35%)		TIER 3 (APC+50%)			
								
		APC	PN	STN	SEG	EG	ULB	EB
	U.5825 Page 110	•	•	•		•	•	•
	U.5810 Page 110	•	•	•		•		
	40126HS1 Page 110	•	•	•				
	U.5815 Page 110	•	•	•		•		
	U.40226HS1 Page 110	•	•	•	•	•	•	
	1150/8 Page 111	•	•	•				
	1151/8 Page 111	•	•	•			•	
	402HS5 Page 111	•	•	•				
	50226HS3 Page 111	•	•	•				
	U.5387 Page 112	•	•	•	•	•	•	•
	U.5195 Page 113	•	•			•		•

BATH COMPONENTS

HANDSHOWER SETS: PRICE STRUCTURE

		TIER 1	TIER 2 (APC+35%)		TIER 3 (APC+50%)			
		APC	PN	STN	SEG	EG	ULB	EB
	AKIT8073 Page 113	•	•	•				
	1300E Page 113	•	•	•			•	
	1301E Page 113	•	•	•			•	
	1310 Page 113	•	•	•				
	1311 Page 114	•	•	•			•	
	1330 Page 114	•	•	•			•	
	1600 Page 114	•	•	•				
	0126SBHS1 Page 115	•	•	•				

BATH COMPONENTS

SHOWER OUTLET: PRICE STRUCTURE

	TIER 1	TIER 2 (APC+35%)		TIER 3 (APC+50%)			
	APC	PN	STN	SEG	EG	ULB	EB
 <p>U.5546 Page 118</p>	•	•	•	•	•	•	•
 <p>U.5846 Page 118</p>	•	•	•		•	•	
 <p>U.5146 Page 118</p>	•	•			•		
 <p>U.0227W0 Page 118</p>	•	•	•	•	•	•	
 <p>0327W0 Page 119</p>	•	•	•			•	
 <p>0427W0 Page 119</p>	•	•	•			•	

BATH COMPONENTS

BODY SPRAYS: PRICE STRUCTURE



	TIER 1	TIER 2 (APC+35%)		TIER 3 (APC+50%)			
	APC	PN	STN	SEG	EG	ULB	EB
 <p>U.5870 Page 120</p>	•	•	•		•	•	•
 <p>U.5570 Page 120</p>	•	•	•	•	•	•	•
 <p>U.0326BS1 Page 121</p>	•	•	•	•	•	•	
 <p>U.0126BS1 Page 121</p>	•	•	•				
 <p>U.0226BS1 Page 121</p>	•	•	•	•	•	•	



ARMSTRONG™

The strong, streamlined design of the Armstrong Kitchen Collection is inspired by George and Joseph Armstrong, railway engineers whose innovations made an impact during the Industrial Revolution. The Armstrong marries a modern aesthetic with subtle references to its origins. Handles designed like industrial levers have crosshatch nuances. Ring detailing and bolt-like shapes mirror industrial hardware. The Armstrong brings a sense of dynamic precision to a design of minimalist beauty to complement any kitchen décor.

FINISH OPTIONS

- 
 APC
- 
 PN
- 
 STN
- 
 SEG
- 
 ULB
 LIVING
 FINISH



KITCHEN FAUCETS



U.4534
P.4



U.4544
P.4



U.4546
P.4



U.4549
P.4

BAR FAUCETS



U.4543
P.5



U.4513
P.5

FILTRATION FAUCET

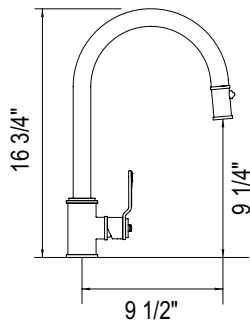


U.1633
P.5

POT FILLER



U.4599
P.5

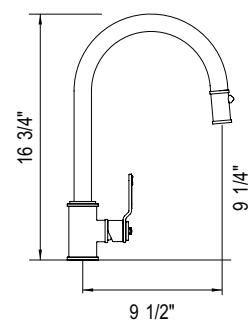


U.4534 Armstrong™ Pull-Down Touchless Kitchen Faucet



Handle	APC	PN	STN	SEG	ULB
U.4534HT-_-2	1838	2482	2482	2757	2757

- 3" (7.62 cm) activation range and 2 minute auto shut-off
- Requires 2 1/2" clearance from backsplash to center of faucet hole
- Dual-spray functionality with stream and spray settings
- Allows for mechanical and touchless activation
- 1.8 GPM/6.8 LPM at 60 PSI (CEC compliant)
- 9/16" speedway compression
- Powered by 6 AA batteries (included) or order optional AC adapter with power splitter U.CC80AC: \$178

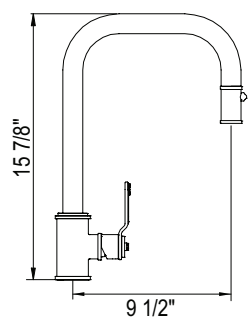


U.4544 Armstrong™ Pull-Down Kitchen Faucet With C-Spout



Handle	APC	PN	STN	SEG	ULB
U.4544HT-_-2	1478	1996	1996	2217	2217

- Dual-spray functionality with stream and spray settings
- 1.8 GPM/6.8 LPM at 60 PSI (CEC compliant)
- 9/16" speedway compression
- Requires 2 1/2" (6.35 cm) clearance from backsplash to center of faucet hole

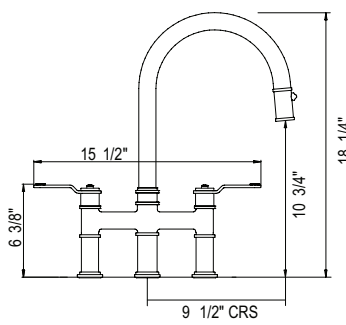


U.4546 Armstrong™ Pull-Down Kitchen Faucet With U-Spout



Handle	APC	PN	STN	SEG	ULB
U.4546HT-_-2	1478	1996	1996	2217	2217

- Dual-spray functionality with stream and spray settings
- 1.8 GPM/6.8 LPM at 60 PSI (CEC compliant)
- 9/16" speedway compression
- Requires 2 1/2" (6.35 cm) clearance from backsplash to center of faucet hole

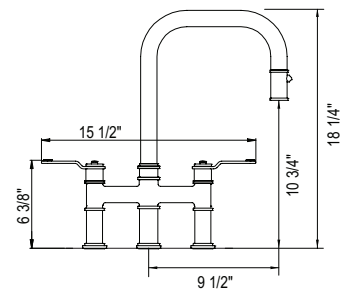


U.4549 Armstrong™ Pull-Down Bridge Kitchen Faucet With C-Spout



Handle	APC	PN	STN	SEG	ULB
U.4549HT-_-2	2088	2819	2819	3132	3132

- Dual-spray functionality with stream and spray settings
- 1.8 GPM/6.8 LPM at 60 PSI (CEC compliant)
- 1/2" male NPSM inlet

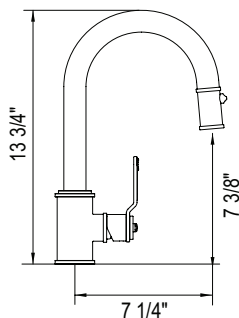
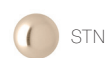


U.4551 Armstrong™ Pull-Down Bridge Kitchen Faucet With U-Spout



Handle	APC	PN	STN	SEG	ULB
U.4551HT-_-2	2088	2819	2819	3132	3132

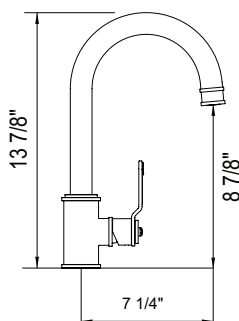
- Dual-spray functionality with stream and spray settings
- 1.8 GPM/6.8 LPM at 60 PSI (CEC compliant)
- 1/2" male NPSM inlet

**U.4543** Armstrong™ Pull-Down Bar/Food Prep Kitchen Faucet

Handle	APC	PN	STN	SEG	ULB
U.4543HT-__-2	1478	1996	1996	2217	2217



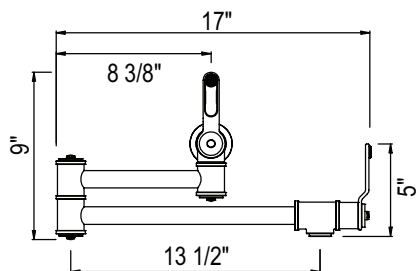
- Dual-spray functionality with stream and spray settings
- 1.8 GPM/6.8 LPM at 60 PSI (CEC compliant)
- 9/16" speedway compression
- Requires 2 1/2" (6.35 cm) clearance from backsplash

**U.4513** Armstrong™ Bar/Food Prep Kitchen Faucet

Handle	APC	PN	STN	SEG	ULB
U.4513HT-__-2	1238	1672	1672	1857	1857



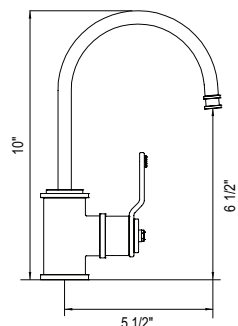
- Single-spray functionality
- 1.8 GPM/6.8 LPM at 60 PSI (CEC compliant)
- 9/16" speedway compression
- Requires 2 1/2" (6.35 cm) clearance from backsplash

**U.4599** Armstrong™ Pot Filler

Handle	APC	PN	STN	SEG	ULB
U.4599HT-__-2	2198	2968	2968	3297	3297



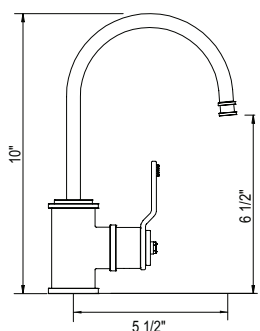
- Dual handle shut-offs, one at the wall and one at the outlet
- Folds away when not in use
- 1.8 GPM/6.8 LPM at 60 PSI
- 1/2" female NPT inlet

**U.KIT1633** Armstrong™ Filter Kitchen Faucet Kit

Handle	APC	PN	STN	SEG	ULB
U.KIT1633HT-__-2	1777	2148	2148	2306	2306



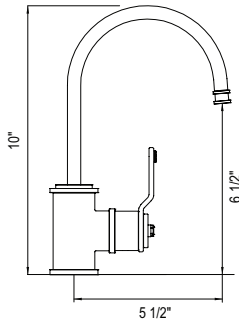
- Top of the line 0.2-micron ceramic filter and active carbon material
- Yields reduced PFA's, lead, heavy metals, bacteria, foul taste and odor
- 0.5 GPM/1.9 LPM at 60 PSI (CEC compliant)
- 3/8" speedway compression
- Includes HRK-2000 filtration system

**U.1633** Armstrong™ Filter Kitchen Faucet

Handle	APC	PN	STN	SEG	ULB
U.1633HT-__-2	1058	1429	1429	1587	1587



- May be used with HRK-2000 inline filter system
- Not suitable for reverse osmosis systems or instant hot systems
- 0.5 GPM/1.9 LPM at 60 PSI (CEC compliant)
- 3/8" speedway compression



U.KIT1833 Armstrong™ Hot Water and Kitchen Filter Faucet Kit



	APC	PN	STN	SEG	ULB
U.KIT1833HT-_-2	2551	3444	3444	3827	3827



- Pull handle forward for filtered water, push backward for instant filtered hot water
- Water activates by pushing handle inwards toward spout
- 0.5 GPM/1.9 LPM at 45 PSI (CEC compliant)
- 3/8" speedway compression
- Order U.1408 for replacement filtration system
- Includes U.1998 Hot water tank and U.1408 filtration system
- For replacement filter cartridge, order U.PRF1: \$168
- Recommend changing filter every 6 months or 1,000 gallons/3785 liters





EDWARDIAN™

The Edwardian era of the early 1900s was the start of the modern age, when design looked both forward and back. It combined a spirit of optimism with classical style and Neo-Baroque detail. The Edwardian Kitchen Collection follows this look with a tall faucet column and a distinctive curved, question-mark neck. Rounded shapes and ring detailing on the base, neck, and spout add dimension and personality. In the Edwardian age people loved to show off their homes, and this Collection most definitely makes a style statement meant to be shown off.

FINISH OPTIONS



APC

PN

STN

SEG

EG

ULB

LIVING
FINISH

EB

HANDLE DESIGNS



L OR LS

X

KITCHEN FAUCETS



U.4756L OR U.4755X
[P.10](#)



U.4766
[P.10](#)



U.4746
[P.10](#)



U.4776L
[P.10](#)

BAR FAUCETS



U.4739
[P.10](#)



U.4759
[P.11](#)

FILTRATION FAUCET

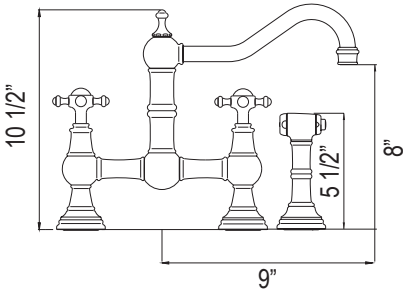


U.1621
[P.11](#)

POT FILLER



U.4799LS
[P.11](#)



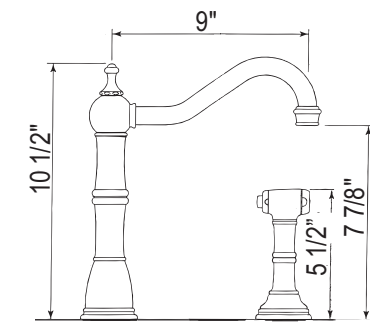
U.4756L OR U.4755X Edwardian™ Bridge Kitchen Faucet With Side Spray



Handle	APC	PN	STN	SEG	EG	ULB	EB
U.4755X-	-2	3328	4493	4493	4992	4992	4992
U.4756L-	-2	3328	4493	4493	4992	4992	4992



- Single-spray functionality
- 1.5 GPM/5.69 LPM at 60 PSI (CEC compliant)
- 3/8" speedway compression



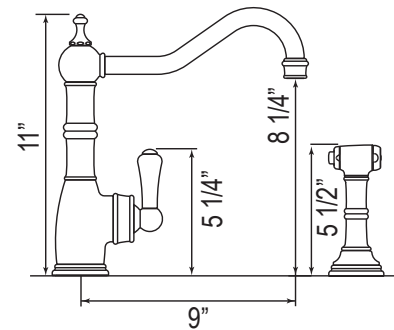
U.4776 Edwardian™ Two Handle Kitchen Faucet With Side Spray



Handle	APC	PN	STN	SEG	EG	ULB	EB
U.4776L-	-2	2848	3845	3845	4272	4272	4272



- Single-spray functionality
- 1.8 GPM/6.8 LPM at 60 PSI (CEC compliant)
- 9/16" speedway compression



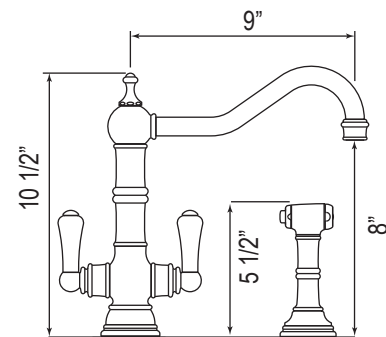
U.4746 Edwardian™ Kitchen Faucet With Side Spray



Handle	APC	PN	STN	SEG	EG	ULB	EB
U.4746	-2	2248	3035	3035	3372	3372	3372



- Water activates by pushing handle inwards toward spout
- Single-spray functionality
- 1.8 GPM/6.8 LPM at 60 PSI (CEC compliant)
- 9/16" speedway compression
- Requires 2 1/2" (6.35 cm) clearance from backsplash to center of faucet hole



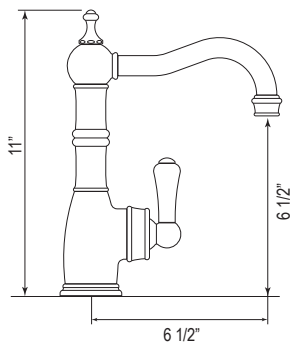
U.4766 Edwardian™ Two Handle Kitchen Faucet With Side Spray



Handle	APC	PN	STN	SEG	EG	ULB	EB
U.4766	-2	2418	3265	3265	3627	3627	3627



- Single-spray functionality
- 1.8 GPM/6.8 LPM at 60 PSI (CEC compliant)
- 9/16" speedway compression



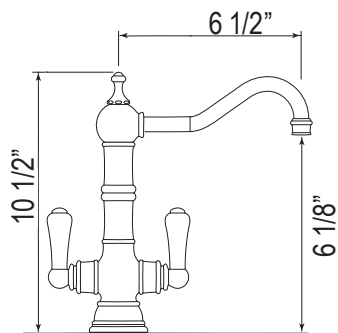
U.4739 Edwardian™ Bar/Food Prep Kitchen Faucet



Handle	APC	PN	STN	SEG	EG	ULB	EB
U.4739	-2	1578	2131	2131	2367	2367	2367



- Water activates by pushing handle inwards toward spout
- Single-spray functionality
- 1.8 GPM/6.8 LPM at 60 PSI (CEC compliant)
- 9/16" speedway compression
- Requires 2 1/2" (6.35 cm) clearance from backsplash



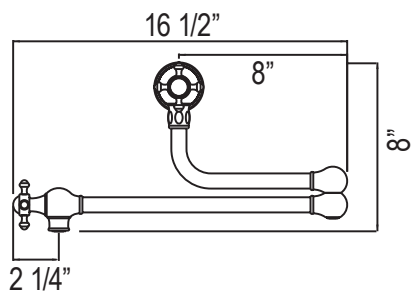
U.4759 Edwardian™ Two Handle Bar/Food Prep Kitchen Faucet



Handle	APC	PN	STN	SEG	EG	ULB	EB
U.4759--2	1698	2293	2293	2547	2547	2547	2547



- Single-spray functionality
- 1.8 GPM/6.8 LPM at 60 PSI (CEC compliant)
- 9/16" speedway compression



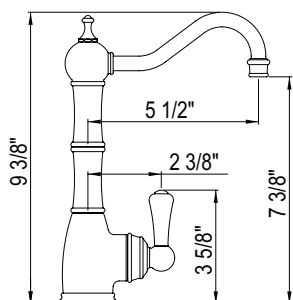
U.4799LS OR U.4798X Traditional Pot Filler



Handle	APC	PN	STN	SEG	EG	ULB	EB
U.4798X--2	2118	2860	2860	3177	3177	3177	3177
U.4799LS--2	2118	2860	2860	3177	3177	3177	3177



- Dual handle shut-offs, one at the wall and one at the outlet
- Folds away when not in use
- Coordinates with Edwardian™ and Georgian Era™ Collections
- 1.8 GPM/6.8 LPM at 60 PSI
- 1/2" female NPT inlet



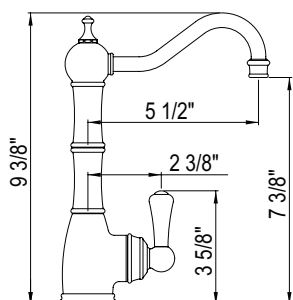
U.KIT1621 Edwardian™ Filter Kitchen Faucet Kit



Handle	APC	PN	STN	SEG	EG	ULB	EB
U.KIT1621L--2	2137	2634	2634	2846	2846	2846	2846



- Top of the line 0.2-micron ceramic filter and active carbon material
- Yields reduced PFA's, lead, heavy metals, bacteria, foul taste and odor
- 0.5 GPM/1.9 LPM at 60 PSI (CEC compliant)
- 3/8" speedway compression
- Includes HRK-2000 filtration system



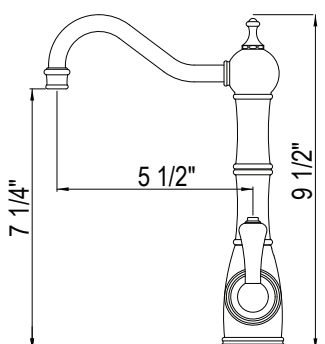
U.1621 Edwardian™ Filter Kitchen Faucet



Handle	APC	PN	STN	SEG	EG	ULB	EB
U.1621L--2	1418	1915	1915	2127	2127	2127	2127



- May be used with HRK-2000 inline filter system
- Not suitable for reverse osmosis systems or instant hot systems
- 0.5 GPM/1.9 LPM at 60 PSI (CEC compliant)
- 3/8" speedway compression

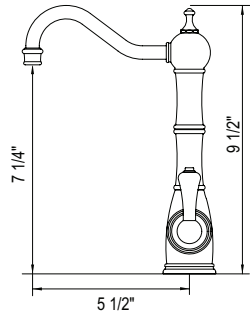


U.KIT1323 Edwardian™ Hot Water Dispenser, Tank And Filter Kit

Handle	APC	PN	STN	SEG	EG	ULB	EB
U.KIT1323LS--2	2762	3196	3196	3381	3381	3381	3381



- 0.5 GPM/1.9 LPM at 45 PSI (CEC compliant)
- 3/8" speedway compression
- For replacement filter cartridge, order U.PRF1: \$168
- Includes U.1998 hot water tank and U.1106 filtration system



U.1323 Edwardian™ Hot Water Dispenser



Handle	APC	PN	STN	SEG	EG	ULB	EB
U.1323LS-_-2	1238	1672	1672	1857	1857	1857	1857

- 0.5 GPM/1.9 LPM at 45 PSI (CEC compliant)
- 3/8" speedway compression
- Only compatible with the Perrin & Rowe U.1998 high performance hot water tank and U.1106 filter system
- Does not work with ISE tank systems



COLLECTION
FINISH GUIDES

PLATFORM
FINISH GUIDES

COMPONENT
FINISH GUIDES

ARMSTRONG

EDWARDIAN

GEORGIAN ERA

HOLBORN

SOUTHBANK

KITCHEN
ACCESSORIES



GEORGIAN ERA™

The Georgian period was a time of gentility and decorum, when design looked to classic Greek and Roman architecture for inspiration. The Georgian Era Kitchen Collection carries on this tradition of perfected proportion. A tall column that flows into the high arc of the neck is balanced by a subtle fluted tip and ring details around the base and spout. This Neoclassical style has resonance for today as its symmetry, simplicity, and aristocratic understatement complement all décors.

FINISH OPTIONS



APC



PN



STN



SEG



EG

ULB
LIVING
FINISH

EB

HANDLE DESIGNS



L OR LS



X

GEORGIAN ERA™

KITCHEN FAUCETS



U.4734
[P.16](#)



U.4744
[P.16](#)



U.4791
[P.16](#)



U.4719L
[P.17](#)

BAR FAUCETS



U.4700
[P.18](#)



U.4743
[P.18](#)



U.4711
[P.18](#)

FILTRATION FAUCETS



U.1220
[P.19](#)

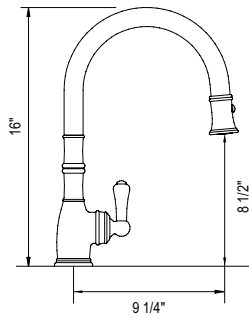


U.1625
[P.19](#)

POT FILLER



U.4799LS
[P.18](#)



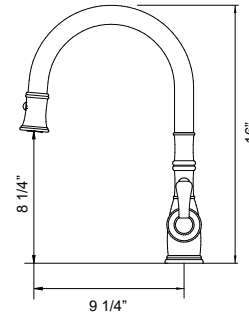
U.4734 Georgian Era™ Pull-Down Touchless Kitchen Faucet



	APC	PN	STN	SEG	ULB	EB
U.4734 -2	1988	2684	2684	2982	2982	2982



- 3" (7.62 cm) activation range and 2 minute auto shut-off
- Requires 2 1/2" clearance from backsplash to center of faucet hole
- Dual-spray functionality with stream and spray settings
- Allows for mechanical and touchless activation
- 1.8 GPM/6.8 LPM at 60 PSI (CEC compliant)
- 9/16" speedway compression
- Powered by 6 AA batteries (included) or order optional AC adapter with power splitter U.CC80AC: \$178



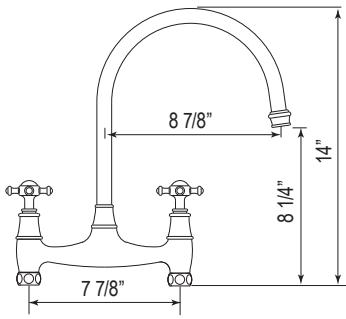
U.4744 Georgian Era™ Pull-Down Kitchen Faucet



Handle	APC	PN	STN	SEG	EG	ULB	EB
U.4744 -2	1628	2198	2198	2442	2442	2442	2442



- Requires 2 1/2" (6.35 cm) clearance from backsplash to center of faucet hole
- Water activates by pushing handle inwards toward spout
- Dual-spray functionality with stream and spray settings
- 1.8 GPM/6.8 LPM at 60 PSI (CEC compliant)
- 9/16" speedway compression
- Requires 2 1/2" (6.35 cm) clearance from backsplash



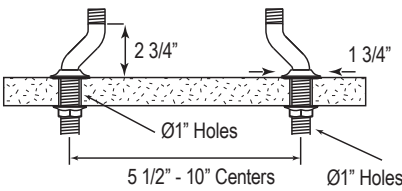
U.4791 Georgian Era™ Bridge Kitchen Faucet Without Unions



Handle	APC	PN	STN	SEG	EG	ULB	EB
U.4791L -2	1508	2036	2036	2262	2262	2262	2262



- Single-spray functionality
- 1.5 GPM/5.69 LPM at 60 PSI (CEC compliant)
- 1/2" female NPT inlet
- Unions sold separately:
— For wall mount or deck mount installation, order U.6792, U.6793 or U.6794

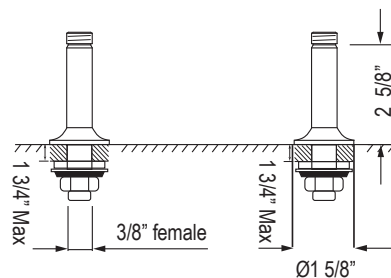


U.6793 Georgian Era™ Bridge Kitchen Faucet Deck Unions

	APC	PN	STN	SEG	EG	ULB	EB
U.6793 -2	678	916	916	1017	1017	1017	1017



- 1/2" male NPT inlet
- Use with U.4790X or U.4791L bridge kitchen faucets
- Not for use with U.4718X or U.4719L



U.6794 Georgian Era™ Bridge Faucet Straight Deck Unions

	APC	PN	STN	SEG	EG	ULB	EB
U.6794 -2	678	916	916	1017	1017	1017	1017



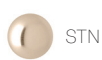
- 1/2" male NPT inlet
- Use with U.4790X or U.4791L bridge kitchen faucets



APC



PN



STN



SEG



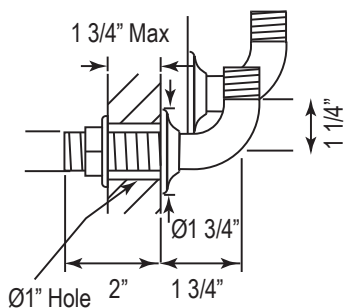
EG



ULB

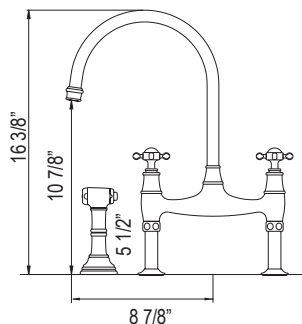


EB

**U.6792 Georgian Era™ Bridge Kitchen Faucet Wall Unions**

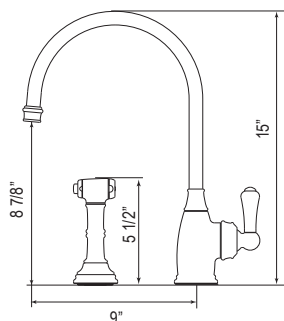
	APC	PN	STN	SEG	EG	ULB	EB
U.6792_-2	678	916	916	1017	1017	1017	1017

- 1/2" male NPT inlet
- Use with U.4790X or U.4791L bridge kitchen faucets
- Not for use with U.4718X or U.4719L

**U.4719L OR U.4718X Georgian Era™ Bridge Kitchen Faucet With Side Spray**

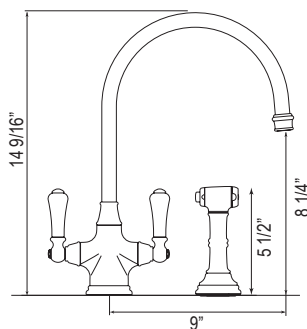
Handle	APC	PN	STN	SEG	EG	ULB	EB
U.4718X--2	2588	3494	3494	3882	3882	3882	3882
U.4719L--2	2588	3494	3494	3882	3882	3882	3882

- Single-spray functionality
- 1.5 GPM/5.69 LPM at 60 PSI (CEC compliant)
- 1/2" male NPSM inlet

**U.4702 Georgian Era™ Kitchen Faucet With Side Spray**

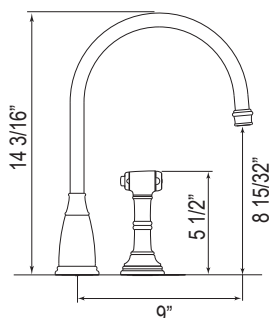
Handle	APC	PN	STN	SEG	EG	ULB	EB
U.4702_-2	2538	3427	3427	3807	3807	3807	3807

- Water activates by pushing handle inwards toward spout
- Single-spray functionality
- 1.8 GPM/6.8 LPM at 60 PSI (CEC compliant)
- 9/16" speedway compression
- Requires 2 1/2" (6.35 cm) clearance from backsplash to center of faucet hole

**U.4710 Georgian Era™ Two Handle Kitchen Faucet With Side Spray**

Handle	APC	PN	STN	SEG	EG	ULB	EB
U.4710_-2	2538	3427	3427	3807	3807	3807	3807

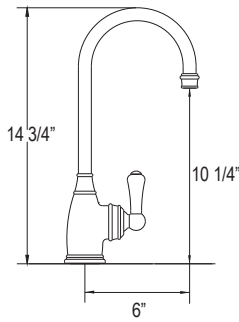
- Single-spray functionality
- 1.8 GPM/6.8 LPM at 60 PSI (CEC compliant)
- 9/16" speedway compression

**U.4736L OR U.4735X Georgian Era™ Two Handle Kitchen Faucet With Side Spray**

Handle	APC	PN	STN	SEG	EG	ULB	EB
U.4735X--2	2648	3575	3575	3972	3972	3972	3972
U.4736L--2	2648	3575	3575	3972	3972	3972	3972

- Single-spray functionality
- 1.8 GPM/6.8 LPM at 60 PSI (CEC compliant)
- 9/16" speedway compression





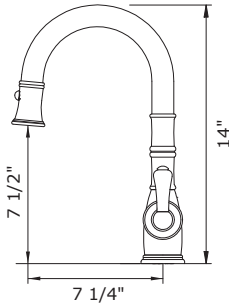
U.4700 Georgian Era™ Bar/Food Prep Kitchen Faucet



Handle	APC	PN	STN	SEG	EG	ULB	EB
U.4700	-2	1278	1726	1726	1917	1917	1917



- Water activates by pushing handle inwards toward spout
- Single-spray functionality
- 1.8 GPM/6.8 LPM at 60 PSI (CEC compliant)
- 9/16" speedway compression
- Requires 2 1/2" (6.35 cm) clearance from backsplash



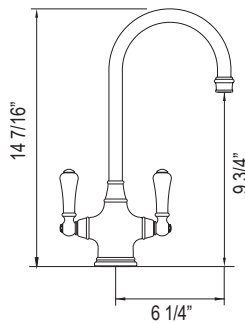
U.4743 Georgian Era™ Pull-Down Bar/Food Prep Kitchen Faucet



Handle	APC	PN	STN	SEG	EG	ULB	EB
U.4743	-2	1628	2198	2198	2442	2442	2442



- Water activates by pushing handle inwards toward spout
- Dual-spray functionality with stream and spray settings
- 1.8 GPM/6.8 LPM at 60 PSI (CEC compliant)
- 9/16" speedway compression
- Requires 2 1/2" (6.35 cm) clearance from backsplash



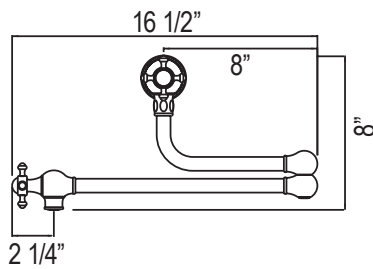
U.4711 Georgian Era™ Two Handle Bar/Food Prep Kitchen Faucet



Handle	APC	PN	STN	SEG	EG	ULB	EB
U.4711	-2	1278	1726	1726	1917	1917	1917



- Single-spray functionality
- 1.8 GPM/6.8 LPM at 60 PSI (CEC compliant)
- 9/16" speedway compression



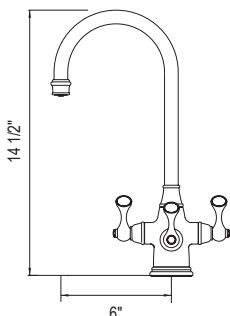
U.4799LS OR U.4798X Traditional Pot Filler



Handle	APC	PN	STN	SEG	EG	ULB	EB
U.4798X	-2	2118	2860	2860	3177	3177	3177
U.4799LS	-2	2118	2860	2860	3177	3177	3177



- Dual handle shut-offs, one at the wall and one at the outlet
- Folds away when not in use
- Coordinates with Edwardian™ and Georgian Era™ Collections
- 1.8 GPM/6.8 LPM at 60 PSI
- 1/2" female NPT inlet



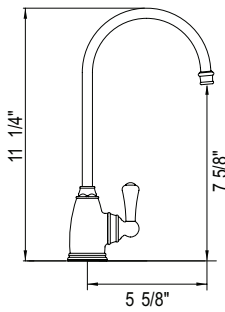
U.KIT1220 Georgian Era™ Three Handle Bar/Food Prep Filter Kitchen Faucet Kit



Handle	APC	PN	STN	SEG	EG	ULB	EB
U.KIT1220LS	-2	2447	3052	3052	3311	3311	3311



- Center handle activates filtered water through dedicated waterway
- Top of the line 0.2-micron ceramic filter and active carbon material
- Yields reduced PFA's, lead, heavy metals, bacteria, foul taste and odor
- 1.5 GPM/5.69 LPM at 60 PSI, 0.5 GPM/1.9 LPM filtered water (CEC compliant)
- 3/8" speedway compression
- Includes HRK-2000 filtration system



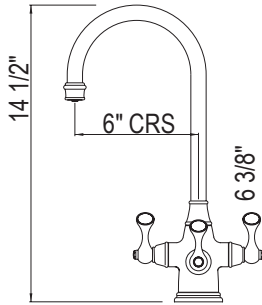
U.KIT1625 Georgian Era™ Filter Kitchen Faucet Kit



Handle	APC	PN	STN	SEG	EG	ULB	EB
U.KIT1625L--2	1957	2391	2391	2576	2576	2576	2576



- Top of the line 0.2-micron ceramic filter and active carbon material
- Yields reduced PFA's, lead, heavy metals, bacteria, foul taste and odor
- 0.5 GPM/1.9 LPM at 60 PSI (CEC compliant)
- 3/8" speedway compression
- Includes HRK-2000 filtration system



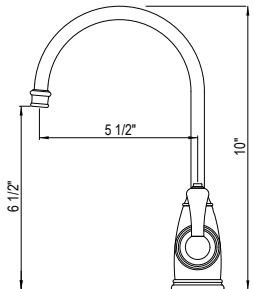
U.1220 Georgian Era™ Three Handle Bar/Food Prep Filter Kitchen Faucet



Handle	APC	PN	STN	SEG	EG	ULB	EB
U.1220LS--2	1728	2333	2333	2592	2592	2592	2592



- Center handle activates filtered water through dedicated waterway
- Not suitable for reverse osmosis systems or instant hot systems
- 1.5 GPM/5.69 LPM at 60 PSI, 0.5 GPM/1.9 LPM filtered water (CEC compliant)
- 3/8" speedway compression
- May be used with HRK-2000 inline filter system

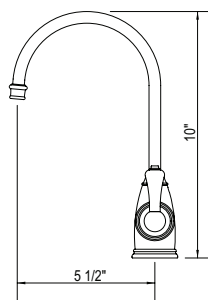


U.KIT1307 Georgian Era™ Hot Water Dispenser, Tank And Filter Kit

Handle	APC	PN	STN	SEG	EG	ULB	EB
U.KIT1307LS--2	2762	3196	3196	3381	3381	3381	3381



- 0.5 GPM/1.9 LPM at 45 PSI (CEC compliant)
- 3/8" speedway compression
- For replacement filter cartridge, order U.PRF1: \$168
- Includes U.1998 hot water tank and U.1106 filtration system

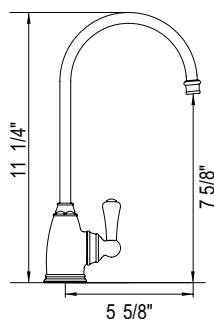


U.1307 Georgian Era™ Hot Water Dispenser

Handle	APC	PN	STN	SEG	EG	ULB	EB
U.1307LS--2	1238	1672	1672	1857	1857	1857	1857



- 0.5 GPM/1.9 LPM at 45 PSI (CEC compliant)
- 3/8" speedway compression
- Only compatible with the Perrin & Rowe U.1998 high performance hot water tank and U.1106 filter system
- Does not work with ISE tank systems



U.1625 Georgian Era™ Filter Kitchen Faucet



Handle	APC	PN	STN	SEG	EG	ULB	EB
U.1625L--2	1238	1672	1672	1857	1857	1857	1857



- May be used with HRK-2000 inline filter system
- Not suitable for reverse osmosis systems or instant hot systems
- 0.5 GPM/1.9 LPM at 60 PSI (CEC compliant)
- 3/8" speedway compression



HOLBORN™

Holborn may be one of the oldest districts of London, but it's constantly reinventing itself. Now it boasts some of the more celebrated modern structures in the city. The Holborn Kitchen Collection takes after London's innovative, of-the-moment architecture. Clean and sleek, virtually devoid of ornamentation, the Holborn's long neck and curved arc express movement and flow. While it's definitively a minimalist form, the timeless purity of its silhouette makes a bold statement.

FINISH OPTIONS



APC



PN



STN



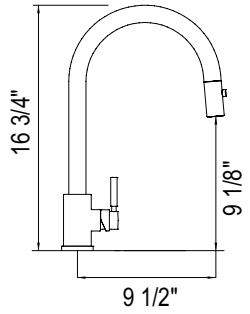
SEG



EG

ULB
LIVING
FINISH

KITCHEN FAUCETSU.4034
[P.22](#)U.4273LS
[P.22](#)U.4846
[P.23](#)U.4312
[P.23](#)**BAR FAUCETS**U.4043
[P.23](#)U.4842
[P.23](#)U.4213
[P.23](#)**FILTRATION FAUCET**U.1601
[P.24](#)**POT FILLER**U.4899
[P.24](#)

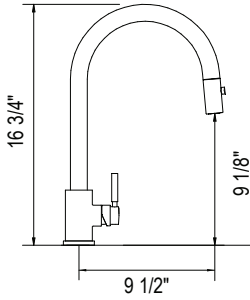


U.4034 Holborn™ Pull-Down Touchless Kitchen Faucet



Handle	APC	PN	STN	SEG	ULB
U.4034LS- -2	2008	2711	2711	3012	3012

- 3" (7.62 cm) activation range and 2 minute auto shut-off
- Requires 2 1/2" clearance from backsplash to center of faucet hole
- Dual-spray functionality with stream and spray settings
- Allows for mechanical and touchless activation
- 1.8 GPM/6.8 LPM at 60 PSI (CEC compliant)
- 9/16" speedway compression
- Powered by 6 AA batteries (included) or order optional AC adapter with power splitter U.CC80AC: \$178

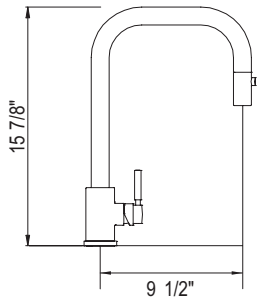


U.4044 Holborn™ Pull-Down Kitchen Faucet With C-Spout



Handle	APC	PN	STN	SEG	EG	ULB
U.4044 -2	1658	2239	2239	2487	2487	2487

- Dual-spray functionality with stream and spray settings
- 1.8 GPM/6.8 LPM at 60 PSI (CEC compliant)
- 9/16" speedway compression
- Requires 2 1/2" (6.35 cm) clearance from backsplash

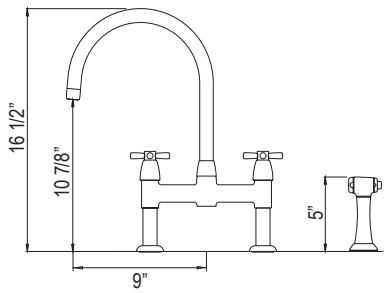


U.4046 Holborn™ Pull-Down Kitchen Faucet With U-Spout



Handle	APC	PN	STN	SEG	EG	ULB
U.4046L- -2	1658	2239	2239	2487	2487	2487

- Dual-spray functionality with stream and spray settings
- 1.8 GPM/6.8 LPM at 60 PSI (CEC compliant)
- 9/16" speedway compression
- Requires 2 1/2" (6.35 cm) clearance from backsplash

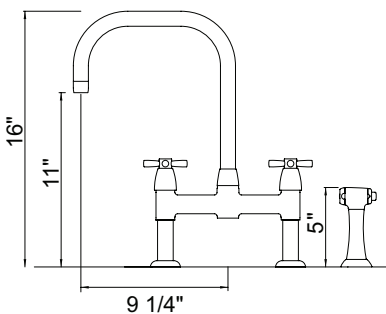


U.4273 Holborn™ Bridge Kitchen Faucet With C-Spout and Side Spray



Handle	APC	PN	STN	SEG	EG	ULB
U.4273LS- -2	2868	3872	3872	4302	4302	4302

- Single-spray functionality
- 1.5 GPM/5.69 LPM at 60 PSI (CEC compliant)
- 1/2" male NPSM inlet



U.4279 Holborn™ Bridge Kitchen Faucet With U-Spout and Side Spray



Handle	APC	PN	STN	SEG	EG	ULB
U.4279LS- -2	2868	3872	3872	4302	4302	4302

- Single-spray functionality
- 1.5 GPM/5.69 LPM at 60 PSI (CEC compliant)
- 1/2" male NPSM inlet



APC



PN



STN



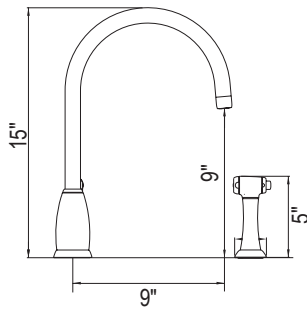
SEG



EG

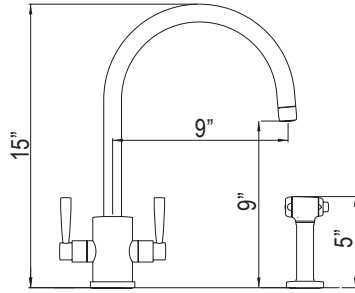


ULB

**U.4846 Holborn™ Kitchen Faucet With Side Spray**

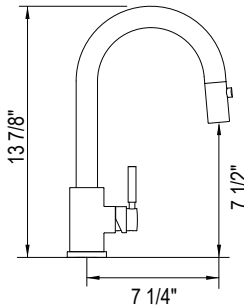
Handle	APC	PN	STN	SEG	ULB
U.4846LS--2	2008	2711	2711	3012	3012

- Water activates by pushing handle inwards toward spout
- Single-spray functionality
- 1.8 GPM/6.8 LPM at 60 PSI (CEC compliant)
- 1/2" female NPSM inlet
- Requires 2 1/2" (6.35 cm) clearance from backsplash to center of faucet hole

U.4312 Holborn™ Two Handle Kitchen Faucet With Side Spray

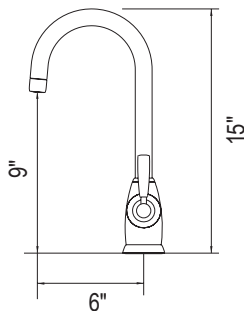
Handle	APC	PN	STN	SEG
U.4312LS--2	1838	2482	2482	2757

- Single-spray functionality
- 1.8 GPM/6.8 LPM at 60 PSI (CEC compliant)
- 9/16" speedway compression

U.4043 Holborn™ Pull-Down Bar/Food Prep Kitchen Faucet

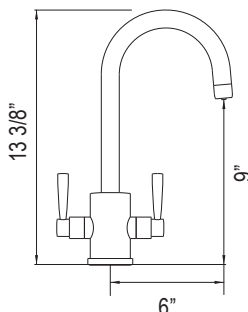
Handle	APC	PN	STN	SEG	EG	ULB
U.4043--2	1658	2239	2239	2487	2487	2487

- Dual-spray functionality with stream and spray settings
- 1.8 GPM/6.8 LPM at 60 PSI (CEC compliant)
- 9/16" speedway compression
- Requires 2 1/2" (6.35 cm) clearance from backsplash

U.4842 Holborn™ Bar/Food Prep Kitchen Faucet

Handle	APC	PN	STN	SEG	ULB
U.4842LS--2	1418	1915	1915	2127	2127

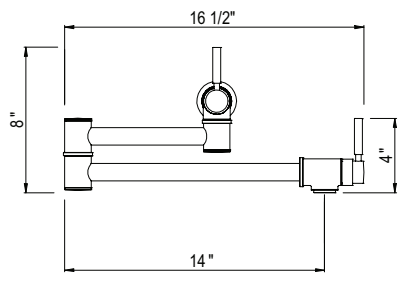
- Water activates by pushing handle inwards toward spout
- Single-spray functionality
- 1.5 GPM/5.69 LPM at 60 PSI (CEC compliant)
- 1/2" female NPSM inlet
- Requires 2 1/2" (6.35 cm) clearance from backsplash

U.4213 Holborn™ Two Handle Bar/Food Prep Kitchen Faucet

Handle	APC	PN	STN	SEG	ULB
U.4213LS--2	1178	1591	1591	1767	1767

- Single-spray functionality
- 1.8 GPM/6.8 LPM at 60 PSI (CEC compliant)
- 9/16" speedway compression

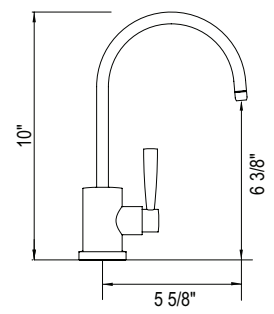
U.4899 Holborn™ Pot Filler



	APC	PN	STN	SEG	ULB
U.4899LS-_-2	2318	3130	3130	3477	3477

- Dual handle shut-offs, one at the wall and one at the outlet
- Folds away when not in use
- 1.8 GPM/6.8 LPM at 60 PSI
- 1/2" female NPT inlet

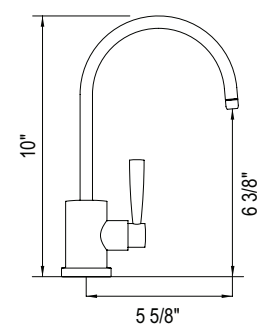
U.KIT1601 Holborn™ Filter Kitchen Faucet Kit



Handle	APC	PN	STN	SEG	EG	ULB
U.KIT1601L-_-2	1837	2229	2229	2396	2396	2396

- Top of the line 0.2-micron ceramic filter and active carbon material
- Yields reduced PFA's, lead, heavy metals, bacteria, foul taste and odor
- 0.5 GPM/1.9 LPM at 60 PSI (CEC compliant)
- 3/8" speedway compression
- Includes HRK-2000 filtration system

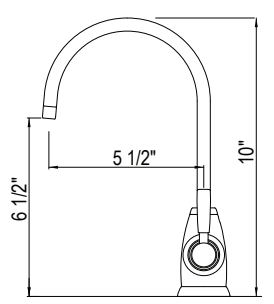
U.1601 Holborn™ Filter Kitchen Faucet



Handle	APC	PN	STN	SEG	EG	ULB
U.1601L-_-2	1118	1510	1510	1677	1677	1677

- May be used with HRK-2000 inline filter system
- Not suitable for reverse osmosis systems or instant hot systems
- 0.5 GPM/1.9 LPM at 60 PSI (CEC compliant)
- 3/8" speedway compression

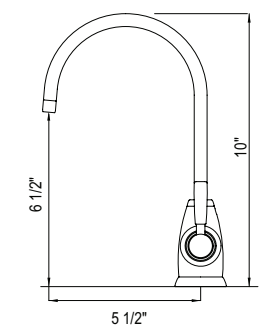
U.KIT1347 Holborn™ Hot Water Dispenser, Tank And Filter Kit



Handle	APC	PN	STN	SEG	EG
U.KIT1347LS-_-2	2642	3034	3034	3201	3201

- 0.5 GPM/1.9 LPM at 45 PSI (CEC compliant)
- 3/8" speedway compression
- For replacement filter cartridge, order U.PRF1: \$168
- Includes U.1998 hot water tank and U.1106 filtration system

U.1347 Holborn™ Hot Water Dispenser



Handle	APC	PN	STN	SEG	EG
U.1347LS-_-2	1118	1510	1510	1677	1677

- 0.5 GPM/1.9 LPM at 45 PSI (CEC compliant)
- 3/8" speedway compression
- Only compatible with the Perrin & Rowe U.1998 high performance hot water tank and U.1106 filter system
- Does not work with ISE tank systems





SOUTHBANK™

The Southbank Collection takes its name from the vibrant neighborhood of London where Mid-century architecture predominates. Past and present merge harmoniously here, just as they do in the Southbank Collection. Flourishes of Mid-century curves and contours enhance elegant, classic design. The straight lines of the handles and rounded detailing echo elements characteristic of Mid-century furniture. Yet, the Southbank Collection stands apart from its inspiration to create its own rich aesthetic and flow—arresting, rhythmic, and refined.

FINISH OPTIONS



APC



PN



STN



SEG



EG

ULB
LIVING
FINISH

EB

KITCHEN FAUCETS

U.SB53D1
P.28



U.SB55D1
P.28



U.SB58D3
P.28



U.SB57D3
P.28

BAR FAUCETS

U.SB65D1
P.28



U.SB60D1
P.29

FILTRATION FAUCETS

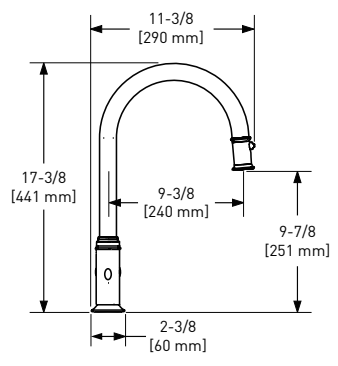
U.SB70D1
P.29



U.SB72D1
P.29

POT FILLER

U.SB62W1
P.29



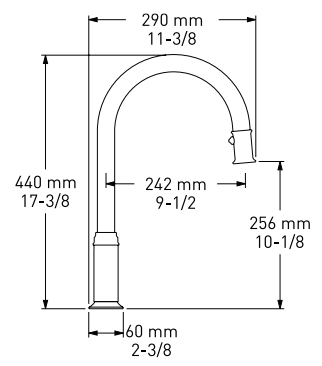
U.SB53D1 Southbank™ Pull-Down Touchless Kitchen Faucet



	APC	PN	STN	SEG	EG	ULB	EB
U.SB53D1LM	1838	2482	2482	2757	2757	2757	2757



- 3" (7.62 cm) activation range and 2 minute auto shut-off
- Requires 2 1/2" clearance from backsplash to center of faucet hole
- Dual-spray functionality with stream and spray settings
- Allows for mechanical and touchless activation
- 1.8 GPM/6.8 LPM at 60 PSI (CEC compliant)
- 9/16" speedway compression
- Powered by 6 AA batteries (included) or order optional AC adapter with power splitter U.CC80AC: \$178



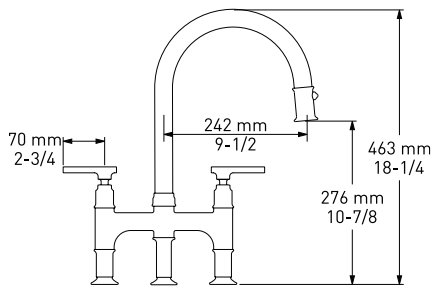
U.SB55D1 Southbank™ Pull-Down Kitchen Faucet



	APC	PN	STN	SEG	EG	ULB	EB
U.SB55D1LM	1478	1996	1996	2217	2217	2217	2217



- Dual-spray functionality with stream and spray settings
- 1.8 GPM/6.8 LPM at 60 PSI (CEC compliant)
- 9/16" speedway compression
- Requires 2 1/2" (6.35 cm) clearance from backsplash to center of faucet hole



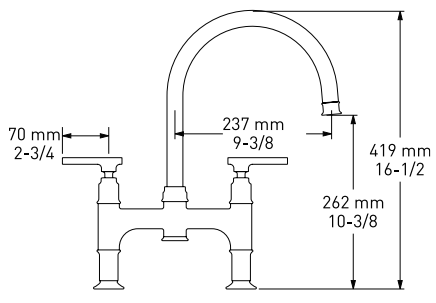
U.SB58D3 Southbank™ Pull-Down Bridge Kitchen Faucet



	APC	PN	STN	SEG	EG	ULB	EB
U.SB58D3LM	2088	2819	2819	3132	3132	3132	3132



- Dual-spray functionality with stream and spray settings
- 1.8 GPM/6.8 LPM at 60 PSI (CEC compliant)
- 1/2" male NPSM inlet



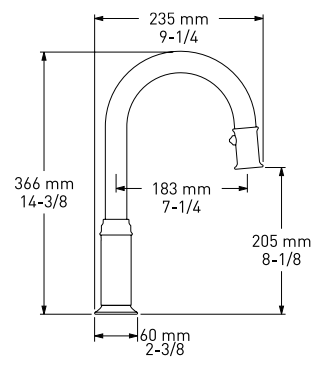
U.SB57D3 Southbank™ Bridge Kitchen Faucet With Side Spray



	APC	PN	STN	SEG	EG	ULB	EB
U.SB57D3LM	2358	3184	3184	3537	3537	3537	3537



- Single-spray functionality
- 1.5 GPM/5.69 LPM at 60 PSI (CEC compliant)
- 1/2" male NPSM inlet



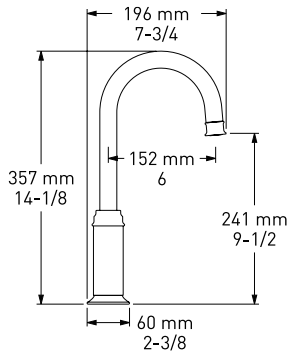
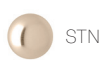
U.SB65D1 Southbank™ Pull-Down Bar/Food Prep Kitchen Faucet



	APC	PN	STN	SEG	EG	ULB	EB
U.SB65D1LM	1478	1996	1996	2217	2217	2217	2217



- Dual-spray functionality with stream and spray settings
- 1.8 GPM/6.8 LPM at 60 PSI (CEC compliant)
- 9/16" speedway compression
- Requires 2 1/2" (6.35 cm) clearance from backsplash



U.SB60D1 Southbank™ Bar/Food Prep Kitchen Faucet



	APC	PN	STN	SEG	EG	ULB	EB
U.SB60D1LM	1238	1672	1672	1857	1857	1857	1857

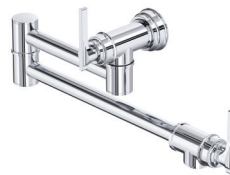
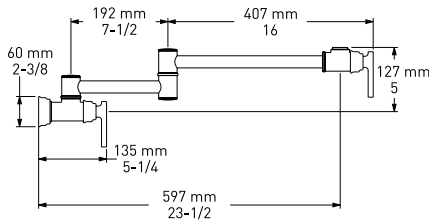


- Single-spray functionality
- 1.8 GPM/6.8 LPM at 60 PSI (CEC compliant)
- 9/16" speedway compression
- Requires 2 1/2" (6.35 cm) clearance from backsplash

U.SB62W1 Southbank™ Pot Filler



	APC	PN	STN	SEG	EG	ULB	EB
U.SB62W1LM	2198	2968	2968	3297	3297	3297	3297

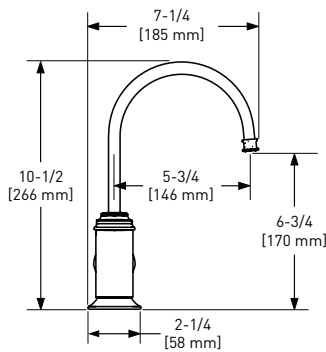


- Dual handle shut-offs, one at the wall and one at the outlet
- Folds away when not in use
- 1.8 GPM/6.8 LPM at 60 PSI
- 1/2" female NPT inlet

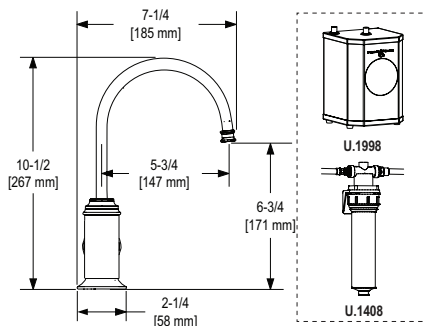
U.SB70D1 Southbank™ Filter Kitchen Faucet



	APC	PN	STN	SEG	EG	ULB	EB
U.SB70D1LM	1058	1429	1429	1587	1587	1587	1587



- May be used with HRK-2000 inline filter system
- Not suitable for reverse osmosis systems or instant hot systems
- 1.8 GPM/6.8 LPM at 60 PSI (CEC compliant)
- 3/8" speedway compression

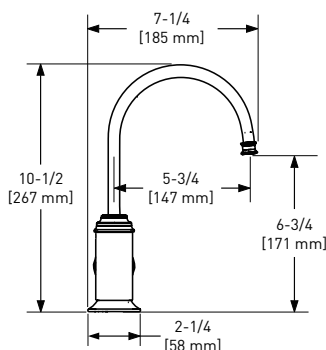


U.KITSB72D1 Southbank™ Hot Water and Kitchen Filter Faucet Kit

	APC	PN	STN	SEG	EG	ULB	EB
U.KITSB72D1LM	2551	3444	3444	3827	3827	3827	3827



- Pull handle forward for filtered water, push backward for instant filtered hot water
- Water activates by pushing handle inwards toward spout
- 0.5 GPM/1.9 LPM at 60 PSI (CEC compliant)
- 3/8" speedway compression
- Order U.1408 for replacement filtration system
- Includes U.1998 Hot water tank and U.1408 filtration system
- For replacement filter cartridge, order U.PR.F1: \$168
- Recommend changing filter every 6 months or 1,000 gallons/3785 liters



U.SB72D1 Southbank™ Hot Water and Kitchen Filter Faucet



	APC	PN	STN	SEG	EG	ULB	EB
U.SB72D1LM	1178	1591	1591	1767	1767	1767	1767



- Pull handle forward for filtered water, push backward for instant filtered hot water
- Water activates by pushing handle inwards toward spout
- 1.8 GPM/6.8 LPM at 60 PSI (CEC compliant)
- 3/8" speedway compression
- For use with U.1998 high performance hot water tank and U.1408 filtration system



KITCHEN ACCESSORIES

FINISH OPTIONS



APC



PN



STN



SEG



EG



ULB
LIVING
FINISH



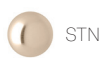
EB



APC



PN



STN



SEG



EG



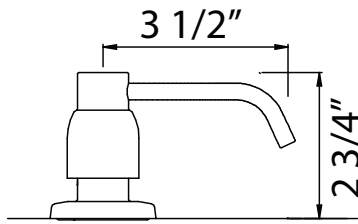
ULB



EB



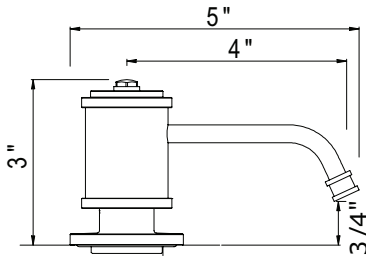
U.6495 Holborn™ Soap Dispenser



	APC	PN	STN	SEG	ULB
U.6495	678	916	916	1017	1017

- Brass construction
- 16 fluid ounce bottle capacity
- Top fill

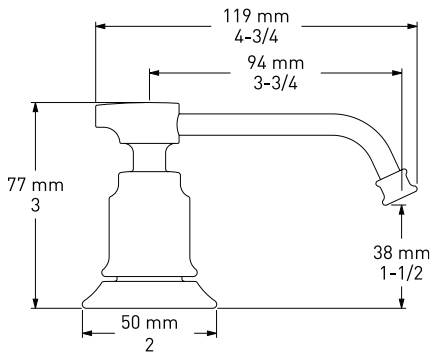
U.6595 Armstrong™ Soap Dispenser



	APC	PN	STN	SEG	ULB
U.6595	361	488	488	542	542

- Brass construction
- 16 fluid ounce bottle capacity
- Top fill

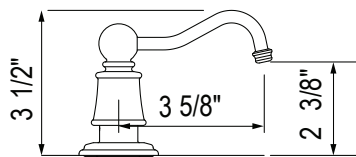
U.SB80SD Southbank™ Soap Dispenser



	APC	PN	STN	SEG	EG	ULB	EB
U.SB80SD	361	488	488	542	542	542	542

- Brass construction
- 16 fluid ounce bottle capacity
- Top fill

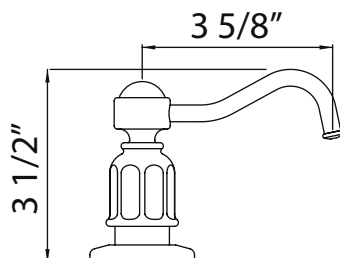
U.6695 Edwardian™ Soap Dispenser



	APC	PN	STN	SEG	EG	ULB	EB
U.6695	608	821	821	912	912	912	912

- Brass construction
- 16 fluid ounce bottle capacity
- Top fill

U.6995 Edwardian™ Soap Dispenser

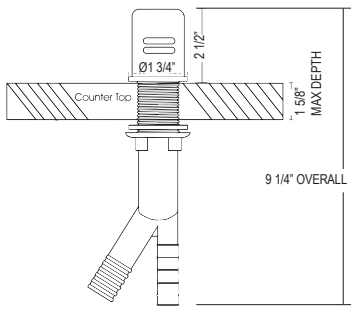


	APC	PN	STN	SEG	EG	ULB	EB
U.6995	678	916	916	1017	1017	1017	1017

- Brass construction
- 16 fluid ounce bottle capacity
- Top fill

AG600 Air Gap

ROHL

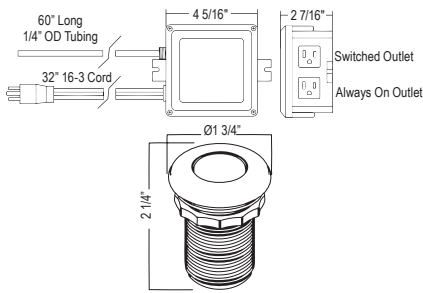


	APC	PN	STN	SEG	EG	EB
AG600	128	160	173	177	192	192

- Prevents contaminated sink water from entering the dishwasher

AS450 Waste Disposal Control Box With Air Switch Button

ROHL

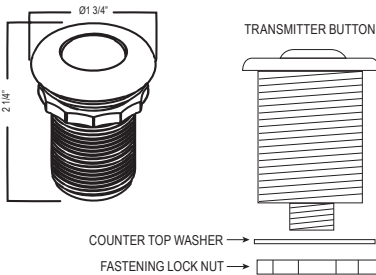


	APC	PN	STN	SEG	EG	EB
AS450	448	605	605	672	672	672

- Remote on/off air switch button for activating garbage disposals
- Solution for island countertops or where an electrical switch is not available
- Control box with mounting hardware included

AS425 Waste Disposal Air Switch Button

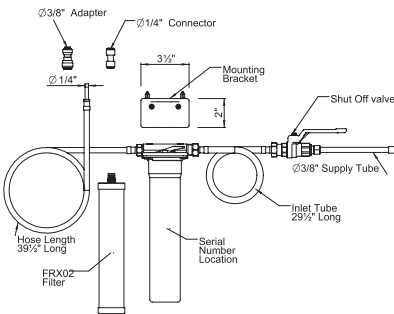
ROHL



	APC	PN	STN	SEG	EG	EB
AS425	168	227	227	252	252	252

- Remote on/off air switch button for activating garbage disposals
- Solution for island countertops or where an electrical switch is not available

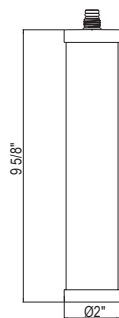
HRK-2000 Arolla™ Filtration System With Cartridge



	\$
HRK-2000	719

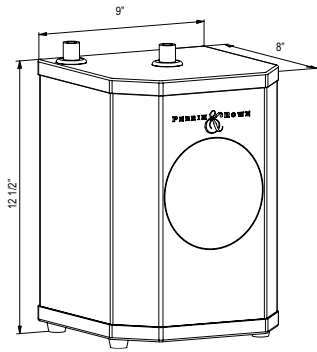
- Includes cartridge, housing and connection hoses
- Filter faucet not included
- Recommend changing filter every 6 months or 1,000 gallons/3785 liters
- Top of the line 0.2-micron ceramic filter and active carbon material
- Yields reduced PFA's, lead, heavy metals, bacteria, foul taste and odor
- For replacement filter cartridge, order HRF-1000: \$132
- Recommend changing filter system every 3 years due to constant water pressure on the inlet

HRF-1000 Arolla™ Replacement Filter Cartridge



	\$
HRF-1000	132

- Replacement cartridge for HRK-2000 filter system
- Recommend changing filter every 6 months or 1,000 gallons/3785 liters
- Top of the line 0.2-micron ceramic filter and active carbon material
- Yields reduced PFA's, lead, heavy metals, bacteria, foul taste and odor

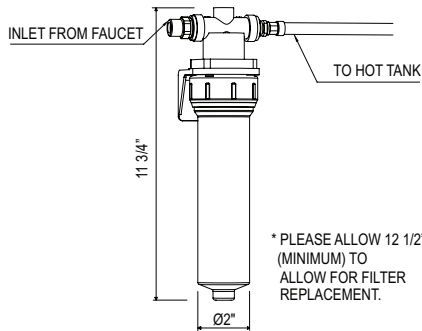


U.1998 High Performance Hot Water Tank



U.1998 \$ 1084

- 3-Year limited warranty
- Not compatible with ISE type dispensers



U.1106 Hot Water Filtration System

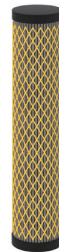
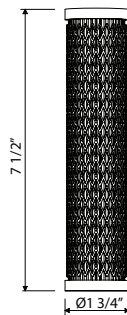


U.1106 \$ 440

- Includes cartridge, housing and connection hoses
- Filter faucet not included
- For replacement filter cartridge, order U.PRF1: \$168
- Recommend changing filter every 6 months or 1,000 gallons/3785 liters

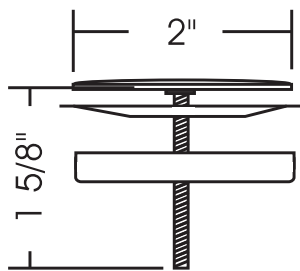
* PLEASE ALLOW 12 1/2" (MINIMUM) TO ALLOW FOR FILTER REPLACEMENT.

U.PRF1 Hot Water Replacement Filter Cartridge



U.PRF1 \$ 168

- Designed for use with U.1106 and U.1408 hot water filtration systems
- Recommend changing filter every 6 months or 1,000 gallons/3785 liters



SHC-1 Sink Hole Cover



	APC	PN	STN	EG	EB
SHC-1	28	40	40	44	44

- 2" diameter to cover existing sink holes
- Stainless Steel construction

ROHL



ARMSTRONG™

The Armstrong Bath Collection balances past and present with precision and proportion, taking aspects from the era of invention and industry and translating them into modern form. The details found in each element of the design embody geometric grace. Handles echo the silhouette of spools once used in creating textiles, and the sleek curve of the spout completes a look of understated elegance that always stands out.

FINISH OPTIONS



APC



PN



STN



SEG



EG

ULB
LIVING
FINISH

HANDLE DESIGNS



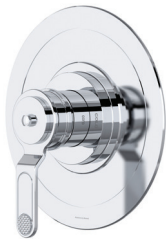
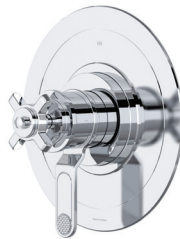
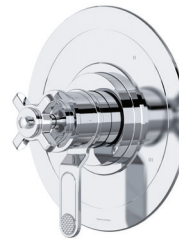
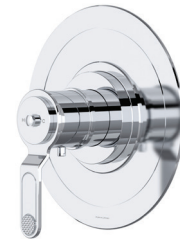
HT

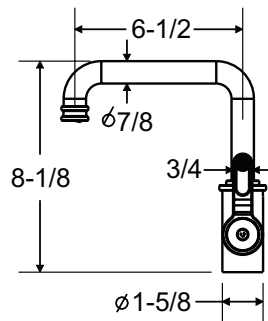


IW



XM

BATHROOM FAUCETSU.AR01UD1
[P.36](#)U.AR08D3
[P.36](#)U.AR08LD3
[P.36](#)U.TAR08W3
[P.36](#)**TUB FILLERS**U.TAR05F1
[P.37](#)U.TAR06W3
[P.37](#)**SHOWER TRIM**U.TAR51W1
[P.37](#)U.TAR23W1
[P.38](#)U.TAR45W1
[P.38](#)U.TAR13W1
[P.38](#)**ACCESSORIES**U.AR25WTP
[P.39](#)U.AR25WRH
[P.39](#)U.AR25WTR
[P.39](#)U.AR25WTB24
[P.39](#)



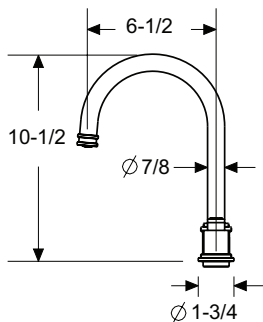
U.AR01UD1 Armstrong™ Single Handle Lavatory Faucet



	APC	PN	STN	SEG	EG	ULB
U.AR01UD1HT	1058	1429	1429	1587	1587	1587



- Swiveling aerator allows you to change the direction of the water spray to best suit your preference
- 1.2 GPM/4.5 LPM at 60 PSI (WaterSense and CEC compliant)
- 1/2" female NPSM inlet
- Push drain included with faucet



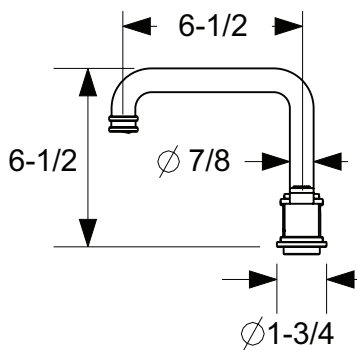
U.AR08D3 Armstrong™ Widespread Lavatory Faucet With C-Spout



	APC	PN	STN	SEG	EG	ULB
U.AR08D3HT	1428	1928	1928	2142	2142	2142
U.AR08D3IW	1428	1928	1928	2142	2142	2142
U.AR08D3XM	1428	1928	1928	2142	2142	2142



- Swiveling aerator allows you to change the direction of the water spray to best suit your preference
- 1.2 GPM/4.5 LPM at 60 PSI (WaterSense and CEC compliant)
- 3/8" speedway compression
- Push drain included with faucet



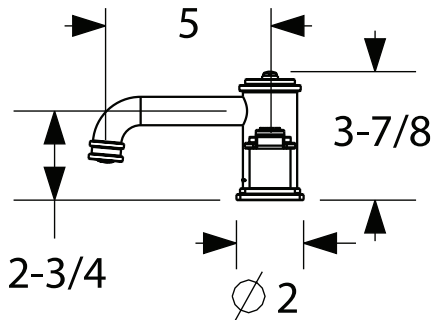
U.AR09D3 Armstrong™ Widespread Lavatory Faucet With U-Spout



	APC	PN	STN	SEG	EG	ULB
U.AR09D3HT	1428	1928	1928	2142	2142	2142
U.AR09D3IW	1428	1928	1928	2142	2142	2142
U.AR09D3XM	1428	1928	1928	2142	2142	2142



- Swiveling aerator allows you to change the direction of the water spray to best suit your preference
- 1.2 GPM/4.5 LPM at 60 PSI (WaterSense and CEC compliant)
- 3/8" speedway compression
- Push drain included with faucet



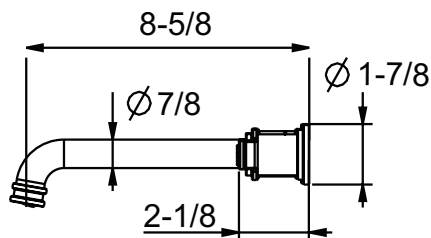
U.AR08LD3 Armstrong™ Widespread Lavatory Faucet With Low Spout



	APC	PN	STN	SEG	EG	ULB
U.AR08LD3HT	1428	1928	1928	2142	2142	2142
U.AR08LD3IW	1428	1928	1928	2142	2142	2142
U.AR08LD3XM	1428	1928	1928	2142	2142	2142



- Swiveling aerator allows you to change the direction of the water spray to best suit your preference
- 1.2 GPM/4.5 LPM at 60 PSI (WaterSense and CEC compliant)
- 3/8" speedway compression
- Push drain included with faucet



U.TAR08W3 Armstrong™ Wall Mount Lavatory Faucet Trim

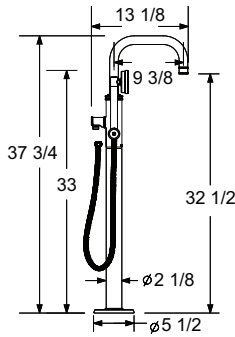


	APC	PN	STN	SEG	EG	ULB
U.TAR08W3HT	1128	1523	1523	1692	1692	1692
U.TAR08W3IW	1128	1523	1523	1692	1692	1692
U.TAR08W3XM	1128	1523	1523	1692	1692	1692



- Swiveling aerator allows you to change the direction of the water spray to best suit your preference
- Drain sold separately, see Lavatory Drain tab for pricing
- 1.2 GPM/4.5 LPM at 60 PSI (WaterSense and CEC compliant)
- Rough-in valve sold separately:
 - Order RH08WM wall rough-in valve: \$328

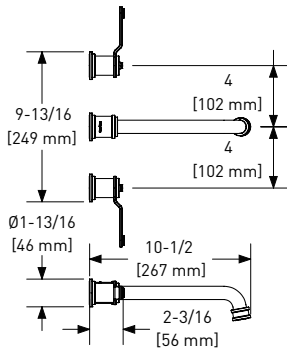
SEE LAVATORY DRAINS TAB FOR PRICING



U.TAR05F1 Armstrong™ Single Hole Floor Mount Tub Filler Trim With U-Spout

	APC	PN	STN	SEG	EG	ULB
U.TAR05F1HT	3168	4277	4277	4752	4752	4752

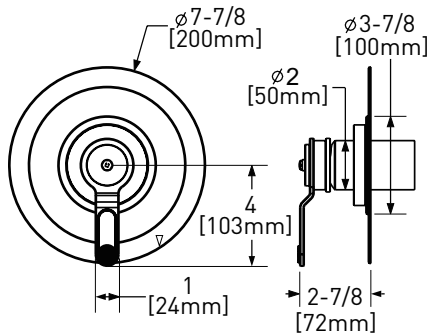
- Single-function anti-calcium handshower at 1.8 GPM/6.8 LPM at 60 PSI (CEC Compliant)
- 8 GPM/30 LPM at 60 PSI
- Rough-in valve sold separately:
—Order U.3440R floor rough-in valve: \$824



U.TAR06W3 Armstrong™ Wall Mount Tub Filler Trim

	APC	PN	STN	SEG	EG	ULB
U.TAR06W3HT	1338	1807	1807	2007	2007	2007
U.TAR06W3IW	1338	1807	1807	2007	2007	2007
U.TAR06W3XM	1338	1807	1807	2007	2007	2007

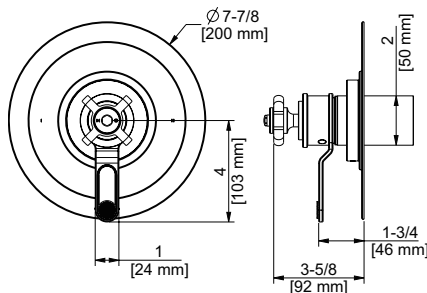
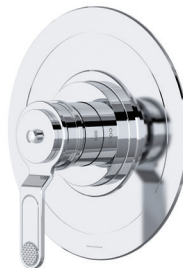
- Extended lead time item (12-16 weeks)
- 10 GPM/38 LPM at 60 PSI
- Rough-in valve sold separately:
—Order RH08WM wall rough-in valve: \$328



U.TAR51W1 Armstrong™ 1/2" Pressure Balance Trim

	APC	PN	STN	SEG	EG	ULB
U.TAR51W1HT	818	1105	1105	1227	1227	1227

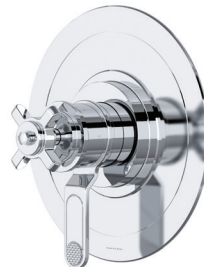
- Bottom outlet compatible with diverter tub spout
- 1 function
- Temp. & volume control at 5.8 GPM/22 LPM at 60 PSI
- Rough-in valve sold separately:
—Order R51 rough-in valve: \$184
- Extension kits available, 1 1/4" EXT51KIT114 and 3/4" EXT51KIT34



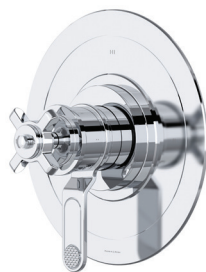
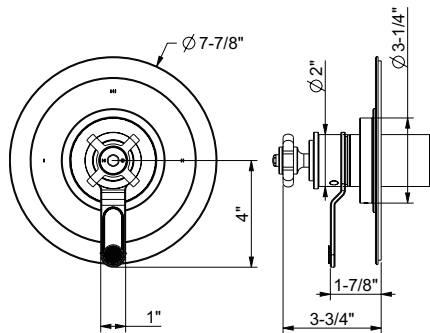
U.TAR44W1 (No Share) Armstrong™ 1/2" Therm & Pressure Balance Trim With 2 Functions

	APC	PN	STN	SEG	EG	ULB
U.TAR44W1IW	1028	1388	1388	1542	1542	1542
U.TAR44W1XM	1028	1388	1388	1542	1542	1542

- Combines both thermostatic and pressure balance technologies
- "Set it and forget it" temperature control
- 2 dedicated functions (CEC compliant)
- Temp. & volume control with diverter at 6.3 GPM/24 LPM at 60 PSI
- Rough-in valve sold separately:
—Order R23 rough-in valve: \$266
- Extension kits available, 1 1/4" EXT23KIT114 and 3/4" EXT23KIT34



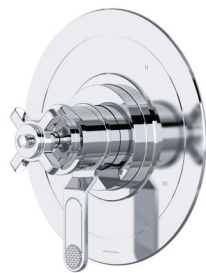
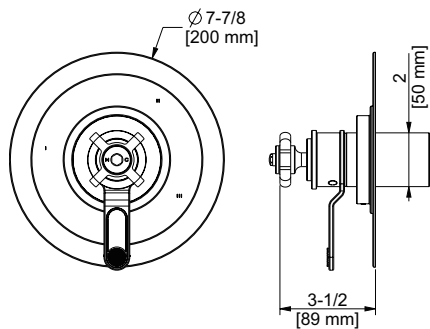
U.TAR23W1 (Shared) Armstrong™ 1/2" Therm & Pressure Balance Trim With 3 Functions



	APC	PN	STN	SEG	EG	ULB
U.TAR23W1IW	1028	1388	1388	1542	1542	1542
U.TAR23W1XM	1028	1388	1388	1542	1542	1542

- Combines both thermostatic and pressure balance technologies
- "Set it and forget it" temperature control
- 2 dedicated functions and 1 shared function
- Temp. & volume control with diverter at 6.3 GPM/24 LPM at 60 PSI
- Rough-in valve sold separately:
 - Order R23 rough-in valve: \$266
- Extension kits available, 1 1/4" EXT23KIT114 and 3/4" EXT23KIT34

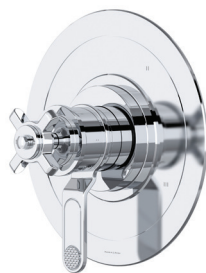
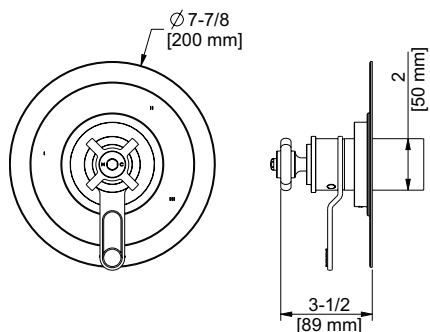
U.TAR47W1 (No Share) Armstrong™ 1/2" Therm & Pressure Balance Trim With 3 Functions



	APC	PN	STN	SEG	EG	ULB
U.TAR47W1IW	1028	1388	1388	1542	1542	1542
U.TAR47W1XM	1028	1388	1388	1542	1542	1542

- Combines both thermostatic and pressure balance technologies
- "Set it and forget it" temperature control
- 3 dedicated functions (CEC compliant)
- Temp. & volume control with diverter at 5 GPM/19 LPM at 60 PSI
- Rough-in valve sold separately:
 - Order R45 rough-in valve: \$328
- Extension kits available, 1 1/4" EXT23KIT114 and 3/4" EXT23KIT34

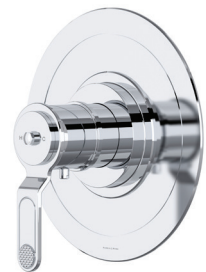
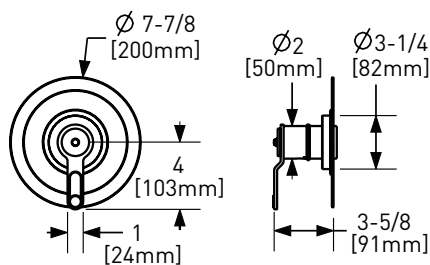
U.TAR45W1 (Shared) Armstrong™ 1/2" Therm & Pressure Balance Trim With 5 Functions



	APC	PN	STN	SEG	EG	ULB
U.TAR45W1IW	1028	1388	1388	1542	1542	1542
U.TAR45W1XM	1028	1388	1388	1542	1542	1542

- Combines both thermostatic and pressure balance technologies
- "Set it and forget it" temperature control
- 3 dedicated functions and 2 shared functions
- Temp. & volume control with diverter at 6.3 GPM/24 LPM at 60 PSI
- Rough-in valve sold separately:
 - Order R45 rough-in valve: \$328
- Extension kits available, 1 1/4" EXT23KIT114 and 3/4" EXT23KIT34

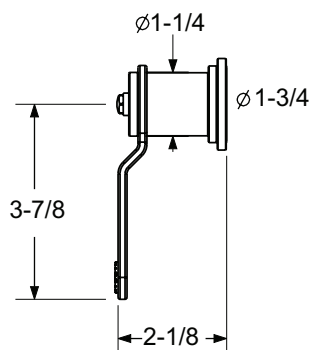
U.TAR13W1 Armstrong™ 3/4" Thermostatic Trim Without Volume Control



	APC	PN	STN	SEG	EG	ULB
U.TAR13W1HT	1238	1672	1672	1857	1857	1857
U.TAR13W1IW	1238	1672	1672	1857	1857	1857
U.TAR13W1XM	1238	1672	1672	1857	1857	1857

- Temperature control only
- Rough-in valve sold separately:
 - Order 1005N rough-in valve: \$441
- Volume control(s) required

U.TAR18W1 Armstrong™ Trim For Volume Control And Diverter

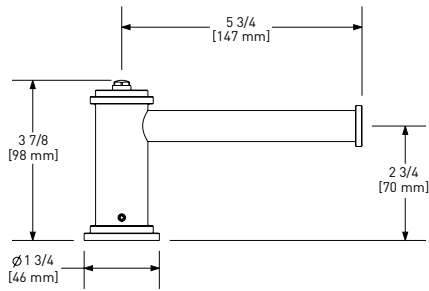


	APC	PN	STN	SEG	EG	ULB
U.TAR18W1HT	318	430	430	477	477	477
U.TAR18W1IW	318	430	430	477	477	477
U.TAR18W1XM	318	430	430	477	477	477

- Volume control or diverter only
- Rough-in valve sold separately. Select one:
 - Order R1040R 3/4" volume control rough-in valve: \$184
 - Order R1062BO 4-port, 3-way dedicated diverter rough-in valve: \$372



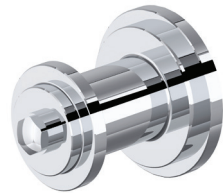
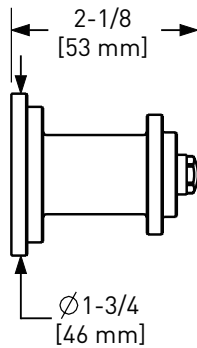
U.AR25WTP Armstrong™ Toilet Paper Holder



	APC	PN	STN	SEG	EG	ULB
U.AR25WTP	298	403	403	447	447	447

- There's no need to compromise on design in this essential space
- Accommodates oversized toilet paper rolls

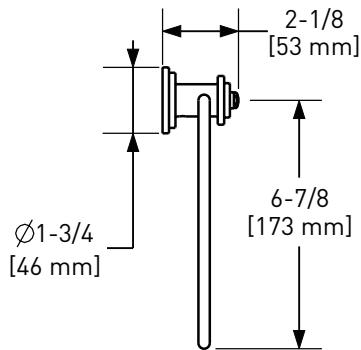
U.AR25WRH Armstrong™ Robe Hook



	APC	PN	STN	SEG	EG	ULB
U.AR25WRH	288	389	389	432	432	432

- Holds one robe or towel close to your shower or bathing space

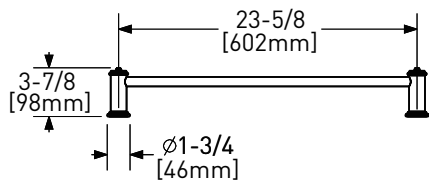
U.AR25WTR Armstrong™ Towel Ring



	APC	PN	STN	SEG	EG	ULB
U.AR25WTR	298	403	403	447	447	447

- Elegantly display bath towels in a coordinated fashion with other accessories

U.AR25WTB24 Armstrong™ 24" Towel Bar



	APC	PN	STN	SEG	EG	ULB
U.AR25WTB24	598	808	808	897	897	897

- Length cannot be cut down

ARMSTRONG ¾" TUB FILLER OPTION 1

Suggested Retail Price



Model	Description	Polished Chrome
U.TAR13W1HT	Trim	1238
U.3330	Tub Spout	928
U.TAR18W1HT	Volume Control Trim (QTY: 2)	636
U.40226HS1	Handshower	818
U.5544	Handshower Holder	608
9.28385	Hose	198
U.0227WO	Outlet	268
1005N	Rough	441
R1040R	Volume Control Rough (QTY: 2)	368
Total Package List Price With Roughs		5503

Note: Sample configuration priced in Polished Chrome. Other configurations and finishes available. Complete your shower experience by including one of our decorative drain options.

ARMSTRONG PRESSURE BALANCE SHOWER OPTION 1

Suggested Retail Price



Model	Description	Polished Chrome
U.TAR51W1HT	Trim	818
U.40226HS1	Handshower	818
U.AR260127SB	Handshower Bar	1178
U.0227WO	Outlet	268
9.28385	Hose	198
R51	Rough	184
Total Package List Price With Roughs		3464

Note: Sample configuration priced in Polished Chrome. Other configurations and finishes available. Complete your shower experience by including one of our decorative drain options.

ARMSTRONG ½" THERM/PRESSURE BALANCE SHOWER OPTION 1



Suggested Retail Price

Model	Description	Polished Chrome
U.TAR23W1XM	Trim	1028
U.5235	Showerhead	878
U.20AR27SA	Shower Arm	568
U.40226HS1	Handshower	818
U.AR260127SB	Handshower Bar	1178
U.0227WO	Outlet	268
9.28385	Hose	198
R23	Rough	266
Total Package List Price With Roughs		5202
U.TAR44W1XM	Trim (No Share)	1028
Total Package List Price With Roughs		5202

Note: Sample configuration priced in Polished Chrome. Other configurations and finishes available. Complete your shower experience by including one of our decorative drain options.

ARMSTRONG ½" THERM/PRESSURE BALANCE SHOWER OPTION 2



Suggested Retail Price

Model	Description	Polished Chrome
U.TAR45W1XM	Trim	1028
U.5800	Showerhead	678
U.7AR27SA	Shower Arm	518
U.5237	Ceiling Rain Showerhead	1238
U.5888	Ceiling Shower Arm	258
U.40226HS1	Handshower	818
U.AR260127SB	Handshower Bar	1178
U.0227WO	Outlet	268
9.28385	Hose	198
R45	Rough	328
Total Package List Price With Roughs		6510
U.TAR47W1XM	Trim (No Share)	1028
Total Package List Price With Roughs		6510

Note: Sample configuration priced in Polished Chrome. Other configurations and finishes available. Complete your shower experience by including one of our decorative drain options.

ARMSTRONG 3/4" THERMOSTATIC SHOWER OPTION 1

Suggested Retail Price



Model	Description	Polished Chrome
U.TAR13W1HT	Trim	1238
U.5800	Showerhead	678
U.7AR27SA	Shower Arm	518
U.5237	Ceiling Rain Showerhead	1238
U.5888	Ceiling Shower Arm	258
U.40226HS1	Handshower	818
U.AR260127SB	Handshower Bar	1178
U.0227WO	Outlet	268
9.28385	Hose	198
U.0326BS1	Body Sprays (QTY: 3)	1434
U.TAR18W1HT	Volume Control Trim (QTY: 4)	1272
R1040R	Volume Control Rough (QTY: 4)	736
1005N	Rough	441
Total Package List Price With Roughs		10275

Note: Sample configuration priced in Polished Chrome. Other configurations and finishes available. Complete your shower experience by including one of our decorative drain options.





DECO™

The Art Deco design movement of the 1920s and 30s made geometry glamorous. Triangular forms and sharp angles were portrayed with the shine and facets of diamonds. The Deco Bath Collection follows suit. Inspired by London's grandest Deco structures, like the Savoy Hotel, the Collection brings panache and polish to the bath. Handles and spout form octagonal shapes designed to gleam with sophistication. Refined details add to the sense of splendor. The Deco Collection captures a moment in time to bring luxury to bathrooms of today.

FINISH OPTIONS



APC



PN



EG

HANDLE DESIGNS



LS



X

BATHROOM FAUCETS



U.3135
P.46



U.3141LS OR U.3142X
P.46



U.3170LS OR U.3171X
P.46

TUB FILLERS



U.3120LS OR U.3121X
P.46



U.3178LS OR U.3179X
P.47



U.3110
P.47



U.3152LS OR U.3153X
P.47

SHOWER TRIM



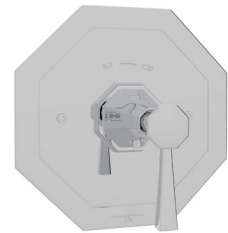
U.TDC51W1
P.48



U.TDC23W1
P.48



U.TDC45W1
P.48

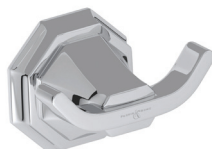


U.5157LS OR U.5158X
P.49

ACCESSORIES



U.6148
P.49



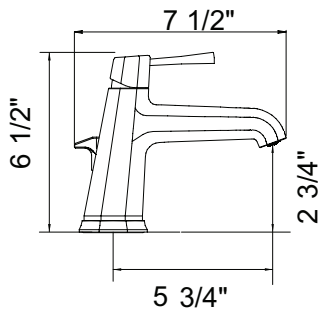
U.6122
P.49



U.6135
P.49



U.6140
P.50

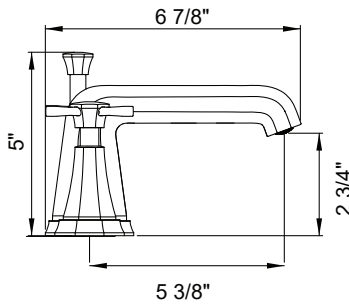


U.3135 Deco™ Single Handle Lavatory Faucet



Handle	APC	PN	EG
U.3135LS-_-2	1728	2333	2592

- 1.2 GPM/4.5 LPM at 60 PSI (WaterSense and CEC compliant)
- 1/2" female NPSM inlet
- Lift rod drain assembly included with faucet

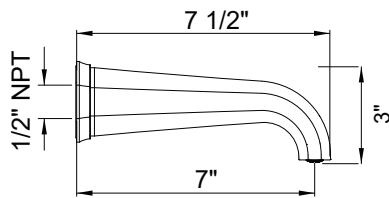


U.3141LS OR U.3142X Deco™ Widespread Lavatory Faucet



Handle	APC	PN	EG
U.3141LS-_-2	1768	2387	2652
U.3142X-_-2	1768	2387	2652

- 1.2 GPM/4.5 LPM at 60 PSI (WaterSense and CEC compliant)
- 1/2" male NPT inlet
- Lift rod drain assembly included with faucet



U.3170LS OR U.3171X Deco™ Wall Mount Lavatory Faucet Trim



Handle	APC	PN	EG
U.3170LS-_/TO-2	1518	2050	2277
U.3171X-_/TO-2	1518	2050	2277

- Drain sold separately, see Lavatory Drain tab for pricing
- Order two U.3243 1 1/4" extension kits to extend valves: \$90
- Order two U.3243S 5/8" extension kits to extend valves: \$78
- 1.2 GPM/4.5 LPM at 60 PSI (WaterSense and CEC compliant)
- Plumber to provide 1/2" male nipple T-fitting for spout installation
- Rough-in valve sold separately. Select one:
 - Order U.3260R-2 wall rough-in valves (set of 2) for lever handles: \$438
 - Order U.3261R-2 wall rough-in valves (set of 2) for cross handles: \$438

SEE LAVATORY DRAINS TAB FOR PRICING



5445



5447



6442



7444



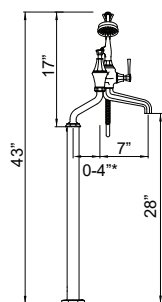
8446



CC2310FWO



O127DOF



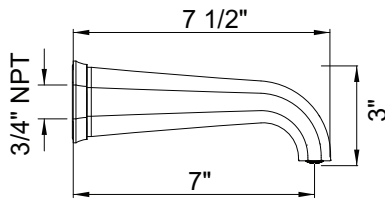
U.3120LS OR U.3121X Deco™ Floor Mount Tub Filler



Handle	APC	PN	EG
U.3120LS/1-_-_-	7512	10143	11268
U.3121X/1-_-_-	7512	10143	11268

- Single-function anti-calcium handshower at 1.8 GPM/6.8 LPM at 60 PSI (CEC Compliant)
- 19 GPM/72 LPM at 60 PSI
- 1/2" male NPT inlet
- Vacuum breaker not included
- No additional rough-in valve required to install

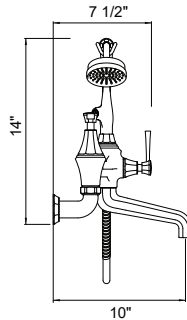
U.3178LS OR U.3179X Deco™ Wall Mount Tub Filler Trim



Handle	APC	PN	EG
U.3178LS-_/TO	1728	2333	2592
U.3179X-_/TO	1728	2333	2592

- Extended lead time item (12-16 weeks)
- 16 GPM/60.5 LPM at 60 PSI
- Plumber to provide 3/4" male nipple T-fitting for spout installation
- Rough-in valve sold separately. Select one:
 - Order U.3230R wall rough-in valves (set of 2) for lever handles: \$534
 - Order U.3231R wall rough-in valves (set of 2) for cross handles: \$534
- Order two U.3243 1 1/4" extension kits to extend valves: \$90
- Order two U.3243S 5/8" extension kits to extend valves: \$78

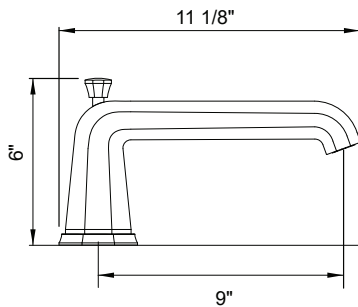
U.3110 Deco™ Exposed Wall Mount Tub Filler



Handle	APC	PN
U.3110LS/1-	5134	6933

- Single-function anti-calcium handshower at 1.8 GPM/6.8 LPM at 60 PSI (CEC Compliant)
- 19 GPM/72 LPM at 60 PSI
- 3/4" female NPT inlet
- Vacuum breaker not included
- No additional rough-in valve required to install

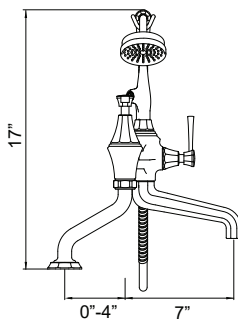
U.3152LS OR U.3153X Deco™ 4-Hole Deck Mount Tub Filler



Handle	APC	PN	EG
U.3152LS-	3898	5263	5847
U.3153X-	3898	5263	5847

- Extended lead time item (12-16 weeks)
- Single-function anti-calcium handshower at 1.8 GPM/6.8 LPM at 60 PSI (CEC Compliant)
- 12 GPM/45.4 LPM at 60 PSI
- 3/4" male NPT inlet
- No additional rough-in valve required to install

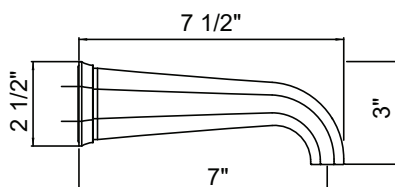
U.3100 Deco™ Exposed Deck Mount Tub Filler



Handle	APC	PN	EG
U.3100LS/1-	4953	6688	7430

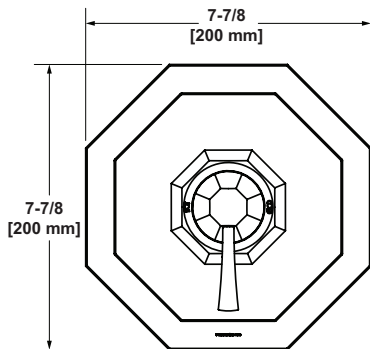
- Single-function anti-calcium handshower at 1.8 GPM/6.8 LPM at 60 PSI (CEC Compliant)
- 19 GPM/72 LPM at 60 PSI
- 3/4" male NPT inlet
- Vacuum breaker not included
- No additional rough-in valve required to install

U.3183 Deco™ Wall Mount Tub Spout

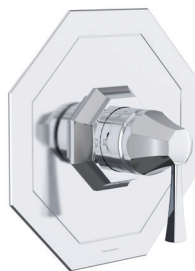


	APC	PN	EG
U.3183	878	1186	1317

- Extended lead time item (12-16 weeks)
- 3/4" female NPT inlet
- Metal Construction

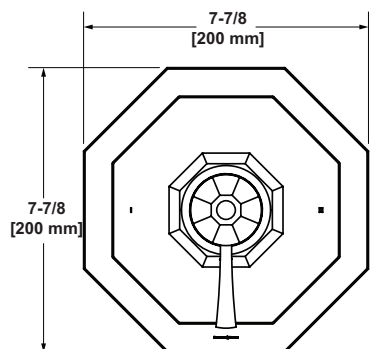


U.TDC51W1 Deco™ 1/2" Pressure Balance Trim



Handle	APC	PN	EG
U.TDC51W1LS-	878	1186	1317

- Bottom outlet compatible with diverter tub spout
- 1 function
- Temp. & volume control at 5.8 GPM/22 LPM at 60 PSI
- Rough-in valve sold separately:
 - Order R51 rough-in valve: \$184
- Extension kits available, 1 1/4" EXT51KIT114 and 3/4" EXT51KIT34

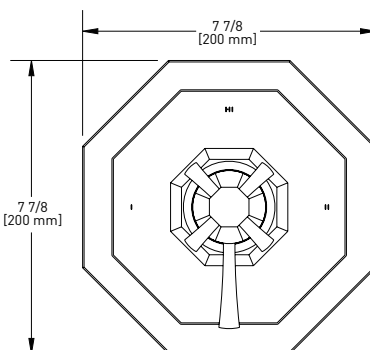


U.TDC44W1 (No Share) Deco™ 1/2" Therm & Pressure Balance Trim With 2 Functions



Handle	APC	PN	EG
U.TDC44W1LS-	1178	1591	1767

- Combines both thermostatic and pressure balance technologies
- "Set it and forget it" temperature control
- 2 dedicated functions (CEC compliant)
- Temp. & volume control with diverter at 6.3 GPM/24 LPM at 60 PSI
- Rough-in valve sold separately:
 - Order R23 rough-in valve: \$266
- Extension kits available, 1 1/4" EXT23KIT114 and 3/4" EXT23KIT34

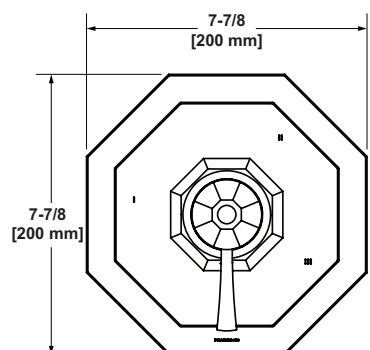


U.TDC23W1 (Shared) Deco™ 1/2" Therm & Pressure Balance Trim With 3 Functions

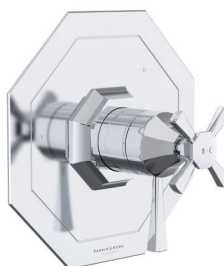


Handle	APC	PN	EG
U.TDC23W1LS-	1178	1591	1767

- Combines both thermostatic and pressure balance technologies
- "Set it and forget it" temperature control
- 2 dedicated functions and 1 shared function
- Temp. & volume control with diverter at 6.3 GPM/24 LPM at 60 PSI
- Rough-in valve sold separately:
 - Order R23 rough-in valve: \$266
- Extension kits available, 1 1/4" EXT23KIT114 and 3/4" EXT23KIT34

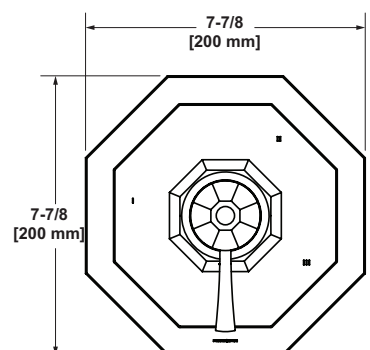


U.TDC47W1 (No Share) Deco™ 1/2" Therm & Pressure Balance Trim With 3 Functions

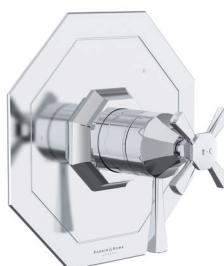


Handle	APC	PN	EG
U.TDC47W1LS-	1178	1591	1767

- Combines both thermostatic and pressure balance technologies
- "Set it and forget it" temperature control
- 3 dedicated functions (CEC compliant)
- Temp. & volume control with diverter at 5 GPM/19 LPM at 60 PSI
- Rough-in valve sold separately:
 - Order R45 rough-in valve: \$328
- Extension kits available, 1 1/4" EXT23KIT114 and 3/4" EXT23KIT34



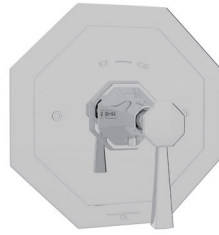
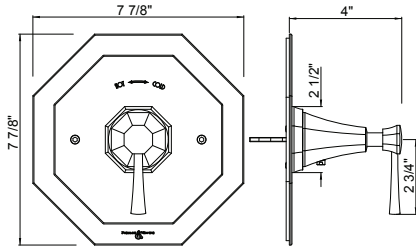
U.TDC45W1 (Shared) Deco™ 1/2" Therm & Pressure Balance Trim With 5 Functions



Handle	APC	PN	EG
U.TDC45W1LS-	1178	1591	1767

- Combines both thermostatic and pressure balance technologies
- "Set it and forget it" temperature control
- 3 dedicated functions and 2 shared functions
- Temp. & volume control with diverter at 6.3 GPM/24 LPM at 60 PSI
- Rough-in valve sold separately:
 - Order R45 rough-in valve: \$328
- Extension kits available, 1 1/4" EXT23KIT114 and 3/4" EXT23KIT34

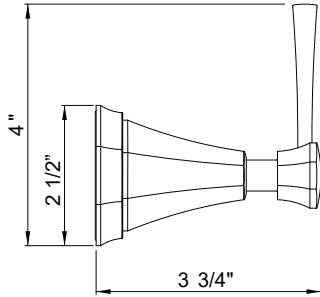
U.5157LS OR U.5158X Deco™ 3/4" Thermostatic Trim Without Volume Control



Handle	APC	PN	EG
U.5157LS-__ /TO	1538	2077	2307
U.5158X-__ /TO	1538	2077	2307

- Temperature control only
- Rough-in valve sold separately:
 - Order 1005N rough-in valve: \$441
- Volume control(s) required

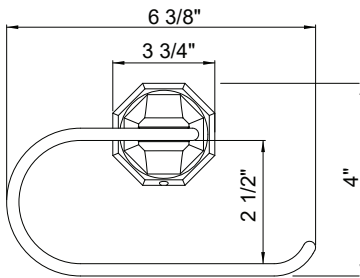
U.3164LS OR U.3165X Deco™ Trim For Volume Control And Diverter



Handle	APC	PN	EG
U.3164LS-__ /TO	628	848	942
U.3165X-__ /TO	628	848	942

- Volume control or diverter only
- Rough-in valve sold separately. Select one:
 - Order R1040R 3/4" volume control rough-in valve: \$184
 - Order R1062BO 4-port, 3-way dedicated diverter rough-in valve: \$372

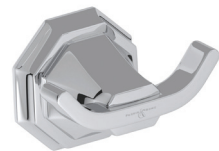
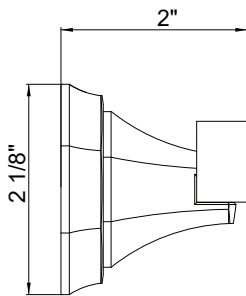
U.6148 Deco™ Toilet Paper Holder



	APC	PN	EG
U.6148	318	430	477

- There's no need to compromise on design in this essential space
- Accommodates oversized toilet paper rolls

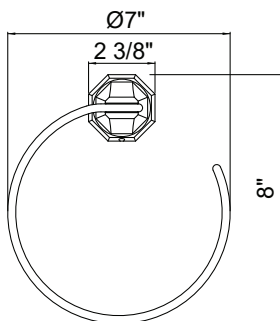
U.6122 Deco™ Double Robe Hook



	APC	PN	EG
U.6122	258	349	387

- Optimize space with this double hook for multiple robe/towel storage

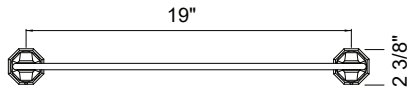
U.6135 Deco™ Towel Ring



	APC	PN	EG
U.6135	348	470	522

- Elegantly display bath towels in a coordinated fashion with other accessories

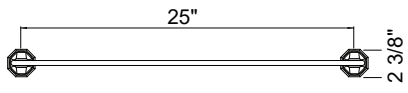
U.6140 Deco™ 18" Towel Bar



	APC	PN	EG
U.6140	588	794	882

- Length cannot be cut down

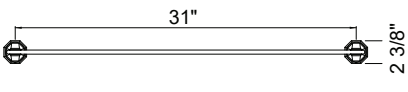
U.6141 Deco™ 24" Towel Bar



	APC	PN	EG
U.6141	598	808	897

- Length cannot be cut down

U.6142 Deco™ 30" Towel Bar



	APC	PN	EG
U.6142	608	821	912

- Length cannot be cut down



APC



PN



EG

DECO ¾" TUB FILLER OPTION 1



Suggested Retail Price

Model	Description	Polished Chrome
U.5157T0	Trim	1538
U.3183	Tub Spout	878
U.3164T0	Volume Control Trim (QTY: 2)	1256
U.5195	Handshower With Hose	1058
U.5544	Handshower Holder	608
U.5146	Outlet	348
1005N	Rough	441
R1040R	Volume Control Rough (QTY: 2)	368
Total Package List Price With Roughs		6495

Note: Sample configuration priced in Polished Chrome. Other configurations and finishes available. Complete your shower experience by including one of our decorative drain options.

DECO PRESSURE BALANCE SHOWER OPTION 1



Suggested Retail Price

Model	Description	Polished Chrome
U.TDC51W1	Trim	878
U.5195	Handshower With Hose	1058
U.5140	Handshower Bar	1478
U.5146	Outlet	348
R51	Rough	184
Total Package List Price With Roughs		3946

Note: Sample configuration priced in Polished Chrome. Other configurations and finishes available. Complete your shower experience by including one of our decorative drain options.

DECO ½" THERM/PRESSURE BALANCE SHOWER OPTION 1

Suggested Retail Price



Model	Description	Polished Chrome
U.TDC23W1	Trim	1178
U.5135	Showerhead	1058
U.5184	Shower Arm	748
U.5195	Handshower With Hose	1058
U.5140	Handshower Bar	1478
U.5146	Outlet	348
R23	Rough	266
Total Package List Price With Roughs		6134
U.TDC44W1	Trim (No Share)	1178
Total Package List Price With Roughs		6134

Note: Sample configuration priced in Polished Chrome. Other configurations and finishes available. Complete your shower experience by including one of our decorative drain options.

DECO ½" THERM/PRESSURE BALANCE SHOWER OPTION 2

Suggested Retail Price



Model	Description	Polished Chrome
U.TDC45W1	Trim	1178
U.5800	Showerhead	678
U.5182	Shower Arm	698
U.5135	Showerhead	1058
U.5388	Ceiling Shower Arm	268
U.5195	Handshower With Hose	1058
U.5140	Handshower Bar	1478
U.5146	Outlet	348
R45	Rough	328
Total Package List Price With Roughs		7092
U.TDC47W1LS	Trim (No Share)	1178
Total Package List Price With Roughs		7092

Note: Sample configuration priced in Polished Chrome. Other configurations and finishes available. Complete your shower experience by including one of our decorative drain options.



APC



PN



EG

DECO ¾" THERMOSTATIC SHOWER OPTION 1



Suggested Retail Price

Model	Description	Polished Chrome
U.5157T0	Trim	1538
U.5800	Showerhead	678
U.5182	Shower Arm	698
U.5237	Ceiling Rain Showerhead	1238
U.5388	Ceiling Shower Arm	268
U.5195	Handshower With Hose	1058
U.5140	Handshower Bar	1478
U.5146	Outlet	348
U.5570	Body Sprays (QTY: 3)	1884
U.3164T0	Volume Control Trim (QTY: 4)	2512
R1040R	Volume Control Rough (QTY: 4)	736
1005N	Rough	441
Total Package List Price With Roughs		12877

Note: Sample configuration priced in Polished Chrome. Other configurations and finishes available. Complete your shower experience by including one of our decorative drain options.



EDWARDIAN™

It wasn't until the Edwardian age that indoor plumbing became common, putting an emphasis on bathroom design, especially fixtures. Faucet styles took after Neo-Baroque architecture, a cross between simplicity and grandeur, classic silhouettes with pronounced details, and a touch of whimsy. The Edwardian Collection makes a similar statement with a combination of columns, curves, and rounded shapes. Refined ring detailing graces the base, handles, neck and spout. The Collection captures the ebullient spirit of the age in styles perfect for today.

FINISH OPTIONS



HANDLE DESIGNS



EDWARDIAN™

BATHROOM FAUCETS



U.3670
[P.56](#)



U.3626
[P.56](#)



U.3760L OR U.3761X
[P.56](#)



U.3705L OR U.3706X
[P.57](#)

TUB FILLERS



U.3520L OR U.3521X
[P.57](#)



U.3780L OR U.3781X
[P.58](#)



U.3510L OR U.3511X
[P.58](#)



U.3248L OR U.3249X
[P.58](#)

SHOWER TRIM



U.TEW51W1
[P.60](#)



U.TEW23W1
[P.60](#)



U.TEW45W1
[P.60](#)



U.5565L OR U.5566X
[P.61](#)

ACCESSORIES



U.6960
[P.62](#)



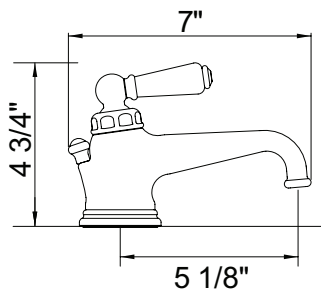
U.6921
[P.62](#)



U.6935
[P.63](#)



U.6941
[P.63](#)



U.3670 Edwardian™ Single Handle Lavatory Faucet



Handle	APC	PN	STN	SEG	EG	ULB	EB
U.3670L- -2	1298	1753	1753	1947	1947	1947	1947



- 1.2 GPM/4.5 LPM at 60 PSI (WaterSense and CEC compliant)
- 1/2" female NPSM inlet
- Lift rod drain assembly included with faucet
- Includes both porcelain and metal lever inserts

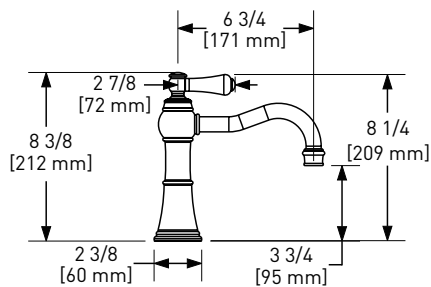
U.GA01D1 Edwardian™ Single Handle Lavatory Faucet



Handle	APC	PN	STN	EG	ULB	EB
U.GA01D1	1238	1672	1672	1857	1857	1857



- 1.2 GPM/4.5 LPM at 60 PSI (WaterSense and CEC compliant)
- 1/2" female NPSM inlet
- Push drain included with faucet



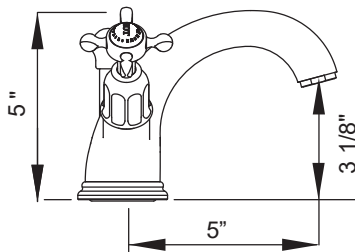
U.3626 Edwardian™ Two Handle Lavatory Faucet



Handle	APC	PN	STN	SEG	EG	ULB	EB
U.3626X- -2	1298	1753	1753	1947	1947	1947	1947



- 1.2 GPM/4.5 LPM at 60 PSI (WaterSense and CEC compliant)
- 1/2" female NPSM inlet
- Lift rod drain assembly included with faucet



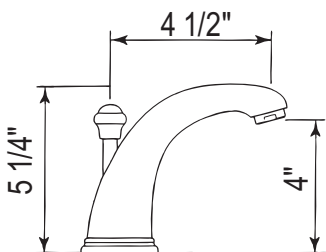
U.3760L OR U.3761X Edwardian™ Widespread Lavatory Faucet



Handle	APC	PN	STN	SEG	EG	ULB	EB
U.3760L- -2	1348	1820	1820	2022	2022	2022	2022
U.3761X- -2	1348	1820	1820	2022	2022	2022	2022



- 1.2 GPM/4.5 LPM at 60 PSI (WaterSense and CEC compliant)
- 1/2" male NPT inlet
- Lift rod drain assembly included with faucet
- Includes both porcelain and metal lever inserts for U.3760L



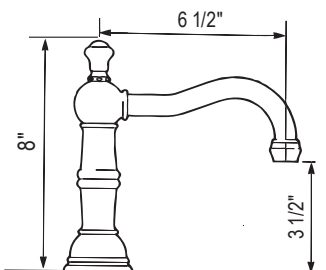
U.3720L OR U.3721X Edwardian™ Widespread Lavatory Faucet With Column Spout

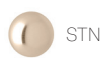


Handle	APC	PN	STN	SEG	EG	ULB	EB
U.3720L- -2	1838	2482	2482	2757	2757	2757	2757
U.3721X- -2	1838	2482	2482	2757	2757	2757	2757

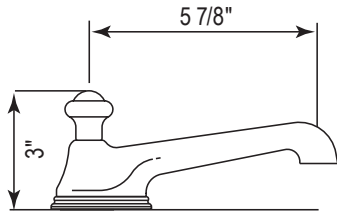


- 1.2 GPM/4.5 LPM at 60 PSI (WaterSense and CEC compliant)
- 1/2" male NPT inlet
- Lift rod drain assembly included with faucet
- Includes both porcelain and metal lever inserts for U.3720L





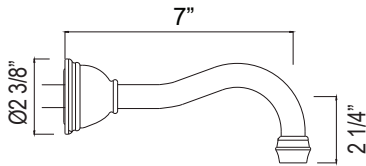
U.3705L OR U.3706X Edwardian™ Widespread Lavatory Faucet With Low Spout



Handle	APC	PN	STN	SEG	EG	ULB	EB
U.3705L-_-_-2	1668	2252	2252	2502	2502	2502	2502
U.3706X-_-_-2	1668	2252	2252	2502	2502	2502	2502

- 1.2 GPM/4.5 LPM at 60 PSI (WaterSense and CEC compliant)
- 1/2" male NPT inlet
- Lift rod drain assembly included with faucet
- Includes both porcelain and metal lever inserts for U.3705L

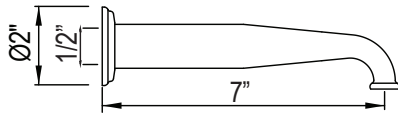
U.3790L OR U.3791X Edwardian™ Wall Mount Lavatory Faucet Trim With Column Spout



Handle	APC	PN	STN	EG	ULB	EB
U.3790L-_-_/TO-2	1128	1523	1523	1692	1692	1692
U.3791X-_-_/TO-2	1128	1523	1523	1692	1692	1692

- Includes both porcelain and metal lever inserts for U.3790L/TO
- Drain sold separately, see Lavatory Drain tab for pricing
- Order two U.3243 1 1/4" extension kits to extend valves: \$90
- Order two U.3243S 5/8" extension kits to extend valves: \$78
- 1.2 GPM/4.5 LPM at 60 PSI (WaterSense and CEC compliant)
- Plumber to provide 1/2" male nipple T-fitting for spout installation
- Rough-in valve sold separately. Select one:
 - Order U.3260R-2 wall rough-in valves (set of 2) for lever handles: \$438

U.3560L OR U.3561X Edwardian™ Wall Mount Lavatory Faucet Trim With U-Spout



Handle	APC	PN	STN	SEG	EG	ULB	EB
U.3560L-_-_/TO-2	1128	1523	1523	1692	1692	1692	1692
U.3561X-_-_/TO-2	1128	1523	1523	1692	1692	1692	1692

- Includes both porcelain and metal lever inserts for U.3560L/TO
- Drain sold separately, see Lavatory Drain tab for pricing
- Order two U.3243 1 1/4" extension kits to extend valves: \$90
- Order two U.3243S 5/8" extension kits to extend valves: \$78
- 1.2 GPM/4.5 LPM at 60 PSI (WaterSense and CEC compliant)
- Plumber to provide 1/2" male nipple T-fitting for spout installation
- Rough-in valve sold separately. Select one:
 - Order U.3260R-2 wall rough-in valves (set of 2) for lever handles: \$438

SEE LAVATORY DRAINS TAB FOR PRICING



5445



5447



6442



7444



8446

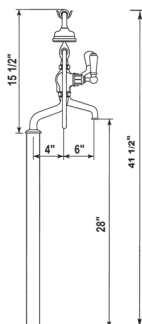


CC2310FWO



O127DOF

U.3520L OR U.3521X Traditional Floor Mount Tub Filler

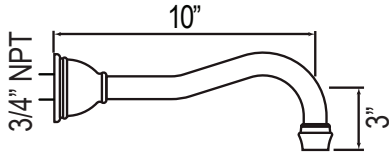


Handle	APC	PN	STN	SEG	EG	ULB	EB
U.3520L/1-_-_-	6788	9165	9165	10182	10182	10182	10182
U.3521X/1-_-_-	6788	9165	9165	10182	10182	10182	10182

- Single-function anti-calcium handshower at 1.8 GPM/6.8 LPM at 60 PSI (CEC Compliant)
- Includes both porcelain and metal lever inserts for U.3520L
- 19 GPM/72 LPM at 60 PSI
- 1/2" male NPT inlet
- Vacuum breaker not included
- No additional rough-in valve required to install



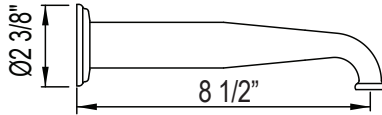
U.3780L OR U.3781X Edwardian™ Wall Mount Tub Filler Trim With Column Spout



Handle	APC	PN	STN	SEG	EG	EB	ULB
U.3780L- /TO	1728	2333	2333	2592	2592	2592	—
U.3781X- /TO	1728	2333	2333	2592	2592	2592	2592

- Extended lead time item (12-16 weeks)
- Includes both porcelain and metal lever inserts for U.3780L/TO
- 16 GPM/60.5 LPM at 60 PSI
- Plumber to provide 3/4" male nipple T-fitting for spout installation
- Rough-in valve sold separately. Select one:
 - Order U.3230R wall rough-in valves (set of 2) for lever handles: \$534
 - Order U.3231R wall rough-in valves (set of 2) for cross handles: \$534
- Order two U.3243 1 1/4" extension kits to extend valves: \$90

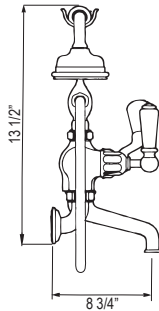
U.3580L OR U.3581X Edwardian™ Wall Mount Tub Filler Trim With U-Spout



Handle	APC	PN	STN	EG	ULB	EB
U.3580L- /TO	1728	2333	2333	2592	2592	2592
U.3581X- /TO	1728	2333	2333	2592	2592	2592

- Extended lead time item (12-16 weeks)
- Includes both porcelain and metal lever inserts for U.3580L/TO
- 16 GPM/60.5 LPM at 60 PSI
- Plumber to provide 3/4" male nipple T-fitting for spout installation
- Rough-in valve sold separately. Select one:
 - Order U.3230R wall rough-in valves (set of 2) for lever handles: \$534
 - Order U.3231R wall rough-in valves (set of 2) for cross handles: \$534
- Order two U.3243 1 1/4" extension kits to extend valves: \$90

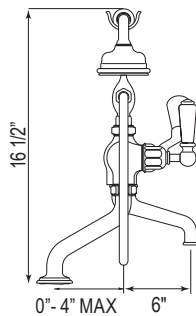
U.3510L OR U.3511X Traditional Exposed Wall Mount Tub Filler



Handle	APC	PN	STN	SEG	EG	ULB	EB
U.3510L/1-	4558	6155	6155	6837	6837	6837	6837
U.3511X/1-	4558	6155	6155	6837	6837	6837	6837

- Extended lead time item (12-16 weeks)
- Single-function anti-calcium handshower at 1.8 GPM/6.8 LPM at 60 PSI (CEC Compliant)
- Includes both porcelain and metal lever inserts for U.3510L
- 19 GPM/72 LPM at 60 PSI
- 3/4" female NPT inlet
- Vacuum breaker not included
- No additional rough-in valve required to install

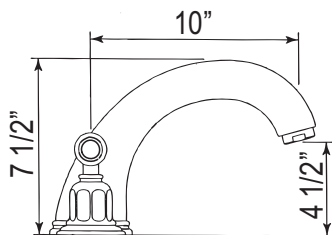
U.3500L OR U.3501X Traditional Exposed Deck Mount Tub Filler



Handle	APC	PN	STN	SEG	EG	ULB	EB
U.3500L/1-	4368	5898	5898	6552	6552	6552	6552
U.3501X/1-	4368	5898	5898	6552	6552	6552	6552

- Extended lead time item (12-16 weeks)
- Single-function anti-calcium handshower at 1.8 GPM/6.8 LPM at 60 PSI (CEC Compliant)
- Includes both porcelain and metal lever inserts for U.3500L
- 19 GPM/72 LPM at 60 PSI
- 3/4" male NPT inlet
- Vacuum breaker not included
- No additional rough-in valve required to install

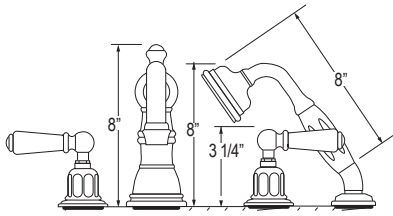
U.3248L OR U.3249X Edwardian™ 4-Hole Deck Mount Tub Filler



Handle	APC	PN	STN	EG	ULB	EB
U.3248L-	3838	5182	5182	5757	5757	5757
U.3249X-	3838	5182	5182	5757	5757	5757

- Extended lead time item (12-16 weeks)
- Single-function anti-calcium handshower at 1.8 GPM/6.8 LPM at 60 PSI (CEC Compliant)
- Includes both porcelain and metal lever inserts for U.3248L
- 20 GPM/76 LPM at 60 PSI
- 3/4" male NPT inlet
- No additional rough-in valve required to install

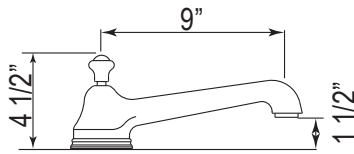
U.3745L OR U.3746X Edwardian™ 4-Hole Deck Mount Tub Filler With Column Spout



Handle	APC	PN	STN	EG	ULB	EB
U.3745L-	3898	5263	5263	5847	5847	5847
U.3746X-	3898	5263	5263	5847	5847	5847

- Extended lead time item (12-16 weeks)
- Single-function anti-calcium handshower at 1.8 GPM/6.8 LPM at 60 PSI (CEC Compliant)
- Includes both porcelain and metal lever inserts for U.3745L
- 20 GPM/76 LPM at 60 PSI
- 3/4" male NPT inlet
- No additional rough-in valve required to install

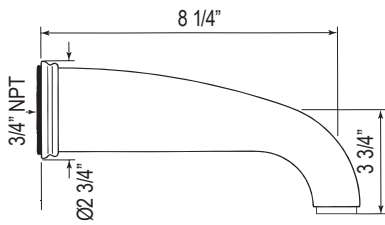
U.3737L OR U.3738X Edwardian™ 4-Hole Deck Mount Tub Filler With Low Spout



Handle	APC	PN	STN	EG	ULB	EB
U.3737L-	3838	5182	5182	5757	5757	5757
U.3738X-	3838	5182	5182	5757	5757	5757

- Extended lead time item (12-16 weeks)
- Single-function anti-calcium handshower at 1.8 GPM/6.8 LPM at 60 PSI (CEC Compliant)
- Includes both porcelain and metal lever inserts for U.3737L
- 20 GPM/76 LPM at 60 PSI
- 3/4" male NPT inlet
- No additional rough-in valve required to install

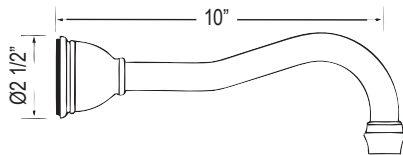
U.3805 Edwardian™ Wall Mount Tub Spout With C-Spout



	APC	PN	STN	EG	EB
U.3805	1058	1429	1429	1587	1587

- Extended lead time item (12-16 weeks)
- 3/4" female NPT inlet
- Metal Construction

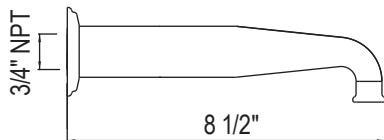
U.3785 Edwardian™ Wall Mount Tub Spout



	APC	PN	STN	EG	ULB	EB
U.3785	1058	1429	1429	1587	1587	1587

- Extended lead time item (12-16 weeks)
- 3/4" female NPT inlet
- Metal Construction

U.3585 Edwardian™ Wall Mount Tub Spout With U-Spout

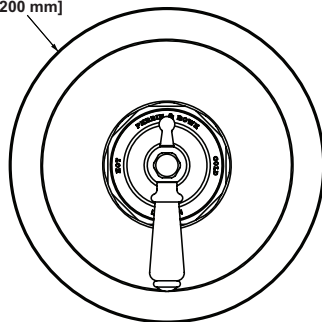


	APC	PN	STN	SEG	EG	ULB	EB
U.3585	748	1010	1010	1122	1122	1122	1122

- Extended lead time item (12-16 weeks)
- 3/4" female NPT inlet
- Metal Construction



Ø 7-7/8
[200 mm]



U.TEW51W1 Edwardian™ 1/2" Pressure Balance Trim

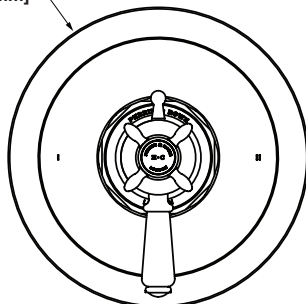


Handle	APC	PN	STN	SEG	EG	ULB	EB
U.TEW51W1L-	858	1159	1159	1287	1287	1287	1287



- Bottom outlet compatible with diverter tub spout
- 1 function
- Temp. & volume control at 5.8 GPM/22 LPM at 60 PSI
- Rough-in valve sold separately:
—Order R51 rough-in valve: \$184
- Extension kits available, 1 1/4" EXT51KIT114 and 3/4" EXT51KIT34

Ø 7-7/8
[200 mm]



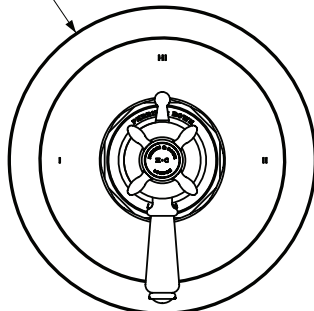
U.TEW44W1 (No Share) Edwardian™ 1/2" Therm & Pressure Balance Trim With 2 Functions

Handle	APC	PN	STN	SEG	EG	ULB	EB
U.TEW44W1L-	1158	1564	1564	1737	1737	1737	1737



- Combines both thermostatic and pressure balance technologies
- "Set it and forget it" temperature control
- Includes both porcelain and metal lever inserts
- 2 dedicated functions (CEC compliant)
- Temp. & volume control with diverter at 6.3 GPM/24 LPM at 60 PSI
- Rough-in valve sold separately:
—Order R23 rough-in valve: \$266
- Extension kits available, 1 1/4" EXT23KIT114 and 3/4" EXT23KIT34

Ø 200
[8]



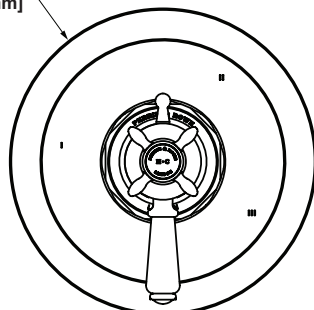
U.TEW23W1 (Shared) Edwardian™ 1/2" Therm & Pressure Balance Trim With 3 Functions

Handle	APC	PN	STN	SEG	EG	ULB	EB
U.TEW23W1L-	1158	1564	1564	1737	1737	1737	1737



- Combines both thermostatic and pressure balance technologies
- "Set it and forget it" temperature control
- Includes both porcelain and metal lever inserts
- 2 dedicated functions and 1 shared function
- Temp. & volume control with diverter at 6.3 GPM/24 LPM at 60 PSI
- Rough-in valve sold separately:
—Order R23 rough-in valve: \$266
- Extension kits available, 1 1/4" EXT23KIT114 and 3/4" EXT23KIT34

Ø 7-7/8
[200 mm]



U.TEW47W1 (No Share) Edwardian™ 1/2" Therm & Pressure Balance Trim With 3 Functions

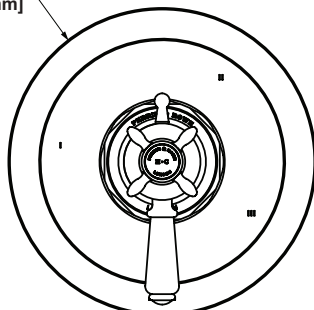


Handle	APC	PN	STN	SEG	EG	ULB	EB
U.TEW47W1L-	1158	1564	1564	1737	1737	1737	1737



- Combines both thermostatic and pressure balance technologies
- "Set it and forget it" temperature control
- Includes both porcelain and metal lever inserts
- 3 dedicated functions (CEC compliant)
- Temp. & volume control with diverter at 5 GPM/19 LPM at 60 PSI
- Rough-in valve sold separately:
—Order R45 rough-in valve: \$328
- Extension kits available, 1 1/4" EXT23KIT114 and 3/4" EXT23KIT34

Ø 7-7/8
[200 mm]



U.TEW45W1 (Shared) Edwardian™ 1/2" Therm & Pressure Balance Trim With 5 Functions



Handle	APC	PN	STN	SEG	EG	ULB	EB
U.TEW45W1L-	1158	1564	1564	1737	1737	1737	1737



- Combines both thermostatic and pressure balance technologies
- "Set it and forget it" temperature control
- Includes both porcelain and metal lever inserts
- 3 dedicated functions and 2 shared functions
- Temp. & volume control with diverter at 6.3 GPM/24 LPM at 60 PSI
- Rough-in valve sold separately:
—Order R45 rough-in valve: \$328
- Extension kits available, 1 1/4" EXT23KIT114 and 3/4" EXT23KIT34



APC



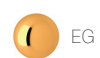
PN



STN



SEG



EG



ULB



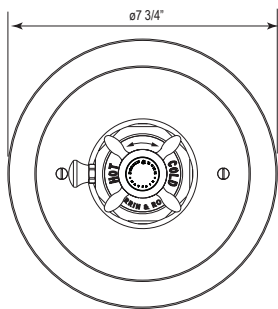
EB



Home



Index



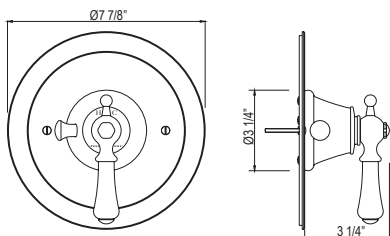
U.5565L OR U.5566X Edwardian™ 3/4" Round Thermostatic Trim Without Volume Control



Handle	APC	PN	STN	SEG	EG	ULB	EB
U.5565L-_/TO	1478	1996	1996	2217	2217	2217	2217
U.5566X-_/TO	1478	1996	1996	2217	2217	2217	2217



- Includes both porcelain and metal lever inserts for U.5565L
- Temperature control only
- 1 1/4" (3.175 cm) extension kit available, order part # 9.21585: \$75
- Rough-in valve sold separately:
 - Order 1005N rough-in valve: \$441
- Volume control(s) required



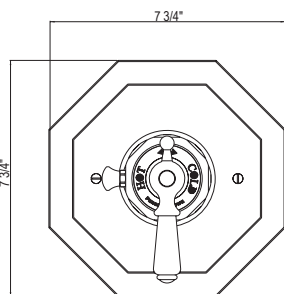
U.5785LS OR U.5786X Edwardian™ 3/4" Round Thermostatic Trim Without Volume Control



Handle	APC	PN	STN	EG	ULB	EB
U.5785LS-_/TO	1518	2050	2050	2277	2277	2277
U.5786X-_/TO	1518	2050	2050	2277	2277	2277



- Temperature control only
- Rough-in valve sold separately:
 - Order 1005N rough-in valve: \$441
- Volume control(s) required



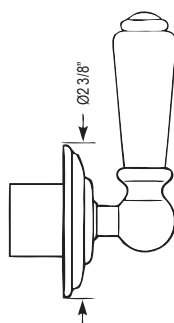
U.5585L OR U.5586X Edwardian™ 3/4" Octagonal Thermostatic Trim Without Volume Control



Handle	APC	PN	STN	SEG	EG	ULB	EB
U.5585L-_/TO	1478	1996	1996	2217	2217	2217	2217
U.5586X-_/TO	1478	1996	1996	2217	2217	2217	2217



- Includes both porcelain and metal lever inserts for U.5585L
- Temperature control only
- 1 1/4" (3.175 cm) extension kit available, order part # 9.21585: \$75
- Rough-in valve sold separately:
 - Order 1005N rough-in valve: \$441
- Volume control(s) required



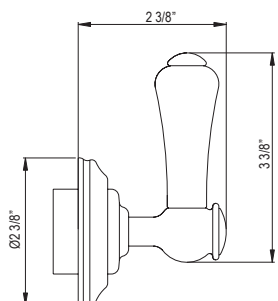
U.3240L OR U.3241X Edwardian™ Trim For Volume Control And Diverter



Handle	APC	PN	STN	SEG	EG	ULB	EB
U.3240L-_/TO	318	430	430	477	477	477	477
U.3241X-_/TO	318	430	430	477	477	477	477



- Includes both porcelain and metal lever inserts for U.3240L/TO
- Volume control or diverter only
- Rough-in valve sold separately. Select one:
 - Order R1040R 3/4" volume control rough-in valve: \$184
 - Order R1062BO 4-port, 3-way dedicated diverter rough-in valve: \$372



U.3774 Edwardian™ Trim For Volume Control And Diverter



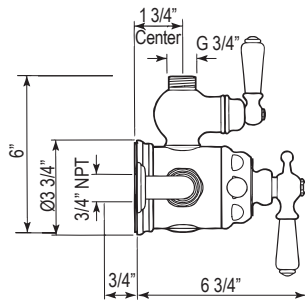
Handle	APC	PN	STN	EG	EB
U.3774LS-_/TO	348	470	470	522	522



- Volume control or diverter only
- Rough-in valve sold separately. Select one:
 - Order R1040R 3/4" volume control rough-in valve: \$184
 - Order R1062BO 4-port, 3-way dedicated diverter rough-in valve: \$372



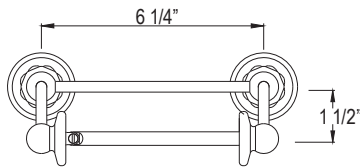
U.5550L OR U.5552X Edwardian™ 3/4" Exposed Therm Valve With Volume And Temperature Control



Handle	APC	PN	STN	SEG	EG	ULB	EB
U.5550L-	4198	5668	5668	6297	6297	6297	6297
U.5552X-	4198	5668	5668	6297	6297	6297	6297

- Includes both porcelain and metal lever inserts for U.5550L
- Temperature and volume control
- 14 GPM/53 LPM at 60 PSI
- Use return elbow U.5397 to add concealed shower functions or U.5398 to add tub spout
- For additional top outlet functionality, choose from the various outlet options in this chapter

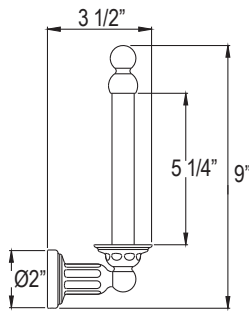
U.6960 Edwardian™ Toilet Paper Holder With Lift Arm



	APC	PN	STN	SEG	EG	ULB	EB
U.6960	458	619	619	687	687	687	687

- There's no need to compromise on design in this essential space
- Accommodates oversized toilet paper rolls

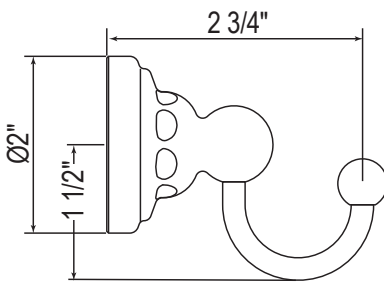
U.6947 Wall Mount Spare Toilet Paper Holder



	APC	PN	STN	SEG	EG	ULB	EB
U.6947	288	389	389	432	432	432	432

- There's no need to compromise on design in this essential space
- Accommodates oversized toilet paper rolls

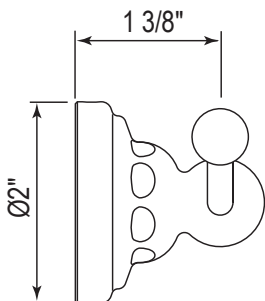
U.6921 Edwardian™ Robe Hook



	APC	PN	STN	SEG	EG	ULB	EB
U.6921	258	349	349	387	387	387	387

- Holds one robe or towel close to your shower or bathing space

U.6922 Edwardian™ Double Robe Hook



	APC	PN	STN	SEG	EG	ULB	EB
U.6922	258	349	349	387	387	387	387

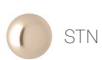
- Optimize space with this double hook for multiple robe/towel storage



APC



PN



STN



SEG



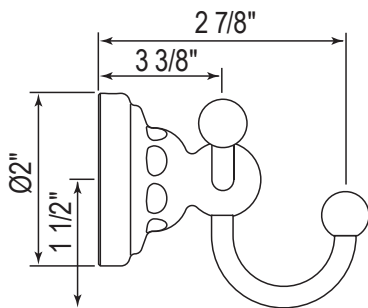
EG



ULB

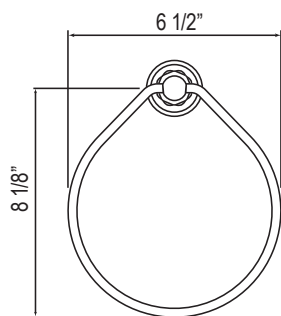


EB

**U.6923 Edwardian™ Triple Robe Hook**

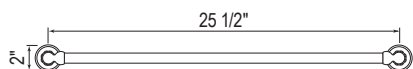
	APC	PN	STN	SEG	EG	ULB	EB
U.6923	268	362	362	402	402	402	402

- Optimize space with this triple hook for multiple robe/towel storage

**U.6935 Edwardian™ Towel Ring**

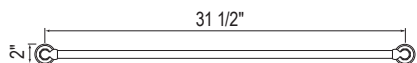
	APC	PN	STN	SEG	EG	ULB	EB
U.6935	288	389	389	432	432	432	432

- Elegantly display bath towels in a coordinated fashion with other accessories

**U.6941 Edwardian™ 26" Towel Bar**

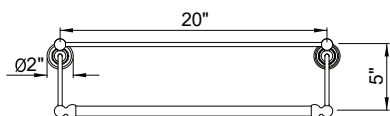
	APC	PN	STN	SEG	EG	ULB	EB
U.6941	658	889	889	987	987	987	987

- Length can be cut down

**U.6942 Edwardian™ 32" Towel Bar**

	APC	PN	STN	EG	ULB	EB
U.6942	678	916	916	1017	1017	1017

- Length can be cut down

**U.6961 Edwardian™ Wall Mount Towel Shelf**

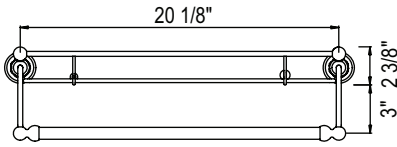
	APC	PN	STN	SEG	EG	ULB	EB
U.6961	978	1321	1321	1467	1467	1467	1467

- Towel rack with bar for hanging towels
- 11 5/8" (29.52 cm) projection





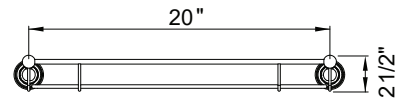
U.6975 Wall Mount Glass Vanity Shelf



	APC	PN	STN	EG	ULB	EB
U.6975	908	1226	1226	1362	1362	1362

- Tempered glass
- 6 1/4" (15.87 cm) projection

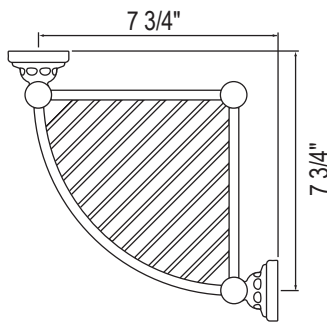
U.6953 Edwardian™ Wall Mount Tempered Glass Vanity Shelf



	APC	PN	STN	SEG	EG	EB
U.6953	858	1159	1159	1287	1287	1287

- Tempered glass
- 5" (12.7 cm) projection

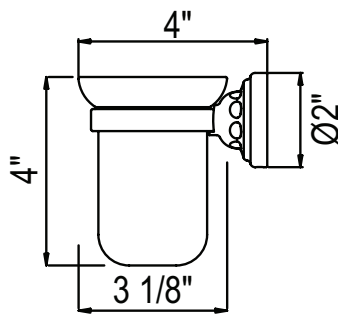
U.6916 Edwardian™ Wall Mount Corner Basket



	APC	PN	STN	SEG	EG	ULB	EB
U.6916	348	470	470	522	522	522	522

- An elegant addition to the shower space that provides a dedicated holder for your bar soap
- 7 3/4" (19.68 cm) projection

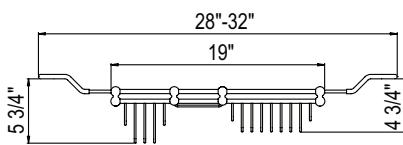
U.6969 Tumbler Holder



	APC	PN	STN	EG	ULB	EB
U.6969	348	470	470	522	522	522

- Complements traditional designs

U.6910 Edwardian™ 28–32" Bath Rack



	APC	PN	STN	SEG	EG	ULB	EB
U.6910	788	1064	1064	1182	1182	1182	1182

- Adjustable Width
- Brass construction



APC



PN



STN



SEG



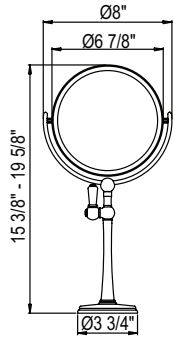
EG



ULB



EB

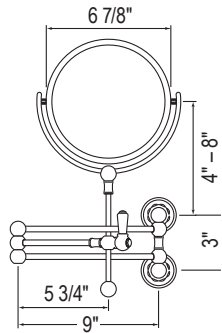


U.6931 Freestanding Makeup Mirror

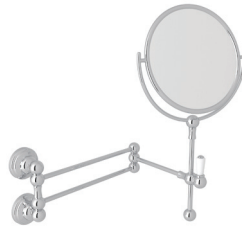


	APC	PN	STN	SEG	EG	ULB	EB
U.6931	678	916	916	1017	1017	1017	1017

- 3x magnification
- Brass construction

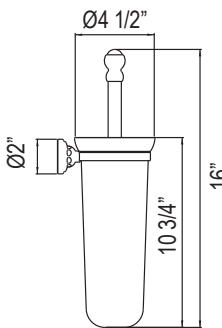


U.6918 Wall Mount Makeup Mirror



	APC	PN	STN	SEG	EG	ULB	EB
U.6918	788	1064	1064	1182	1182	1182	1182

- 3x magnification on magnified side of mirror



U.6938 Wall Mount Toilet Brush Holder



	APC	PN	STN	SEG	EG	ULB	EB
U.6938	728	983	983	1092	1092	1092	1092

- Unique wall mount design combining solid brass holder and brush handle with a white porcelain canister
- 5 5/8" (14.28 cm) projection



EDWARDIAN
U.KIT1NL or U.KIT1NX WALL MOUNT THERMOSTATIC SHOWER WITH VOLUME CONTROL AND HANDSHOWER

Suggested Retail Price

APC	PN	STN	SEG	EB	EG	ULB
8502	11480	11480	12753	12753	12753	12753

- European styling
- Brass construction
- Handshower and showerhead flow rate is 1.8 GPM/6.8 LPM at 60 PSI (CEC compliant). Valve flow rate is 14 GPM/53 LPM at 60 PSI.

Kit Includes:

- U.5550 or U.5552X - Exposed Therm Valve With Volume And Temperature Control
- U.5373N - Riser Diverter, Handshower, Hose, Parking Bracket And 8" Thermostatic Outlet
- U.5205 8" Rain Showerhead
- U.5393 31" Tall X 15" Reach Rigid Riser And Shower Outlet 40" Total Height

Complete your Shower experience by including one of our decorative drain options.



EDWARDIAN
U.KIT2L or U.KIT2X WALL MOUNT THERMOSTATIC SHOWER WITH VOLUME CONTROL

Suggested Retail Price

APC	PN	STN	EG	ULB	EB
6244	8431	8431	9366	9366	9366

- European styling
- Brass construction
- Showerhead flow rate is 1.8 GPM/6.8 LPM at 60 PSI (CEC compliant). Valve flow rate is 14 GPM/53 LPM at 60 PSI.

Kit Includes:

- U.5550 or U.5552X - Exposed Therm Valve With Volume And Temperature Control
- U.5205 8" Rain Showerhead
- U.5391 40" Tall x 15" Reach Riser

Complete your Shower experience by including one of our decorative drain options.



APC



PN



STN



SEG



EG



ULB



EB

[Home](#)[Index](#)

ARMSTRONG

DECO

EDWARDIAN

HOLBORN

DRAWER
PULLSLAVATORY
DRAINSROUGH-IN
VALVES

SHOWER

CARE &
MAINTENANCE

TERMS

EDWARDIAN 3/4" TUB FILLER OPTION 1



Suggested Retail Price

Model	Description	Polished Chrome
U.5565T0	Trim	1478
U.3585	Tub Spout	748
U.3240T0	Volume Control Trim (QTY: 2)	636
U.5387	Handshower	998
U.5544	Handshower Holder	608
U.5546	Outlet	288
1005N	Rough	441
R1040R	Volume Control Rough (QTY: 2)	368
Total Package List Price With Roughs		5565

Note: Sample configuration priced in Polished Chrome. Other configurations and finishes available. Complete your shower experience by including one of our decorative drain options.

EDWARDIAN PRESSURE BALANCE SHOWER OPTION 1



Suggested Retail Price

Model	Description	Polished Chrome
U.TEW51W1	Trim	858
U.5387	Handshower With Hose	998
U.5540	Handshower Bar	1418
U.5546	Outlet	288
R51	Rough	184
Total Package List Price With Roughs		3746

Note: Sample configuration priced in Polished Chrome. Other configurations and finishes available. Complete your shower experience by including one of our decorative drain options.



EDWARDIAN 1/2" THERM/PRESSURE BALANCE SHOWER OPTION 1

Suggested Retail Price

Model	Description	Polished Chrome
U.TEW23W1	Trim	1158
U.5205	Showerhead	928
U.5384	Shower Arm	698
U.5387	Handshower With Hose	998
U.5540	Handshower Bar	1418
U.5546	Outlet	288
R23	Rough	266
Total Package List Price With Roughs		5754
U.TEW44W1	Trim (No Share)	1158
Total Package List Price With Roughs		5754

Note: Sample configuration priced in Polished Chrome. Other configurations and finishes available. Complete your shower experience by including one of our decorative drain options.

EDWARDIAN 1/2" THERM/PRESSURE BALANCE SHOWER OPTION 2

Suggested Retail Price



Model	Description	Polished Chrome
U.TEW45W1	Trim	1158
U.5800	Showerhead	678
U.5362	Shower Arm	628
U.5204	Ceiling Rain Showerhead	1298
U.5388	Ceiling Shower Arm	268
U.5387	Handshower With Hose	998
U.5540	Handshower Bar	1418
U.5546	Outlet	288
R45	Rough	328
Total Package List Price With Roughs		7062
U.TEW47W1	Trim (No Share)	1158
Total Package List Price With Roughs		7062

Note: Sample configuration priced in Polished Chrome. Other configurations and finishes available. Complete your shower experience by including one of our decorative drain options.



APC



PN



STN



SEG



EG



ULB



EB

**EDWARDIAN 3/4" THERMOSTATIC SHOWER OPTION 1**

Suggested Retail Price



Model	Description	Polished Chrome
U.5565T0	Trim	1478
U.5800	Showerhead	678
U.5362	Shower Arm	628
U.5204	Ceiling Rain Showerhead	1298
U.5388	Ceiling Shower Arm	268
U.5387	Handshower With Hose	998
U.5535	Handshower Bar	1728
U.5570	Body Sprays (QTY: 3)	1884
U.3240T0	Volume Control Trim (QTY: 3)	954
R1040R	Volume Control Rough (QTY: 3)	552
1005N	Rough	441
Total Package List Price With Roughs		10907

Note: Sample configuration priced in Polished Chrome. Other configurations and finishes available. Complete your shower experience by including one of our decorative drain options.



HOLBORN™

The district of Holborn has some of the oldest and newest styles of architecture in London. Integrating modern structures with Tudor and Baroque styles for a natural flow requires an eye for reinvention. The Holborn Bath Collection does just that, creating a new, smooth, contemporary form. A pure, minimalist shape with a timeless quality, its clean curves and lines have a dynamic sense of motion. Lacking ornamentation, it stands out with sleek simplicity, which makes the distinctly modern Holborn feel at home everywhere.

FINISH OPTIONS



APC



PN



STN



EG



ULB
LIVING
FINISH

HANDLE DESIGNS



LS



X

COLLECTION HIGHLIGHTS
HOLBORN™

BATHROOM FAUCETS



U.3870
P.72



U.3860LS OR U.3861X
P.72



U.3955LS OR U.3956X
P.72



U.3321LS OR U.3322X
P.72

TUB FILLERS



U.3990
P.73



U.3331LS OR U.3332X
P.73



U.3848LS OR U.3849X
P.73



U.3975LS OR U.3976X
P.73

SHOWER TRIM



U.THB51W1
P.74



U.THB23W1
P.74



U.THB45W1
P.74



U.5885LS OR U.5886X
P.75

ACCESSORIES



U.6447
P.75



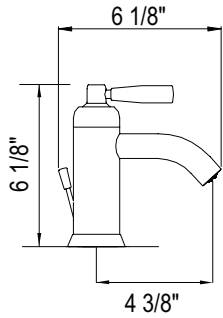
U.6421
P.75



U.6434
P.76



U.6440
P.76



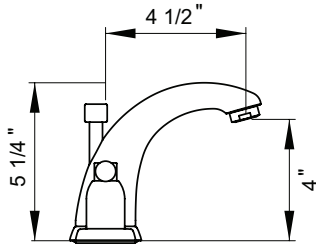
U.3870 Holborn™ Single Handle Lavatory Faucet



	APC	PN	STN	EG	ULB
U.3870LS-_-2	1238	1672	1672	1857	1857



- 1.2 GPM/4.5 LPM at 60 PSI (WaterSense and CEC compliant)
- 1/2" female NPSM inlet
- Lift rod drain assembly included with faucet



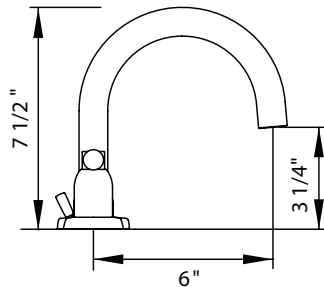
U.3860LS OR U.3861X Holborn™ Widespread Lavatory Faucet



Handle	APC	PN	STN	EG	ULB
U.3860LS-_-2	1398	1888	1888	2097	2097
U.3861X-_-2	1398	1888	1888	2097	2097



- 1.2 GPM/4.5 LPM at 60 PSI (WaterSense and CEC compliant)
- 1/2" male NPT inlet
- Lift rod drain assembly included with faucet



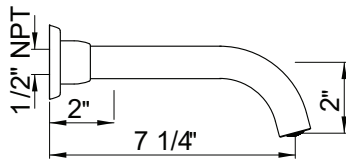
U.3955LS OR U.3956X Holborn™ Widespread Lavatory Faucet With C-Spout



Handle	APC	PN	STN	EG	ULB
U.3955LS-_-2	1508	2036	2036	2262	2262
U.3956X-_-2	1508	2036	2036	2262	2262



- 1.2 GPM/4.5 LPM at 60 PSI (WaterSense and CEC compliant)
- 1/2" male NPT inlet
- Lift rod drain assembly included with faucet



U.3321LS OR U.3322X Holborn™ Wall Mount Lavatory Faucet Trim



Handle	APC	PN	STN	EG	ULB
U.3321LS-_/TO-2	1268	1712	1712	1902	1902
U.3322X-_/TO-2	1268	1712	1712	1902	1902



- Drain sold separately, see Lavatory Drain tab for pricing
- Order two U.3243 1 1/4" extension kits to extend valves: \$90
- Order two U.3243S 5/8" extension kits to extend valves: \$78
- 1.2 GPM/4.5 LPM at 60 PSI (WaterSense and CEC compliant)
- Plumber to provide 1/2" male nipple T-fitting for spout installation
- Rough-in valve sold separately. Select one:
 - Order U.3260R-2 wall rough-in valves (set of 2) for lever handles: \$438
 - Order U.3261R-2 wall rough-in valves (set of 2) for cross handles: \$438

SEE LAVATORY DRAINS TAB FOR PRICING



5445



5447



6442



7444



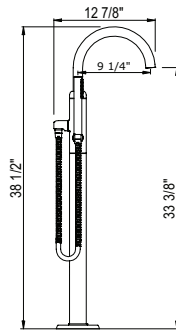
8446



CC2310FWO



O127DOF

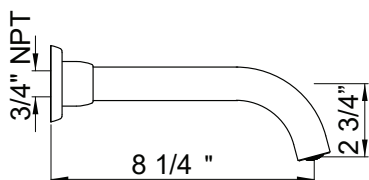


U.3990 Holborn™ Single Hole Floor Mount Tub Filler Trim With C-Spout



	APC	PN	STN	EG	ULB
U.3990LS-_/TO	3168	4277	4277	4752	4752

- Single-function anti-calcium handshower at 1.8 GPM/6.8 LPM at 60 PSI (CEC Compliant)
- 8 GPM/31 LPM at 60 PSI
- Rough-in valve sold separately:
—Order U.3440R floor rough-in valve: \$824

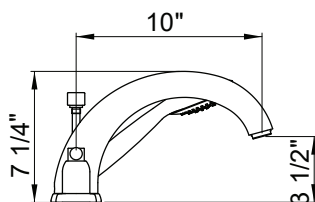


U.3331LS OR U.3332X Holborn™ Wall Mount Tub Filler Trim



Handle	APC	PN	STN	EG	ULB
U.3331LS-_/TO	1598	2158	2158	2397	2397
U.3332X-_/TO	1598	2158	2158	2397	—

- Extended lead time item (12-16 weeks)
- 16 GPM/60.5 LPM at 60 PSI
- Plumber to provide 3/4" male nipple T-fitting for spout installation
- Rough-in valve sold separately. Select one:
—Order U.3230R wall rough-in valves (set of 2) for lever handles: \$534
—Order U.3231R wall rough-in valves (set of 2) for cross handles: \$534
- Order two U.3243 1 1/4" extension kits to extend valves: \$90
- Order two U.3243S 5/8" extension kits to extend valves: \$78

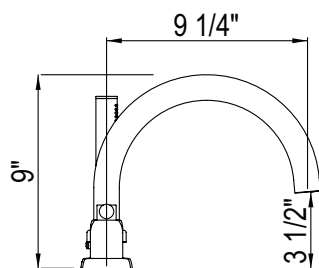


U.3848LS OR U.3849X Holborn™ 4-Hole Deck Mount Tub Filler With U-Spout



Handle	APC	PN	STN	EG
U.3848LS-	3658	4939	4939	5487
U.3849X-	3658	4939	4939	5487

- Extended lead time item (12-16 weeks)
- Single-function anti-calcium handshower at 1.8 GPM/6.8 LPM at 60 PSI (CEC Compliant)
- 20 GPM/76 LPM at 60 PSI
- 3/4" male NPT inlet
- No additional rough-in valve required to install

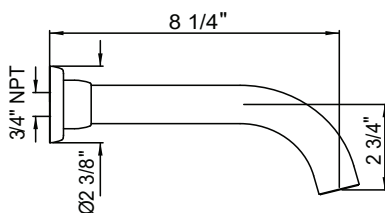


U.3975LS OR U.3976X Holborn™ 4-Hole Deck Mount Tub Filler With C-Spout



Handle	APC	PN	STN	EG	ULB
U.3975LS-	3718	5020	5020	5577	5577
U.3976X-	3718	5020	5020	5577	5577

- Extended lead time item (12-16 weeks)
- Single-function anti-calcium handshower at 1.8 GPM/6.8 LPM at 60 PSI (CEC Compliant)
- 20 GPM/76 LPM at 60 PSI
- 3/4" male NPT inlet
- No additional rough-in valve required to install



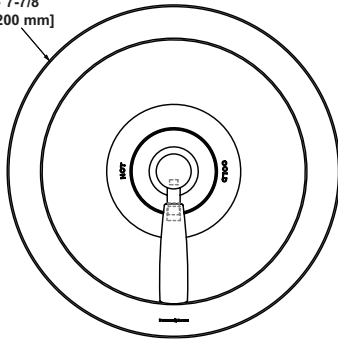
U.3330 Transitional Wall Mount Tub Spout

	APC	PN	STN	SEG	EG	ULB
U.3330	928	1253	1253	1392	1392	1392

- Extended lead time item (12-16 weeks)
- 3/4" female NPT inlet
- Metal Construction



Ø 7-7/8
[200 mm]



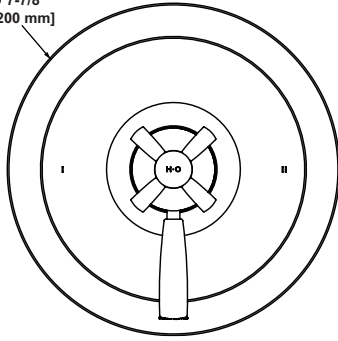
U.THB51W1 Holborn™ 1/2" Pressure Balance Trim



Handle	APC	PN	STN	EG	ULB
U.THB51W1LS-	788	1064	1064	1182	1182

- Bottom outlet compatible with diverter tub spout
- 1 function
- Temp. & volume control at 5.8 GPM/22 LPM at 60 PSI
- Rough-in valve sold separately:
—Order R51 rough-in valve: \$184
- Extension kits available, 1 1/4" EXT51KIT114 and 3/4" EXT51KIT34

Ø 7-7/8
[200 mm]



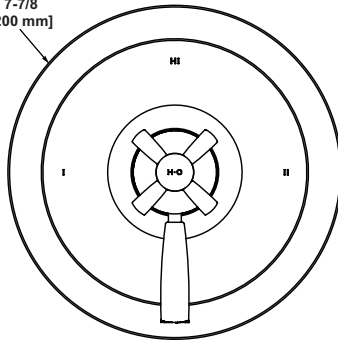
U.THB44W1 (No Share) Holborn™ 1/2" Therm & Pressure Balance Trim With 2 Functions



Handle	APC	PN	STN	EG	ULB
U.THB44W1LS-	1088	1469	1469	1632	1632

- Combines both thermostatic and pressure balance technologies
- "Set it and forget it" temperature control
- 2 dedicated functions (CEC compliant)
- Temp. & volume control with diverter at 6.3 GPM/24 LPM at 60 PSI
- Rough-in valve sold separately:
—Order R23 rough-in valve: \$266
- Extension kits available, 1 1/4" EXT23KIT114 and 3/4" EXT23KIT34

Ø 7-7/8
[200 mm]



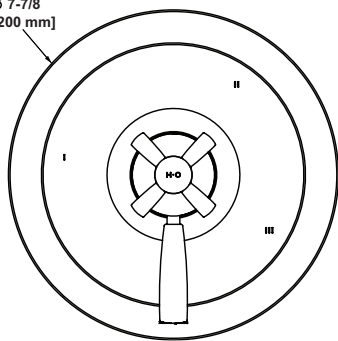
U.THB23W1 (Shared) Holborn™ 1/2" Therm & Pressure Balance Trim With 3 Functions



Handle	APC	PN	STN	EG	ULB
U.THB23W1LS-	1088	1469	1469	1632	1632

- Combines both thermostatic and pressure balance technologies
- "Set it and forget it" temperature control
- 2 dedicated functions and 1 shared function
- Temp. & volume control with diverter at 6.3 GPM/24 LPM at 60 PSI
- Rough-in valve sold separately:
—Order R23 rough-in valve: \$266
- Extension kits available, 1 1/4" EXT23KIT114 and 3/4" EXT23KIT34

Ø 7-7/8
[200 mm]



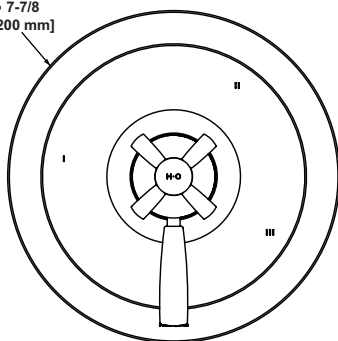
U.THB47W1 (No Share) Holborn™ 1/2" Therm & Pressure Balance Trim With 3 Functions



Handle	APC	PN	STN	EG	ULB
U.THB47W1LS-	1088	1469	1469	1632	1632

- Combines both thermostatic and pressure balance technologies
- "Set it and forget it" temperature control
- 3 dedicated functions (CEC compliant)
- Temp. & volume control with diverter at 5 GPM/19 LPM at 60 PSI
- Rough-in valve sold separately:
—Order R45 rough-in valve: \$328
- Extension kits available, 1 1/4" EXT23KIT114 and 3/4" EXT23KIT34

Ø 7-7/8
[200 mm]

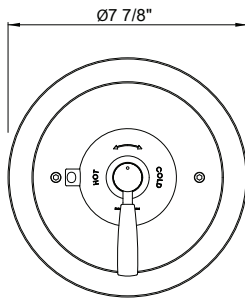
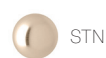


U.THB45W1 (Shared) Holborn™ 1/2" Therm & Pressure Balance Trim With 5 Functions



Handle	APC	PN	STN	EG	ULB
U.THB45W1LS-	1088	1469	1469	1632	1632

- Combines both thermostatic and pressure balance technologies
- "Set it and forget it" temperature control
- 3 dedicated functions and 2 shared functions
- Temp. & volume control with diverter at 6.3 GPM/24 LPM at 60 PSI
- Rough-in valve sold separately:
—Order R45 rough-in valve: \$328
- Extension kits available, 1 1/4" EXT23KIT114 and 3/4" EXT23KIT34



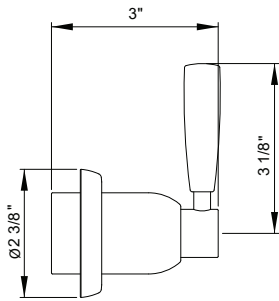
U.5885LS OR U.5886X Holborn™ 3/4" Thermostatic Trim Without Volume Control



Handle	APC	PN	STN	EG	ULB
U.5885LS-_/TO	1478	1996	1996	2217	2217
U.5886X-_/TO	1478	1996	1996	2217	2217



- Temperature control only
- Rough-in valve sold separately:
—Order 1005N rough-in valve: \$441
- Volume control(s) required



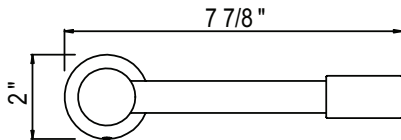
U.3064LS OR U.3065X Holborn™ Trim For Volume Control And Diverter



Handle	APC	PN	STN	EG	ULB
U.3064LS-_/TO	398	538	538	597	597
U.3065X-_/TO	398	538	538	597	597



- Volume control or diverter only
- Rough-in valve sold separately. Select one:
—Order R1040R 3/4" volume control rough-in valve: \$184
—Order R1062BO 4-port, 3-way dedicated diverter rough-in valve: \$372

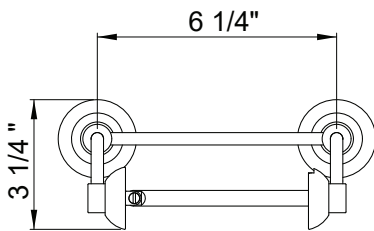


U.6447 Holborn™ Toilet Paper Holder

	APC	PN	STN	EG	ULB
U.6447	278	376	376	417	417



- There's no need to compromise on design in this essential space
- Accommodates oversized toilet paper rolls

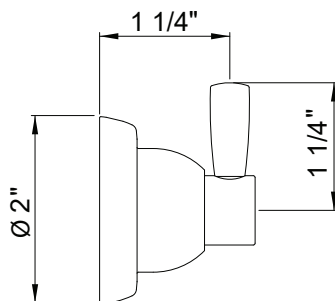


U.6448 Holborn™ Toilet Paper Holder

	APC	PN	STN	EG	ULB
U.6448	448	605	605	672	672



- There's no need to compromise on design in this essential space
- Accommodates oversized toilet paper rolls

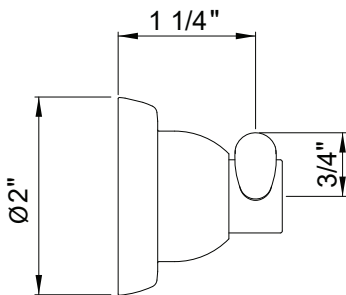


U.6421 Holborn™ Robe Hook

	APC	PN	STN	EG	ULB
U.6421	238	322	322	357	357



- Holds one robe or towel close to your shower or bathing space

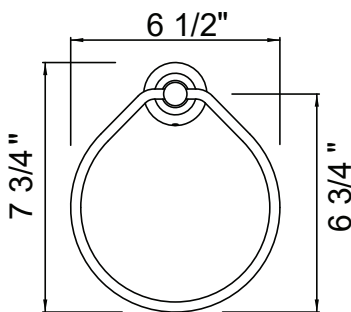


U.6422 Holborn™ Double Robe Hook

	APC	PN	STN	EG	ULB
U.6422	258	349	349	387	387



- Optimize space with this double hook for multiple robe/towel storage

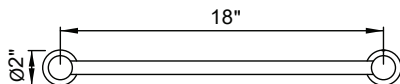


U.6434 Holborn™ Towel Ring

	APC	PN	STN	EG	ULB
U.6434	278	376	376	417	417



- Elegantly display bath towels in a coordinated fashion with other accessories

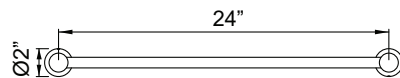


U.6440 Holborn™ 18" Towel Bar

	APC	PN	STN	EG	ULB
U.6440	588	794	794	882	882



- Length can be cut down

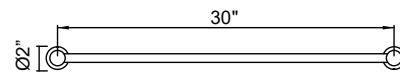


U.6441 Holborn™ 24" Towel Bar

	APC	PN	STN	EG	ULB
U.6441	608	821	821	912	912



- Length can be cut down



U.6442 Holborn™ 30" Towel Bar

	APC	PN	STN	EG	ULB
U.6442	628	848	848	942	942



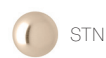
- Length can be cut down



APC



PN



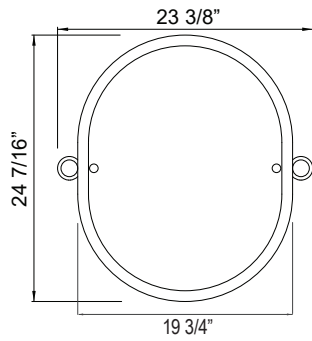
STN



EG

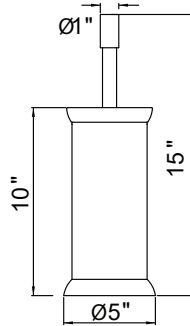


ULB

**U.6482** Holborn™ 25" Oval Mirror

	APC	PN	STN	EG
U.6482	1338	1807	1807	2007

- Beveled edges for a refined look

**U.6437** Holborn™ Floor Standing Toilet Brush Holder

	APC	PN	STN	EG
U.6437	608	821	821	912

- Unique design combining solid brass canister and white porcelain brush holder

HOLBORN ¾" TUB FILLER OPTION 1

Suggested Retail Price



Model	Description	Polished Chrome
U.5885TO	Trim	1478
U.3330	Tub Spout	928
U.3064TO	Volume Control Trim (QTY: 2)	796
U.5195	Handshower With Hose	1058
U.5544	Handshower Holder	608
U.5846	Outlet	288
1005N	Rough	441
R1040R	Volume Control Rough (QTY: 2)	368
Total Package List Price With Roughs		5965

Note: Sample configuration priced in Polished Chrome. Other configurations and finishes available. Complete your shower experience by including one of our decorative drain options.

HOLBORN PRESSURE BALANCE SHOWER OPTION 1

Suggested Retail Price



Model	Description	Polished Chrome
U.THB51W1	Trim	788
U.5815	Handshower	398
U.5840	Handshower Bar	1418
U.5846	Outlet	288
9.28385	Hose	198
R51	Rough	184
Total Package List Price With Roughs		3274

Note: Sample configuration priced in Polished Chrome. Other configurations and finishes available. Complete your shower experience by including one of our decorative drain options.

HOLBORN ½" THERM/PRESSURE BALANCE SHOWER OPTION 1

Suggested Retail Price



Model	Description	Polished Chrome
U.THB23W1	Trim	1088
U.5235	Showerhead	878
U.5884	Shower Arm	698
U.5815	Handshower	398
U.5840	Handshower Bar	1418
U.5846	Outlet	288
9.28385	Hose	198
R23	Rough	266
Total Package List Price With Roughs		5232
U.THB44W1	Trim (No Share)	1088
Total Package List Price With Roughs		5232

Note: Sample configuration priced in Polished Chrome. Other configurations and finishes available. Complete your shower experience by including one of our decorative drain options.

HOLBORN ½" THERM/PRESSURE BALANCE SHOWER OPTION 2

Suggested Retail Price



Model	Description	Polished Chrome
U.THB45W1	Trim	1088
U.5800	Showerhead	678
U.5882	Shower Arm	628
U.5237	Ceiling Rain Showerhead	1238
U.5888	Ceiling Shower Arm	258
U.5815	Handshower	398
U.5840	Handshower Bar	1418
U.5846	Outlet	288
9.28385	Hose	198
R45	Rough	328
Total Package List Price With Roughs		6520
U.THB47W1LS	Trim (No Share)	1088
Total Package List Price With Roughs		6520

Note: Sample configuration priced in Polished Chrome. Other configurations and finishes available. Complete your shower experience by including one of our decorative drain options.

HOLBORN 3/4" THERMOSTATIC SHOWER OPTION 1

Suggested Retail Price



Model	Description	Polished Chrome
U.5885TO	Trim	1478
U.5800	Showerhead	678
U.5882	Shower Arm	628
U.5237	Ceiling Rain Showerhead	1238
U.5888	Ceiling Shower Arm	258
U.5815	Handshower	398
U.5350	Handshower Bar	1778
9.28385	Hose	198
U.5870	Body Sprays (QTY: 3)	1884
U.3064TO	Volume Control Trim (QTY: 3)	1194
R1040R	Volume Control Rough (QTY: 3)	552
1005N	Rough	441
Total Package List Price With Roughs		10725

Note: Sample configuration priced in Polished Chrome. Other configurations and finishes available. Complete your shower experience by including one of our decorative drain options.



- ARMSTRONG
- DECO
- EDWARDIAN
- HOLBORN
- DRAWER PULLS
- LAVATORY DRAINS
- ROUGH-IN VALVES
- SHOWER
- CARE & MAINTENANCE
- TERMS



DRAWER PULLS

Match your drawer pulls to your kitchen and bath faucets for a unified and upscale look. From cup-style pulls to finely accented knobs in a variety of finishes, there is something for every design style. These fine accoutrements feel at home both in contemporary and traditional spaces.

FINISH OPTIONS



APC



PN



STN



SEG



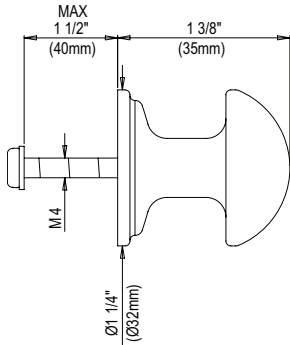
EG



ULB
LIVING
FINISH



EB

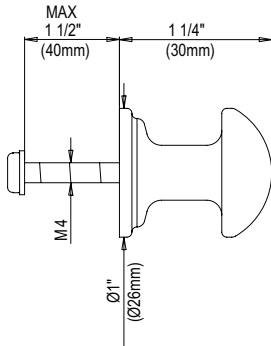


U.6580 Large Button Drawer Pull Knobs - Set of 5

	APC	PN	STN	SEG	EG	ULB	EB
U.6580	328	443	443	492	492	492	492



- All mounting hardware included
- Brass construction
- Pricing shown is for a set of 5 knobs

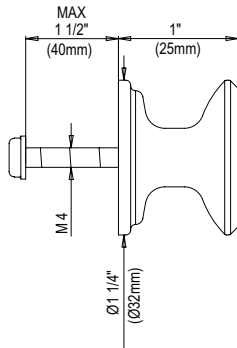


U.6581 Small Button Drawer Pull Knobs - Set of 5

	APC	PN	STN	SEG	EG	ULB	EB
U.6581	288	389	389	432	432	432	432



- All mounting hardware included
- Brass construction
- Pricing shown is for a set of 5 knobs

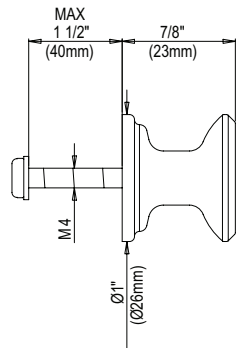


U.6590 Large Concave Drawer Pull Knobs - Set of 5

	APC	PN	STN	SEG	EG	ULB	EB
U.6590	328	443	443	492	492	492	492



- All mounting hardware included
- Brass construction
- Pricing shown is for a set of 5 knobs

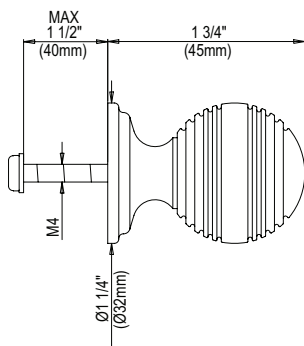


U.6591 Small Concave Drawer Pull Knobs - Set of 5

	APC	PN	STN	SEG	EG	ULB	EB
U.6591	288	389	389	432	432	432	432



- All mounting hardware included
- Brass construction
- Pricing shown is for a set of 5 knobs

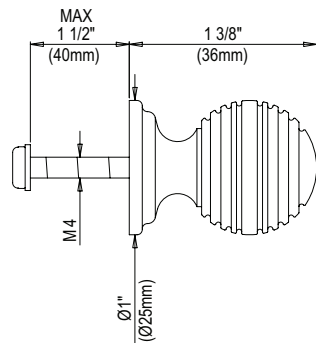


U.6570 Large Contour Drawer Pull Knobs - Set of 5

	APC	PN	STN	SEG	EG	ULB	EB
U.6570	328	443	443	492	492	492	492



- All mounting hardware included
- Brass construction
- Pricing shown is for a set of 5 knobs

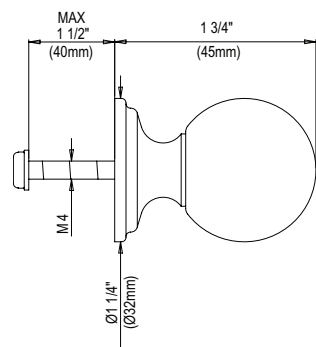


U.6571 Small Contour Drawer Pull Knobs - Set of 5

	APC	PN	STN	SEG	EG	ULB	EB
U.6571	288	389	389	432	432	432	432



- All mounting hardware included
- Brass construction
- Pricing shown is for a set of 5 knobs

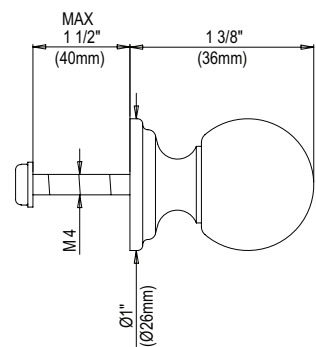


U.6560 Large Rounded Drawer Pull Knobs - Set of 5

	APC	PN	STN	SEG	EG	ULB	EB
U.6560	328	443	443	492	492	492	492



- All mounting hardware included
- Brass construction
- Pricing shown is for a set of 5 knobs

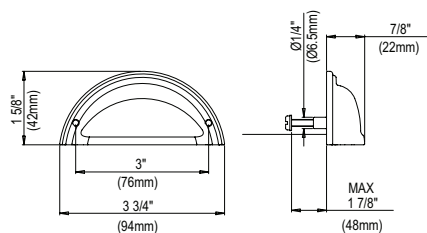


U.6561 Small Rounded Drawer Pull Knobs - Set of 5

	APC	PN	STN	SEG	EG	ULB	EB
U.6561	288	389	389	432	432	432	432



- All mounting hardware included
- Brass construction
- Pricing shown is for a set of 5 knobs



U.6055 Shell Drawer Pull Handles - Set of 5

	APC	PN	STN	SEG	EG	ULB	EB
U.6055	378	511	511	567	567	567	567



- All mounting hardware included
- Brass construction
- Pricing shown is for a set of 5 handles



ARMSTRONG

DECO

EDWARDIAN

HOLBORN

DRAWER
PULLS

LAVATORY
DRAINS

ROUGH-IN
VALVES

SHOWER

CARE &
MAINTENANCE

TERMS



LAVATORY DRAINS

Perrin & Rowe® lavatory sink drains come in many shapes and finishes. Select the one that meets both your technical and visual needs the best, depending on the type of sink configuration you have chosen.

FINISH OPTIONS



C



PN



BN



BK



BG



US4



APC



PN



STN



SEG



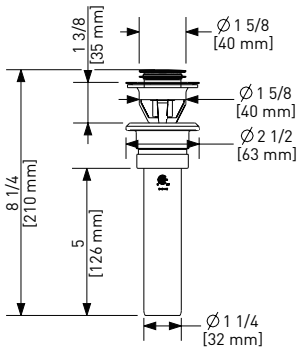
EG



ULB



EB

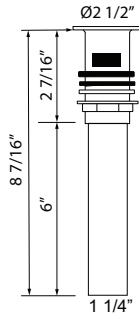


U.0127DOF Lavatory Push Drain With Overflow



	APC	PN	STN	SEG	EG	ULB	EB
U.0127DOF	308	416	416	462	462	462	462

- 5" tailpiece



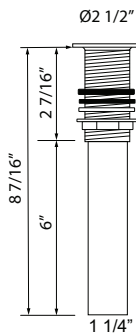
5447 Lavatory Push Drain With Overflow

ROHL



	APC	PN	STN	ULB	EG	EB
5447	412	557	557	618	618	618

- 6" tailpiece
- Fits 1 3/4" standard drain



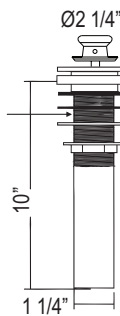
5445 Lavatory Push Drain Without Overflow

ROHL



	APC	PN	STN	ULB	EG	EB
5445	412	557	557	618	618	618

- 6" tailpiece
- Fits 1 3/4" standard drain



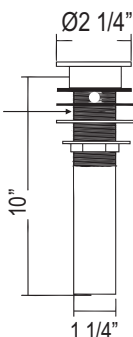
8446 Lavatory Lift And Turn Drain Without Overflow

ROHL



	APC	PN	STN	EG	EB
8446	408	551	551	612	612

- 10" tailpiece
- Fits 1 3/4" standard drain



7444 Lavatory Grid Drain With Overflow

ROHL

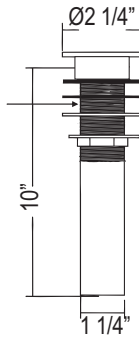


	APC	PN	STN	EG	EB
7444	328	443	443	492	492

- 10" tailpiece
- Fits 1 3/4" standard drain

6442 Lavatory Grid Drain Without Overflow

ROHL



	APC	PN	STN	ULB	EG	EB
6442	328	443	443	492	492	492

- 10" tailpiece
- Fits 1 3/4" standard drain



ARMSTRONG

DECO

EDWARDIAN

HOLBORN

DRAWER
PULLS

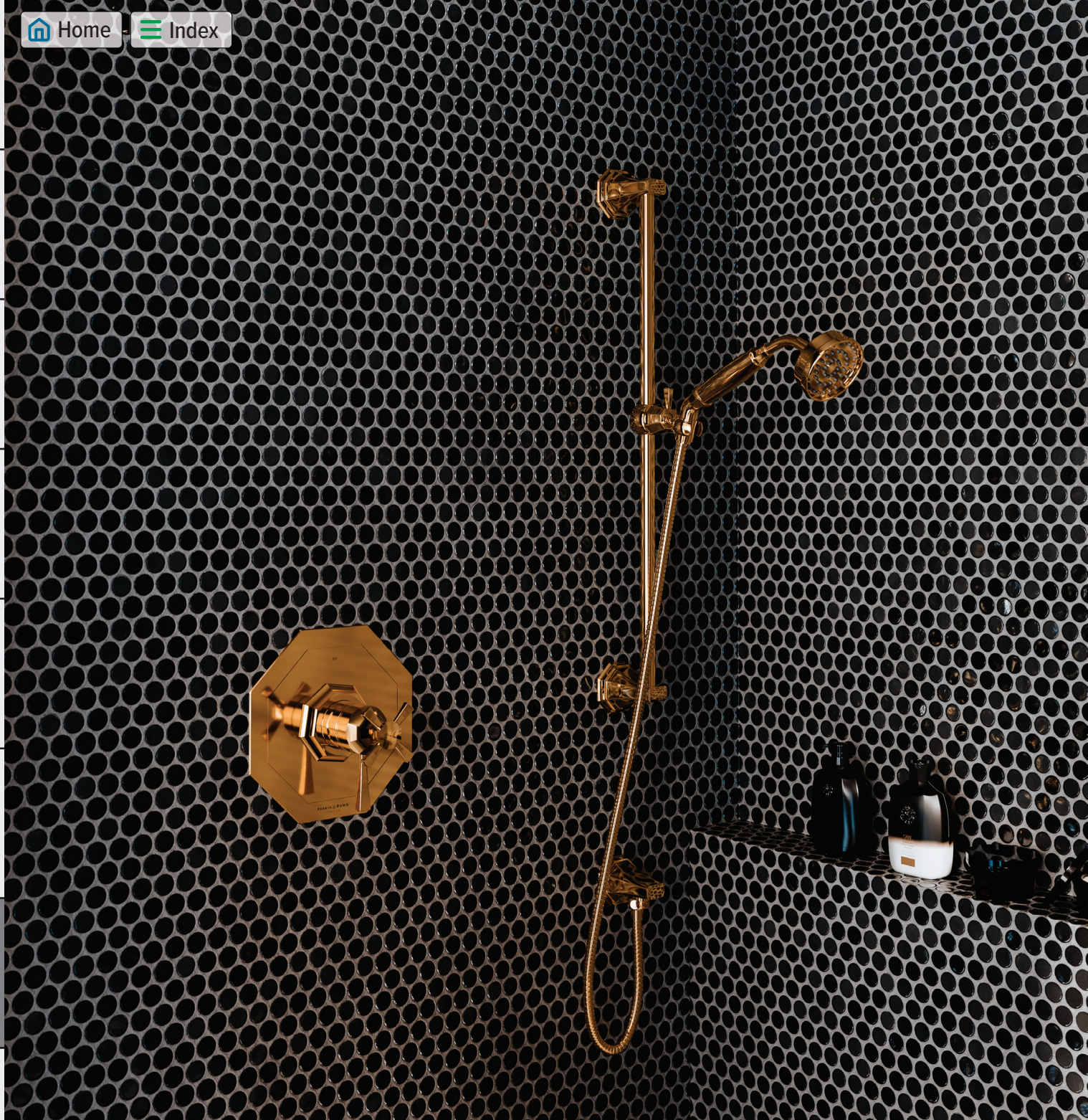
LAVATORY
DRAINS

ROUGH-IN
VALVES

SHOWER

CARE &
MAINTENANCE

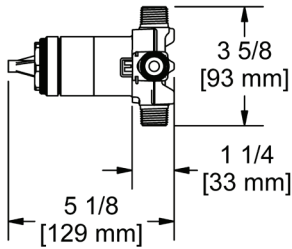
TERMS



ROUGH-IN VALVES

Shower design has evolved dramatically in the last 25 years. Originally created for purely functional reasons, modern showers have become much more than that. The rough-in valve is at the heart of any shower system to support the configuration that your customer desires. Whether it be a basic shower, a simple spa or a dream spa package, Perrin & Rowe has a valve to support it. Made with the best materials and supporting flow rates from 5 GPM to 16 GPM, these valves are offered with trims that match the faucet collection of your choice.

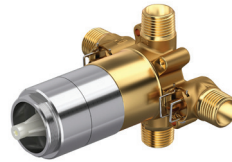
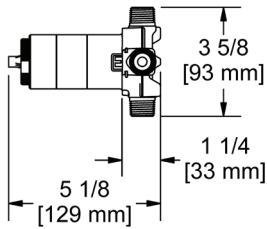
R51 1/2" Pressure Balance Rough-in Valve With 1 Function



Connection	\$
R51	184
R51-EX	184
R51-SPEX	184

- Bottom outlet compatible with diverter tub spout
- Temperature and volume control with 5.8 GPM/22 LPM at 60 PSI
- Inlet connections: 1/2" NPT, PEX (SPEX), Expansion Pex (EX)
- Must order TXX51 trim
- 1 1/4" R51 extension kit available, order EXT51KIT114: \$78
- 3/4" R51 extension kit available, order EXT51KIT34: \$50

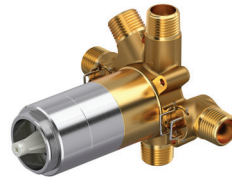
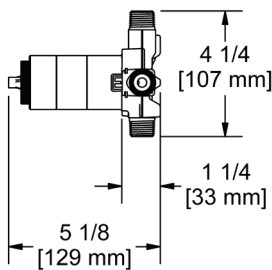
R23 1/2" Therm & Pressure Balance Rough-in Valve With up to 3 Functions



Connection	\$
R23	266
R23-EX	266
R23-SPEX	266

- Combines both thermostatic and pressure balance technologies
- Temperature and volume control with diverter
- Up to 3 functions
- 6.3 GPM/24.9 LPM at 60 PSI
- Inlet connections: 1/2" NPT, PEX (SPEX), Expansion Pex (EX)
- Must order TXX23 (shared) or TXX44 (no share) trim
- 1 1/4" R23 extension kit available, order EXT23KIT114: \$78
- 3/4" R23 extension kit available, order EXT23KIT34: \$48

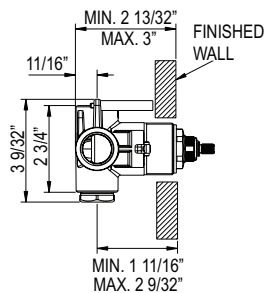
R45 1/2" Therm & Pressure Balance Rough-in Valve With up to 5 Functions



Connection	\$
R45	328
R45-EX	328
R45-SPEX	328

- Combines both thermostatic and pressure balance technologies
- Temperature and volume control with diverter
- Up to 5 functions
- 6.3 GPM/24.9 LPM at 60 PSI
- Inlet connections: 1/2" NPT, PEX (SPEX), Expansion Pex (EX)
- Must order TXX45 (shared) or TXX47 (no share) trim
- 1 1/4" R23 extension kit available, order EXT23KIT114: \$78
- 3/4" R23 extension kit available, order EXT23KIT34: \$48

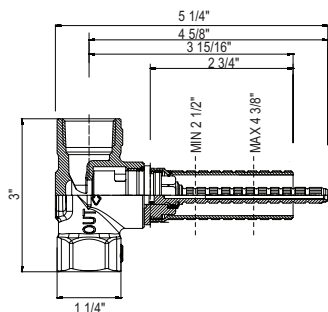
1005N 3/4" Thermostatic Rough-In Valve



Connection	\$
1005N	441

- Temperature control only
- 12 GPM/45.4 LPM at 60 PSI
- 3/4" female NPT inlet
- Must order trim to complete
- Must add volume control R1040R: \$184

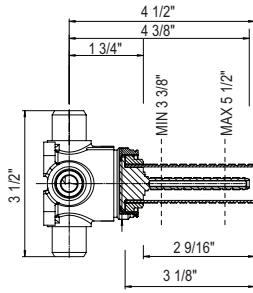
R104 3/4" Volume Control Rough-In Valve



Connection	\$
R1040R	184
R1041R	184

- Order R1040R for counterclockwise functionality and R1041R for clockwise functionality
- 1 function
- 14 GPM/53 LPM at 60 PSI
- 3/4" female NPT inlet
- Must order trim to complete
- Includes 2 5/8" extension kit. Extension may be cut to length required.

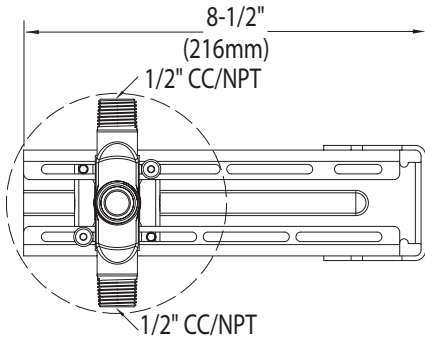
R1062BO 4-Port, 3-Way Dedicated Diverter Rough-In Valve



R1062BO	\$
	372

- Diverter only
- 3 functions
- 6.5 GPM/24.6 LPM at 60 PSI
- 1/2" male NPT inlet
- Must order trim to complete
- Shared function diverter cartridge available, order 11417

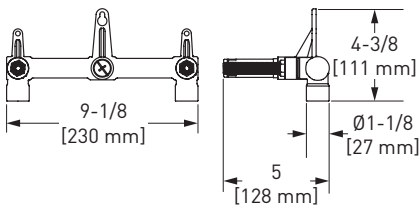
RH26BS01 Wall Mount Body Spray Rough-in Valve



RH26BS01	\$
	91

- 1/2" female NPT inlet
- For U.0226BS1 body spray

RH08WM Wall Mount Two Handle Widespread Rough-in Valve



RH08WM	\$
	328

- Integrated wall bracket
- Test plug on spout outlet
- 10 GPM/38 LPM at 60 PSI
- 1/2" female NPT inlet
- For wall mount two handle faucet trim

U.3440R Floor Mount Tub Filler Rough-in Valve



U.3440R	\$
	824

- Single Piece Rough Valve
- 1/2" male NPT inlets/outlets
- Rough must be recessed under the finished floor
- Must order trim to complete

U.3260R 1/2" Valve Roughs For Wall Mount Lever Set



U.3260R-2	\$
	438

- 1/2" female inlet

U.3261R 1/2" Valve Roughs For Wall Mount Cross Set

U.3261R-2

\$
438

- 1/2" female inlet

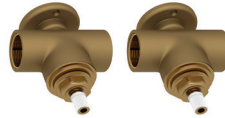


U.3230R 3/4" Valve Roughs For Wall Mount Lever Handle Set

U.3230R

\$
534

- 3/4" Female NPT inlets/outlets
- Plumber to provide 3/4" male nipple T-fitting for spout installation
- Must order trim to complete

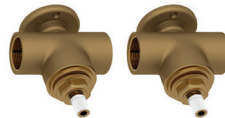


U.3231R 3/4" Valve Roughs For Wall Mount Cross Handle Set

U.3231R

\$
534

- 3/4" Female NPT inlets/outlets
- Plumber to provide 3/4" male nipple T-fitting for spout installation
- Must order trim to complete



ARMSTRONG

DECO

EDWARDIAN

HOLBORN

DRAWER
PULLS

LAVATORY
DRAINS

ROUGH-IN
VALVES

SHOWER

CARE &
MAINTENANCE

TERMS



SHOWER CONFIGURATION GUIDE

At the heart of every shower system is the valve and the inspiration behind each of our valves is our quest to provide an unparalleled experience through ease of installation and optimal functionality. All valves are made from solid brass, include features to simplify installation by the plumber and are supported by a limited lifetime warranty.

BASIC SHOWER

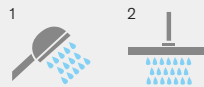
1/2" Pressure Balance Valve



- Provides both volume and temperature control in one handle
- Supports trims across Perrin & Rowe®, ROHL® and Riobel® collections

SIMPLE SPA

1/2" Thermostatic and Pressure Balance Valve



- No additional diverters or volume control/shut off valves needed
- Runs any 2 functions simultaneously or up to 3 functions independently
- Separate handle for a "set it and forget it" shower temperature system
- Supports trims across Perrin & Rowe, ROHL and Riobel collections

DREAM SPA

3/4" Thermostatic Valve



- Delivers volumes from 10-20 GPM enabling you to transform any bathroom into a luxurious spa
- Supports any shower design, ranging from a streamlined 2-person shower system to more decadent configurations
- Supports complete experience customization with specific volume controls for all functions
- Separate handle for a "set it and forget it" shower temperature system

ROUGH-IN VALVE COMPARISON

ARMSTRONG

DECO

EDWARDIAN

HOLBORN

DRAWER PULLS

LAVATORY DRAINS

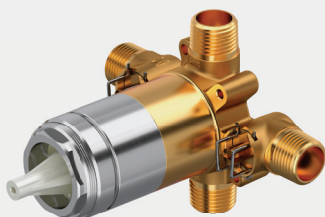
ROUGH-IN VALVES

SHOWER

CARE & MAINTENANCE

TERMS

VALVE — TYPE P (PRESSURE BALANCE)



R51

- 5.8 GPM
- Rough only
- ½" inlet male NPT or sweat
- ½" outlet male NPT or sweat
- Service valves
- Test cap
- TXX51XX trim required

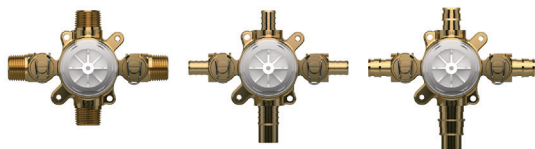
R51-SPEX

- 5.8 GPM
- Rough only
- ½" inlet PEX
- ½" shower outlet PEX
- ¾" bath outlet PEX or ½" sweat
- Service valves
- Test cap
- TXX51XX trim required to complete

R51-EX

- 5.8 GPM
- Rough only
- ½" inlet EXPANSION PEX
- ½" shower outlet EXPANSION PEX
- ¾" bath outlet EXPANSION PEX or ½" sweat
- Service valves
- Test cap
- TXX51XX trim required

CONNECTION EXAMPLES

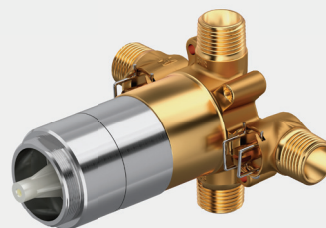


NPT

-SPEX

-EX

2-WAY — TYPE T/P (THERMOSTATIC/PRESSURE BALANCE) COAXIAL PATENTED VALVE



R23

- 6.3 GPM
- Rough only
- ½" inlet male NPT or sweat
- ½" outlet male NPT or sweat
- Service valves
- Test cap
- TXX23XX or TXX44XX trim required

R23-SPEX

- 6.3 GPM
- Rough only
- ½" inlet PEX
- Two ½" shower outlets PEX
- Service valves
- Test cap
- TXX23XX or TXX44XX trim required

R23-EX

- 6.3 GPM
- Rough only
- ½" inlet EXPANSION PEX
- Two ½" shower outlets EXPANSION PEX
- Service valves
- Test cap
- TXX23XX or TXX44XX trim required

CONNECTION EXAMPLES



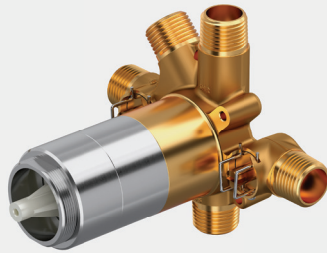
NPT

-SPEX

-EX

3-WAY — TYPE T/P

(THERMOSTATIC/PRESSURE BALANCE)
COAXIAL PATENTED VALVE



R45

- 6.3 GPM
- Rough only
- ½" inlet male NPT or sweat
- Three ½" outlets male NPT or sweat
- Service valves
- Test cap
- TXX45XX or TXX47XX trim required

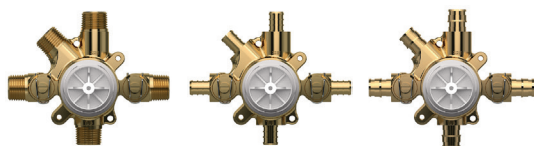
R45-SPEX

- 6.3 GPM
- Rough only
- ½" inlet PEX
- Three ½" outlets PEX
- Service valves
- Test cap
- TXX45XX or TXX47XX trim required

R45-EX

- 6.3 GPM
- Rough only
- ½" inlet EXPANSION PEX
- Three ½" outlets EXPANSION PEX
- Service valves
- Test cap
- TXX45XX or TXX47XX trim required

CONNECTION EXAMPLES



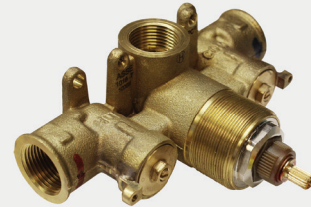
NPT

-SPEX

-EX

VALVE — TYPE T

(THERMOSTATIC) ¾"



1005N

- 12.0 GPM
- Rough only
- ¾" inlet female NPT
- Temperature Control Only. Must order volume control rough valves separately.
- Stop Valves
- Two ¾" NPT outlets female
- TXX13 trim required

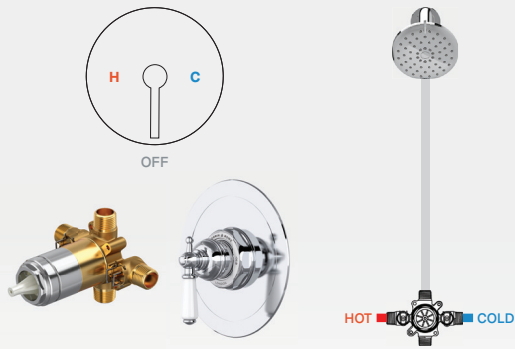
SHOWER CONFIGURATION GUIDE

1/2" PRESSURE BALANCE

R51 | Basic Shower — 1 Function

High Efficiency

- 5.8 GPM
- Temperature and volume control
- Extension kit available and sold separately
- Available inlet connections: 1/2" NPT, PEX (SPEX), Expansion PEX (EX)
- Bottom outlet compatible with diverter tub spout; not suitable for handshower
- Must purchase trim TXX51 separately

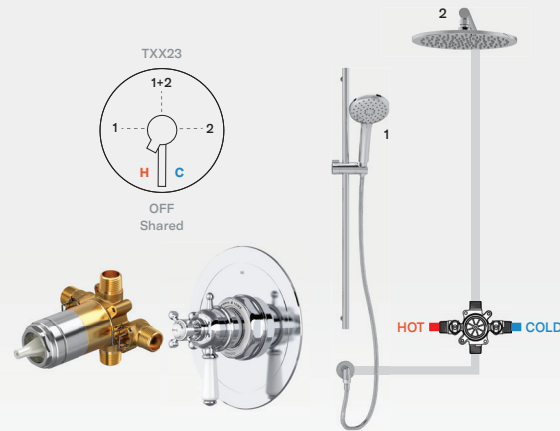


SHOWER CONFIGURATION GUIDE

1/2" THERMOSTATIC AND PRESSURE BALANCE

R23 | Simple Spa — 3 Functions

- 6.3 GPM
- 2 dedicated functions and 1 shared function
- Temperature and volume control with diverter
- Separate handle allows for "set it and forget it" temperature control
- Combines both thermostatic and pressure balance technologies
- Extension kit available and sold separately
- Available inlet connections: 1/2" NPT, PEX (SPEX), Expansion Pex (EX)
- Must purchase trim TXX23 separately

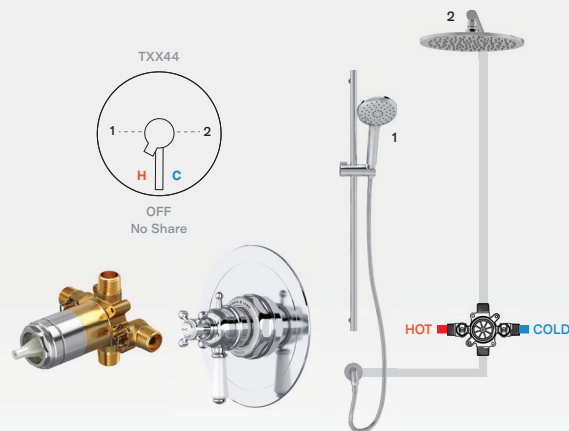


1/2" THERMOSTATIC AND PRESSURE BALANCE

R23 | Simple Spa — 2 Dedicated Functions

High Efficiency

- 6.3 GPM
- 2 dedicated functions
- Temperature and volume control with diverter
- Separate handle allows for "set it and forget it" temperature control
- Combines both thermostatic and pressure balance technologies
- Extension kit available and sold separately
- Available inlet connections: 1/2" NPT, PEX (SPEX), Expansion Pex (EX)
- Must purchase trim TXX44 separately

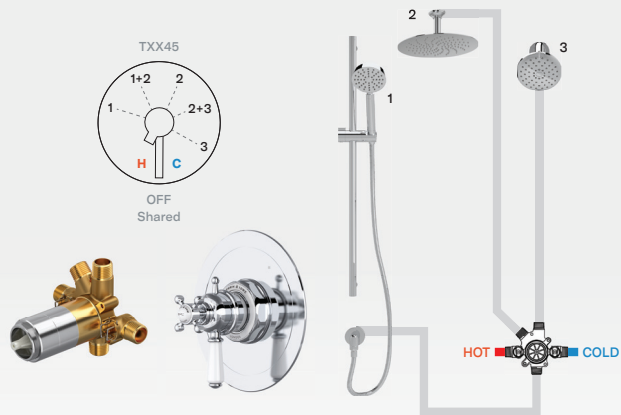


SHOWER CONFIGURATION GUIDE

1/2" THERMOSTATIC AND PRESSURE BALANCE

R45 | Simple Spa — 5 Functions

- 6.3 GPM
- 3 dedicated functions and 2 shared functions
- Temperature and volume control with diverter
- Separate handle allows for "set it and forget it" temperature control
- Combines both thermostatic and pressure balance technologies
- Extension kit available and sold separately
- Available inlet connections: 1/2" NPT, PEX (SPEX), Expansion PEX (EX)
- Must purchase trim TXX45 separately

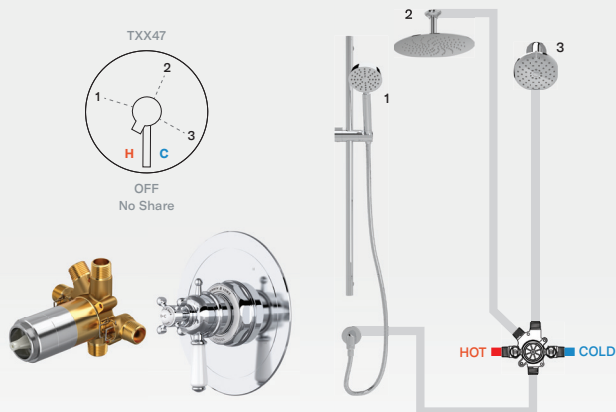


1/2" THERMOSTATIC AND PRESSURE BALANCE

R45 | Simple Spa — 3 Dedicated Functions

High Efficiency

- 6.3 GPM
- 3 dedicated functions
- Temperature and volume control with diverter
- Separate handle allows for "set it and forget it" temperature control
- Combines both thermostatic and pressure balance technologies
- Extension kit available and sold separately
- Available inlet connections: 1/2" NPT, PEX (SPEX), Expansion PEX (EX)
- Must purchase trim TXX47 separately

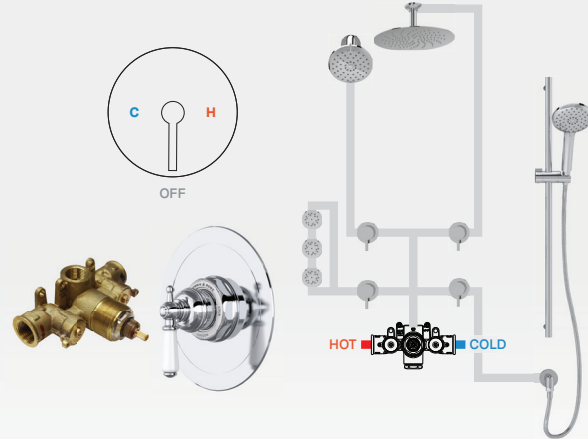


SHOWER CONFIGURATION GUIDE

3/4" THERMOSTATIC ROUGH VALVE

1005N | Dream Spa — Multi-Function

- 12.0 GPM
- "Set it and forget it" temperature control only
- Extension kit included with valve
- Must add R1040R volume controls, sold separately
- As configured in diagram, every component may be utilized separately
- For increased functionality, add additional volume controls
- Available inlet connection: 3/4" NPT
- Must purchase trim separately



3/4" THERMOSTATIC ROUGH VALVE

1005N | Dream Spa — Dedicated Multi-Functions

High Efficiency

- 12.0 GPM
- "Set it and forget it" temperature control only
- Extension kit included with valve
- Must add R1040R volume controls, sold separately
- Must add R1062BO diverter, sold separately
- Available inlet connection: 3/4" NPT
- Must purchase trim separately





SHOWER

Perrin and Rowe® offers a variety of recommended shower components, including body sprays, rain showers, ADA compliant grab bars, coordinating shower arms, valve trims and valve options to transform your shower into a spa and deliver the luxurious showering experience you dream of.

FINISH OPTIONS



APC



PN



STN



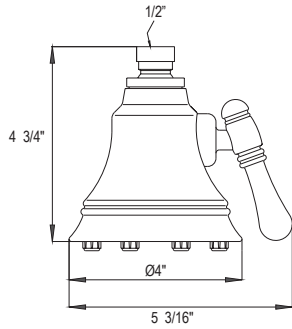
SEG



EG

ULB
LIVING
FINISH

EB



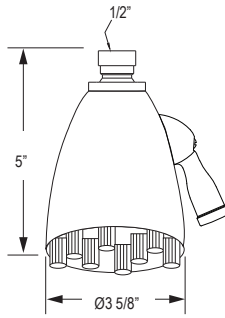
WI0123 4" Multi-Function Showerhead

ROHL

	APC	PN	STN	EB
WI0123	468	632	632	702



- Adjustable dial allows for infinite number of spray settings
- 1.8 GPM/6.8 LPM at 60 PSI (CEC compliant)
- 3/4"F to 1 1/2"M adaptor available see part # U.5399
- Metal construction



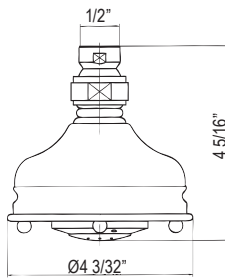
BI00059 4" Multi-Function Showerhead

ROHL

	APC	PN	STN	ULB	EB
BI00059	468	632	632	702	702



- Adjustable dial allows for infinite number of spray settings
- 1.8 GPM/6.8 LPM at 60 PSI (CEC compliant)
- 3/4"F to 1 1/2"M adaptor available see part # U.5399
- Metal construction



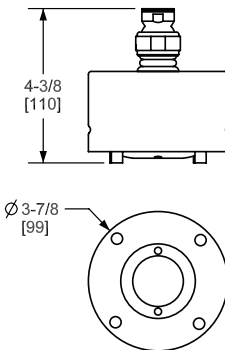
1085/8 4" 3-Function Showerhead

ROHL 

	APC	PN	STN	ULB
1085/8	518	700	700	777



- 3 functions
- 1.8 GPM/6.8 LPM at 60 PSI (CEC compliant)
- Metal construction



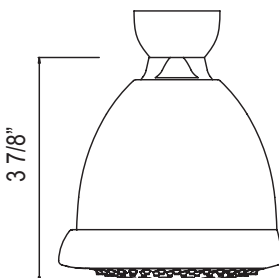
1080/8 4" 5-Function Showerhead

ROHL

	APC	PN	STN	ULB
1080/8	518	700	700	777



- 5 functions
- 1.8 GPM/6.8 LPM at 60 PSI (CEC compliant)
- Metal construction



U.5800 4" 6-Function Showerhead

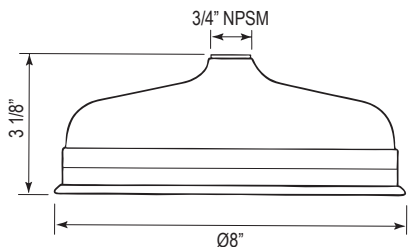


	APC	PN	STN	SEG	EG
U.5800	678	916	916	1017	1017



- 6 functions
- 1.8 GPM/6.8 LPM at 80 PSI (WaterSense and CEC compliant)
- The showerhead comes with a 3/4" adaptor installed. Remove 3/4" adaptor for 1/2" installation
- Metal construction

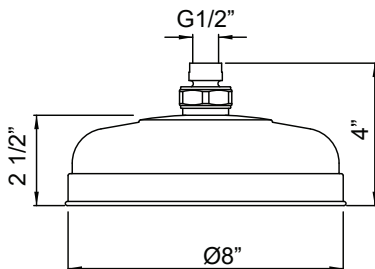
U.5205 8" Rain Showerhead



	APC	PN	STN	SEG	EG	ULB	EB
U.5205	928	1253	1253	1392	1392	1392	1392

- 1 function
- 1.8 GPM/6.8 LPM at 80 PSI (WaterSense and CEC compliant)
- 3/4" NPSM connection
- To install on 1/2" outlet shower arms, use adaptor U.5379
- Metal construction

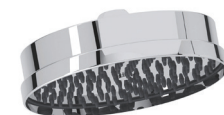
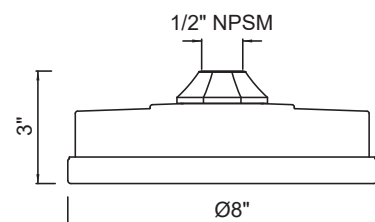
U.5260 8" Rain Showerhead



	APC	PN	STN	EG
U.5260	1118	1510	1510	1677

- 1 function
- 1.8 GPM/6.8 LPM at 80 PSI (WaterSense and CEC compliant)
- Metal construction

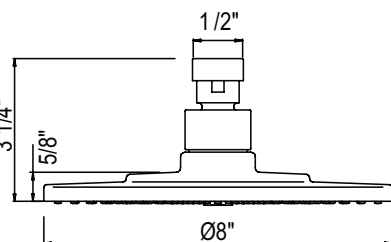
U.5135 8" Rain Showerhead



	APC	PN	EG
U.5135	1058	1429	1587

- Complements Deco™ collection and other transitional designs
- 1 function
- 1.8 GPM/6.8 LPM at 80 PSI (WaterSense and CEC compliant)
- Metal construction

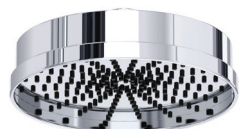
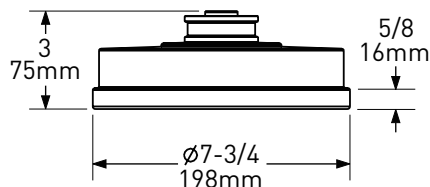
U.5235 8" Rain Showerhead



	APC	PN	STN	SEG	EG	ULB	EB
U.5235	878	1186	1186	1317	1317	1317	1317

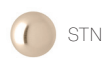
- 1 function
- 1.8 GPM/6.8 LPM at 80 PSI (WaterSense and CEC compliant)
- Metal construction

U.80126RS1 8" Rain Showerhead

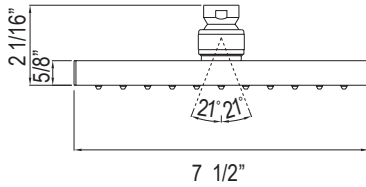


	APC	PN	STN	SEG	EG	ULB
U.80126RS1	928	1253	1253	1392	1392	1392

- 1 function
- 1.8 GPM/6.8 LPM at 60 PSI (CEC compliant)
- Metal construction



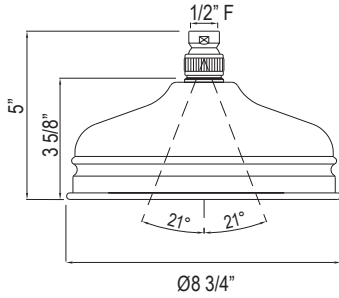
1070/8 8" Rain Showerhead



	APC	PN	STN
1070/8	1078	1456	1456

- 1 function
- 1.8 GPM/6.8 LPM at 80 PSI (WaterSense and CEC compliant)
- Metal construction

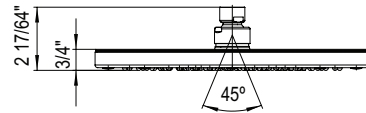
1037/8 9" Rain Showerhead



	APC	PN	STN	ULB
1037/8	688	929	929	1032

- 1 function
- 1.8 GPM/6.8 LPM at 80 PSI (WaterSense and CEC compliant)
- Metal construction

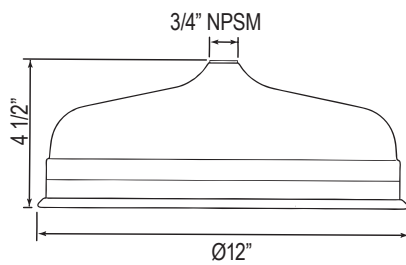
I00410 10" Rain Showerhead



	APC	PN	STN
I00410	738	997	997

- 1 function
- 1.8 GPM/6.8 LPM at 80 PSI (WaterSense and CEC compliant)
- Metal construction

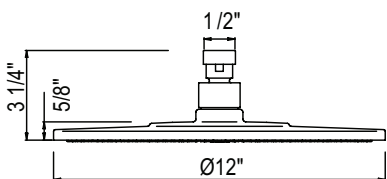
U.5204 12" Rain Showerhead



	APC	PN	STN	SEG	EG	ULB	EB
U.5204	1298	1753	1753	1947	1947	1947	1947

- 1 function
- 1.8 GPM/6.8 LPM at 80 PSI (WaterSense and CEC compliant)
- 3/4" NPSM connection
- To install on 1/2" outlet shower arms, use adaptor U.5379
- Metal construction

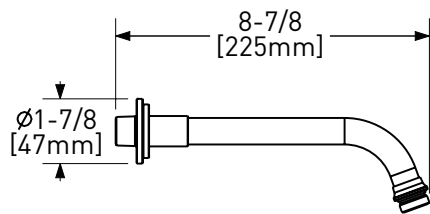
U.5237 12" Rain Showerhead



	APC	PN	STN	SEG	EG	ULB	EB
U.5237	1238	1672	1672	1857	1857	1857	1857

- 1 function
- 1.8 GPM/6.8 LPM at 80 PSI (WaterSense and CEC compliant)
- Metal construction

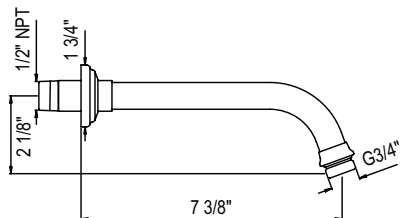
U.7AR27SA 7" Wall Mount Shower Arm



	APC	PN	STN	SEG	EG	ULB
U.7AR27SA	518	700	700	777	777	777

- Escutcheon included
- 1/2" male outlet; 1/2" male NPT inlet

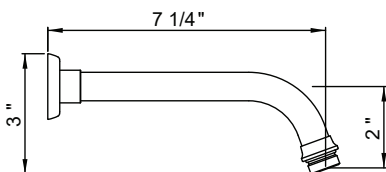
U.5362 7" Wall Mount Shower Arm



	APC	PN	STN	SEG	EG	ULB	EB
U.5362	628	848	848	942	942	942	942

- Escutcheon included
- Complements traditional designs
- 3/4" male NPSM outlet; 1/2" male NPT inlet

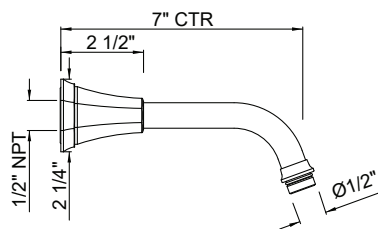
U.5882 7" Wall Mount Shower Arm



	APC	PN	STN	EG	ULB	EB
U.5882	628	848	848	942	942	942

- Escutcheon included
- Complements Holborn™ collection and other transitional designs
- 1/2" male outlet; 1/2" male NPT inlet

U.5182 7" Wall Mount Shower Arm

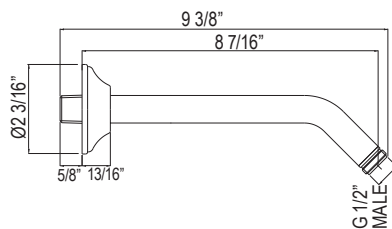


	APC	PN	EG
U.5182	698	943	1047

- Escutcheon included
- Complements Deco™ collection and other transitional designs
- 1/2" male outlet; 1/2" female NPT inlet

1440/8 9" Wall Mount Shower Arm

ROHL

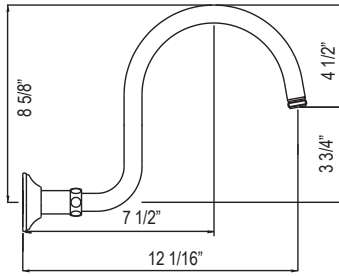


	APC	PN	STN	ULB
1440/8	208	281	281	312

- Comes with three escutcheon flanges
- Choose the one that best fits your design, recycle the others
- 1/2" male outlet; 1/2" male NPT inlet

1475/12 12" Wall Mount Shower Arm

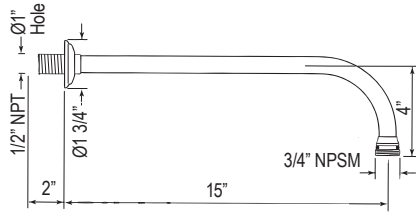
ROHL



	APC	PN	STN	ULB
1475/12	338	457	457	507

- Escutcheon included
- 1/2" male outlet; 1/2" male NPT inlet
- Modern style round escutcheon available, order ROGSCO14

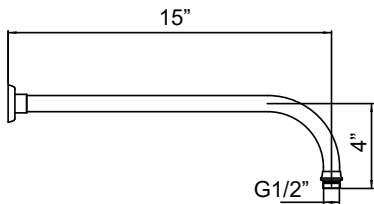
U.5384 15" Wall Mount Shower Arm



	APC	PN	STN	SEG	EG	ULB	EB
U.5384	698	943	943	1047	1047	1047	1047

- Escutcheon included
- 3/4" male NPSM outlet; 1/2" male NPT inlet
- To install 1/2" inlet showerheads, use adaptor U.5399

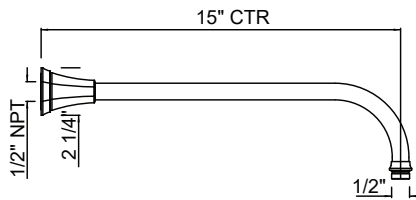
U.5884 15" Wall Mount Shower Arm



	APC	PN	STN	EG	ULB	EB
U.5884	698	943	943	1047	1047	1047

- Escutcheon included
- Complements Holborn™ collection and other transitional designs
- 1/2" male outlet; 1/2" male NPT inlet

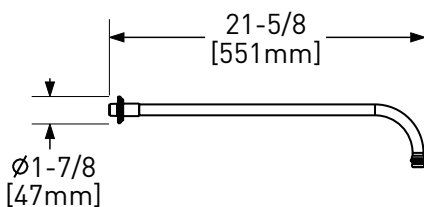
U.5184 15" Wall Mount Shower Arm



	APC	PN	EG
U.5184	748	1010	1122

- Escutcheon included
- Complements Deco™ collection and other transitional designs
- 1/2" male outlet; 1/2" male NPT inlet

U.20AR27SA 20" Wall Mount Shower Arm

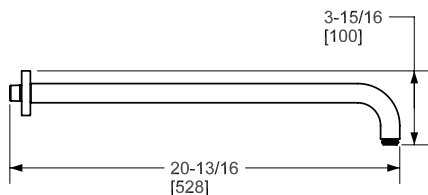
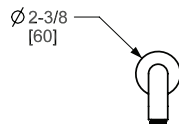


	APC	PN	STN	SEG	EG	ULB
U.20AR27SA	568	767	767	852	852	852

- Escutcheon included
- 1/2" male outlet; 1/2" male NPT inlet

200127SA 20" Wall Mount Shower Arm

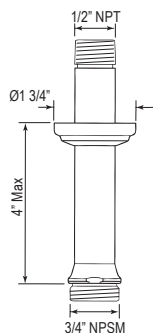
ROHL



	APC	PN	STN	ULB
200127SA	398	538	538	597

- Comes with three escutcheon flanges
- Choose the one that best fits your design, recycle the others
- 1/2" male outlet; 1/2" male NPT inlet

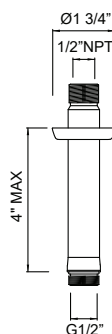
U.5388 4" Ceiling Mount Shower Arm



	APC	PN	STN	SEG	EG	ULB	EB
U.5388	268	362	362	402	402	402	402

- Escutcheon included
- 3/4" male outlet; 1/2" male NPT inlet
- To install 1/2" inlet showerheads, use adaptor U.5399

U.5888 4" Ceiling Mount Shower Arm

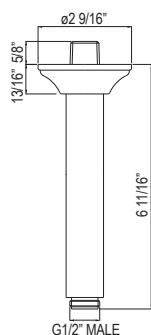


	APC	PN	STN	SEG	EG	ULB	EB
U.5888	258	349	349	387	387	387	387

- Escutcheon included
- Complements Holborn™ collection and other transitional designs
- 1/2" male outlet; 1/2" male NPT inlet
- Use U.5379 3/4" M x 1/2" F adaptor to use 3/4" showerhead assembly

1505/6 7" Ceiling Mount Shower Arm

ROHL

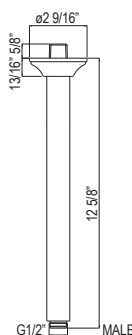


	APC	PN	STN	ULB
1505/6	208	281	281	312

- Comes with three escutcheon flanges
- Choose the one that best fits your design, recycle the others
- 1/2" male outlet; 1/2" male NPT inlet

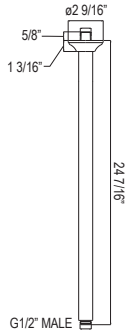
1505/12 13" Ceiling Mount Shower Arm

ROHL



	APC	PN	STN	ULB
1505/12	288	389	389	432

- Comes with three escutcheon flanges
- Choose the one that best fits your design, recycle the others
- 1/2" male outlet; 1/2" male NPT inlet

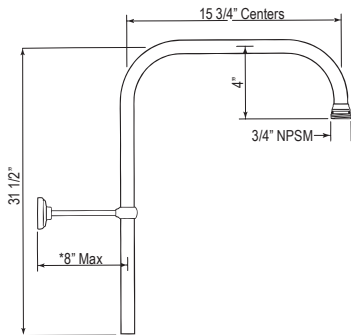


1505/24 24" Ceiling Mount Shower Arm

ROHL

	APC	PN	STN	ULB
1505/24	338	457	457	507

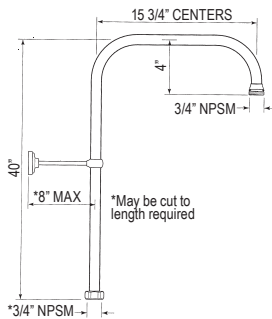
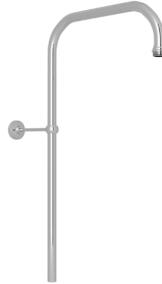
- Comes with three escutcheon flanges
- Choose the one that best fits your design, recycle the others
- 1/2" male outlet; 1/2" male NPT inlet



U.5393 31" X 15" Rigid Riser Shower Outlet

	APC	PN	STN	SEG	EG	ULB	EB
U.5393	998	1348	1348	1497	1497	1497	1497

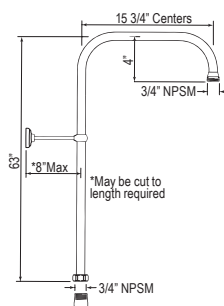
- Length can be cut down
- For use with outlet connector U.5394
- 3/4" female NPSM inlet



U.5391 40" X 15" Rigid Riser Shower Outlet

	APC	PN	STN	SEG	EG	ULB	EB
U.5391	1118	1510	1510	1677	1677	1677	1677

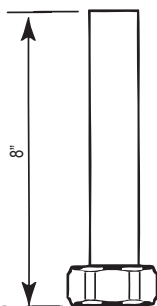
- Length can be cut down
- 3/4" female NPSM inlet



U.5381 63" X 15" Rigid Riser Shower Outlet

	APC	PN	STN	EG	ULB	EB
U.5381	1431	1932	1932	2147	2147	2147

- Length can be cut down
- Includes U.5390 connector to top outlet on U.3530L or U.3531X, U.3018LSP and U.3019X exposed tub fillers
- 3/4" female NPSM inlet



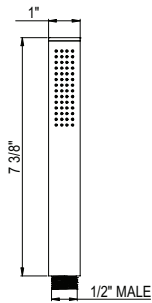
U.5394 8" Thermostatic Outlet Connector

	APC	PN	STN	SEG	EG	ULB	EB
U.5394	198	268	268	297	297	297	297

- For use with U.5783N riser diverters and U.5393 riser



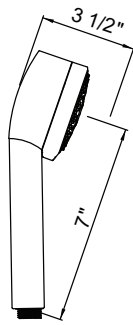
U.5825 1" Single Function Handshower



	APC	PN	STN	EG	ULB	EB
U.5825	398	538	538	597	597	597

- 1 function
- 1.8 GPM/6.8 LPM at 60 PSI (CEC compliant)
- Metal construction

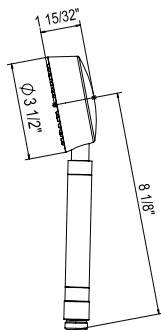
U.5810 3" 6-Function Handshower



	APC	PN	STN	EG
U.5810	678	916	916	1017

- 6 functions
- 1.8 GPM/6.8 LPM at 80 PSI (WaterSense and CEC compliant)
- Complements Holborn™ collection and other transitional designs
- Metal construction

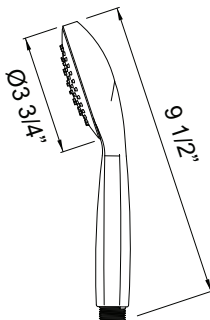
40126HS1 4" Single Function Handshower



	APC	PN	STN
40126HS1	298	403	403

- 1 function
- 1.8 GPM/6.8 LPM at 80 PSI (WaterSense and CEC compliant)

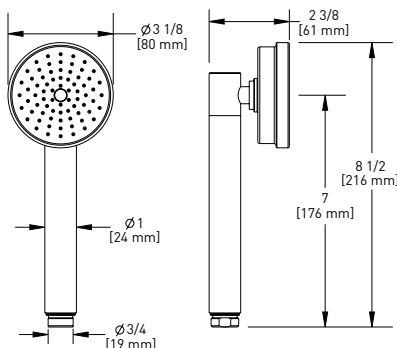
U.5815 4" Single Function Handshower



	APC	PN	STN	EG
U.5815	398	538	538	597

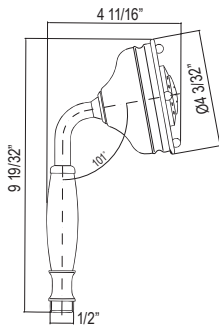
- 1 function
- 1.8 GPM/6.8 LPM at 80 PSI (WaterSense and CEC compliant)
- Metal construction

U.40226HS1 4" Single Function Handshower



	APC	PN	STN	SEG	EG	ULB
U.40226HS1	818	1105	1105	1227	1227	1227

- Finished sprayface gives a truly luxurious experience
- 1 function
- 1.8 GPM/6.8 LPM at 60 PSI (CEC compliant)
- Metal construction

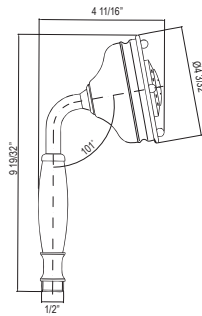


1150/8 4" 3-Function Handshower



	APC	PN	STN
1150/8	568	767	767

- White accent handshower handle
- 3 functions
- 1.8 GPM/6.8 LPM at 80 PSI (WaterSense and CEC compliant)
- Metal construction

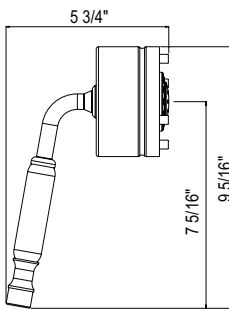


1151/8 4" 3-Function Handshower



	APC	PN	STN	ULB
1151/8	568	767	767	852

- Metal handshower handle
- 3 functions
- 1.8 GPM/6.8 LPM at 80 PSI (WaterSense and CEC compliant)
- Metal construction

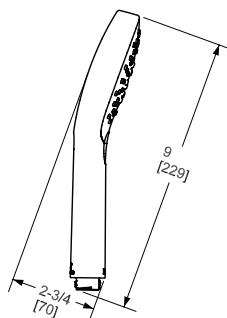


402HS5 4" 5-Function Handshower



	APC	PN	STN
402HS5	568	767	767

- 5 functions
- 1.8 GPM/6.8 LPM at 60 PSI (CEC compliant)
- Metal construction

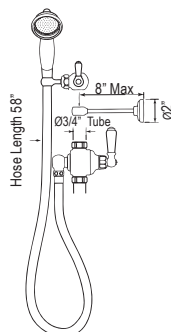


50226HS3 5" 3-Function Handshower



	APC	PN	STN
50226HS3	308	416	416

- 3 functions
- 1.8 GPM/6.8 LPM at 60 PSI (CEC compliant)

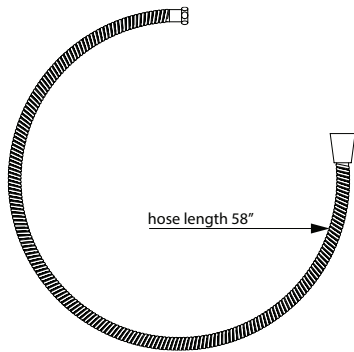


U.5373N Riser Diverter, Handshower, Handshower Holder, Hose and 8" Thermostatic Outlet



Handle	APC	PN	STN	SEG	EG	ULB	EB
U.5373N	2378	3211	3211	3567	3567	3567	3567
U.5373NLS-	2378	3211	3211	3567	3567	3567	3567

- For use with exposed thermostatic valve
- Important: Position the lever on the right with the outlet pointing down on the left
- Single-function handshower
- 1.8 GPM/6.8 LPM at 60 PSI (CEC compliant)
- Order U.5373NLS for metal handle and handshower. Priced the same.
- Metal construction



9.28385 58" Flexible Shower Hose

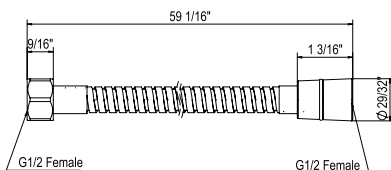


	APC	PN	STN	SEG	EG	ULB	EB
9.28385	198	268	268	297	297	297	297

- For use with handshower (sold separately)

ROHL

5927SH 59" Metal Shower Hose

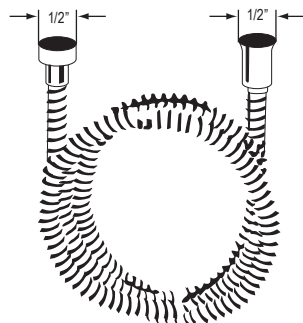


	APC	PN	STN
5927SH	158	214	214

- For use with handshower (sold separately)

ROHL

16295 59" Metal Shower Hose

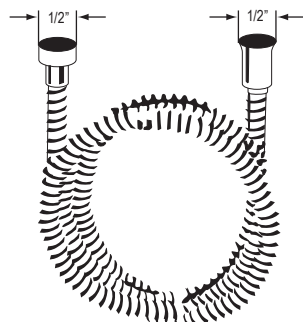


	APC	PN	STN	ULB
16295	158	214	214	237

- For use with handshower (sold separately)

ROHL

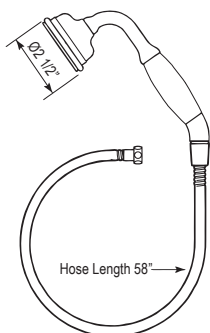
16295/79 79" Metal Shower Hose



	APC	PN	STN	ULB
16295/79	198	268	268	297

- For use with handshower (sold separately)

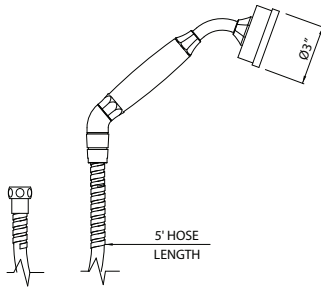
U.5387 Handshower And Hose



Handle	APC	PN	STN	SEG	EG	ULB	EB
U.5387	998	1348	1348	1497	1497	1497	1497
U.5387LS-	998	1348	1348	—	1497	1497	1497

- U.5387 comes with a porcelain handle. Order U.5387LS for metal handle, price is the same.
- 1 function
- 1.8 GPM/6.8 LPM at 60 PSI (CEC compliant)
- 58" (147.32 cm) hose
- Metal construction

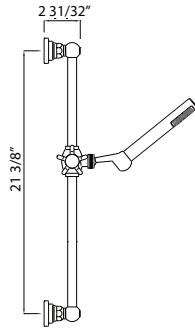
U.5195 Handshower And Hose



	APC	PN	EG	EB
U.5195	1058	1429	1587	1587

- Complements Deco™ collection and other transitional designs
- 1 function
- 1.8 GPM/6.8 LPM at 60 PSI (CEC compliant)
- 60" (152.4 cm) hose
- Metal construction

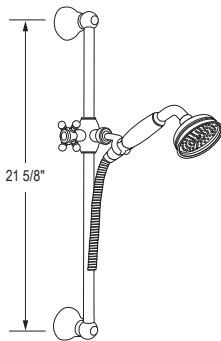
AKIT8073 Handshower Set With 21" Slide Bar and Single Function Handshower



Handle	APC	PN	STN
AKIT8073XM	1458	1969	1969

- C7135 single-function handshower
- 59" (150 cm) shower hose
- 1.8 GPM/6.8 LPM at 60 PSI (CEC compliant)
- Ø 45/64" (17.8mm) slide bar
- Complements San Giovanni™ collection and other transitional designs

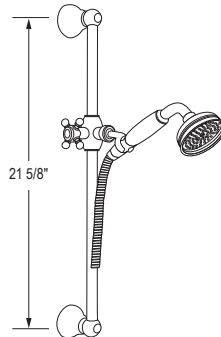
1300E Handshower Set With 22" Slide Bar and Single Function Handshower



	APC	PN	STN	ULB
1300E	1048	1415	1415	1572

- White accent insert on 1300E cross handle and handshowers
- 1100/8E single-function handshower
- 59" (150 cm) shower hose
- 1.8 GPM/6.8 LPM at 80 PSI (WaterSense and CEC compliant)
- Ø 3/4" (19mm) slide bar

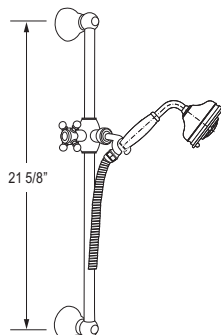
1301E Handshower Set With 22" Slide Bar and Single Function Handshower



	APC	PN	STN	ULB
1301E	1048	1415	1415	1572

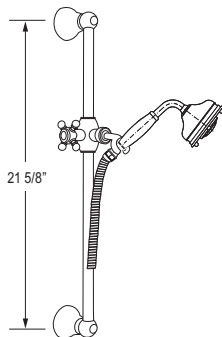
- Metal insert on 1301E cross handle and handshowers
- 1101/8E single-function handshower
- 59" (150 cm) shower hose
- 1.8 GPM/6.8 LPM at 80 PSI (WaterSense and CEC compliant)
- Ø 3/4" (19mm) slide bar

1310 Handshower Set With 22" Slide Bar and 3-Function Handshower



	APC	PN	STN
1310	1218	1645	1645

- 1150/8 3-function handshower
- 59" (150 cm) shower hose
- 1.8 GPM/6.8 LPM at 60 PSI (CEC compliant)
- Ø 3/4" (19mm) slide bar



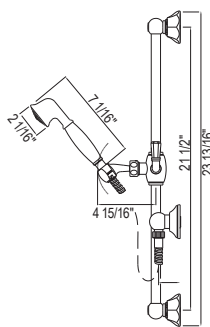
1311 Handshower Set With 22" Slide Bar and 3-Function Handshower

ROHL



	APC	PN	STN	ULB
1311	1218	1645	1645	1827

- 1151/8 3-function handshower
- 59" (150 cm) shower hose
- 1.8 GPM/6.8 LPM at 60 PSI (CEC compliant)
- Ø 3/4" (19mm) slide bar



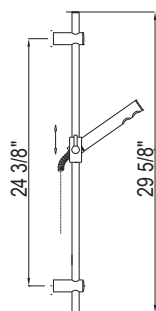
1330 Handshower Set With 24" Slide Bar and Single Function Handshower

ROHL



	APC	PN	STN	ULB
1330	1498	2023	2023	2247

- 1105/8 single-function handshower
- 59" (150 cm) shower hose
- 1.8 GPM/6.8 LPM at 80 PSI (WaterSense and CEC compliant)
- Ø 23/32" (18mm) slide bar
- Complements Palladian® collection and other transitional designs



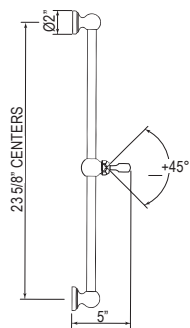
1600 Handshower Set With 30" Slide Bar and Single Function Handshower

ROHL



	APC	PN	STN
1600	768	1037	1037

- 1670/8 single-function handshower
- 59" (150 cm) shower hose
- 1.8 GPM/6.8 LPM at 80 PSI (WaterSense and CEC compliant)
- Ø 3/4" (19mm) slide bar

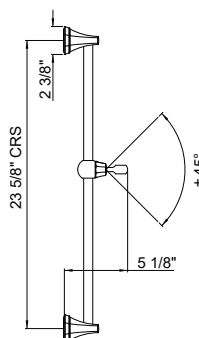


U.5540 24" Slide Bar



	APC	PN	STN	SEG	EG	ULB	EB
U.5540	1418	1915	1915	2127	2127	2127	2127

- Use with Perrin & Rowe® hoses only
- Includes both porcelain and metal lever inserts
- Ø 3/4" (19mm) slide bar

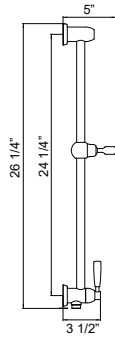
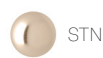


U.5140 24" Slide Bar



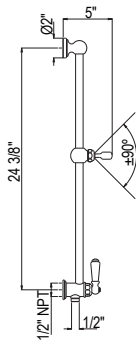
	APC	PN	EG
U.5140	1478	1996	2217

- Length can be cut down
- Use with Perrin & Rowe® hoses only
- Ø 3/4" (19mm) slide bar
- Complements Deco™ collection and other transitional designs

**U.5350 24" Slide Bar With Integrated Volume Control And Outlet**

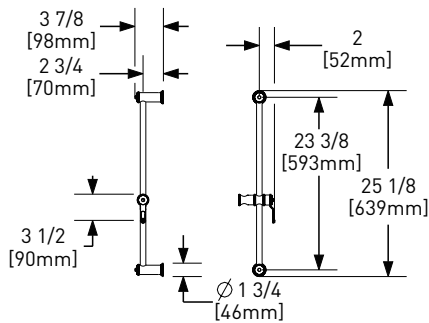
	APC	PN	STN	EG	ULB
U.5350	1778	2401	2401	2667	2667

- Length can be cut down
- Use with Perrin & Rowe® 9.28385 hoses only
- Volume control
- Ø 3/4" (19mm) slide bar
- Complements Holborn™ collection and other transitional designs
- Metal construction

**U.5535 25" Slide Bar With Integrated Volume Control And Outlet**

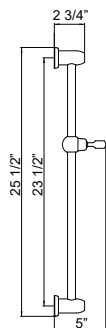
	APC	PN	STN	SEG	EG	ULB	EB
U.5535	1728	2333	2333	2592	2592	2592	2592

- Length can be cut down
- Use with Perrin & Rowe® hoses only
- Volume control
- Ø 3/4" (19mm) slide bar
- Complements Edwardian™ collection and other traditional designs

**U.AR260127SB 26" Slide Bar**

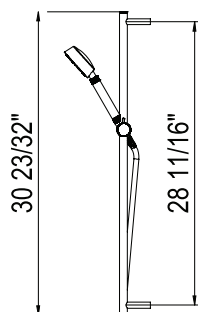
	APC	PN	STN	SEG	EG	ULB
U.AR260127SB	1178	1591	1591	1767	1767	1767

- Length can be cut down
- Ø 3/4" (19mm) slide bar
- Complements Armstrong™ collection and other transitional designs

**U.5840 26" Slide Bar**

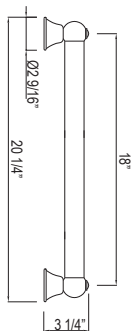
	APC	PN	STN	EG	ULB
U.5840	1418	1915	1915	2127	2127

- Length can be cut down
- Ø 3/4" (19mm) slide bar
- Complements Holborn™ collection and other transitional designs

**0126SBHS1 Handshower Set With 31" Slide Bar and Single Function Handshower**

	APC	PN	STN
0126SBHS1	768	1037	1037

- 59" (150 cm) shower hose
- 1.8 GPM/6.8 LPM at 80 PSI (WaterSense and CEC compliant)
- Ø 25/32" (19.8mm) slide bar
- Length cannot be cut down

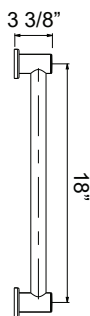


1252 18" Grab Bar



	APC	PN	STN	ULB
1252	768	1037	1037	1152

- Length cannot be cut down
- Grab Bar compliant with Americans with Disabilities Act of 1990 (ADA)
- Ø 1 3/8" (35mm) slide bar

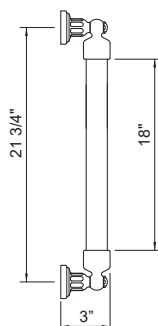


1265 18" Grab Bar



	APC	PN	STN	ULB
1265	828	1118	1118	1242

- Length cannot be cut down
- Grab Bar compliant with Americans with Disabilities Act of 1990 (ADA)
- Ø 1 3/8" (35mm) slide bar

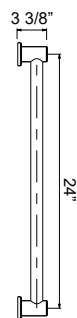


U.6907 22" Grab Bar



	APC	PN	STN	EG	ULB	EB
U.6907	928	1253	1253	1392	1392	1392

- Length cannot be cut down
- Grab Bar compliant with Americans with Disabilities Act of 1990 (ADA)
- Ø 1 1/4" (32mm) slide bar

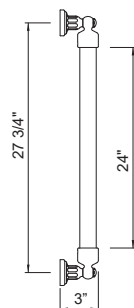


1266 24" Grab Bar



	APC	PN	STN	ULB
1266	878	1186	1186	1317

- Length cannot be cut down
- Grab Bar compliant with Americans with Disabilities Act of 1990 (ADA)
- Ø 1 3/8" (35mm) slide bar

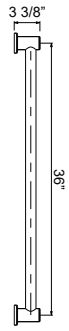
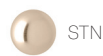


U.6911 28" Grab Bar



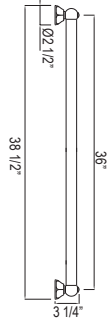
	APC	PN	STN	EG	EB
U.6911	998	1348	1348	1497	1497

- Length cannot be cut down
- Grab Bar compliant with Americans with Disabilities Act of 1990 (ADA)
- Ø 1 1/4" (32mm) slide bar

**1267 36" Grab Bar**

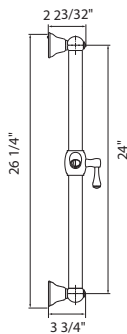
	APC	PN	STN
1267	928	1253	1253

- Length cannot be cut down
- Grab Bar compliant with Americans with Disabilities Act of 1990 (ADA)
- Ø 1 3/8" (35mm) slide bar

**1279 36" Grab Bar**

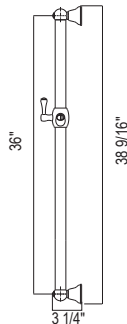
	APC	PN	STN
1279	1358	1834	1834

- Length cannot be cut down
- Grab Bar compliant with Americans with Disabilities Act of 1990 (ADA)
- Ø 1 3/8" (35mm) slide bar
- Complements Palladian® collection and other transitional designs

**1271 24" Grab Bar With Sliding Handshower Holder**

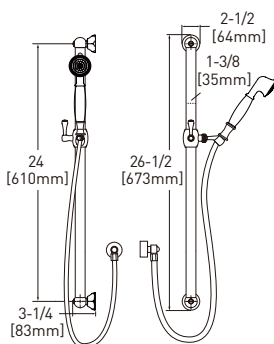
	APC	PN	STN
1271	1158	1564	1564

- Length cannot be cut down
- Grab Bar compliant with Americans with Disabilities Act of 1990 (ADA)
- Ø 1 3/8" (35mm) slide bar

**1270 36" Grab Bar With Sliding Handshower Holder**

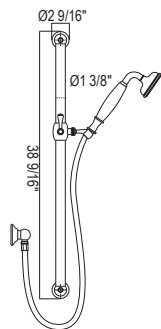
	APC	PN	STN
1270	1158	1564	1564

- Length cannot be cut down
- Grab Bar compliant with Americans with Disabilities Act of 1990 (ADA)
- Ø 1 3/8" (35mm) slide bar

**1282 Handshower Set With 24" Grab Bar and Single Function Handshower**

	APC	PN	STN
1282	1958	2644	2644

- 1105/8 single-function handshower
- 59" (150 cm) shower hose
- 1.8 GPM/6.8 LPM at 80 PSI (WaterSense and CEC compliant)
- Ø 1 3/8" (35mm) slide bar
- Grab Bar compliant with Americans with Disabilities Act of 1990 (ADA)
- Complements Palladian® collection and other transitional designs

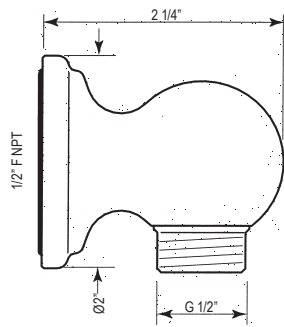


1272E Handshower Set With 39" Grab Bar and Single Function Handshower



	APC	PN	STN
1272E	1618	2185	2185

- 1101/8E single-function handshower
- 59" (150 cm) shower hose
- 1.8 GPM/6.8 LPM at 80 PSI (WaterSense and CEC compliant)
- Ø 1 3/8" (35mm) slide bar
- Grab Bar compliant with Americans with Disabilities Act of 1990 (ADA)

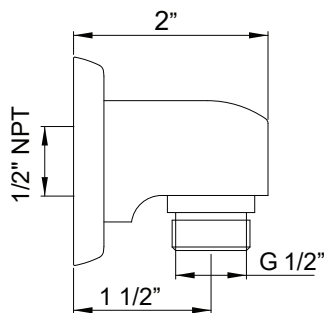


U.5546 Handshower Outlet



	APC	PN	STN	SEG	EG	ULB	EB
U.5546	288	389	389	432	432	432	432

- 1/2" male outlet; 1/2" female NPT inlet
- Metal construction

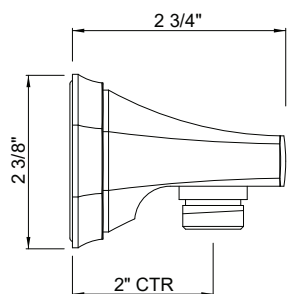


U.5846 Handshower Outlet



	APC	PN	STN	EG	ULB
U.5846	288	389	389	432	432

- Complements Holborn™ collection and other transitional designs
- 1/2" male outlet; 1/2" female NPT inlet
- Metal construction

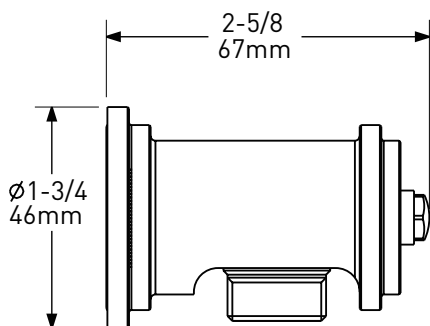


U.5146 Handshower Outlet



	APC	PN	EG
U.5146	348	470	522

- Complements Deco™ collection and other transitional designs
- 1/2" male outlet; 1/2" female NPT inlet
- Metal construction

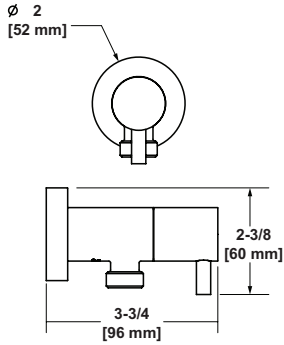


U.0227WO Handshower Outlet



	APC	PN	STN	SEG	EG	ULB
U.0227WO	268	362	362	402	402	402

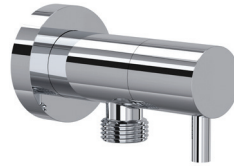
- 1/2" male outlet; 1/2" female NPT inlet
- Metal construction



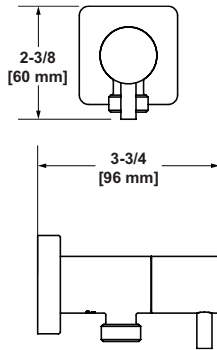
0327WO Handshower Outlet With Integrated Volume Control

ROHL

	APC	PN	STN	ULB
0327WO	268	362	362	402



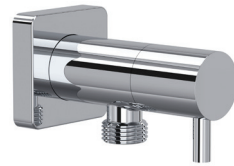
- 1/2" male outlet; 1/2" female NPT inlet
- Metal construction



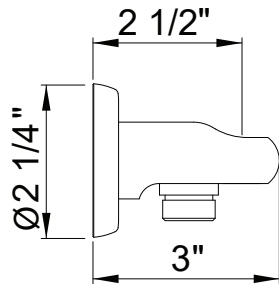
0427WO Handshower Outlet With Integrated Volume Control

ROHL

	APC	PN	STN	ULB
0427WO	268	362	362	402



- 1/2" male outlet; 1/2" female NPT inlet
- Metal construction

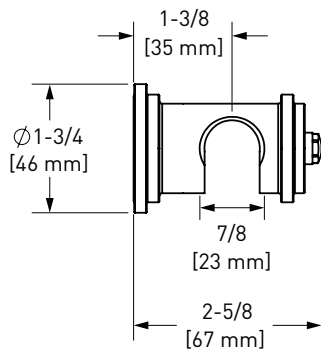


U.5302 Handshower Outlet With Holder

	APC	PN	STN	EG
U.5302	608	821	821	912



- Complements Holborn™ collection and other transitional designs
- 1/2" male outlet; 1/2" female NPT inlet
- Metal construction

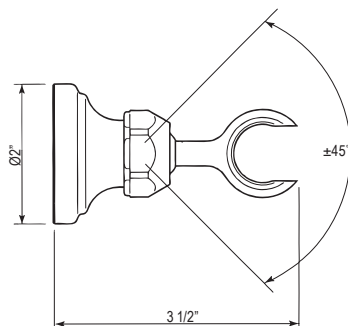


U.AR0127HH Wall Mount Handshower Holder

	APC	PN	STN	SEG	EG	ULB	EB
U.AR0127HH	608	821	821	912	912	912	912



- Complements Armstrong™ collection and other transitional designs
- Metal construction



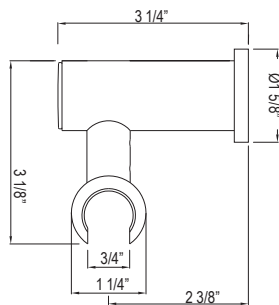
U.5544 Wall Mount Handshower Holder

	APC	PN	STN	SEG	EG	ULB	EB
U.5544	608	821	821	912	912	912	912



- Adjustable
- Metal construction

1660 Wall Mount Handshower Holder

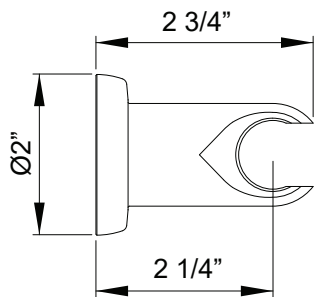


	APC	PN	STN	ULB
1660	218	295	295	327

- Adjustable
- Metal construction



U.5300 Wall Mount Handshower Holder

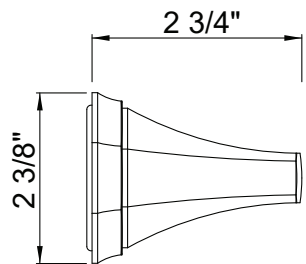


	APC	PN	STN	EG
U.5300	478	646	646	717

- Complements Holborn™ collection and other transitional designs
- Metal construction



U.5100 Wall Mount Handshower Holder

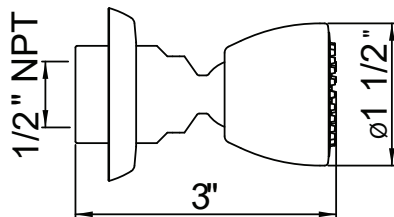


	APC	PN	EG
U.5100	628	848	942

- Complements Deco™ collection and other transitional designs
- Metal construction



U.5870 Single Function Body Spray

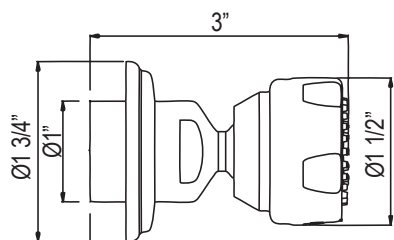


	APC	PN	STN	EG	ULB	EB
U.5870	628	848	848	942	942	942

- 1 function
- 1.3 GPM/4.9 LPM at 45 PSI (CEC compliant)
- Complements Holborn™ collection and other transitional designs



U.5570 Single Function Body Spray

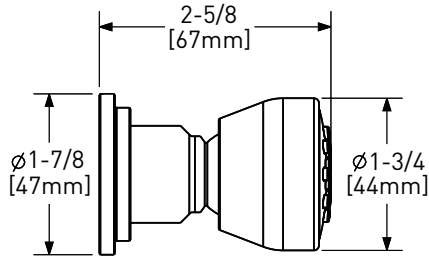


	APC	PN	STN	SEG	EG	ULB	EB
U.5570	628	848	848	942	942	942	942

- 1 function
- 1.0 GPM/3.8 LPM at 45 PSI (CEC compliant)



U.0326BS1 Single Function Body Spray

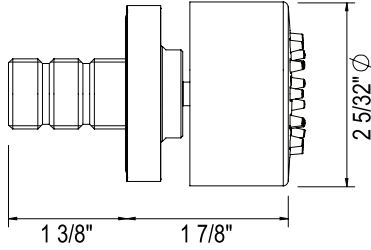


	APC	PN	STN	SEG	EG	ULB
U.0326BS1	478	646	646	717	717	717

- 1 function
- 1.8 GPM/6.8 LPM at 45 PSI (CEC compliant)

0126BS1 2-Function Body Spray

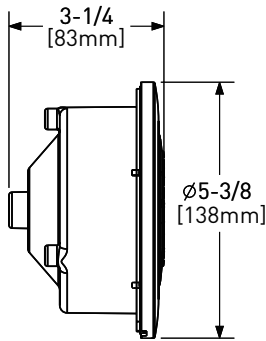
ROHL



	APC	PN	STN
0126BS1	458	619	619

- 2 functions
- 1.0 GPM/3.8 LPM at 45 PSI (CEC compliant)
- Complements Tenerife™ collection and other transitional designs

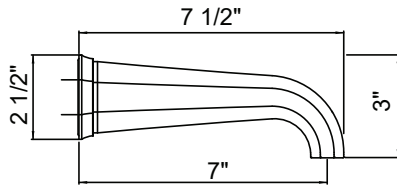
U.0226BS1 Single Function Body Spray



	APC	PN	STN	SEG	EG	ULB
U.0226BS1	1158	1564	1564	1737	1737	1737

- 1 function
- 2.0 GPM/7.6 LPM at 45 PSI
- Rough-in valve sold separately: —Order RH26BS01 rough-in valve: \$91
- Must be installed at framing stage. Do not set finish wall until rough assembly is installed.

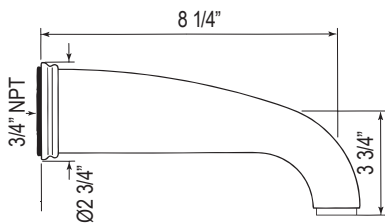
U.3183 Deco™ Wall Mount Tub Spout



	APC	PN	EG
U.3183	878	1186	1317

- Extended lead time item (12-16 weeks)
- 3/4" female NPT inlet
- Metal construction

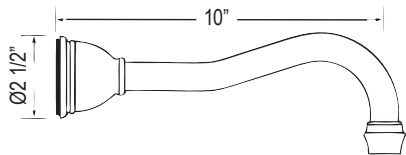
U.3805 Edwardian™ Wall Mount Tub Spout With C-Spout



	APC	PN	STN	EG	EB
U.3805	1058	1429	1429	1587	1587

- Extended lead time item (12-16 weeks)
- 3/4" female NPT inlet
- Metal construction

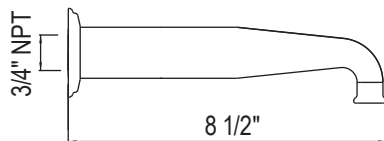
U.3785 Edwardian™ Wall Mount Tub Spout



	APC	PN	STN	EG	ULB	EB
U.3785	1058	1429	1429	1587	1587	1587

- Extended lead time item (12-16 weeks)
- 3/4" female NPT inlet
- Metal construction

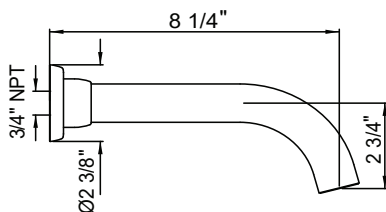
U.3585 Edwardian™ Wall Mount Tub Spout With U-Spout



	APC	PN	STN	SEG	EG	ULB	EB
U.3585	748	1010	1010	1122	1122	1122	1122

- Extended lead time item (12-16 weeks)
- 3/4" female NPT inlet
- Metal construction

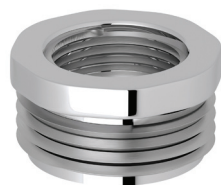
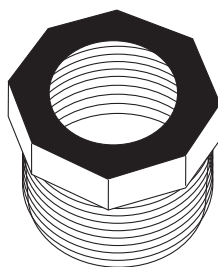
U.3330 Transitional Wall Mount Tub Spout



	APC	PN	STN	SEG	EG	ULB
U.3330	928	1253	1253	1392	1392	1392

- Extended lead time item (12-16 weeks)
- 3/4" female NPT inlet
- Metal construction

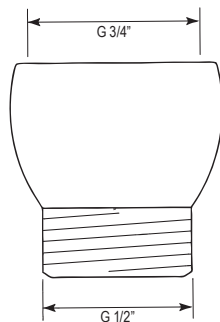
U.5379 3/4" M X 1/2" F Adaptor



	APC	PN	STN	EG	ULB	EB
U.5379	108	146	146	162	162	162

- Allows 3/4" inlet showerheads to be installed on existing 1/2" shower arms

U.5399 3/4" F X 1/2" M Adaptor

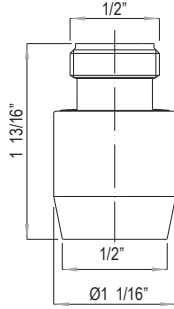


	APC	PN	STN	EG	ULB	EB
U.5399	128	173	173	192	192	192

- To connect hose to outlet of exposed tub filler or exposed thermostatic valve
- To reduce 3/4" outlet shower arm to 1/2"

V00275 Finished Vacuum Breaker

ROHL



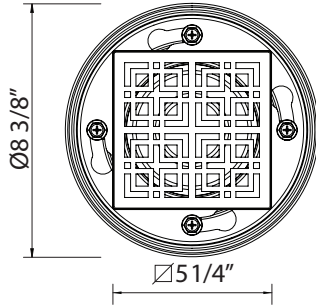
	APC	PN	STN
V00275	88	119	119

- 1/2" male x 1/2" female connectors



SDPVC2/3-3142 PVC 2" X 3" Drain Kit With 3142 Weave Decorative Cover

ROHL



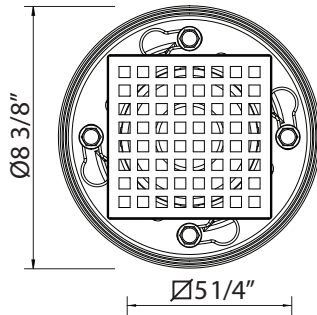
	APC	PN	STN	EB
SDPVC2/3-3142	568	767	767	852

- Accommodates 41 GPM flow rate



SDPVC2/3-3143 PVC 2" X 3" Drain Kit With 3143 Matrix Decorative Cover

ROHL



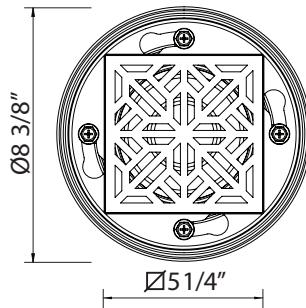
	APC	PN	STN	EB
SDPVC2/3-3143	568	767	767	852

- Accommodates 41 GPM flow rate



SDPVC2/3-3144 PVC 2" X 3" Drain Kit With 3144 Mosaic Decorative Cover

ROHL



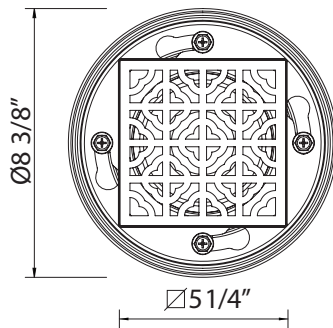
	APC	PN	STN	EB
SDPVC2/3-3144	568	767	767	852

- Accommodates 41 GPM flow rate



SDPVC2/3-3146 PVC 2" X 3" Drain Kit With 3146 Petal Decorative Cover

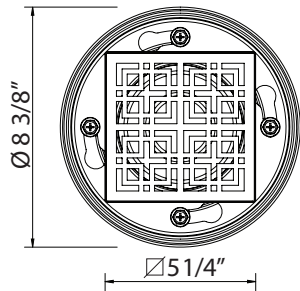
ROHL



	APC	PN	STN	EB
SDPVC2/3-3146	568	767	767	852

- Accommodates 41 GPM flow rate





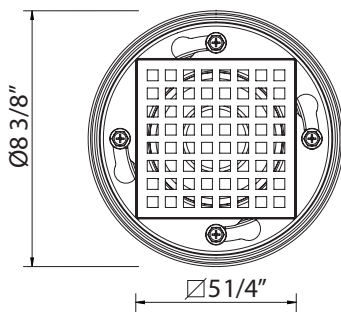
SDCI2-3142 Cast Iron 2" No Hub Drain Kit With 3142 Weave Decorative Cover

ROHL

	APC	PN	STN
SDCI2-3142	738	997	997



- Accommodates 41 GPM flow rate



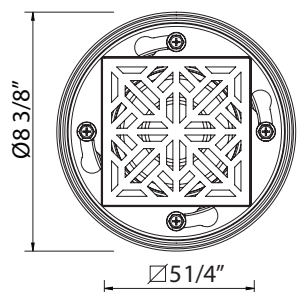
SDCI2-3143 Cast Iron 2" No Hub Drain Kit With 3143 Matrix Decorative Cover

ROHL

	APC	PN	STN
SDCI2-3143	738	997	997



- Accommodates 41 GPM flow rate



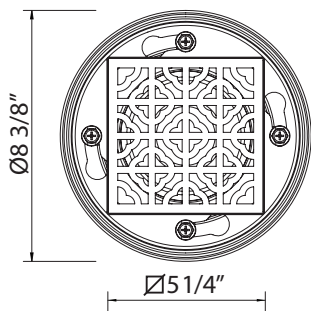
SDCI2-3144 Cast Iron 2" No Hub Drain Kit With 3144 Mosaic Decorative Cover

ROHL

	APC	PN	STN
SDCI2-3144	738	997	997



- Accommodates 41 GPM flow rate



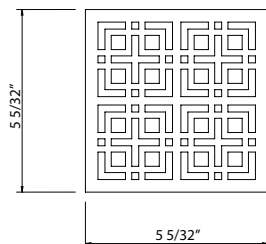
SDCI2-3146 Cast Iron 2" No Hub Drain Kit With 3146 Petal Decorative Cover

ROHL

	APC	PN	STN
SDCI2-3146	738	997	997



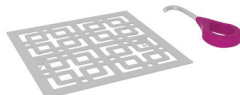
- Accommodates 41 GPM flow rate



DC3142 Weave Decorative Drain Cover

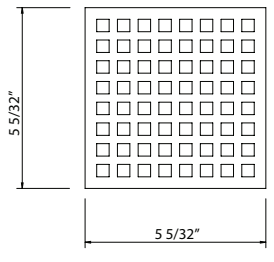
ROHL

	APC	PN	STN	EB
DC3142	308	416	416	462

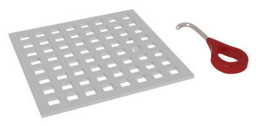


- To complete set, select from one of the below:
 - ROHL Drain Body Kits, including throat assembly: SDCI2, SDABS2/3, SDPVC2/3
 - Customer supplied drain body* and ROHL Drain Throat Assembly: DT105CI3, DT123ABS3, DT122ABS2
- * Refer to third party drain body specification sheet for appropriate size

DC3143 Matrix Decorative Drain Cover

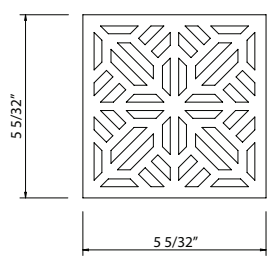


	APC	PN	STN	ULB	EB
DC3143	308	416	416	462	462

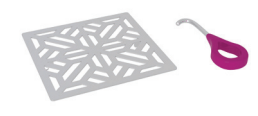


- To complete set, select from one of the below:
 - ROHL DrainBodyKits, including throat assembly: SDCI2, SDABS2/3, SDPVC2/3
 - Customer supplied drain body* and ROHL Drain Throat Assembly: DT105CI3, DT123ABS3, DT122ABS2
- * Refer to third party drain body specification sheet for appropriate size

DC3144 Mosaic Decorative Drain Cover

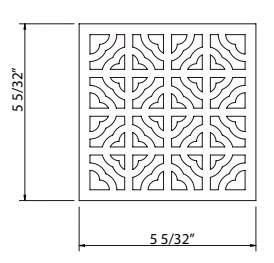


	APC	PN	STN	ULB	EB
DC3144	308	416	416	462	462

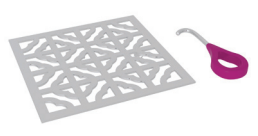


- To complete set, select from one of the below:
 - ROHL DrainBodyKits, including throat assembly: SDCI2, SDABS2/3, SDPVC2/3
 - Customer supplied drain body* and ROHL Drain Throat Assembly: DT105CI3, DT123ABS3, DT122ABS2
- * Refer to third party drain body specification sheet for appropriate size

DC3146 Petal Decorative Drain Cover

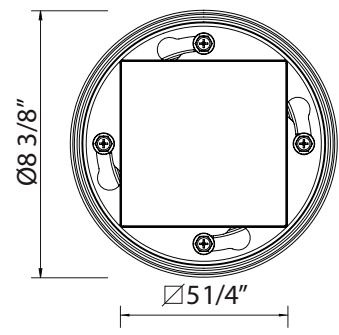


	APC	PN	STN	EB
DC3146	308	416	416	462



- To complete set, select from one of the below:
 - ROHL DrainBodyKits, including throat assembly: SDCI2, SDABS2/3, SDPVC2/3
 - Customer supplied drain body* and ROHL Drain Throat Assembly: DT105CI3, DT123ABS3, DT122ABS2
- * Refer to third party drain body specification sheet for appropriate size

SDPVC2/3 PVC 2" X 3" Drain Body Kit

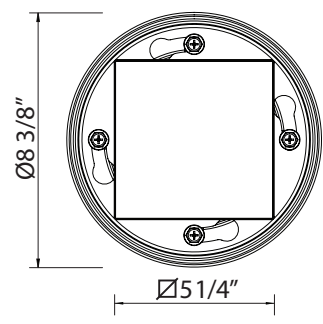


	\$
SDPVC2/3	169



- Accommodates 41 GPM flow rate
- ROHL Decorative Drain Cover required to complete set: DC3142, DC3143, DC3144, DC3146

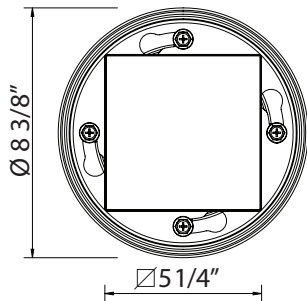
SDABS2/3 ABS 2" X 3" Drain Body Kit



	\$
SDABS2/3	191



- Accommodates 41 GPM flow rate
- ROHL Decorative Drain Cover required to complete set: DC3142, DC3143, DC3144, DC3146



SDCI2 Cast Iron 2" No Hub Drain Body Kit

ROHL

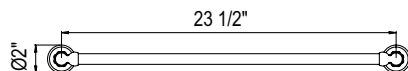


SDCI2	\$ 340
-------	--------

- Accommodates 41 GPM flow rate
- ROHL Decorative Drain Cover required to complete set: DC3142, DC3143, DC3144, DC3146

U.6913 24" Shower Door Pull Handle

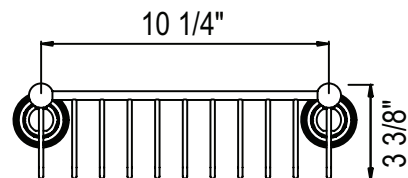
	APC	PN	STN	SEG	EG	ULB	EB
U.6913	728	983	983	1092	1092	1092	1092



- All mounting hardware included
- Brass construction
- For use with glass doors
- Can be cut to desired length

U.6952 10" Bottle Basket

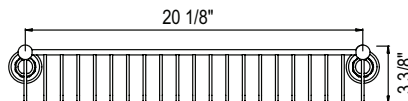
	APC	PN	STN	EG	ULB	EB
U.6952	348	470	470	522	522	522



- An elegant addition to the shower space that provides a dedicated holder for your bar soap and bottles
- 4 1/2" (11.43 cm) projection

U.6951 20" Bottle Basket

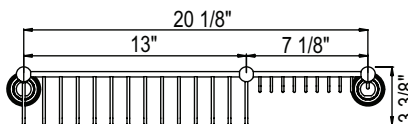
	APC	PN	STN	EG	ULB	EB
U.6951	368	497	497	552	552	552



- An elegant addition to the shower space that provides a dedicated holder for your bar soap and bottles
- 4 1/2" (11.43 cm) projection

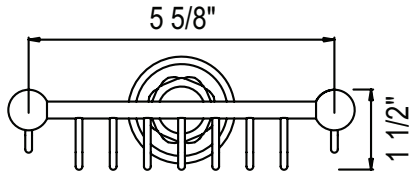
U.6962 20" Bottle Basket With Soap Tray

	APC	PN	STN	EG	ULB	EB
U.6962	458	619	619	687	687	687



- An elegant addition to the shower space that provides a dedicated holder for your bar soap and bottles
- 5 1/2" (13.97 cm) projection

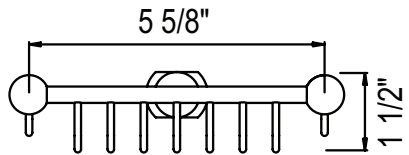
U.6967 Wall Mounted Soap Basket



	APC	PN	STN	SEG	EG	ULB	EB
U.6967	288	389	389	432	432	432	432

- An elegant addition to the shower space that provides a dedicated holder for your bar soap
- 5 1/8" (13.01 cm) projection

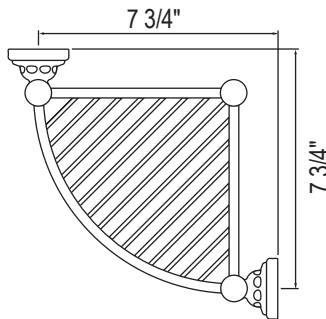
U.6968 Basket for Slide Bar, Ø Of 19mm (3/4")



	APC	PN	STN	EG	ULB	EB
U.6968	288	389	389	432	432	432

- An elegant addition to the shower space that provides a dedicated holder on your slide rail for your bar soap
- 4 3/4" (12.06 cm) projection

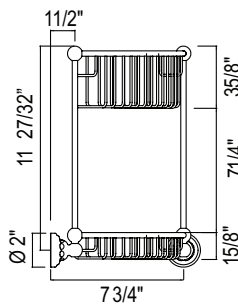
U.6916 Edwardian™ Wall Mount Corner Basket



	APC	PN	STN	SEG	EG	ULB	EB
U.6916	348	470	470	522	522	522	522

- An elegant addition to the shower space that provides a dedicated holder for your bar soap
- 7 3/4" (19.68 cm) projection

U.6959 Two Tier Corner Basket



	APC	PN	STN	EG	ULB	EB
U.6959	678	916	916	1017	1017	1017

- All mounting hardware included
- Brass construction

PRODUCT TERMS



ADA COMPLIANT

Meets Americans with Disability Act (ADA) requirements for the physically challenged. Applicable for Lever Handle only.

BOOMERANG™

BOOMERANG™ PULLDOWN TECHNOLOGY

A comprehensive system of features, with a flexible hose and retractable spray head, and design elements that improve the way your faucet functions. These features are engineered to work in unison to enhance overall functionality and usability. Naturally responds to the way you work, and the way you want your faucet to work.



CEC COMPLIANT

Item meets the California Energy Commission (CEC) guidelines for water consumption and energy usage. The purpose of this regulation is to improve the efficiency of power products, save energy, reduce gas emissions and the greenhouse effect.



DÉCOR XPRESS

Décor Xpress offers exclusive access to our top-selling world renowned collections. These select collections now have unprecedented availability with an expected ship date of two business days*. This improved service level comes at no additional cost to you. Exclusions apply.

**After order finalization, unless ship date is specified by the customer.*



TOUCHLESS FAUCETS

Single sensor touchless faucets allow you to easily turn water on and off with the wave of a hand, keeping messes and germs at bay.



WATERSENSE®

A voluntary program regulated but the Department of Energy (DOE) that is designed to save energy and conserve water by limiting the water usage on products that include, but not limited to, shower heads, hand showers and toilets. The House of Rohl® offers a variety of faucets and showering products that meets EPA WaterSense certification criteria.

EASY-GLIDE ADJUSTABLE SLIDER

Experience the epitome of luxury with our state-of-the-art mechanism, designed for effortless slider adjustment at the mere touch of a button. This cutting-edge innovation guarantees seamless and fluid movement, elevating your experience to new heights of sophistication.

QUICK CONNECT

Quick Connect System assures quick, secure and hassle-free installation for select House of Rohl kitchen and bath faucets. This solution helps save valuable time for plumbers and installers alike.

CARE AND MAINTENANCE

Do not use harsh chemicals or household cleaners with harsh chemicals or abrasives. The finishing touch of every faucet is its exquisite surface. Each finish conveys luxury through a distinctively soft, warm and genuine feel in comparison to other products made with synthetic coatings.

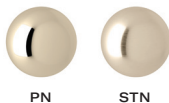


APC

POLISHED CHROME (APC) LIMITED LIFETIME WARRANTY

Cleaning: Pat dry after use to avoid hard water spots. Clean using liquid soap and water or a 50/50 solution of water and white vinegar. Do not soak the fixture in the vinegar solution or allow the vinegar solution to soak on the finish.

Maintaining: Polish by applying Flitz Metal polish and then buff out with a soft, clean cloth. Protect by applying Flitz Polish.



PN

STN

POLISHED NICKEL (PN) AND SATIN NICKEL (STN) LIMITED LIFETIME WARRANTY

Cleaning: Pat dry after use to avoid hard water spots. Clean using liquid soap and water or a 50/50 solution of water and white vinegar. Do not soak the fixture in the vinegar solution or allow the vinegar solution to soak on the finish.

Maintaining Polished Nickel: Polish by applying Flitz Metal Polish.

Maintaining Satin Nickel: Remove black or white spots, mineral deposits and tarnish marks by lightly brushing the finish using a green Scotch Brite™ pad and water. Test an area, then lightly brush. Protect using Flitz Wax. Do not use metal polish.

Both finishes have some silver as part of the composition. You may see tarnishing or spots in black or white in the finish.



EB

ENGLISH BRONZE (EB) LIMITED LIFETIME WARRANTY

Cleaning: Pat dry after use to avoid hard water spots. Clean using liquid soap and water or a 50/50 solution of water and white vinegar. Do not soak the fixture in the vinegar solution or allow the vinegar solution to soak on the finish. Do not deep clean or use abrasives.

Maintaining: Protect using Flitz Wax. Apply by patting on and patting off. Do not rub or buff.

This is an applied finish similar to Powder Coating.



EG

ENGLISH GOLD (EG) 5-YEAR LIMITED WARRANTY

Cleaning: Pat dry after use to avoid hard water spots. Clean using liquid soap and water or a 50/50 solution of water and white vinegar. Do not soak the fixture in the vinegar solution or allow the vinegar solution to soak on the finish. Do not rub or buff. For hard to clean areas, apply baking soda and lemon juice with a toothbrush.

Maintaining: Protect using Flitz Wax. Apply by patting on and patting off. Do not rub or buff.

There is 22K gold in the composition.

MAINTAINING YOUR FINISH

No matter which finish you select, here are a few simple steps to keep your kitchen and bath fixtures looking beautiful for years:



For the complete list of care and maintenance, please visit: houseofrohl.com/riobel/support/care-and-cleaning



SEG

SATIN ENGLISH GOLD (SEG)
LIMITED LIFETIME WARRANTY

Cleaning: Pat dry after use to avoid hard water spots. Clean using liquid soap and water or a 50/50 solution of water and white vinegar. Do not soak the fixture in the vinegar solution or allow the vinegar solution to soak on the finish. Do not rub or buff. For hard to clean areas, apply baking soda and lemon juice with a toothbrush.

Maintaining: Protect by using Flitz Wax. Apply by patting on and patting off. Do not rub or buff.



ULB

LIVING FINISH

UNLACQUERED BRASS (ULB)
NO WARRANTY — It is a living finish which will take on a beautiful patina over time.

Cleaning: Pat dry after use to avoid hard-water spots. Clean using liquid soap and water or a 50/50 solution of water and white vinegar. Do not soak the fixture in the vinegar solution or allow the vinegar solution to soak on the finish.

Maintaining: Protect by using a specialized wax. Apply by patting on and patting off. Do not rub or buff

This is a living finish; Unlacquered brass is a natural polished brass with no coating. Natural aging of unlacquered brass may produce black, white or even green patina appearance, which is to be expected.

OUTDOOR USE

Our products may be used outdoor. However, this voids our warranty. Use these tips for a successful installation. Polished Chrome is the most durable and is the best finish for outdoor installations. Pat dry after use to avoid hard-water spots. If minerals or salt are accumulating on the fixture, clean by applying a 50/50 solution of water and white vinegar, then pat dry. Do not soak the fixture in the vinegar solution or allow the vinegar solution to soak on the finish. Spray weekly with fresh water, wipe dry and apply a polishing product or wax to avoid hard-water spotting. In freezing temperatures, winterize fixtures by removing cartridges and draining all water or store fixtures indoors.

LIVING FINISH

WHAT TO EXPECT WHEN SELECTING THE UNLACQUERED BRASS (ULB)

UPON RECEIPT



OVER TIME



The finishing touch of every House of Rohl® product is its exquisite surface. Each finish conveys unique character and unparalleled quality through a distinctively soft, warm and genuine feel in comparison to other products made with synthetic coatings.

Unlacquered Brass is a natural polished brass with no protective coating. As a result, the brass will change with time and with exposure to its environment.

This change starts immediately. By its very nature, the Unlacquered Brass finish may not appear flawless upon initial receipt. It is important to note that the product is likely to show uneven coloring and/or blemishes straight out of the box. The type of brass used varies from component to component so there could be color variations within a given product. This is part of the charm of this finish and is to be expected.

Furthermore, solder used to assemble the parts is grey in color and can sometimes be seen in the joints. This is also to be expected due to the handcrafted nature of the product.

The Unlacquered Brass finish is considered a “living finish.” This means the character of the finish will develop and change over time, depending on how the homeowner uses and maintains the faucet, along with exposure to the environment. Therefore, no express warranty is offered on this living finish.

Unlacquered Brass is raw brass that is polished and left unlacquered for natural aging over time. It will take on a patina that will vary with exposure to sun, touch, oxygen and other airborne particles. Natural aging may produce uneven coloring; blemishes; and/or black, white or even green patina appearance—all of which are natural characteristics of unlacquered brass.

This finish should be selected for its raw and everchanging beauty—that of aging.

MAINTAINING YOUR FINISH

Cleaning tips: We suggest using a soft soap and water for everyday cleaning. Do not use abrasives, alcohol, ammonia, or other harsh chemicals.

Polishing tips: Use a brass cleaner or polishing cream to brighten the finish. This can inconsistently remove the patina/aging. After polishing, apply a liquid or spray wax. The use of wax can slow down the patina/aging process.

CONTACT US

Please know that our limited lifetime warranty covers only parts and does not cover installation, removal of our products or freight changes. However, to ensure the best possible service to our customers, we have established a procedure to request a service call.

The consumer must first contact the distributor where the merchandise was purchased. A call will not be processed if the distributor has the consumer contact us directly. In such a case we will redirect the call to the distributor. This procedure aims to improve the efficiency of service calls, since communication is sometimes more complex with customers (ex: unable to identify the item number, etc.) As a result, the wrong product or parts have been sent in the past.

The distributor must send us, by fax or email, the service-call form properly filled out with a proof of purchase. It is important to include the product code, date of purchase and as much detail as possible about the problem, as well as the malfunction diagnosis.

In the case of a more technical call, we may contact the consumer directly to give him/her the necessary information. If a part must be replaced, it will be sent along with its installation guide to the distributor, with the consumer's name shown on the box. It may also be sent directly to the customer at their own expense.

This procedure was created to improve efficiency and speed of service for our customers. Thank you for understanding.

For more information, please contact our Customer Service Department:

CONSUMER SERVICE TECHNICAL SUPPORT

Phone: 800-777-9762 **Ext:** 1

- Warranty Claims
- Troubleshooting
- Installation Support

Email: technical@houseofrohl.com

Contact us: <https://houseofrohl.com/support/contact-us/>

Self-service: <https://solutions.houseofrohl.com/>

CUSTOMER PORTAL

Phone: 800-777-9762 **Ext:** 3

Portal: <https://connect.houseofrohl.com/>

- Order Discrepancies
(ex. : Shipping/picking errors, keying errors, carriers error)
- RGA requests

Email: RGA@houseofrohl.com

CUSTOMER SERVICE

Phone: 800-777-9762 **Ext:** 2

Order entry: orders@houseofrohl.com

- New Purchase Orders
- Order updates

Customer care: customercare@houseofrohl.com

- Product inventory inquiries
- Order status inquiries

TERMS AND CONDITIONS

PRICES

Prices and terms are subject to change without notice. Customer is responsible for payment of all applicable taxes.

FREIGHT	FLAT FREIGHT FEES	
	\$1 UP TO \$3,499	\$3,500 OR GREATER
TYPES OF ORDERS		
Brass or Lavatory Sink(s) only	\$25	Free Freight Allowed (FFA)
Kitchen Sink(s) only, or combination order with other product	Free Freight Allowed (FFA)	Free Freight Allowed (FFA)
Bathtub only, or combination order with other product	Free Freight Allowed (FFA)	Free Freight Allowed (FFA)
Spare Parts only (No complete faucets or fixtures)	Free Freight Allowed (FFA)	Free Freight Allowed (FFA)

SHIPPER RESERVES THE RIGHT TO SHIP MERCHANDISE BY THE METHOD OF OUR CHOOSING

NON-INDUSTRY RELATED SHIP TO ADDRESSES, INCLUDES RESIDENTIAL DROP SHIP ORDERS:

Any order that is drop shipped to a consumer's home will be assessed a \$25 charge above all standard shipping and handling fees. \$100 additional for each bathtub. Drop Ship Fee Buy Line must be on the Original Purchase Order for the order to be processed, phone number for delivery set up required.

PAYMENT TERMS

All payments are due in 30 days from date of invoice unless agreed upon in writing by an officer of ROHL® LLC.

PRODUCT CHANGES

Delivery to the carrier constitutes delivery to customer. Any claim for loss or damage in transit should be made promptly by the customer to the carrier. Our responsibility ceases when the goods are delivered in good condition for the carrier.

CUSTOMER INCENTIVE PROGRAM (CIP) POLICIES AND PROCEDURES

- This program is for fiscal year 2026 and expires at the of 2026
- If customer requires a wholesaler during the year, the revenue generated by that acquisition will result in a restatement of the incentive program
- Rebate is calculated on invoiced/shipped purchases as of December 31, 2026
- House of Rohl® 2026 fiscal year is January 1, 2026 through December 31, 2026
- Incentives will be paid by check or credit memo in March 2027
- House of Rohl reserves the unilateral right to make amendments to these Policies and Procedures at any point

VENDOR MANAGED FUNDS PROGRAM

- Customers must have had 2025 program net sales of \$250,000 or greater to have earned 2026 Vendor Managed Funds
- Display program offers a discount off of wholesalers net price. See full merchandising program for additional details.
- A portion of the Vendor Managed Funds earned, determined by 2026 strategic priorities, are to be used for new product updates and the House of Rohl current merchandising program fixtures

DEFECTIVE RETURN POLICY

- Price credited is based on current price at time of the return
- House of Rohl pays freight to designated customer
- Defective cartridges are no longer accepted through the returns authorization process

LABOR

No labor charges of any kind will be allowed

CLAIMS

All claims of lost, damaged or incorrectly shipped materials must be made to ROHL LLC within 5 days after receipt of goods. Any claims outside this time may be rejected by ROHL LLC. Service and replacement parts may be subject to a \$25 processing fee.

CONTINUED ON NEXT PAGE

ACCOMMODATIONS AND RETURNS PROGRAM

Products may not be returned for credit or replacement without prior inspection and written authorization from House of Rohl. Customer dissatisfaction is not a reason for return.

English Bronze, Tuscan Brass, Italian Brass, English Gold, Satin English Gold, Antique Gold, Unlacquered Brass, and Pergame have acceptable variations that are normal and enhance the custom nature of each finish. Variation is not a reason for return.

Unlacquered Brass and Tuscan Brass will be final sale and non-returnable.

Non-Defective Return Guidelines—Above average return rates will be reviewed by the Regional Business Leader with the customer to partner on how returns can be mitigated.

- Product must be New In Box condition.
- Product must be listed as an active SKU in the current price book at the time of the request for return excluding any annual year-end deletions.
- Customer pays freight to designated House of Rohl facility.
- Price credited is based on original purchase order price.
- Time since ship date from House of Rohl cannot exceed 180 days for Non-Defective Returns.
- A restocking fee applies and will be deducted from the refunded purchase price as outlined below.
 - 25% = Up to 60 days since ship date from House of Rohl
 - 35% = 61 – 180 days since ship date from House of Rohl

Stock Rotation Return Guidelines—Upon stock rotation, an offsetting restocking order must follow as defined in customer programming for restocking fee to be waived. Only one stock rotation per year is permitted not to exceed 2% of prior year program net sales.

- Product must be New In Box condition.
- Product must be listed as an active SKU in the current price book at the time of the request for return excluding any annual year-end deletions.
- Customer pays freight to designated House of Rohl facility.
- Price credited is based on original purchase order price.
- Time since the ship date form House of Rohl cannot exceed 365 days for stock rotations.

Defective Return Guidelines—Defective Product refers to product that upon customer receipt or initial install had either a functional or cosmetic defect that did not meet House of Rohl's standards product specification. Defective does not refer to product that has failed during normal operation or defects which result from customer neglect or abuse. For product wear out failures please contact 1-800-777-9762.

GENERAL

The receipt or possession of this price list by anyone will not be accepted by ROHL LLC as an obligation or offer to sell any goods listed herein. All prices herein quoted supersede all prior price lists and bulletins. Existing trade terms continue in effect.

No order, contract or agreement will become an obligation until accepted in writing by ROHL LLC.

ROHL LLC does not have field service technicians. We are a sales and marketing company only. Sales Representatives do not perform in-home service. Product that is handmade and is within tolerance of published dimensions will not be considered for return.

Shaws sinks continue to be handmade since the 1897 original design. Each sink is designed with a slight pitch to the drain, so standing water is normal. Standing water is not a reason for return.

These Terms and Conditions shall be deemed to be a part of all such acceptance by ROHL LLC and shall supersede any conflicting provisions of customer's purchase order, and any conflicting terms and conditions included in a customer's purchase order are rejected and invalid. These Terms and Conditions, any sales hereunder, and any claim, dispute, or controversy between the parties arising from or relating to these Terms and Conditions, their interpretation, or the breach, termination, or validity thereof, will be governed by and construed in accordance within the laws of the State of Ohio, without regard to conflict-of-laws rule. The parties hereby agree that the United Nations Convention on Contracts for the International Sale of Goods will not apply to these Terms and Conditions and to the purchase and sale of products hereunder and any statute which would otherwise apply which implements such convention is expressly excluded.

Other than any express limited warranty granted by ROHL LLC with respect to a product, ROHL LLC disclaims all warranties and conditions, expressed or implied, statutory or otherwise, with respect to the products, including, without limitation, any implied warranty of quality, merchantability or fitness for a particular purpose, as well as warranties arising from course of dealing and usage of trade, and ROHL LLC does not represent or warrant that any product will meet the customer's requirements. Customer may not use the ROHL LLC name or any ROHL LLC trademark, trade name, service mark, logo, or copyrighted work for any purpose. The sale of products by ROHL LLC does not constitute a license, implied or otherwise, for the use of any patents or know-how of others, nor does it constitute a license, implied or otherwise, on patents or know-how of ROHL LLC.

ROHL LLC WILL NOT BE LIABLE FOR ANY LOSS, DAMAGE OR INJURY RESULTING FROM DELAY IN DELIVERY OF THE PRODUCTS OR FOR ANY FAILURE TO PERFORM DUE TO CIRCUMSTANCES BEYOND OUR CONTROL OR THE CONTROL OF OUR SUPPLIERS, INCLUDING WITHOUT LIMITATION FAILURE OR DELAY IN TRANSPORTATION, ACTS OF ANY GOVERNMENT OR ANY AGENCY OR SUBDIVISION THEREOF, JUDICIAL ACTION, LABOUR DISPUTES, FIRE, ACCIDENT, ACTS OF NATURE, SHORTAGE OF LABOUR, FUEL OR RAW MATERIAL, OR MACHINERY OR TECHNICAL FAILURE. ROHL LLC'S MAXIMUM LIABILITY, IF ANY, FOR ALL DAMAGES, INCLUDING WITHOUT LIMITATION CONTRACT DAMAGES AND DAMAGES FOR INJURIES TO PERSONS OR PROPERTY, WHETHER ARISING FROM OUR BREACH OF THESE TERMS, BREACH OF WARRANTY, NEGLIGENCE, STRICT LIABILITY OR OTHER TORT WITH RESPECT TO THE PRODUCTS, IS LIMITED TO AN AMOUNT NOT TO EXCEED THE THEN-CURRENT WHOLESALE PRICE OF THE PRODUCTS. IN NO EVENT WILL ROHL LLC BE LIABLE TO CUSTOMER FOR ANY INCIDENTAL, CONSEQUENTIAL OR SPECIAL DAMAGES, INCLUDING, WITHOUT LIMITATION, LOST REVENUES AND PROFITS, EVEN IF WE HAVE BEEN ADVISED OF THE POSSIBILITY OF SUCH DAMAGES. INCLUDING WITHOUT LIMITATION LOST REVENUES AND PROFITS, EVEN IF WE HAVE BEEN ADVISED OF THE POSSIBILITY OF SUCH DAMAGES.

EFFECTIVE: 2/2026

**MOST PRODUCTS OR PARTS CARRY “LIMITED WARRANTIES” AGAINST
MANUFACTURING DEFECTS AS DEFINED BELOW.**

Allia Fireclay Kitchen Sinks — Limited Lifetime Warranty

Stainless Steel/Stainless Copper Sinks — Limited Lifetime Warranty

Bath Sinks — Limited Lifetime Warranty

Kitchen and Bath Faucets — Limited Lifetime Warranty

Soap Dispensers — Limited Lifetime Warranty

Hot Water Dispensers — 5-year Limited Warranty on faucet,
3-year Limited Warranty on tank

Air Gaps, Coverplates, Sink Hole Covers, Air Switches — 2-year Limited Warranty

Kitchen Drains, Basket Strainers — 2-year Limited Warranty

Shower — 2-year Limited Warranty

Kitchen Wire Sink Grids — 1-year Limited Warranty

Sanitary Ware/Bath Fixture Accessories — 1-year Limited Warranty

Decorative Shower Drains — 1-year Limited Warranty, No warranty on finish

**ROHL OFFERS A FIVE-YEAR LIMITED WARRANTY ON THE FOLLOWING FINISHES ONLY: ITALIAN BRASS AND MATTE BLACK.
ROHL DOES NOT OFFER AN EXPRESS WARRANTY ON THE FOLLOWING FINISHES FOR ANY OF ITS PRODUCTS:
TUSCAN BRASS, UNLACQUERED BRASS OR SPECIAL ORDER FINISHES.**

ROHL's Promise — A “Limited Warranty” means ROHL LLC will provide free of charge, at its option, replacement part(s) or product (or a comparable alternative product) to replace those which have proven defective in materials or workmanship within the warranty period on that product or part as stated above.

ROHL LLC will not assume liability for labor expended, freight cost or damages accruing from the use of the material purchased from us. If material is defective, the limit of damage is the price of the defective material. Proof of purchase (original sales receipt) from the original consumer purchaser must be made available to ROHL LLC for all warranty claims. The warranty is not transferable and is extended solely to the original purchaser of the product, so long as the product remains in its original installation.

Warranty Exclusions and Disclaimers — This warranty is for normal domestic use only and excludes defect or injury caused by or resulting from misuse, abuse, neglect, accidental damage or improper installation.

WARRANTY, BREACH OF CONTRACT, NEGLIGENCE, STRICT TORT, OR ANY OTHER LEGAL THEORY. DAMAGES THAT ROHL WILL NOT BE RESPONSIBLE FOR INCLUDE, BUT ARE NOT LIMITED TO: LOSS OF PROFITS; LOSS OF SAVINGS OR REVENUE; LOSS OF USE OF THE PRODUCT OR ANY ASSOCIATED EQUIPMENT; COST OF CAPITAL; COST OF ANY SUBSTITUTE EQUIPMENT, FACILITIES, OR SERVICES; DOWNTIME; THE CLAIMS OF THIRD PARTIES, INCLUDING CUSTOMERS; AND DAMAGES OR INJURY TO PROPERTY.

This warranty gives you specific legal rights and you may also have other rights that vary from state to state.

In addition, the Limited Lifetime Warranty and term Limited Warranties do not apply to the replacement of components where damage is caused by normal wear and tear, including without limitation excess mineral deposits from water. As a special note, avoid all cleaning products that contain abrasives, ammonia, bleach and alcohol. They may damage the finish. Also, use only non-silicone caulking adhesive or plumbers putty for installation. Do not use lead based acidic curing adhesive or mastic when installing product. Silicone caulking may also degrade brass material. The use of Blue RTV silicone during installation will void the product warranty. Due to the harsh environment of sun, wind, rain and snow, installing ROHL products for outdoor use voids the warranty.

General Disclaimer — All warranties other than the express Limited Warranty herein contained, including but not limited to any implied warranty of merchantability or fitness for a particular purpose, are limited in duration to the applicable warranty period set forth above, or the applicable limitations period set by your state, whichever is shorter. Some states do not allow limitations on how long an implied warranty lasts and some states do not allow the exclusion or limitation of incidental or consequential damages, so the above limitations or exclusions may not apply to you.

No Other Warranties — Unless modified in a writing signed by both parties, this agreement is understood to be the complete and exclusive agreement between the parties, superseding all oral or written prior agreements and all other communications between the parties relating to the subject matter of this agreement, including statements made by salespersons. No employee of ROHL or any other party is authorized to make any warranty in addition to those made in this agreement. The buyer is warned, therefore, to check this agreement carefully to see that it correctly reflects those terms that are important to the buyer.

Foreign Outlets Online — One of the benefits of the Internet is that it has granted consumers the opportunity to learn about and purchase products from previously unknown foreign companies. Unfortunately, some foreign distributors who sell the foreign versions of ROHL's products have promoted these products for shipment to the United States. Though prices may look appealing, these products are not designed to be installed in American homes and significant problems may result. ROHL uses domestic distributors to ensure that its products meet American plumbing installation standards and have American plumbing code approvals. ROHL will no service, warrant, nor provide customer support for product purchased from foreign distributors.

Commercial Limited Warranty — ROHL warrants its products installed in a commercial application to be free from manufacturing defects for a period of one (1) year from the date of acquisition by original owner. IN COMMERCIAL INSTALLATIONS, THE ONE-YEAR LIMITED WARRANTY IS IN LIEU OF ALL OTHER WARRANTIES, EXPRESS OR IMPLIED, INCLUDING BUT NOT LIMITED TO THE IMPLIED WARRANTIES OF MERCHANTABILITY AND FITNESS FOR A PARTICULAR PURPOSE.

**MOST PRODUCTS OR PARTS CARRY “LIMITED WARRANTIES” AGAINST
MANUFACTURING DEFECTS AS DEFINED BELOW.**

Kitchen and Bath — Limited Lifetime Warranty

Soap Dispensers — Limited Lifetime Warranty

Air Gaps, Coverplates, Sink Hole Covers, Air Switches — 2-year Limited Warranty

Hot Water Faucets — 5-year Limited Warranty on faucet, 3-year Limited Warranty on tank

Shower — 2-year Limited Warranty

Decorative Shower Drains — 1-year Limited Warranty, No warranty on finish

**WE OFFER A FIVE-YEAR LIMITED WARRANTY ON THE FOLLOWING FINISHES ONLY: ENGLISH GOLD AND SATIN ENGLISH GOLD.
WE DO NOT OFFER AN EXPRESS WARRANTY ON THE FOLLOWING FINISHES FOR ANY OF ITS PRODUCTS: UNLACQUERED BRASS**

ROHL's Promise — A “Limited Warranty” means ROHL LLC will provide free of charge, at its option, replacement part(s) or product (or a comparable alternative product) to replace those which have proven defective in materials or workmanship within the warranty period on that product or part as stated above.

ROHL LLC will not assume liability for labor expended, freight cost or damages accruing from the use of the material purchased from us. If material is defective, the limit of damage is the price of the defective material. Proof of purchase (original sales receipt) from the original consumer purchaser must be made available to ROHL LLC for all warranty claims. The warranty is not transferable and is extended solely to the original purchaser of the product, so long as the product remains in its original installation.

Warranty Exclusions and Disclaimers — This warranty is for normal domestic use only and excludes defect or injury caused by or resulting from misuse, abuse, neglect, accidental damage or improper installation.

WARRANTY, BREACH OF CONTRACT, NEGLIGENCE, STRICT TORT, OR ANY OTHER LEGAL THEORY. DAMAGES THAT ROHL WILL NOT BE RESPONSIBLE FOR INCLUDE, BUT ARE NOT LIMITED TO: LOSS OF PROFITS; LOSS OF SAVINGS OR REVENUE; LOSS OF USE OF THE PRODUCT OR ANY ASSOCIATED EQUIPMENT; COST OF CAPITAL; COST OF ANY SUBSTITUTE EQUIPMENT, FACILITIES, OR SERVICES; DOWNTIME; THE CLAIMS OF THIRD PARTIES, INCLUDING CUSTOMERS; AND DAMAGES OR INJURY TO PROPERTY.

This warranty gives you specific legal rights and you may also have other rights that vary from state to state.

In addition, the Limited Lifetime Warranty and term Limited Warranties do not apply to the replacement of components where damage is caused by normal wear and tear, including without limitation excess mineral deposits from water. As a special note, avoid all cleaning products that contain abrasives, ammonia, bleach and alcohol. They may damage the finish. Also, use only non-silicone caulking adhesive or plumbers putty for installation. Do not use lead based acidic curing adhesive or mastic when installing product. Silicone caulking may also degrade brass material. The use of Blue RTV silicone during installation will void the product warranty. Due to the harsh environment of sun, wind, rain and snow, installing ROHL products for outdoor use voids the warranty.

General Disclaimer — All warranties other than the express Limited Warranty herein contained, including but not limited to any implied warranty of merchantability or fitness for a particular purpose, are limited in duration to the applicable warranty period set forth above, or the applicable limitations period set by your state, whichever is shorter. Some states do not allow limitations on how long an implied warranty lasts and some states do not allow the exclusion or limitation of incidental or consequential damages, so the above limitations or exclusions may not apply to you.

No Other Warranties — Unless modified in a writing signed by both parties, this agreement is understood to be the complete and exclusive agreement between the parties, superseding all oral or written prior agreements and all other communications between the parties relating to the subject matter of this agreement, including statements made by salespersons. No employee of ROHL or any other party is authorized to make any warranty in addition to those made in this agreement. The buyer is warned, therefore, to check this agreement carefully to see that it correctly reflects those terms that are important to the buyer.

Foreign Outlets Online — One of the benefits of the Internet is that it has granted consumers the opportunity to learn about and purchase products from previously unknown foreign companies. Unfortunately, some foreign distributors who sell the foreign versions of ROHL's products have promoted these products for shipment to the United States. Though prices may look appealing, these products are not designed to be installed in American homes and significant problems may result. ROHL uses domestic distributors to ensure that its products meet American plumbing installation standards and have American plumbing code approvals. ROHL will no service, warrant, nor provide customer support for product purchased from foreign distributors.

Commercial Limited Warranty — ROHL warrants its products installed in a commercial application to be free from manufacturing defects for a period of one (1) year from the date of acquisition by original owner. IN COMMERCIAL INSTALLATIONS, THE ONE-YEAR LIMITED WARRANTY IS IN LIEU OF ALL OTHER WARRANTIES, EXPRESS OR IMPLIED, INCLUDING BUT NOT LIMITED TO THE IMPLIED WARRANTIES OF MERCHANTABILITY AND FITNESS FOR A PARTICULAR PURPOSE.



THE STORY OF A LIFE
WELL CRAFTED™

HOUSEOFROHL.COM
EMTEK.COM
SCHAUBANDCOMPANY.COM

Riobel

PERRIN & ROWE
LONDON



victoria ⊕ albert®

ROHL

Schaub

EMTEK.

@HOUSEOFROHL
@EMTEK_PRODUCTS
@SCHAUBHARDWARE



House of Rohl | 800.777.9762
EMTEK & Schaub | 800.777.9762

LIT-0003